



US00D713011S

(12) **United States Design Patent**
Schoenherr et al.

(10) **Patent No.:** **US D713,011 S**
(45) **Date of Patent:** **** Sep. 9, 2014**

(54) **FAUCET HANDLE**

(71) Applicant: **Hansgrohe SE**, Schiltach (DE)
(72) Inventors: **Tom Schoenherr**, Stuttgart (DE); **Ralf Kittmann**, Stuttgart (DE)

(73) Assignee: **Hansgrohe SE**, Schiltach (DE)

(**) Term: **14 Years**

(21) Appl. No.: **29/467,787**

(22) Filed: **Sep. 24, 2013**

(30) **Foreign Application Priority Data**

Mar. 27, 2013 (EM) 001365969

(51) **LOC (10) Cl.** **23-01**

(52) **U.S. Cl.**
USPC **D23/252**

(58) **Field of Classification Search**
USPC D23/238, 241-243, 249-250, 252, 245;
4/675-678; 137/801; D7/398

See application file for complete search history.

(56) **References Cited**

U.S. PATENT DOCUMENTS

D368,765 S * 4/1996 Gottwald D23/252
D532,279 S 11/2006 Bouroullec et al.
D538,896 S * 3/2007 Yang D23/252
D543,827 S 6/2007 Citterio
D674,054 S 1/2013 Lord

FOREIGN PATENT DOCUMENTS

EM 002105056-0006 9/2012

* cited by examiner

Primary Examiner — Robert Delehanty

(74) *Attorney, Agent, or Firm* — Lora J. Graentzdoerffer

(57) **CLAIM**

The ornamental design for a faucet handle, as shown and described.

DESCRIPTION

FIG. 1 is a perspective view of a faucet handle showing our design;
FIG. 2 is a front elevational view thereof;
FIG. 3 is a rear elevational view thereof;
FIG. 4 is a left side elevational view thereof;
FIG. 5 is a right side elevational view thereof;
FIG. 6 is a top plan view thereof; and,
FIG. 7 is a bottom plan view thereof.

1 Claim, 7 Drawing Sheets

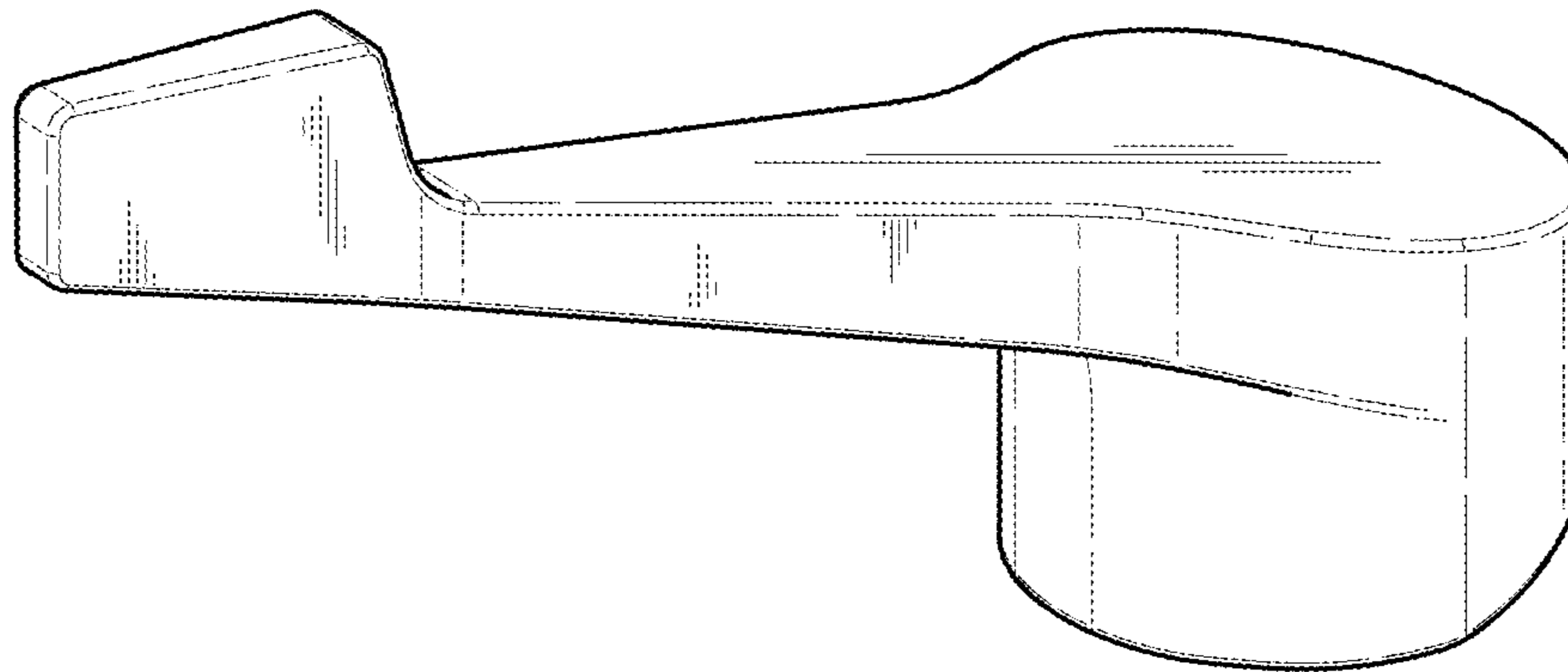


FIG. 1

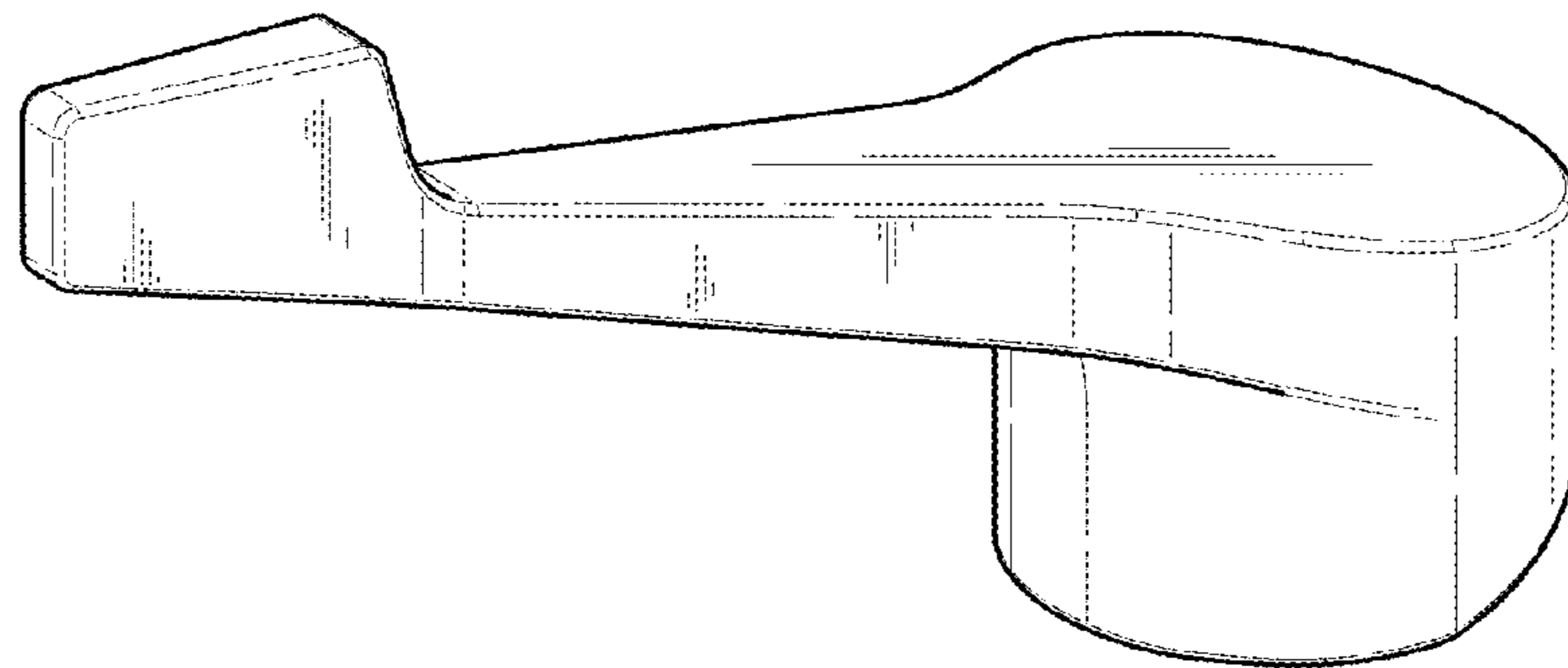


FIG. 2

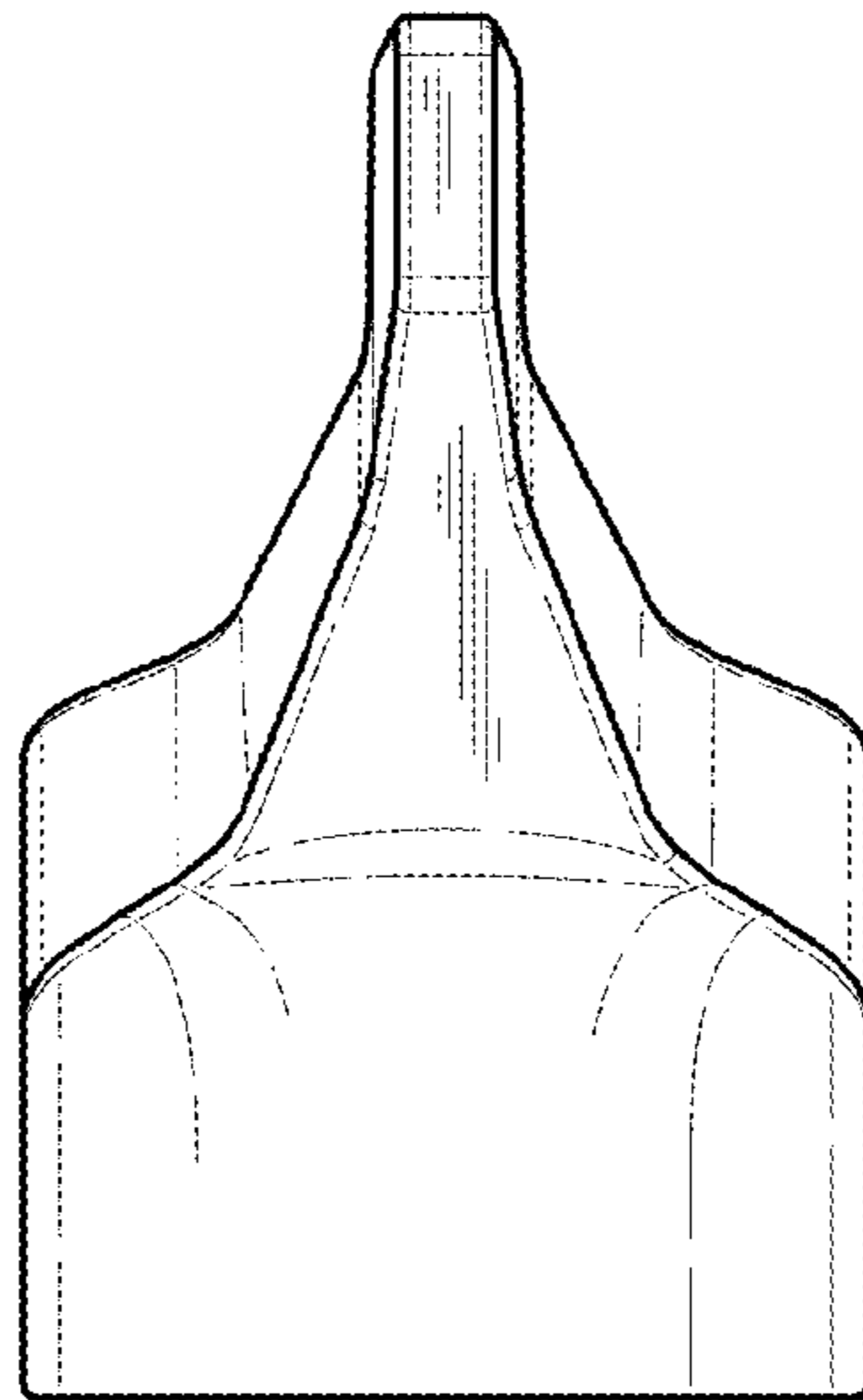


FIG. 3

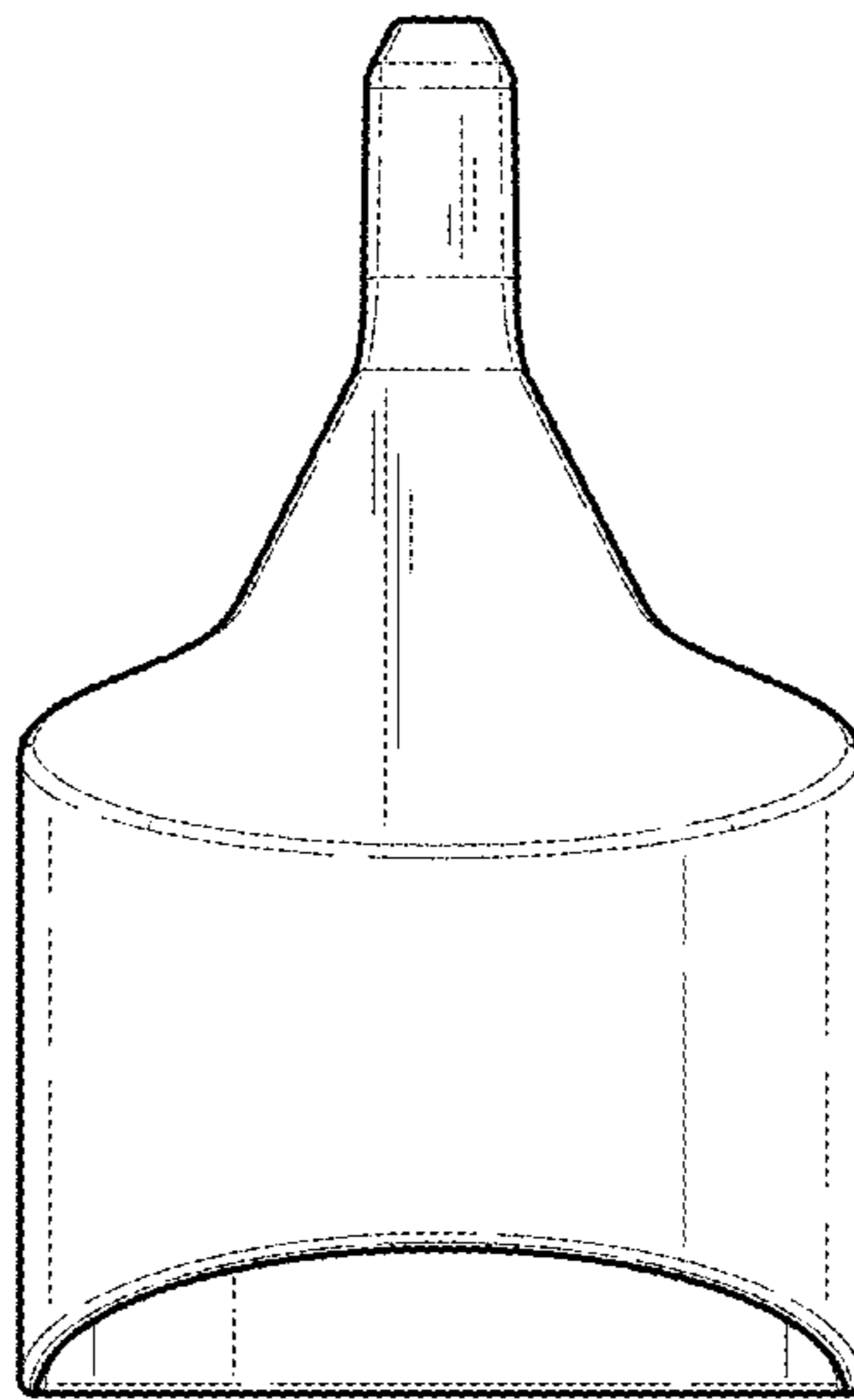


FIG. 4

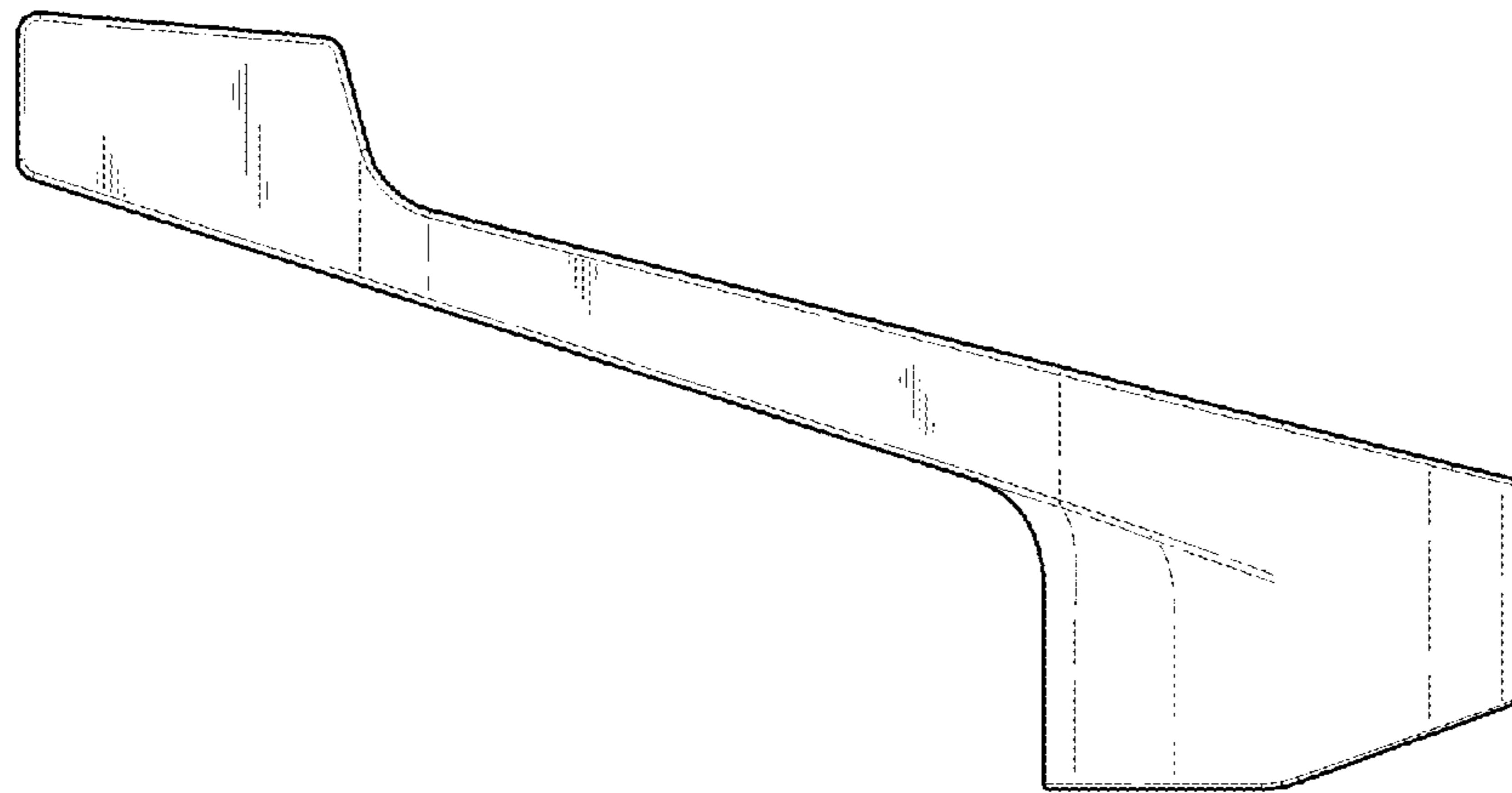


FIG. 5

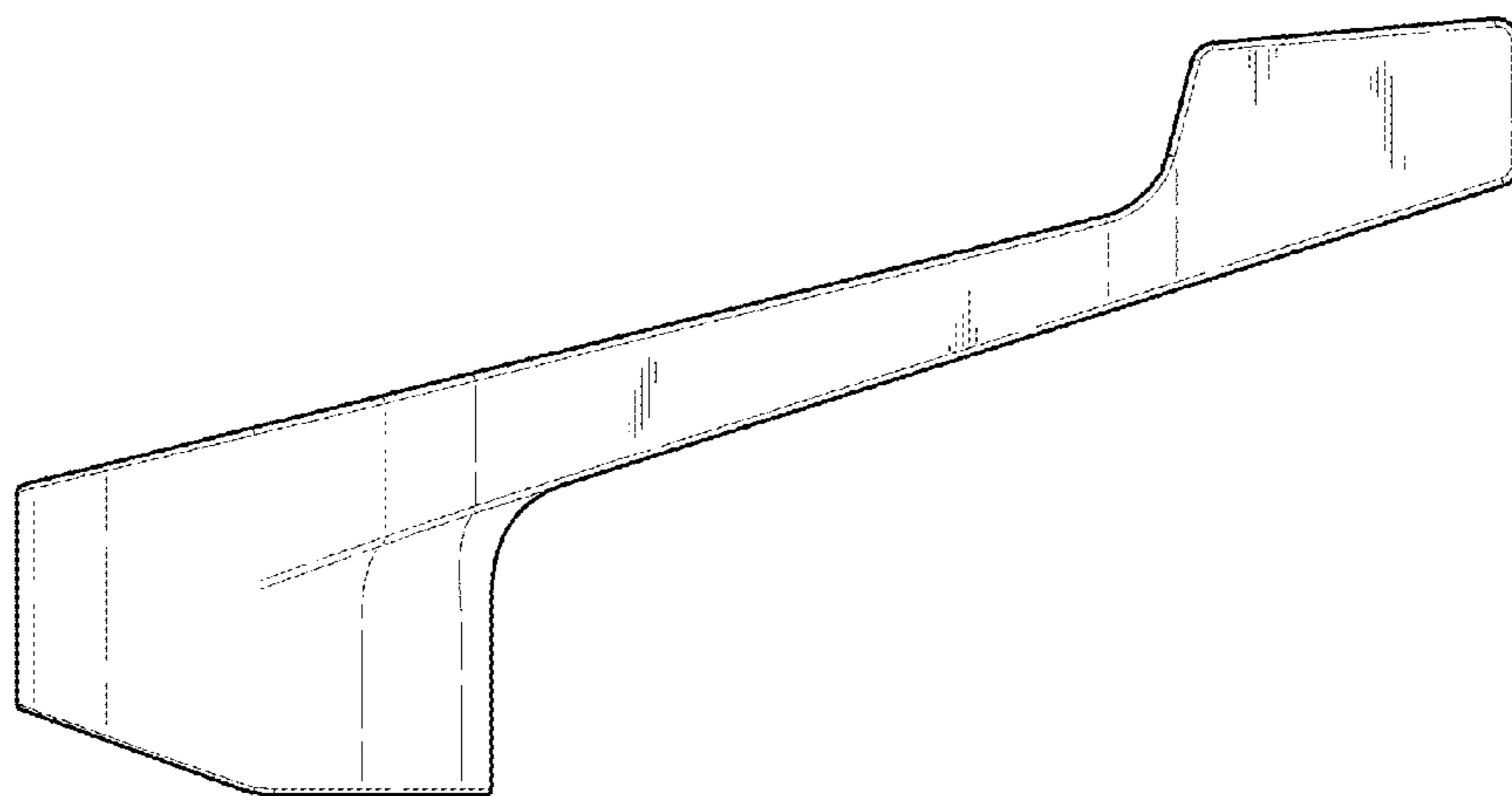


FIG. 6

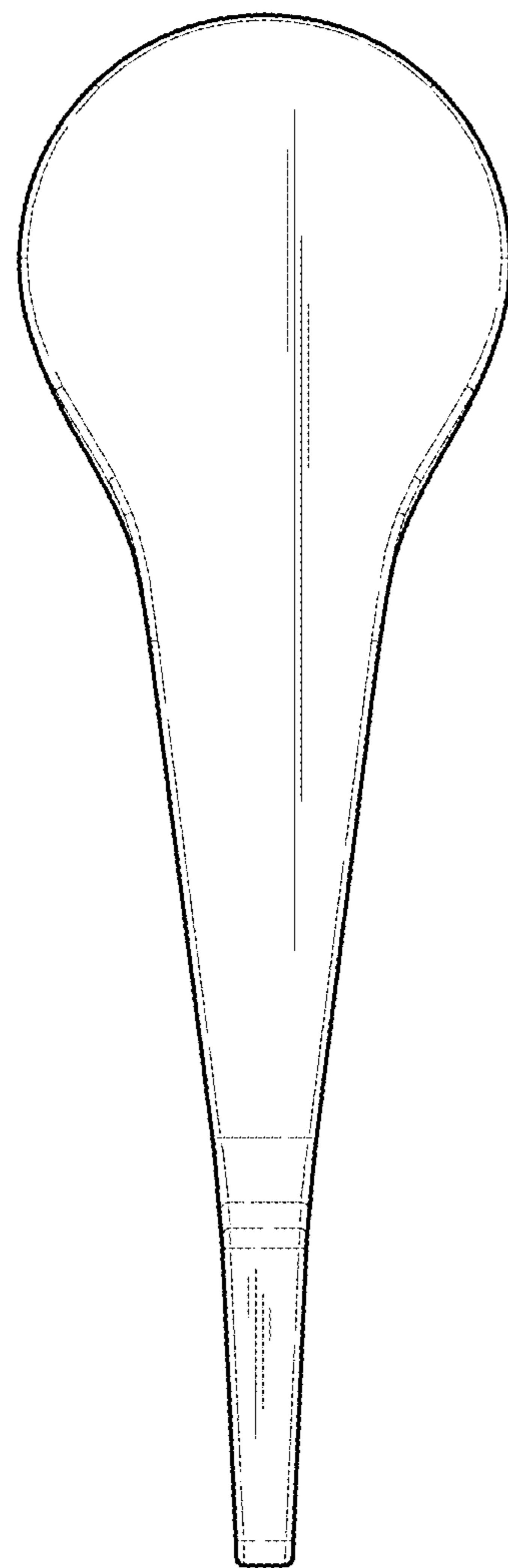


FIG. 7

