



US00D713010S

(12) **United States Design Patent**
Sada et al.

(10) **Patent No.:** **US D713,010 S**

(45) **Date of Patent:** **** Sep. 9, 2014**

(54) **CONDENSATE OVERFLOW DETECTION DEVICE**

(56) **References Cited**

U.S. PATENT DOCUMENTS

(71) Applicants: **Jonathan M. Sada**, Lawrenceville, GA
(US); **Keith H. Platt**, Snellville, GA
(US)

D416,076 S *	11/1999	Okitsu	D23/235
D562,436 S *	2/2008	Kato et al.	D23/233
D603,015 S *	10/2009	Matsumura	D23/233
D603,016 S *	10/2009	Matsumura	D23/233
D615,618 S *	5/2010	Someya	D23/233
D622,350 S *	8/2010	Gramegna et al.	D23/233
D637,270 S *	5/2011	Nicolia et al.	D23/235
D677,363 S *	3/2013	Norlander et al.	D23/233
D691,701 S *	10/2013	Iranyi et al.	D23/233
D691,702 S *	10/2013	Iranyi et al.	D23/233
D706,395 S *	6/2014	Opfer et al.	D23/233

(72) Inventors: **Jonathan M. Sada**, Lawrenceville, GA
(US); **Keith H. Platt**, Snellville, GA
(US)

* cited by examiner

(73) Assignee: **DiversiTech Corporation**, Duluth, GA
(US)

Primary Examiner — Cynthia Ramirez

(74) *Attorney, Agent, or Firm* — Bryan W. Bockhop;
Bockhop & Associates, LLC

(**) Term: **14 Years**

(57) **CLAIM**

The ornamental design for a condensate overflow detection device, as shown and described.

(21) Appl. No.: **29/465,482**

DESCRIPTION

(22) Filed: **Aug. 28, 2013**

(51) **LOC (10) Cl.** **23-01**

(52) **U.S. Cl.**
USPC **D23/249**

(58) **Field of Classification Search**

CPC F15B 13/0402; F15B 13/0431; F15B
13/043; F15B 13/0857; F16K 31/426; F16K
31/0655; F16K 31/0658

USPC D23/233–234, 244–249; 137/625.64,
137/505, 505.42, 884, 116.3; 251/129.15,
251/288, 337

FIG. 1 is an overhead isometric view of the front, top and side of a condensate overflow detection device showing my design.

FIG. 2 is a top view thereof.

FIG. 3 is a bottom view thereof.

FIG. 4 is a left side view thereof.

FIG. 5 is a front view thereof.

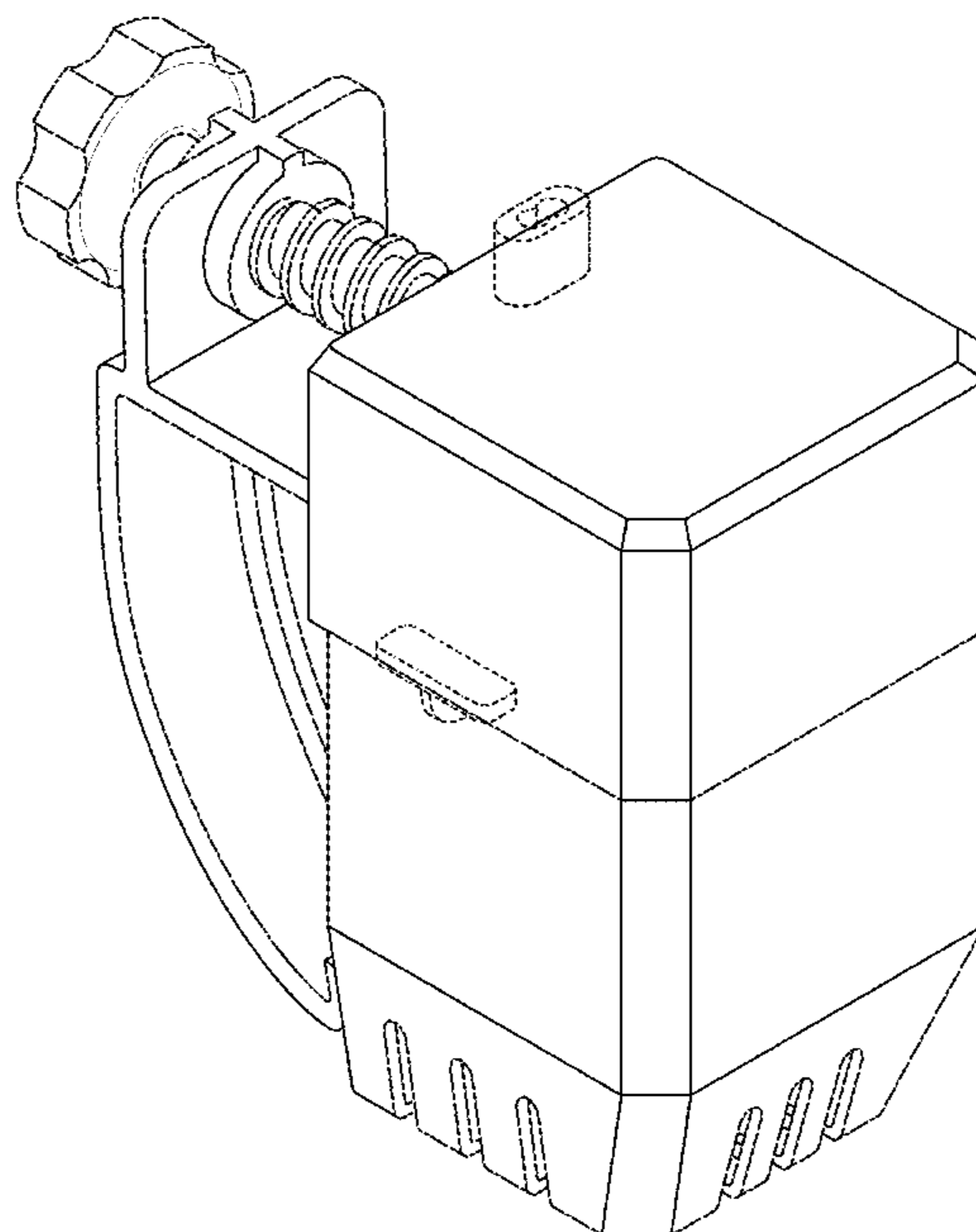
FIG. 6 is a right side view thereof; and,

FIG. 7 is a rear view thereof.

The broken lines shown are for illustrative purposes only and form no part of the claimed design.

See application file for complete search history.

1 Claim, 4 Drawing Sheets



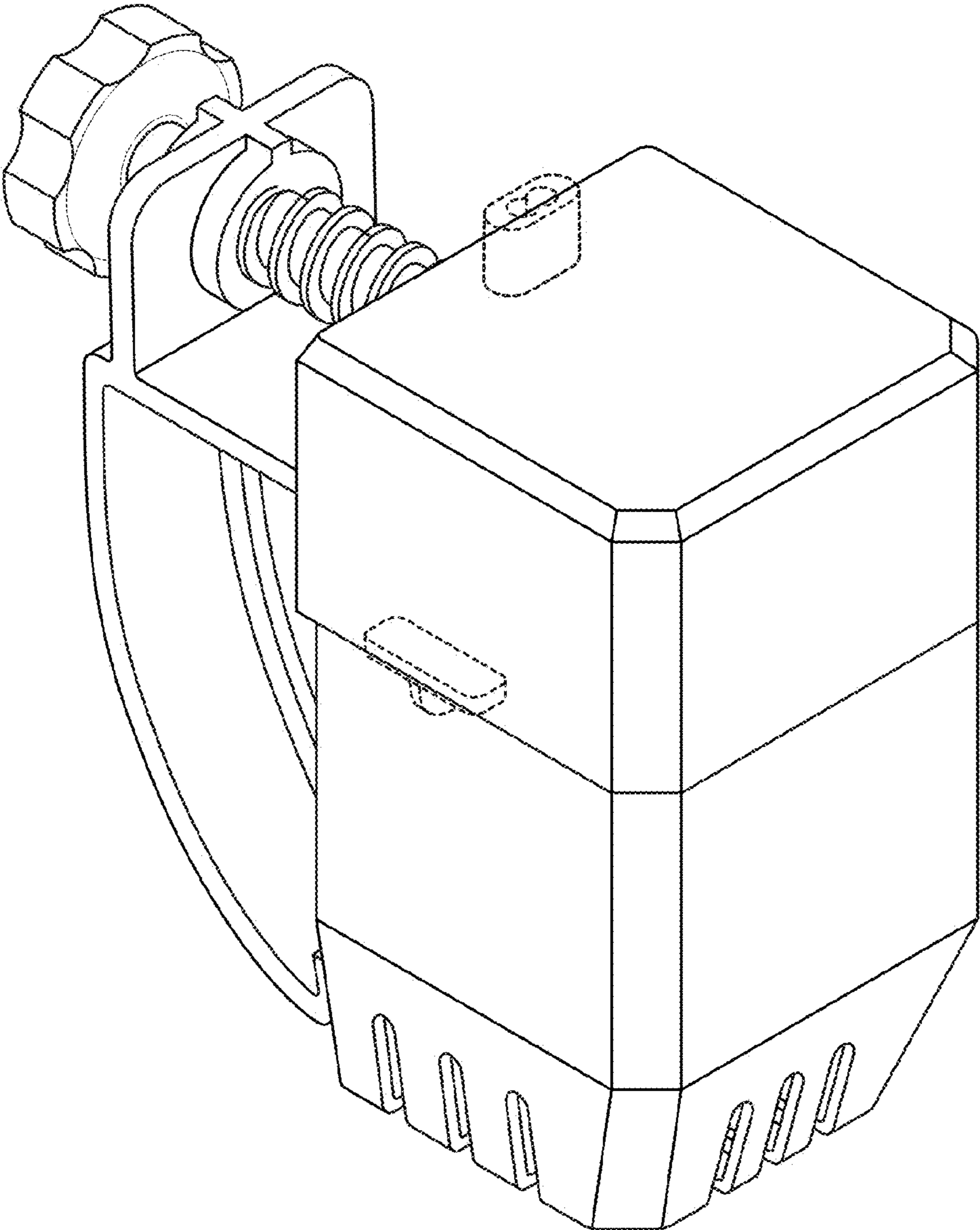


FIG. 1

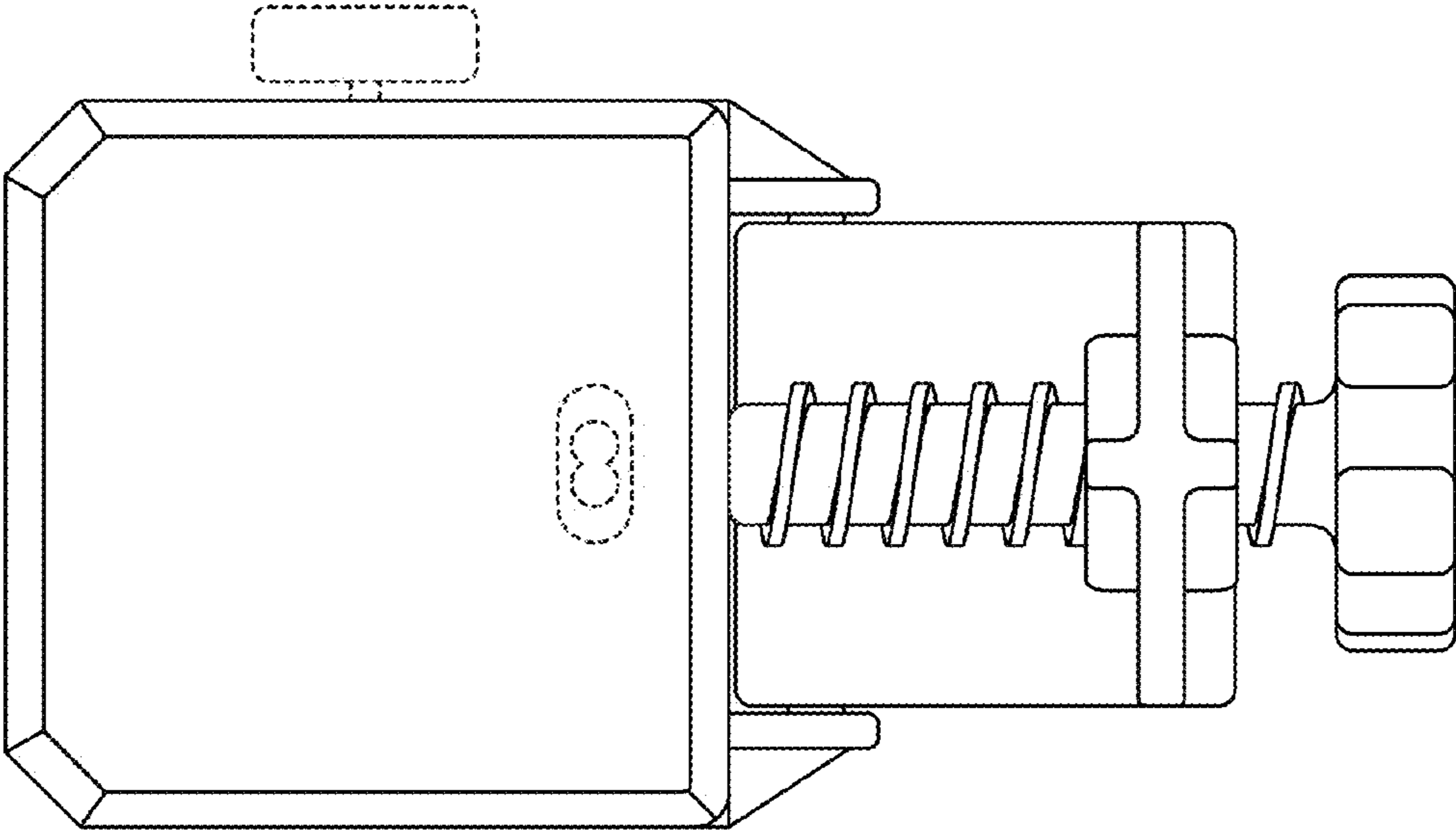


FIG. 2

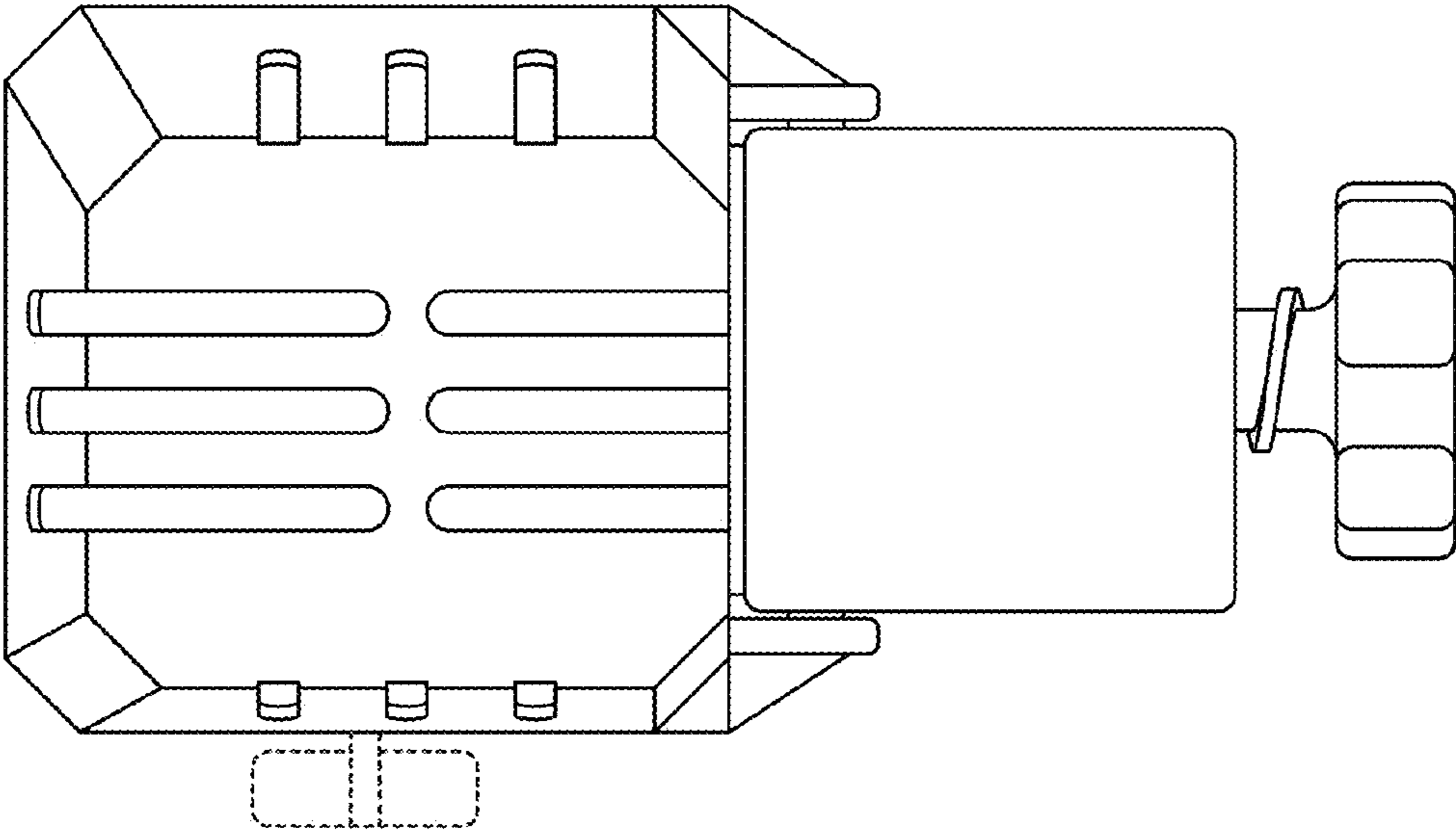


FIG. 3

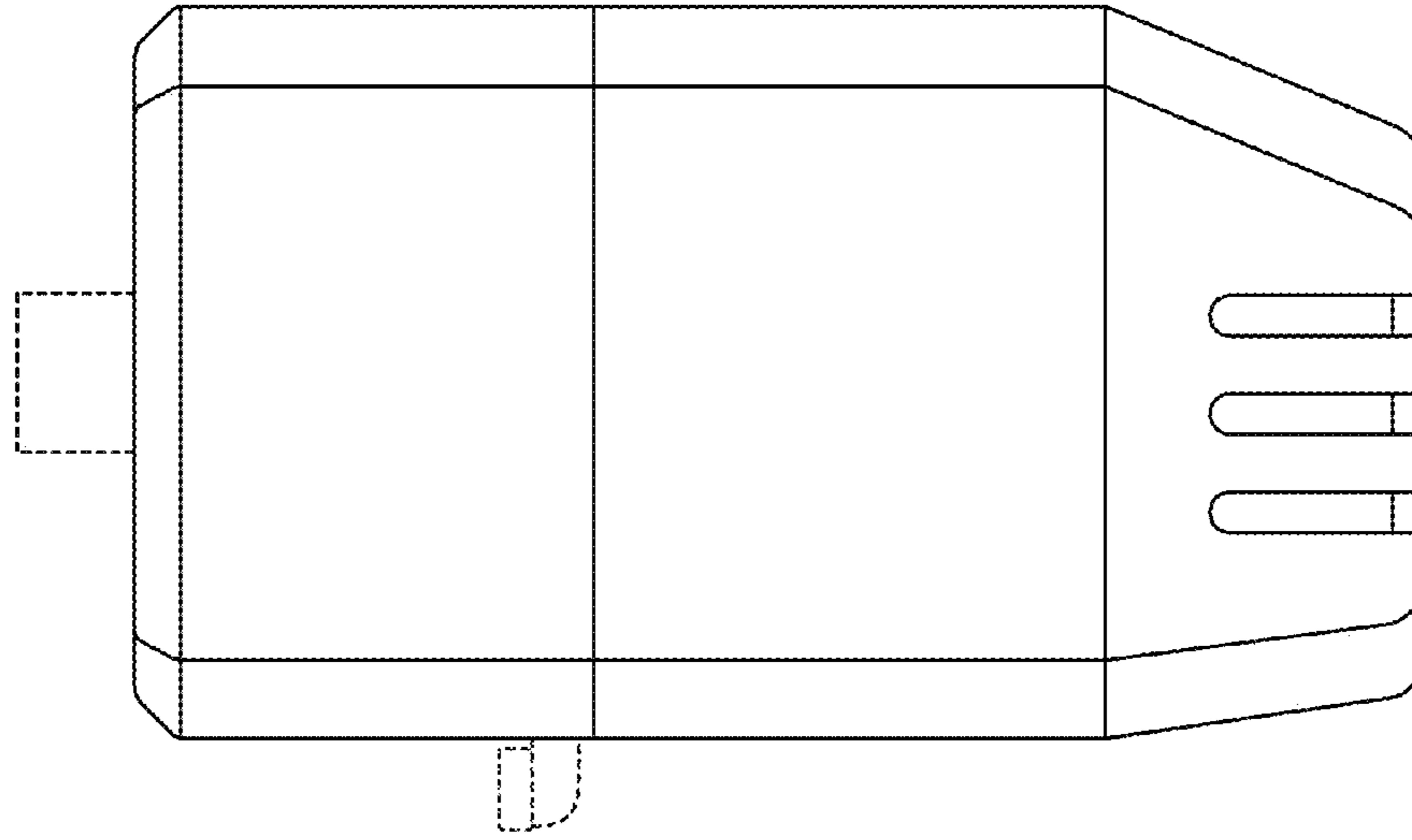


FIG. 5

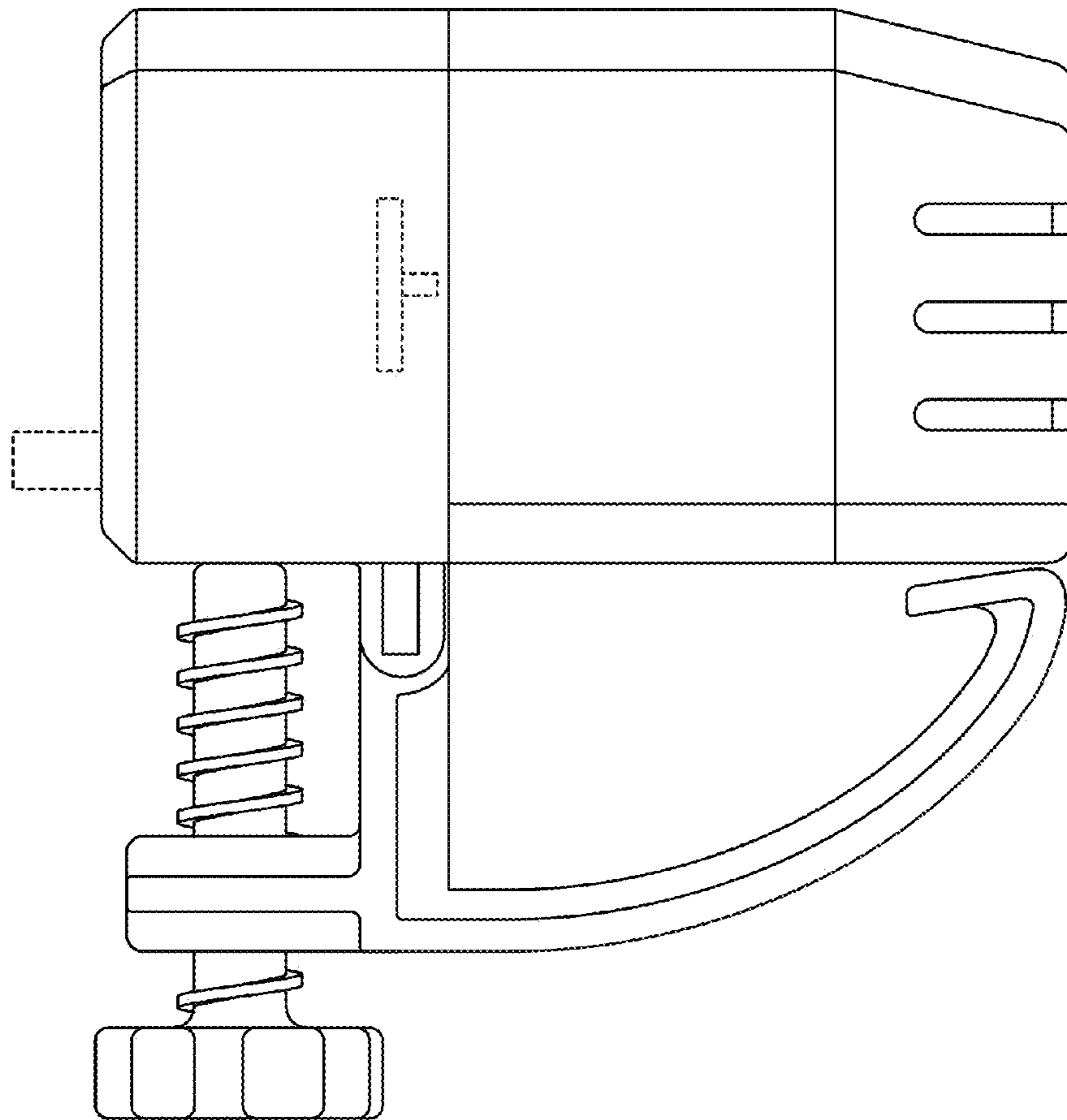


FIG. 4

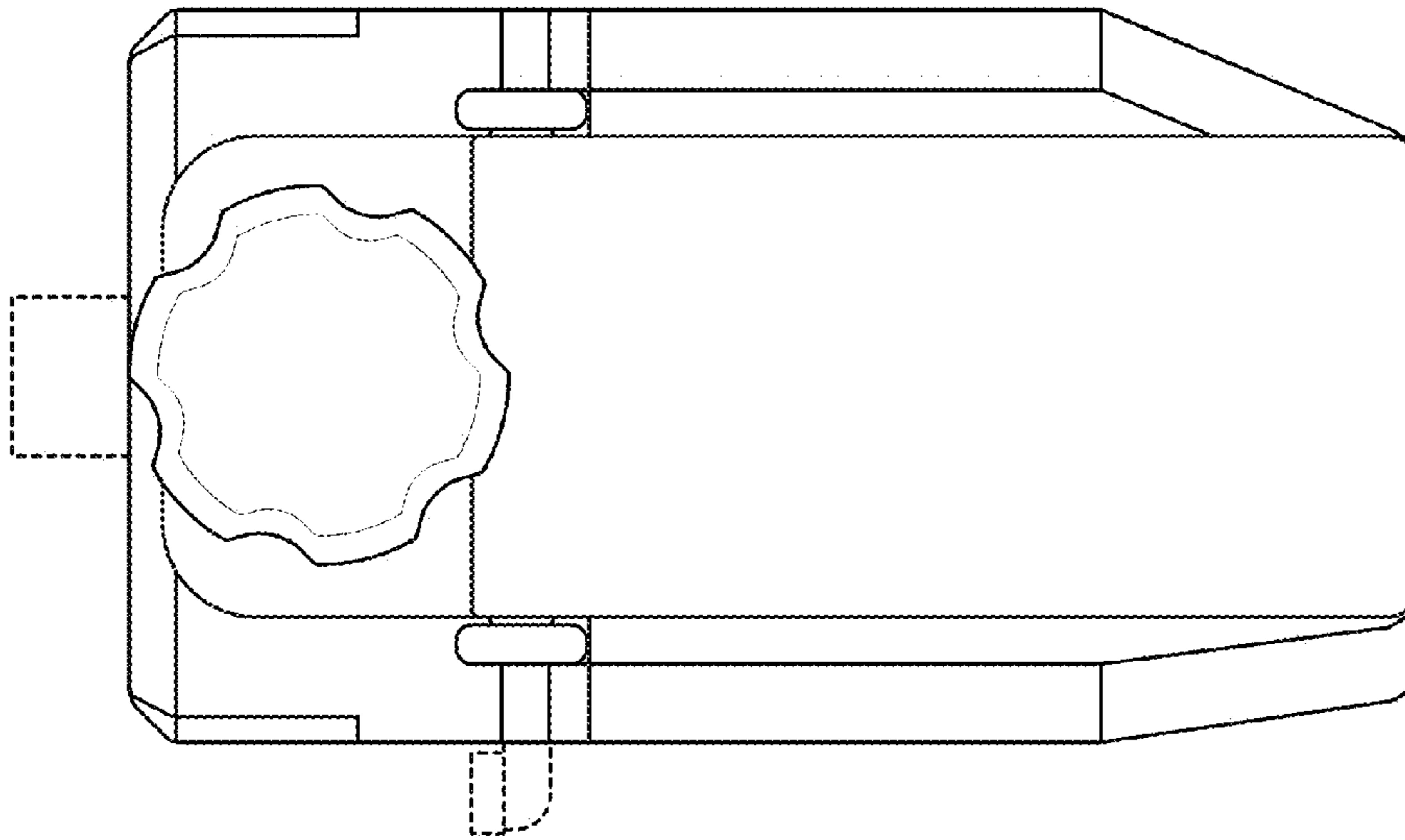


FIG. 7

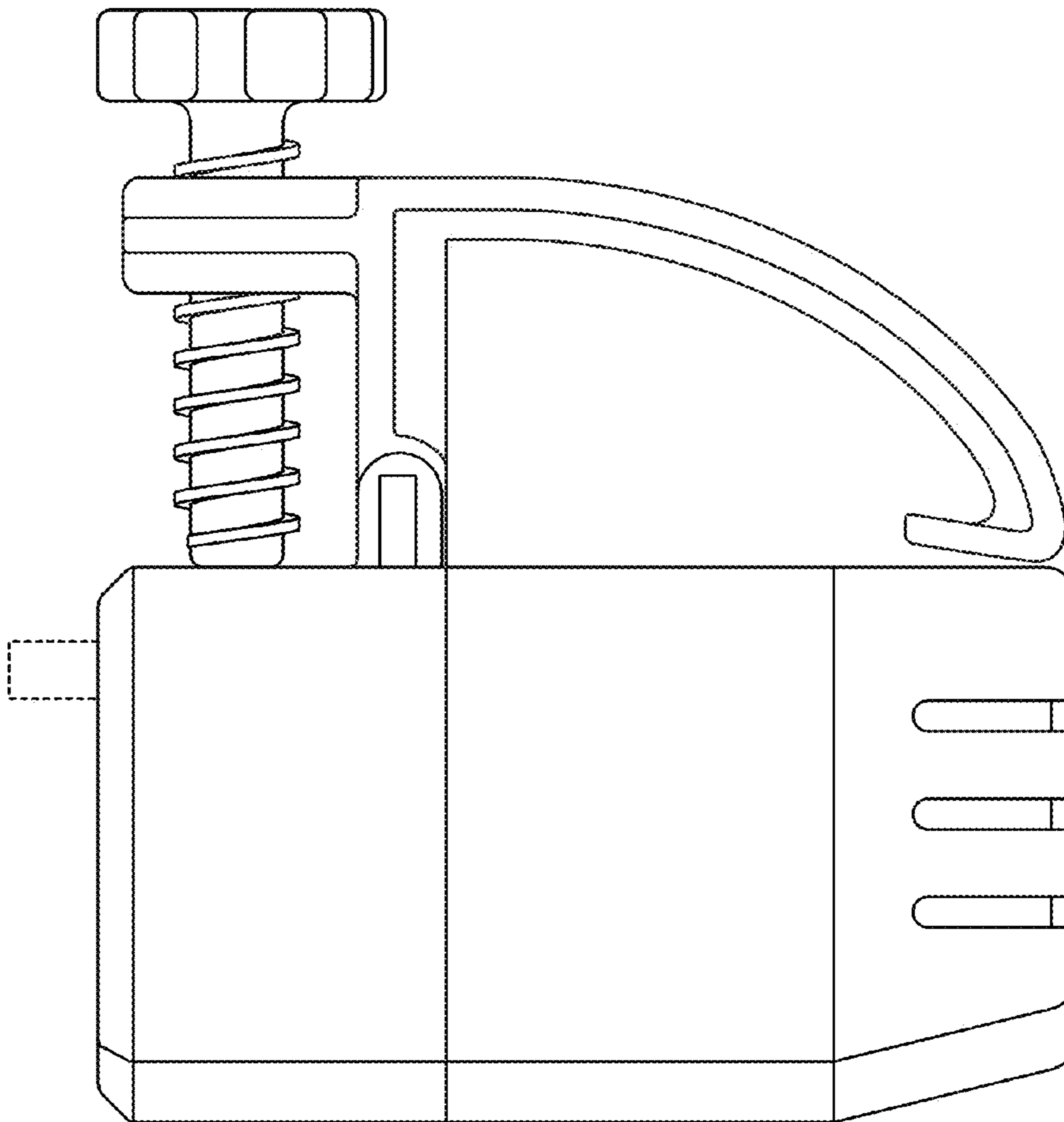


FIG. 6