



US00D713009S

(12) **United States Design Patent**
Citterio

(10) **Patent No.:** **US D713,009 S**

(45) **Date of Patent:** **** Sep. 9, 2014**

(54) **FAUCET ASSEMBLY**

(71) Applicant: **Hansgrohe SE**, Schiltach (DE)

(72) Inventor: **Antonio Citterio**, Milan (IT)

(73) Assignee: **Hansgrohe SE**, Schiltach (DE)

(**) Term: **14 Years**

(21) Appl. No.: **29/480,064**

(22) Filed: **Jan. 23, 2014**

(30) **Foreign Application Priority Data**

Jul. 26, 2013 (EM) 001379093-0023

(51) **LOC (10) Cl.** **23-01**

(52) **U.S. Cl.**
USPC **D23/241**

(58) **Field of Classification Search**
USPC D23/238–243, 249–250, 253–255, 257;
4/675–678; 137/801

See application file for complete search history.

(56) **References Cited**

U.S. PATENT DOCUMENTS

D268,517 S *	4/1983	Thompson	D23/254
D324,410 S *	3/1992	Haug et al.	D23/241
D351,218 S *	10/1994	Sieger	D23/241
D461,529 S *	8/2002	Gottwald	D23/241
D522,092 S *	5/2006	Hoernig	D23/238
D538,895 S *	3/2007	Sallick et al.	D23/250
D608,864 S *	1/2010	Schoenherr et al.	D23/257
D612,458 S *	3/2010	Allard	D23/255

D625,778 S *	10/2010	Sandee et al.	D23/238
D631,138 S *	1/2011	Yokoyama et al.	D23/255
D668,745 S *	10/2012	Citterio	D23/253
D681,168 S	4/2013	Romero et al.		

FOREIGN PATENT DOCUMENTS

EM	000601984-0001	10/2006
EM	000601984-0002	10/2006
EM	001952326-0001	11/2011
EM	002055871-0003	6/2012
EM	002069583-0005	7/2012
EM	002194068-0003	3/2013

* cited by examiner

Primary Examiner — Robert Delehanty

(74) *Attorney, Agent, or Firm* — Lora J. Graentzdoerffer

(57) **CLAIM**

The ornamental design for a faucet assembly, as shown and described.

DESCRIPTION

FIG. 1 is a perspective view of a faucet assembly showing my design;

FIG. 2 is a front elevational view;

FIG. 3 is a rear elevational view;

FIG. 4 is a left side elevational view;

FIG. 5 is a right side elevational view;

FIG. 6 is a top plan view; and,

FIG. 7 is a bottom plan view.

The broken lines in the drawings represent unclaimed portions of the design and form no part of the claimed design.

1 Claim, 7 Drawing Sheets

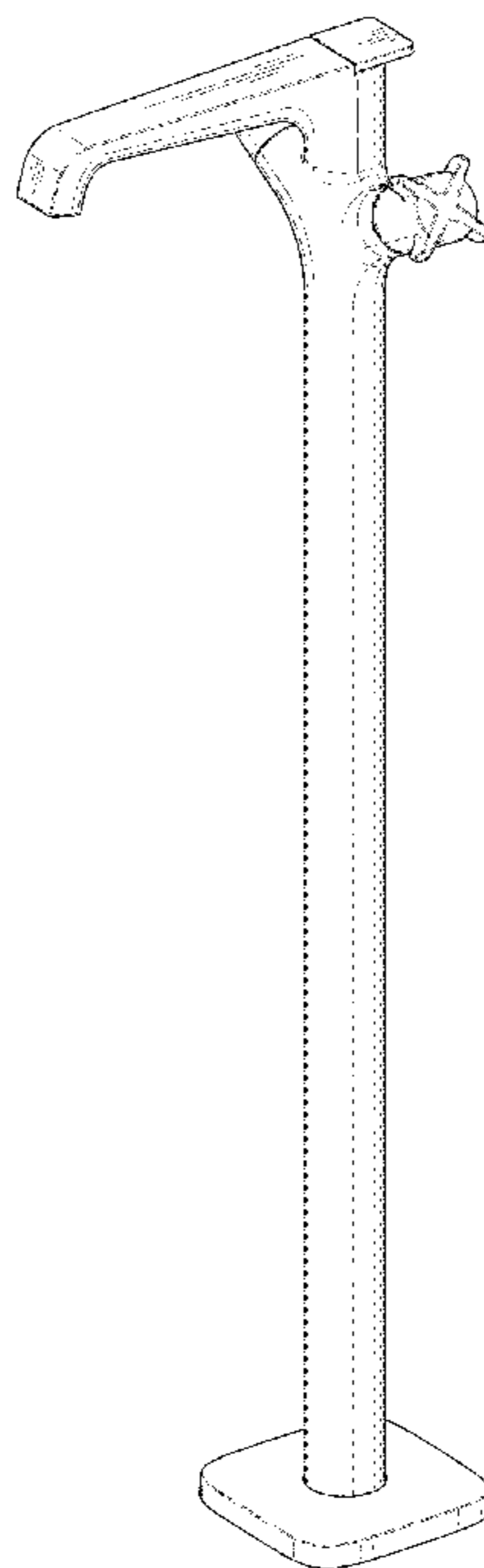


FIG. 1

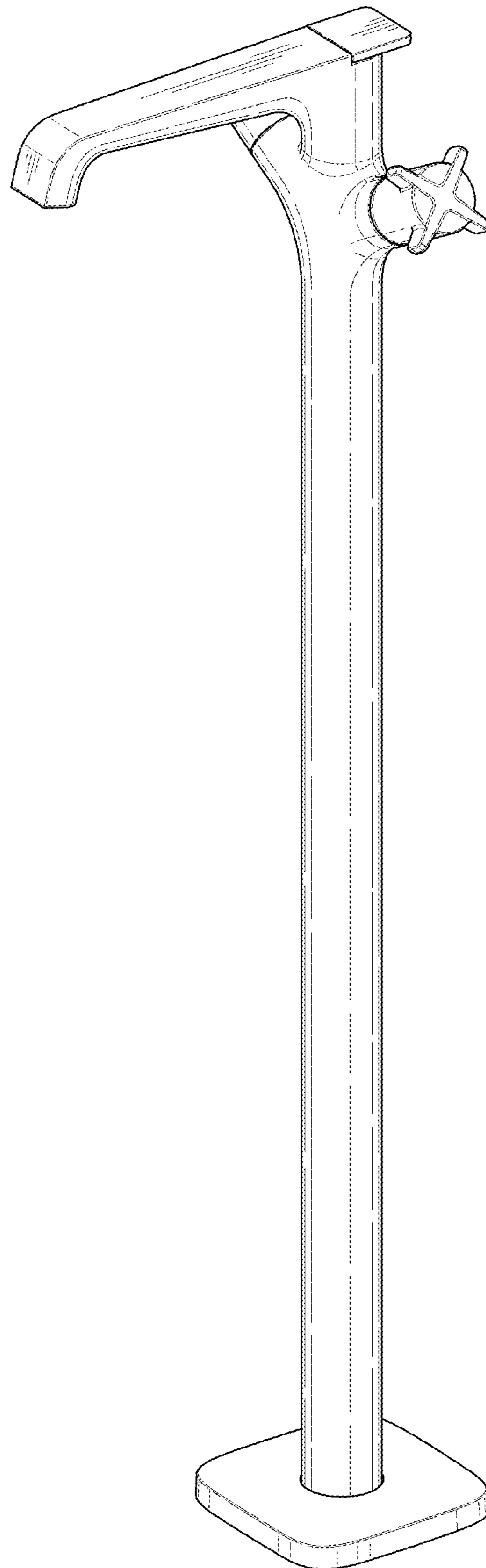


FIG. 2

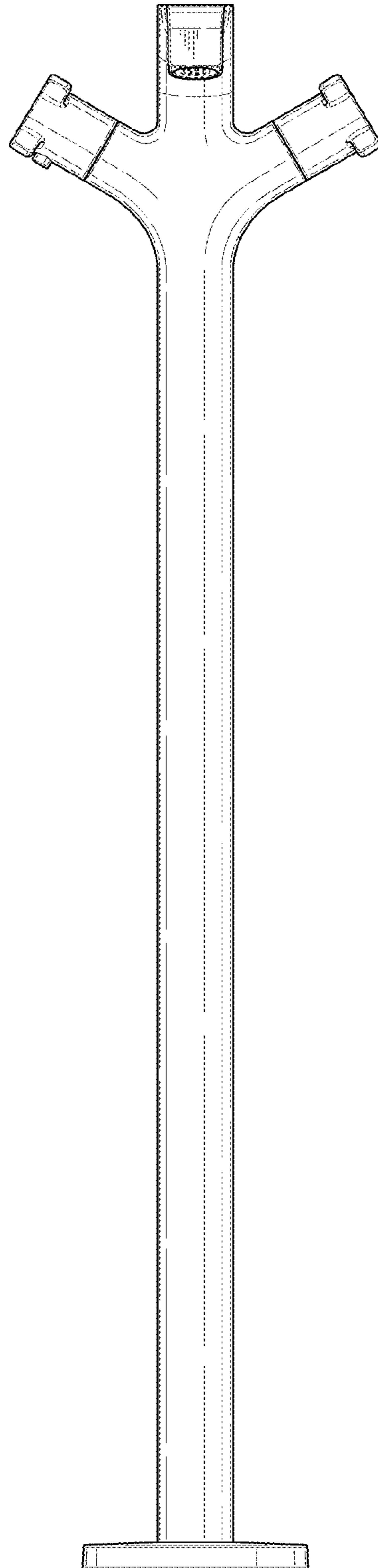


FIG. 3

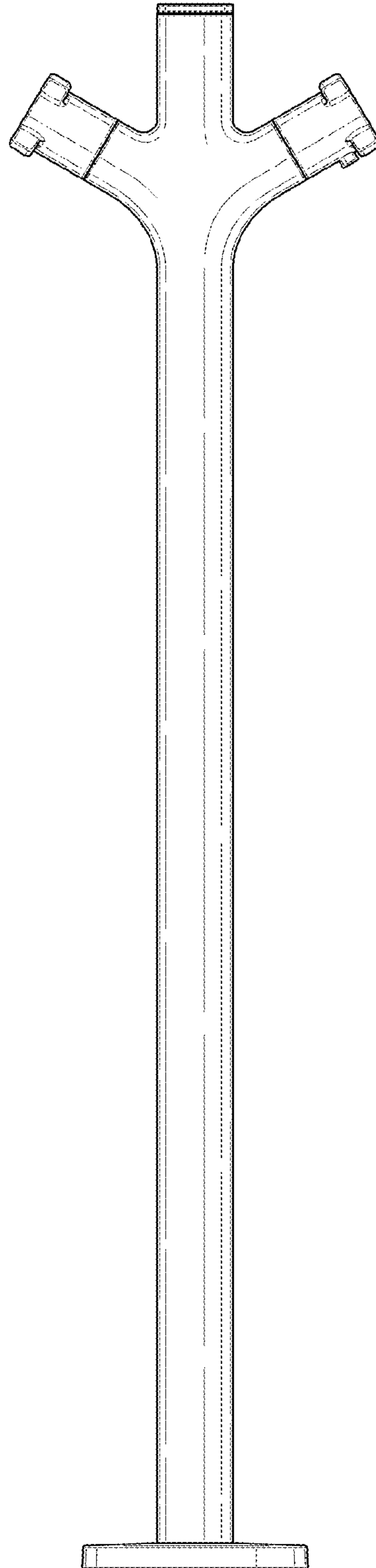


FIG. 4

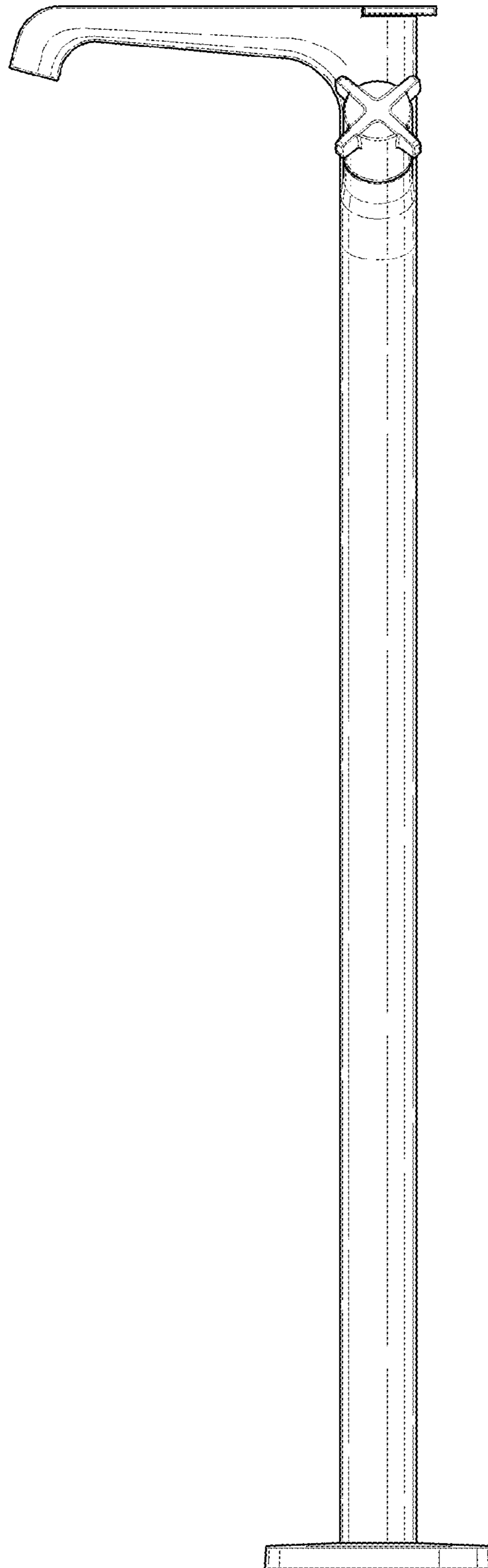


FIG. 5

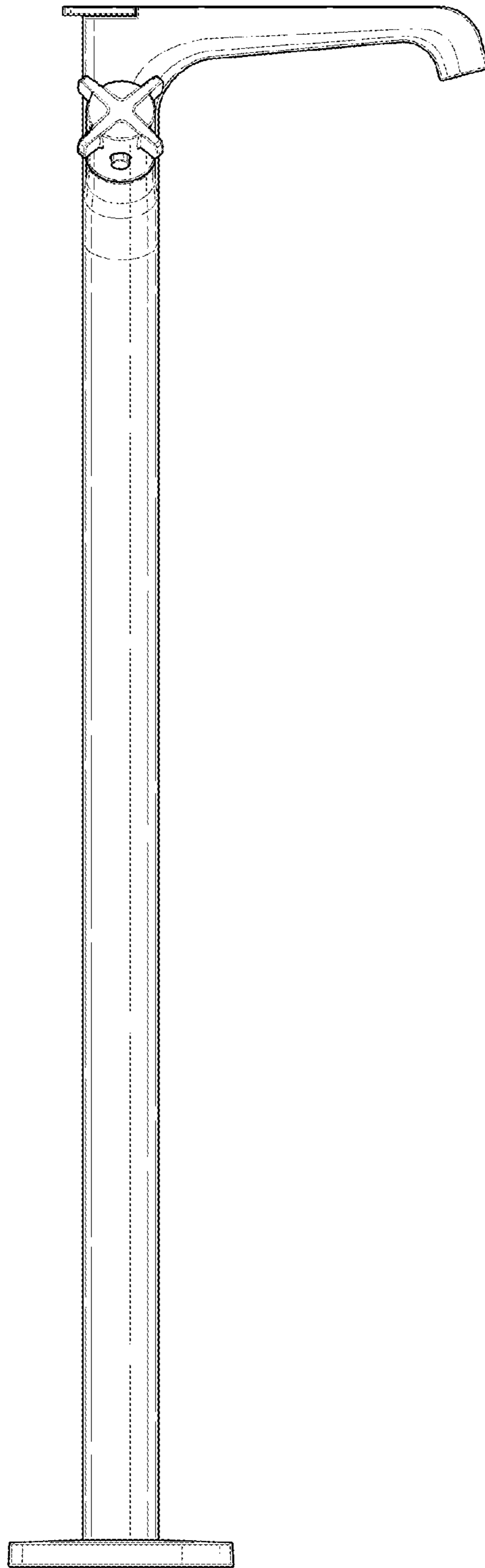


FIG. 6

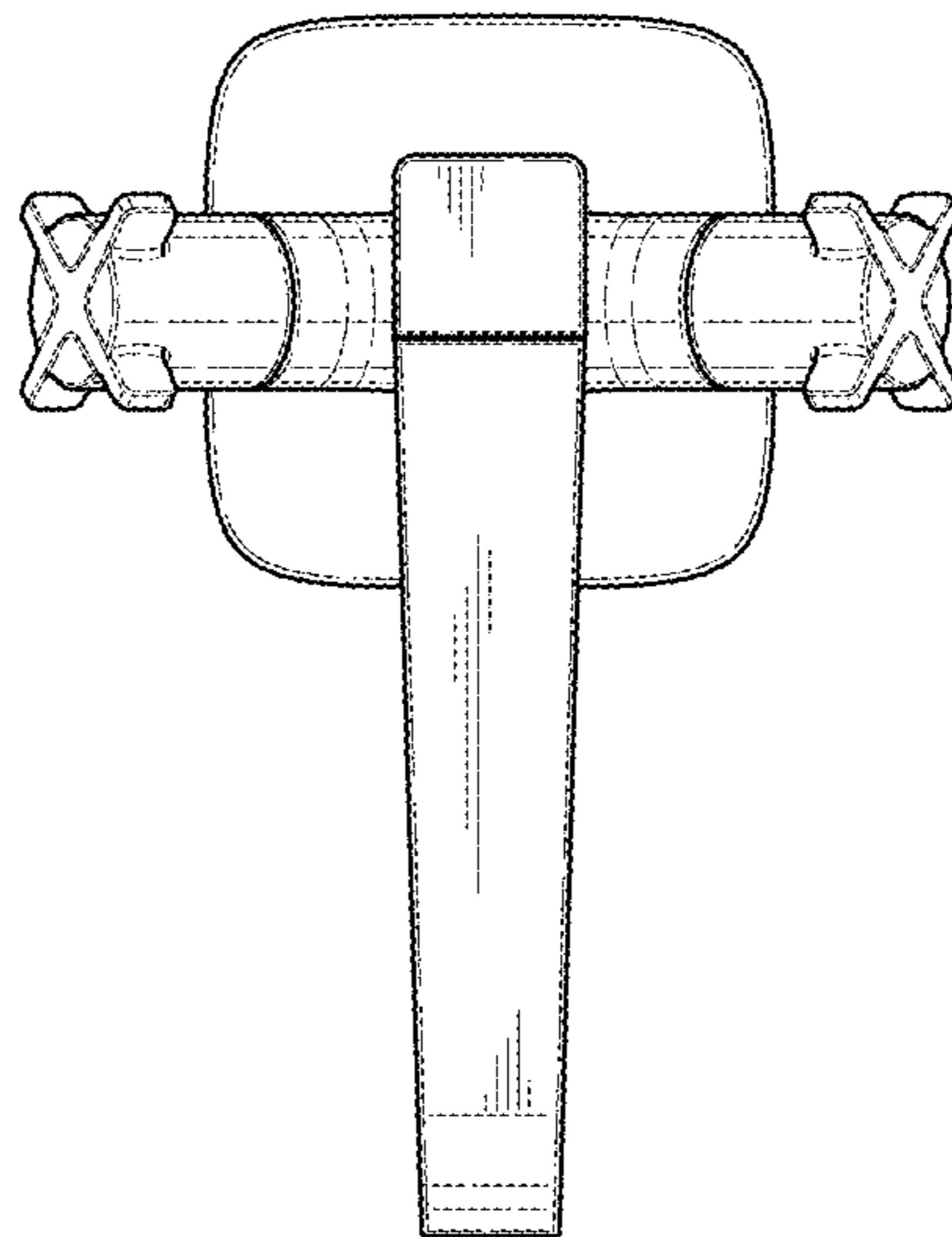


FIG. 7

