



US00D713007S

(12) **United States Design Patent**
Boyer

(10) **Patent No.:** **US D713,007 S**
(45) **Date of Patent:** **** Sep. 9, 2014**

(54) **KNOB AND BONNET ASSEMBLY FOR A GAS PRESSURE REGULATOR**

(71) Applicant: **Victor Equipment Company**, Denton, TX (US)

(72) Inventor: **Robert A. Boyer**, Flower Mound, TX (US)

(73) Assignee: **Victor Equipment Company**, Denton, TX (US)

(**) Term: **14 Years**

(21) Appl. No.: **29/444,309**

(22) Filed: **Jan. 29, 2013**

(51) **LOC (10) Cl.** **23-01**

(52) **U.S. Cl.**
USPC **D23/235**

(58) **Field of Classification Search**
USPC D23/233-237, 244-249; 137/541, 542, 137/516.29; 251/324, 318
See application file for complete search history.

(56) **References Cited**

U.S. PATENT DOCUMENTS

D435,635 S *	12/2000	Taneya	D23/233
D463,537 S *	9/2002	Kozu et al.	D23/262
D468,806 S *	1/2003	Ripkey	D23/233
D483,096 S *	12/2003	Gotoh et al.	D23/262
D499,464 S *	12/2004	Caine	D23/236
D500,840 S *	1/2005	Kim	D23/236

D602,564 S *	10/2009	Nimberger	D23/233
D606,167 S *	12/2009	Nimberger	D23/233
D624,157 S *	9/2010	Nimberger	D23/237
D633,986 S *	3/2011	Ito et al.	D23/233
D635,644 S *	4/2011	Yamada	D23/233
D638,915 S *	5/2011	Cardno et al.	D23/233
D652,116 S *	1/2012	Fukushima	D23/235
8,356,587 B2 *	1/2013	Wade	123/574
D685,877 S *	7/2013	Nemoto	D23/233
D690,390 S *	9/2013	Garm et al.	D23/233
D690,391 S *	9/2013	Garm et al.	D23/233
2009/0283157 A1 *	11/2009	Hogan	137/542

* cited by examiner

Primary Examiner — Cynthia Ramirez

(74) *Attorney, Agent, or Firm* — Brinks Gilson & Lione

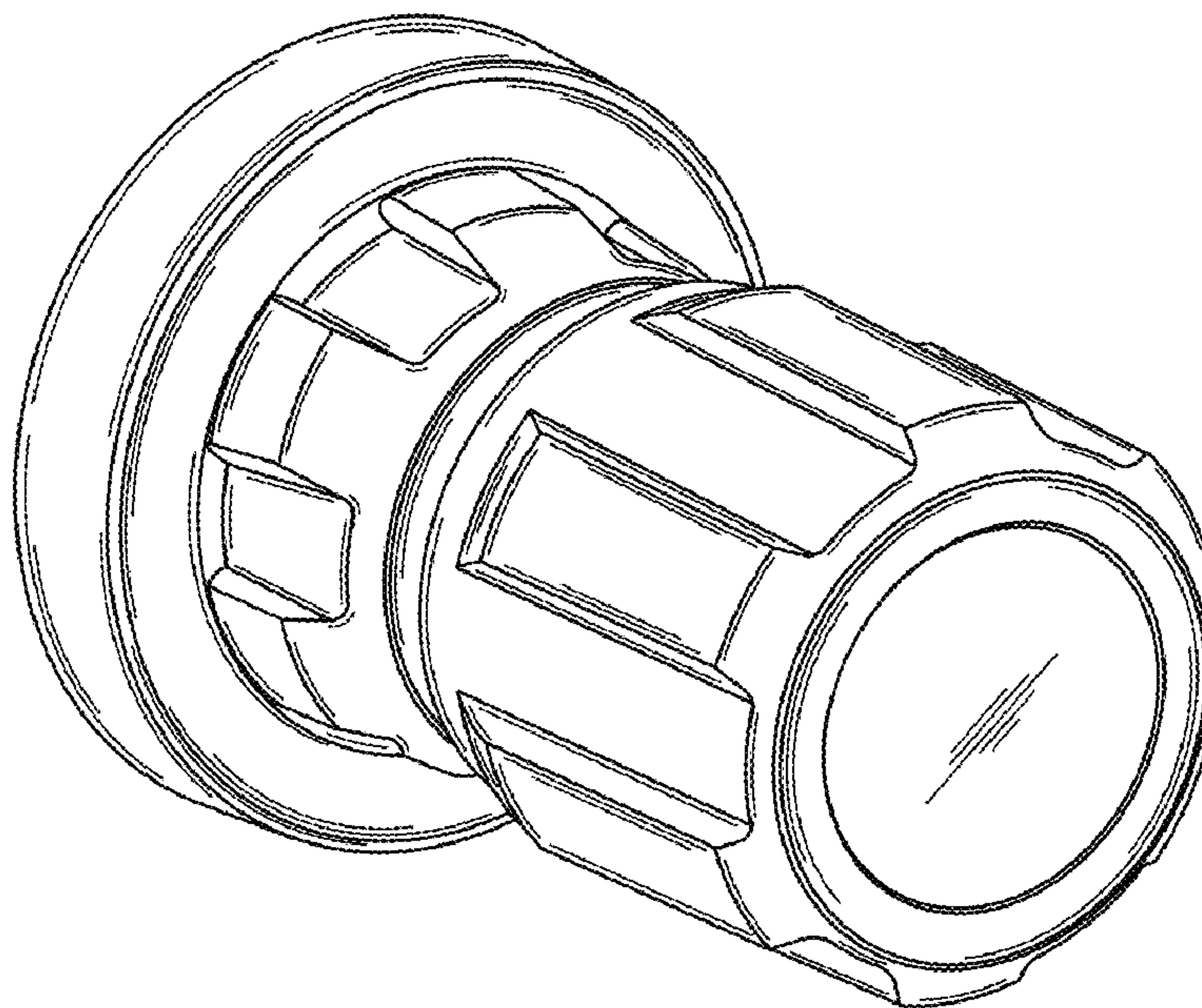
(57) **CLAIM**

The ornamental design for a knob and bonnet for a gas pressure, as shown and described.

DESCRIPTION

FIG. 1 is a top perspective view of the knob and bonnet for a gas pressure;
FIG. 2 is another top perspective view thereof;
FIG. 3 is a front view thereof;
FIG. 4 is a rear view thereof;
FIG. 5 is a left side view thereof;
FIG. 6 is a right side view thereof;
FIG. 7 is a top view thereof; and,
FIG. 8 is a bottom view thereof.

1 Claim, 8 Drawing Sheets



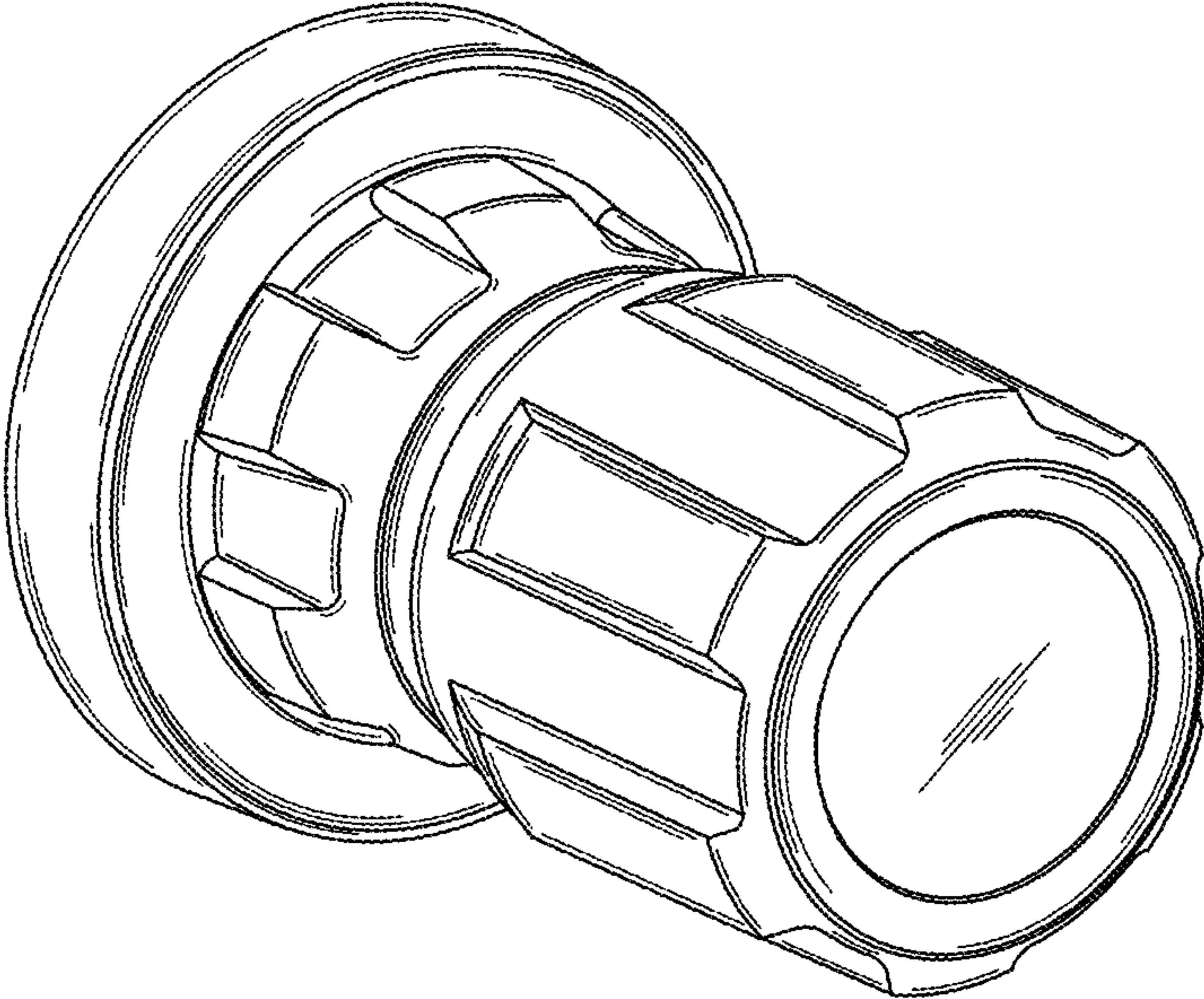


FIG. 1

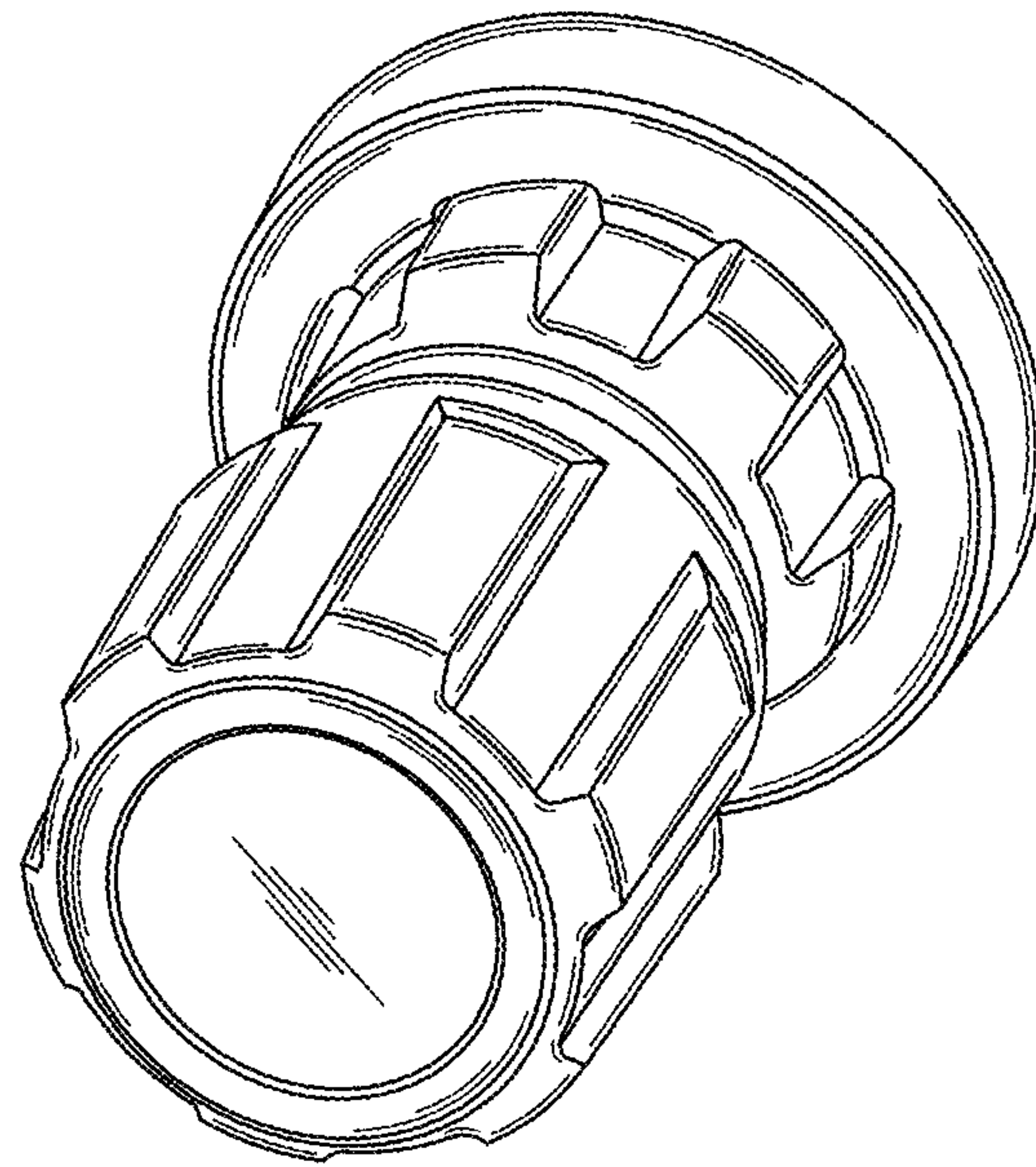


FIG. 2

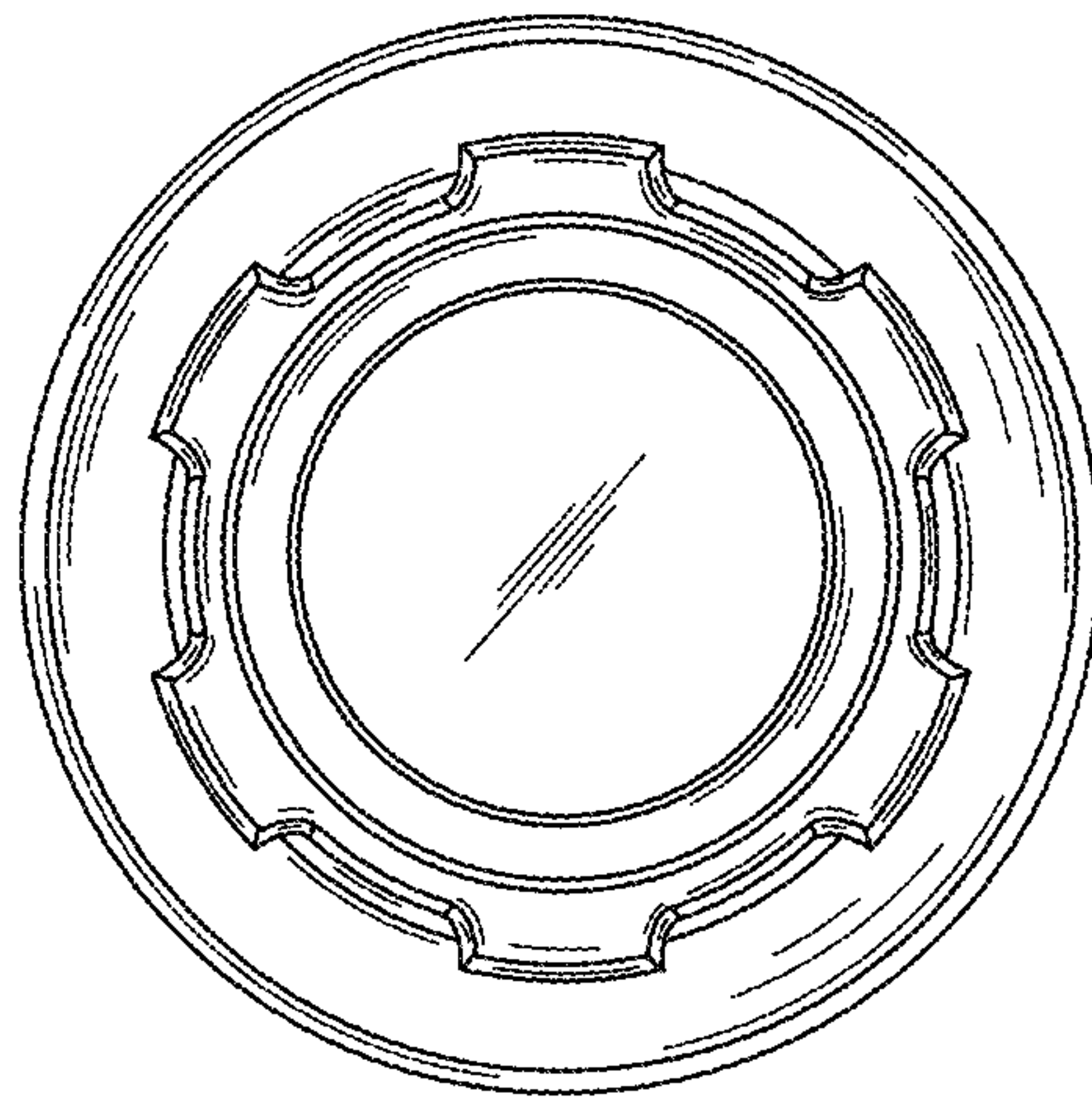


FIG. 3

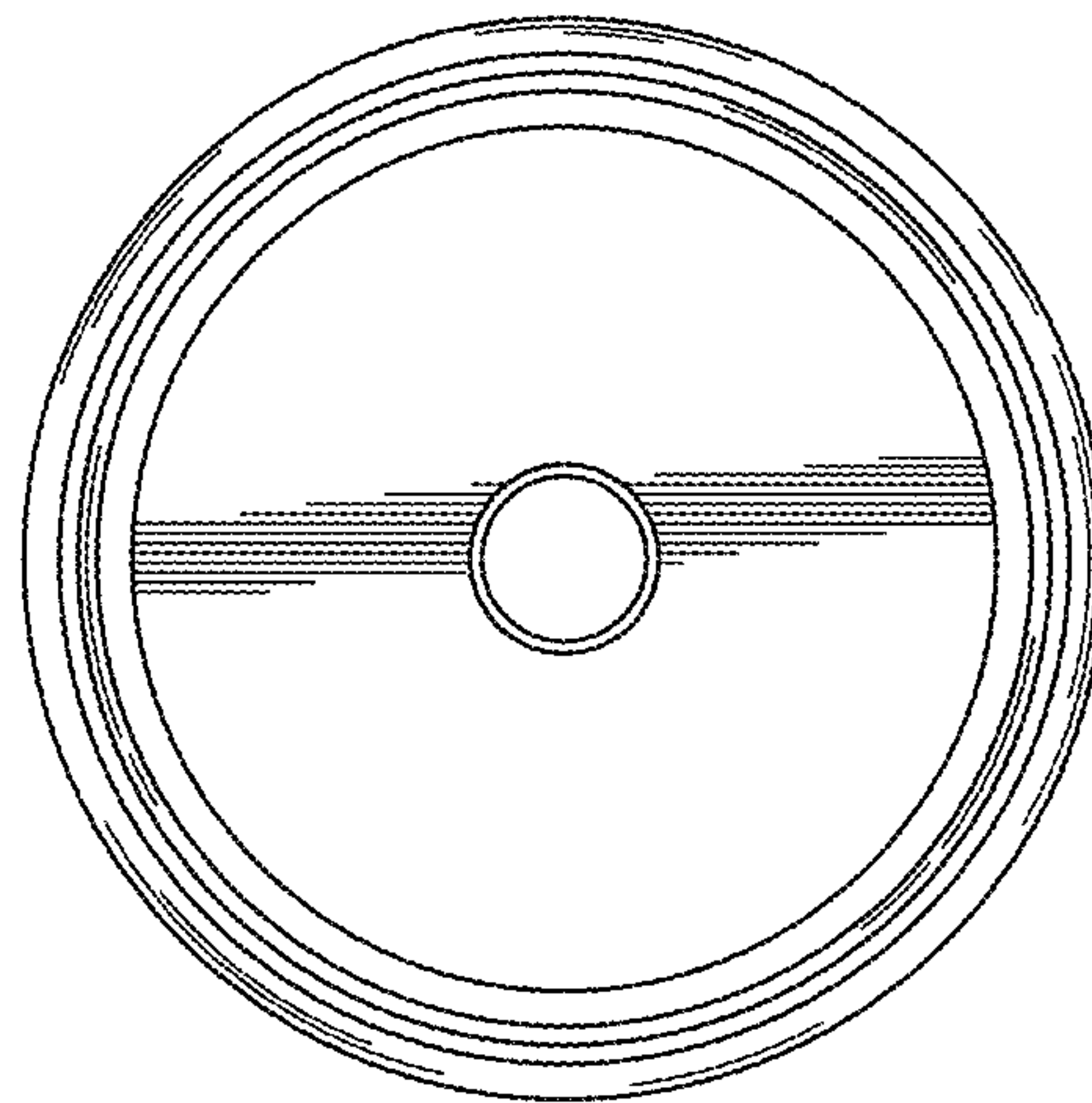


FIG. 4

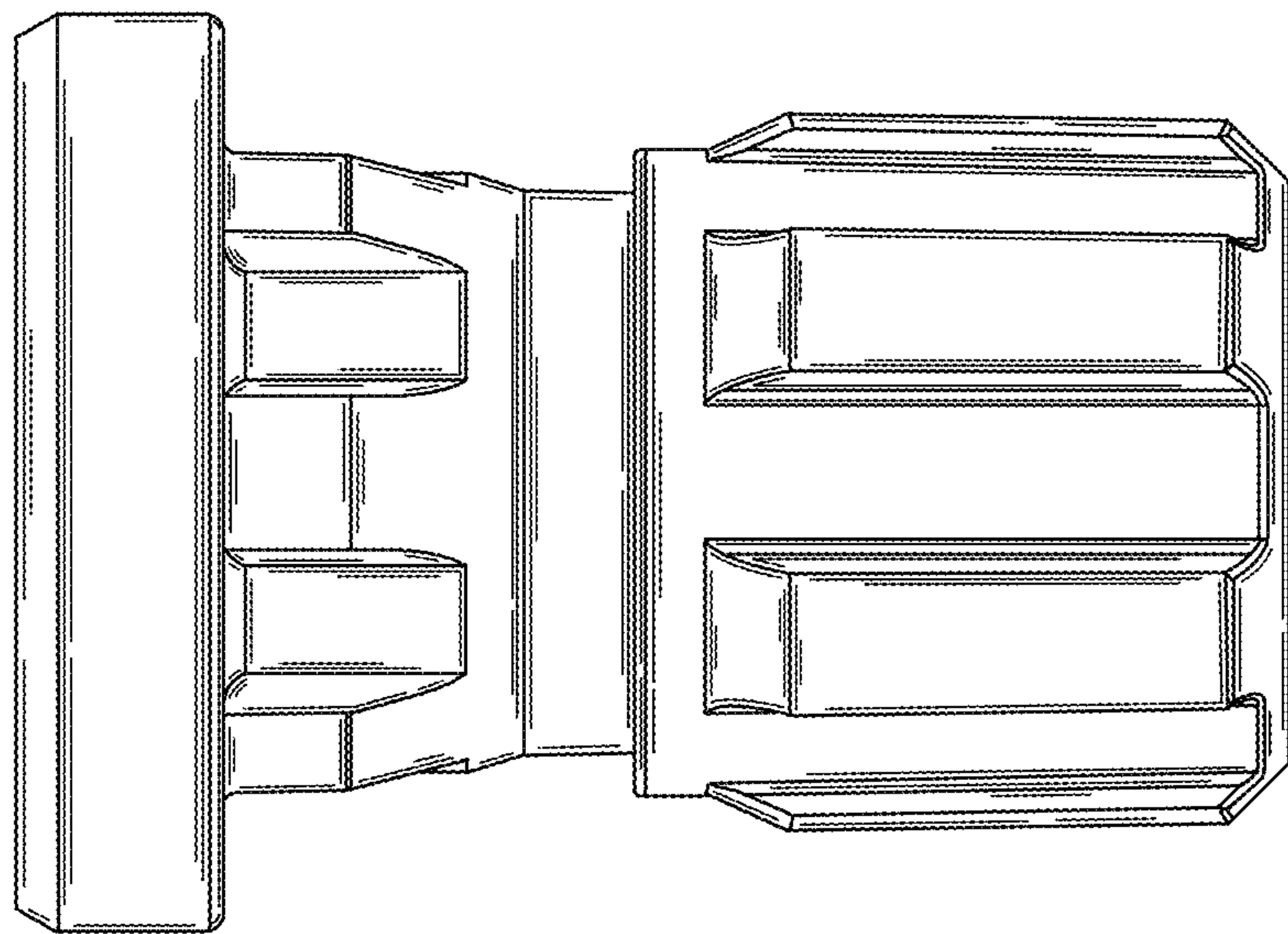


FIG. 5

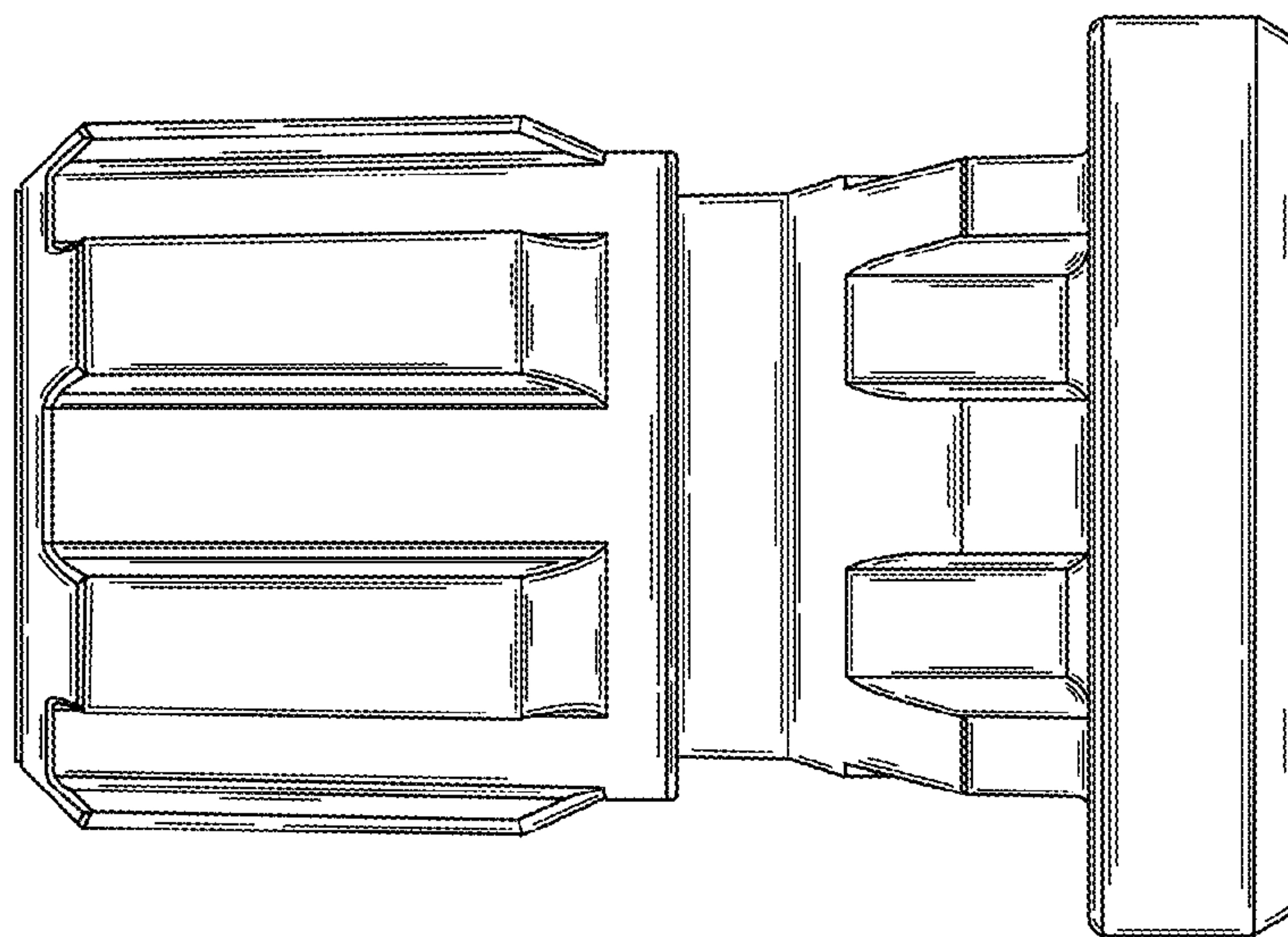


FIG. 6

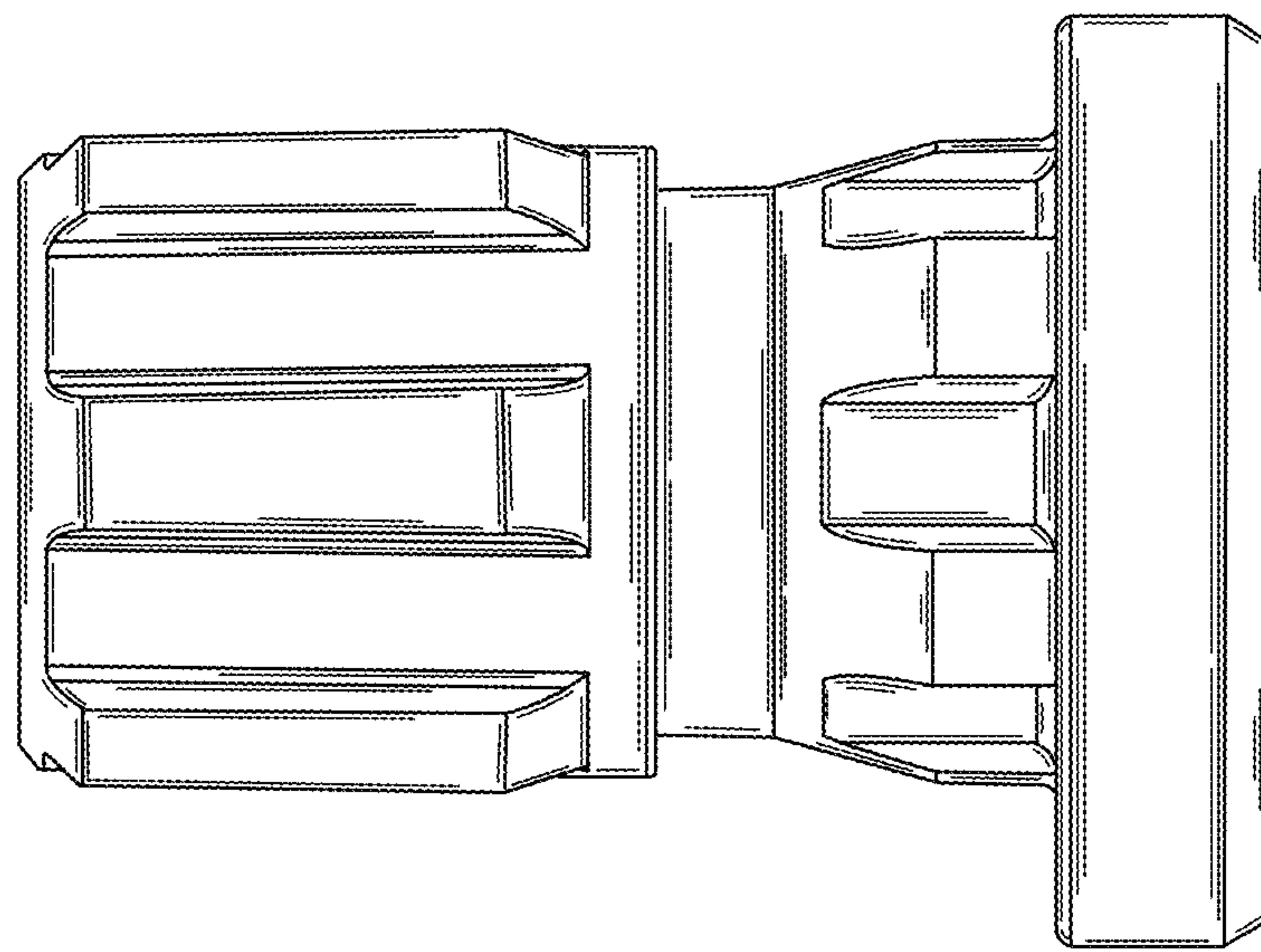


FIG. 7

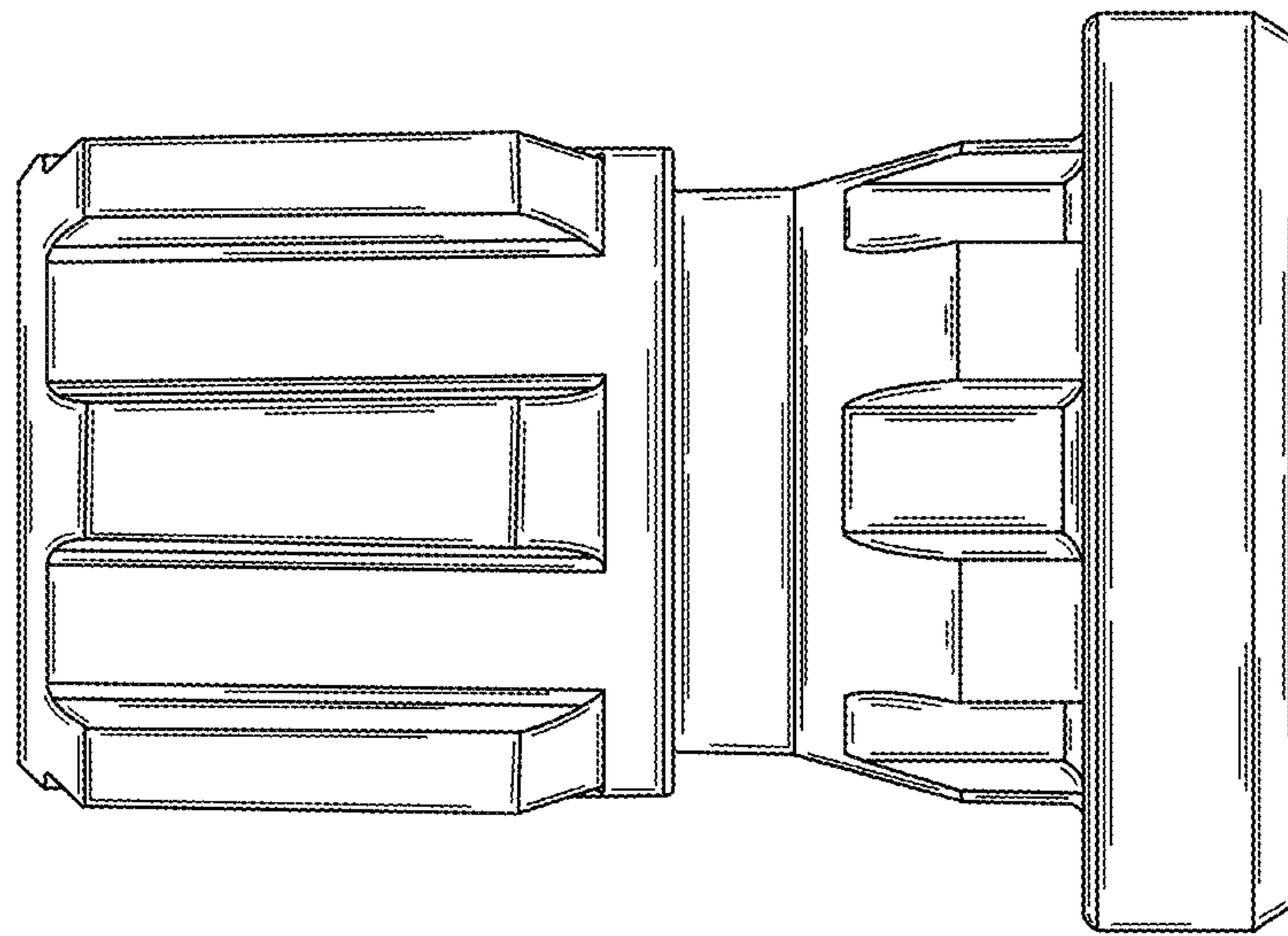


FIG. 8