



US00D713001S

(12) **United States Design Patent**
Voelker et al.

(10) **Patent No.:** **US D713,001 S**
(45) **Date of Patent:** **** Sep. 9, 2014**

(54) **SPRAYER**

(71) Applicant: **Monsanto Technology LLC**, St. Louis, MO (US)

(72) Inventors: **Scott C. Voelker**, St. Louis, MO (US);
Jason M. Friedland, St. Louis, MO (US)

(73) Assignee: **Monsanto Technology LLC**, St. Louis, MO (US)

(**) Term: **14 Years**

(21) Appl. No.: **29/434,603**

(22) Filed: **Oct. 15, 2012**

(51) **LOC (10) Cl.** **23-01**

(52) **U.S. Cl.**
USPC **D23/213**

(58) **Field of Classification Search**
USPC D23/213, 223, 225, 226; 239/302, 332,
239/333, 337, 526; 222/465.1, 383.1,
222/383.3, 143; D8/1, 2
See application file for complete search history.

(56) **References Cited**

U.S. PATENT DOCUMENTS

4,621,770 A * 11/1986 Sayen 239/304
5,469,993 A * 11/1995 Hauf et al. 222/383.3
5,553,750 A * 9/1996 Foster 222/179.5

(Continued)

FOREIGN PATENT DOCUMENTS

EP 1010389 A2 6/2000
EP 1695767 A1 8/2006
WO WO 99/51354 10/1999
WO WO 00/27270 5/2000

OTHER PUBLICATIONS

Organic Weed & Grass Killer, <http://www.planetnatural.com/site/ecosmart-weed-killer.html>, printed Jan. 21, 2013, 2 pages.

(Continued)

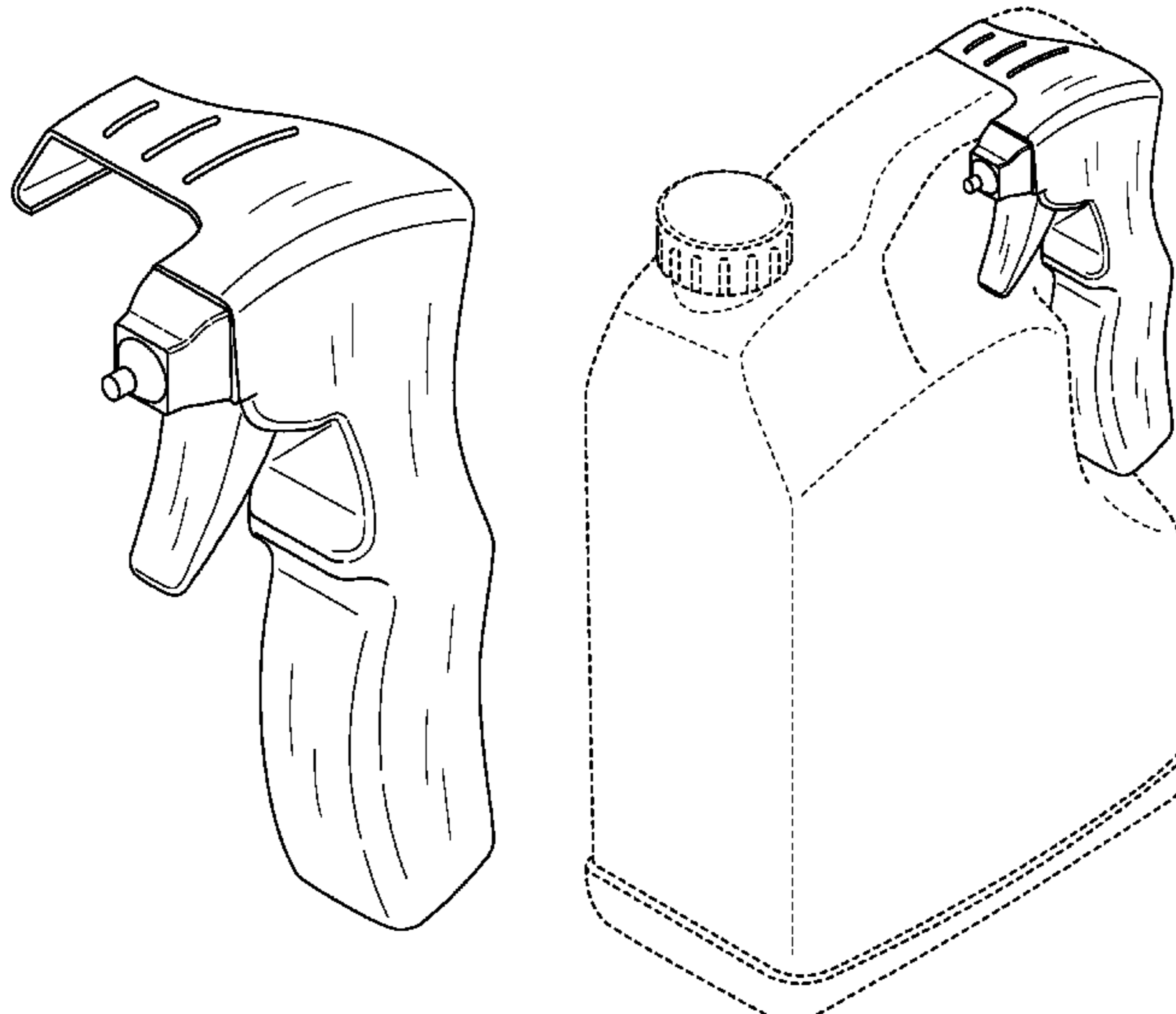
Primary Examiner — Robin V Webster
(74) *Attorney, Agent, or Firm* — Joseph A. Schaper;
Harness, Dickey & Pierce, P.L.C.

(57) **CLAIM**
The ornamental design for a sprayer, as shown and described.

DESCRIPTION

FIG. 1 is a perspective view of an example embodiment of a sprayer in accordance with our new design; FIG. 2 is a front elevation view thereof; FIG. 3 is a rear elevation view thereof; FIG. 4 is a left side elevation view thereof; FIG. 5 is a right side elevation view thereof; FIG. 6 is a top plan view thereof; FIG. 7 is a bottom plan view thereof; FIG. 8 is a perspective view of the sprayer shown in FIG. 1 and illustrating an example environment in which the sprayer may be used, whereby the sprayer is releasably coupled to a handle of a container; FIG. 9 is a perspective view of another example embodiment of a sprayer in accordance with our new design; FIG. 10 is a front elevation view thereof; FIG. 11 is a rear elevation view thereof; FIG. 12 is a left side elevation view thereof; FIG. 13 is a right side elevation view thereof; FIG. 14 is a top plan view thereof; FIG. 15 is a bottom plan view thereof; and, FIG. 16 is a perspective view of the sprayer shown in FIG. 9 and illustrating an example environment in which the sprayer may be used, whereby the sprayer is releasably coupled to a handle of a container. The details shown in broken lines in the example embodiments are for illustrative purposes only in those embodiments and form no part of the design claimed with respect to those embodiments.

1 Claim, 14 Drawing Sheets



(56)

References Cited

U.S. PATENT DOCUMENTS

5,601,211	A *	2/1997	Foster	222/143
5,860,574	A *	1/1999	Shanklin et al.	222/530
6,508,410	B1 *	1/2003	Thomas et al.	239/1
6,561,438	B1 *	5/2003	Restive et al.	239/428.5
6,820,769	B2 *	11/2004	Foster et al.	222/153.13
7,607,556	B2	10/2009	Engelen		
7,631,818	B2 *	12/2009	Wu	239/302
7,717,354	B1 *	5/2010	Robinson	239/1
8,100,302	B2 *	1/2012	Bonner	222/401
8,141,754	B2 *	3/2012	Conner et al.	222/333

OTHER PUBLICATIONS

The Home Depot, Spectracide 1.3 gal. Ready-to-Use Termite and Carpenter Ant Killer, http://www.homedepot.com/h_d1/N-5yclv/R-100046531/h_d2/ProductDisplay?catalogId=. . ., printed Jan. 21, 2013, 3 pages.

Quaker State Oil 10W30, http://shop.advanceautoparts.com/webapp/wcs/stores/servlet/product_x_10142274-P_x_x?. . ., printed Jan. 21, 2013, 2 pages.

The Home Depot, ZEP 1 gal. Flea Spray for Homes, http://www.homedepot.com/h_d1/N-5yclv/R-100036174/h_d2/ProductDisplay?catalogId=. . ., printed Jan. 21, 2013, 3 pages.

Tool King.com, Access Marketing SDSB-1G/02 Slime Spray Tire Sealant with Pump—1 Gallon, <http://www.toolking.com/access->

marketing-sdsb-1g-02-spray-tire-sealant-with-pump-gallon, printed Jan. 21, 2013, 2 pages.

The Home Depot, Raid Max 128 oz. Bug Barrier, http://www.homedepot.com/h_d1/N-5yclv/R-202529882/h_d2/ProductDisplay?catalogId=. . ., printed Jan. 21, 2013, 3 pages.

Campman, Repel Camp Shield Outdoor Insect Control, <http://www.campman.com/repel-camp-shield-outdoor-insect-control/>, printed Jan. 21, 2013, 1 page.

The Home Depot, Bayer Advanced 1.3 gal. Durazone Weed and Grass Killer, http://www.homedepot.com/h_d1/N-5yclv/R-203030477/h_d2/ProductDisplay?catalogId=. . ., printed Jan. 21, 2013, 3 pages.

The Home Depot, Bayer Advanced 1-Gallon Ready-to-Use Home Pest Plus Germ Killer, http://www.homedepot.com/h_d1/N-5yclv/R-100638301/h_d2/ProductDisplay?catalogId=. . ., printed Jan. 21, 2013, 4 pages.

The Home Depot, Ortho 1-Gallon Ready-to-Use Weed-B-Gon Max Plus Crabgrass Control, http://www.homedepot.com/h_d1/N-5yclv/R-100542812/h_d2/ProductDisplay?catalogId=. . ., printed Jan. 21, 2013, 2 pages.

Roundup Gallon Weed and Grass Killer, http://www.lowes.com/pd_90460-446-5003210_0_?productId=3653980&Ntt=roundup& . . ., printed Jan. 21, 2013, 2 pages.

MWV: Mixor® HP Remote Trigger Sprayer, <http://www.meadwestvaco.com/HomeandGardenPackaging/TriggerSprayers/MWVS023012>, printed Apr. 10, 2013, 3 pages.

* cited by examiner

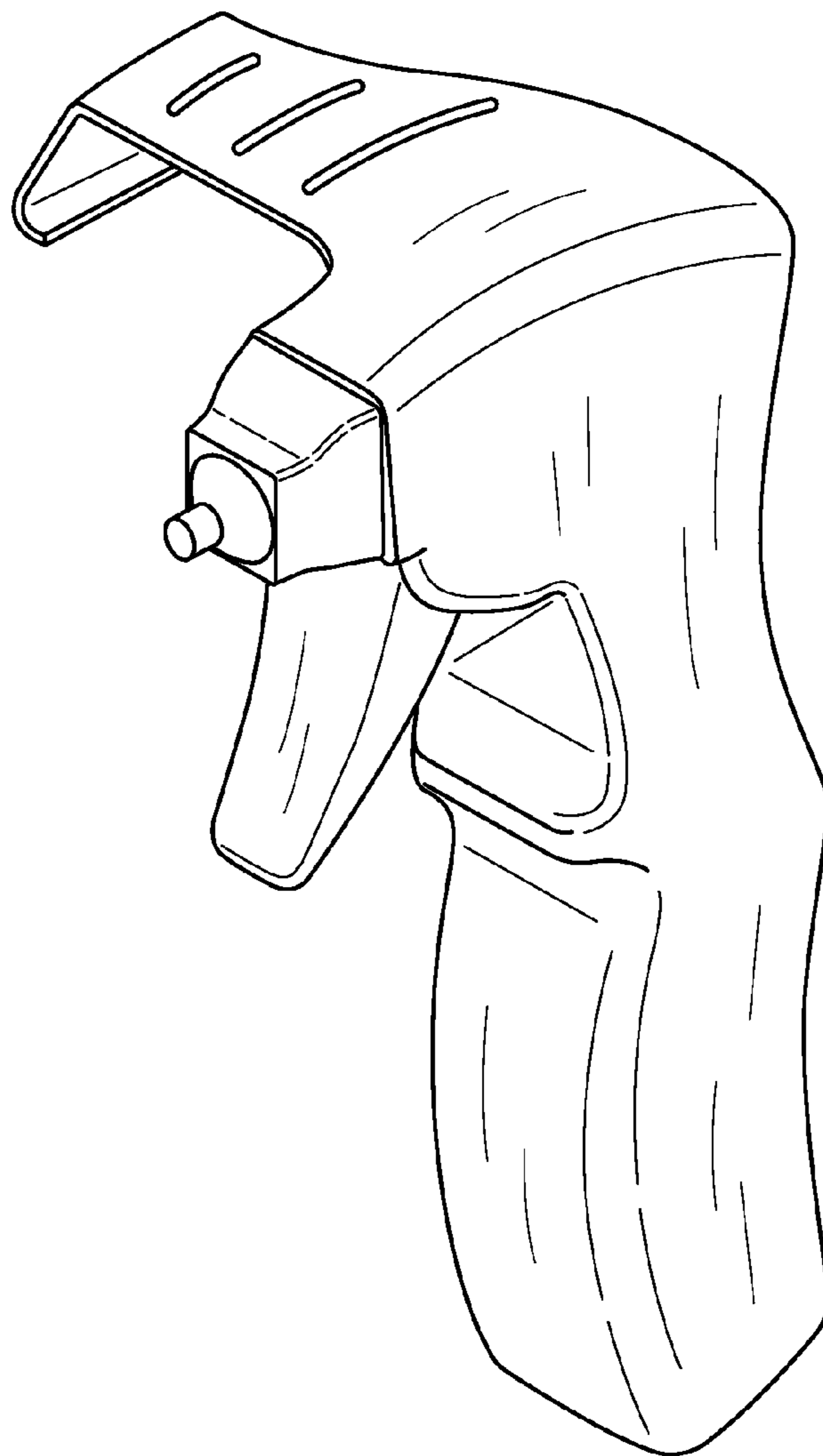


FIG. 1

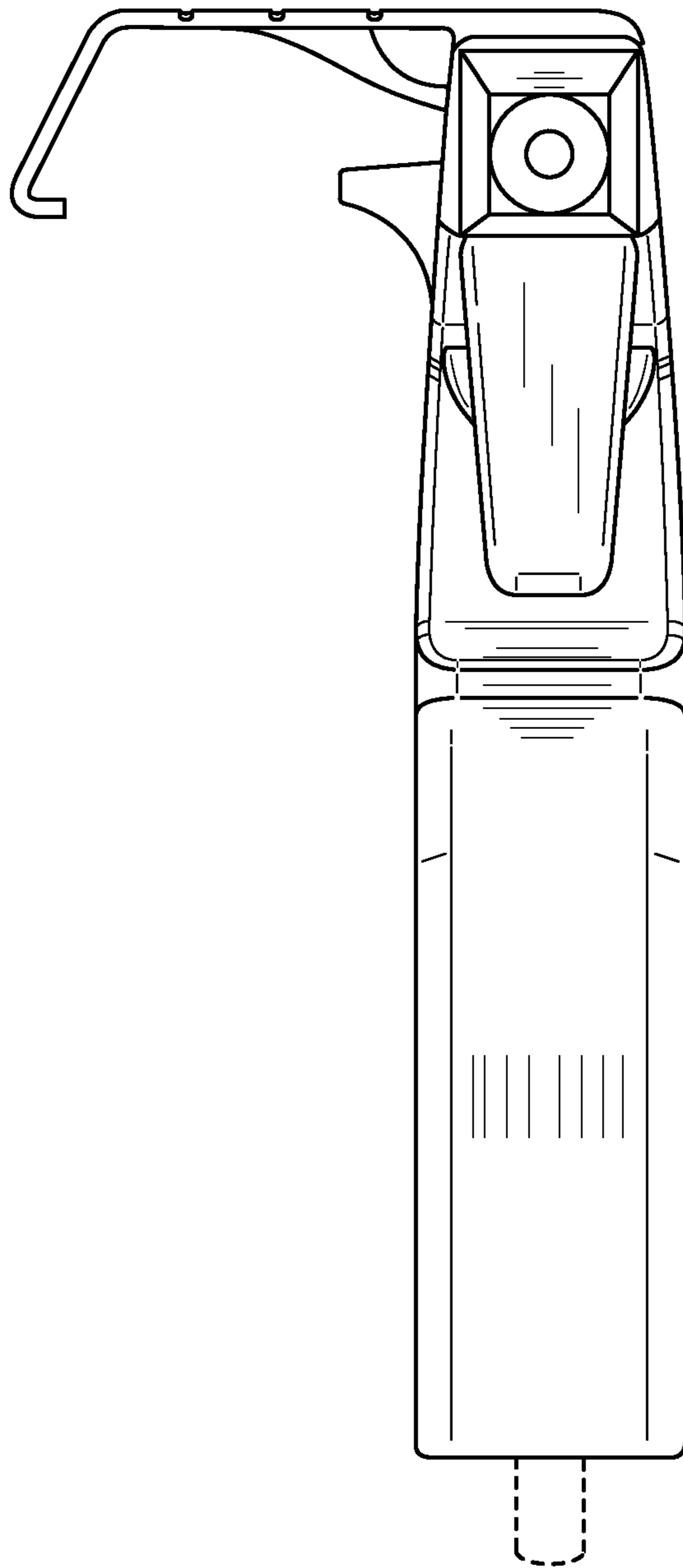


FIG. 2

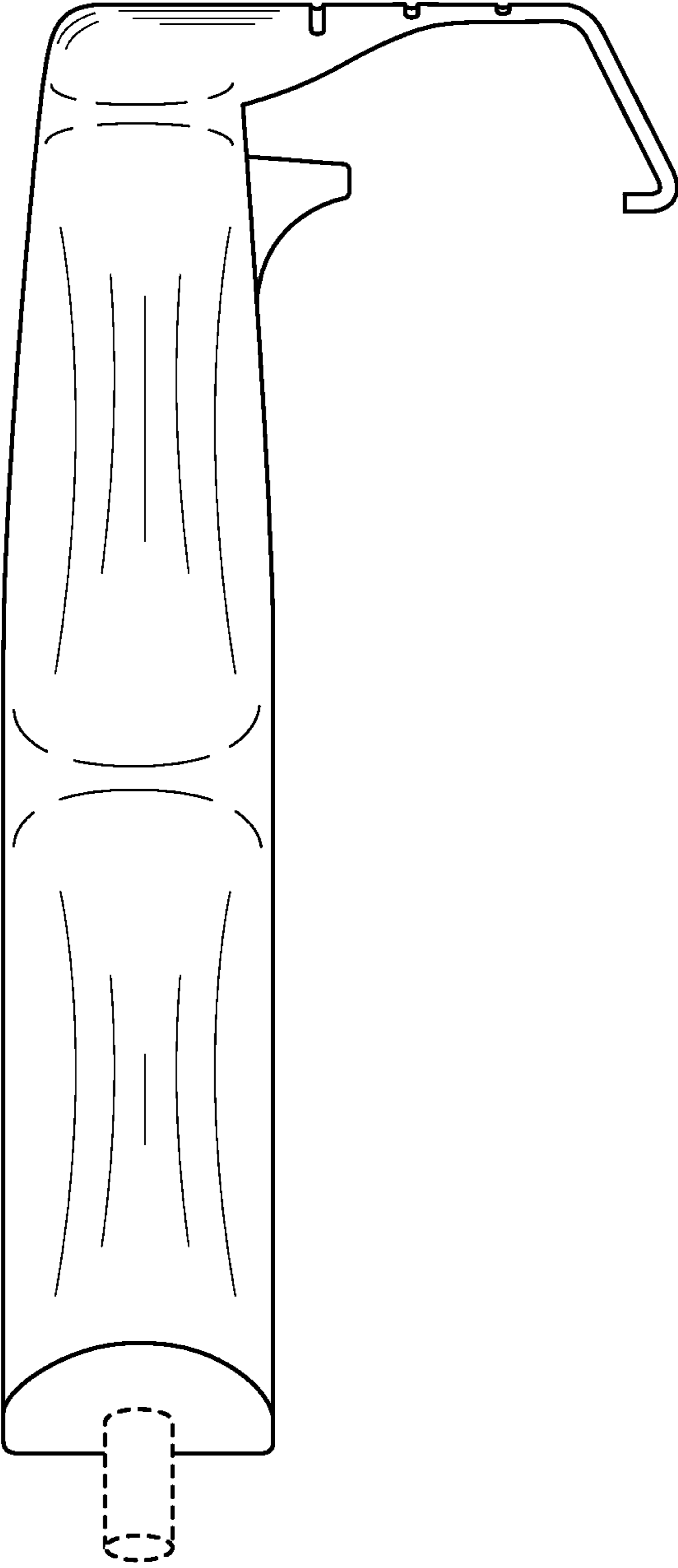


FIG. 3

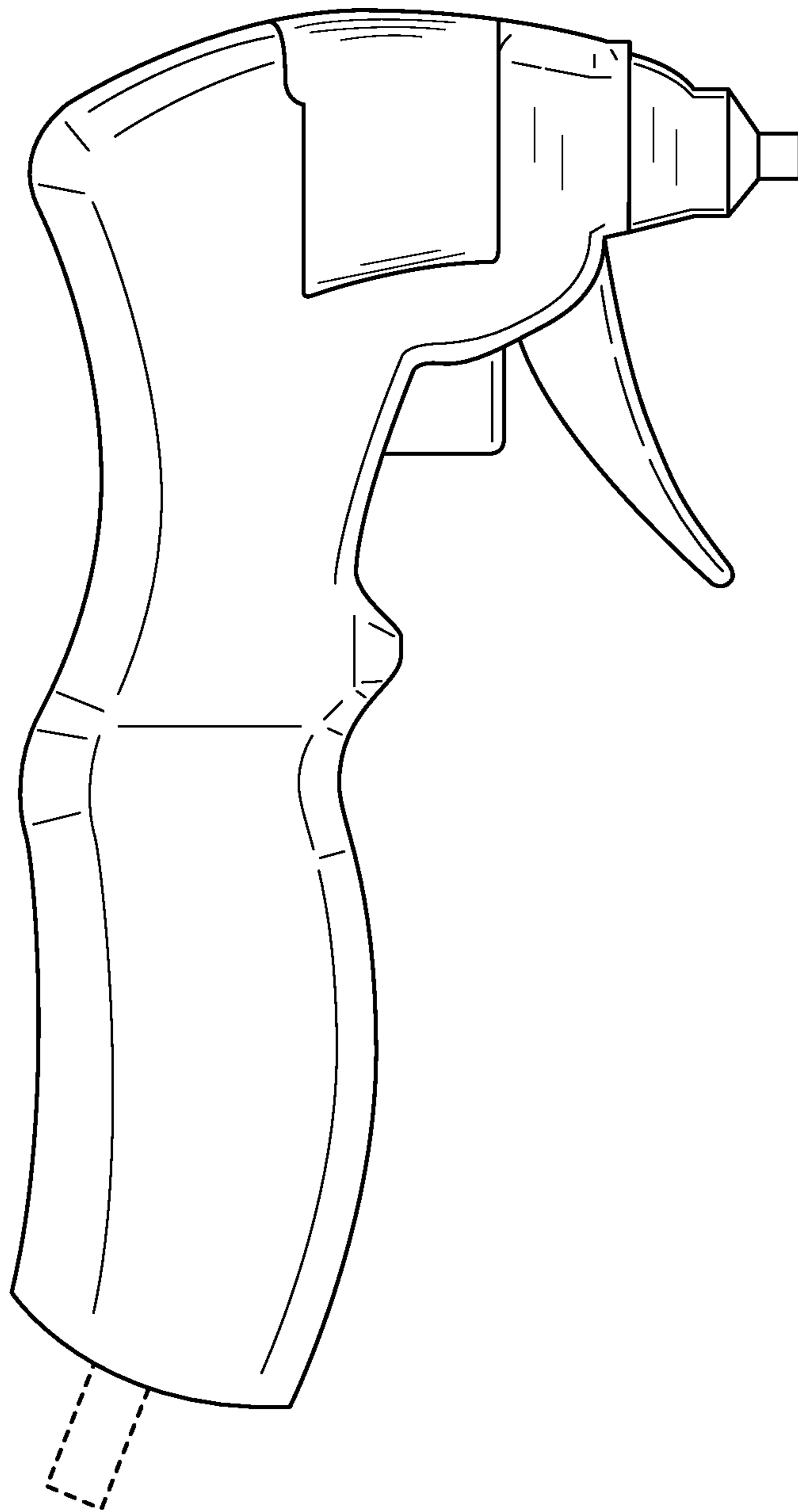


FIG. 4

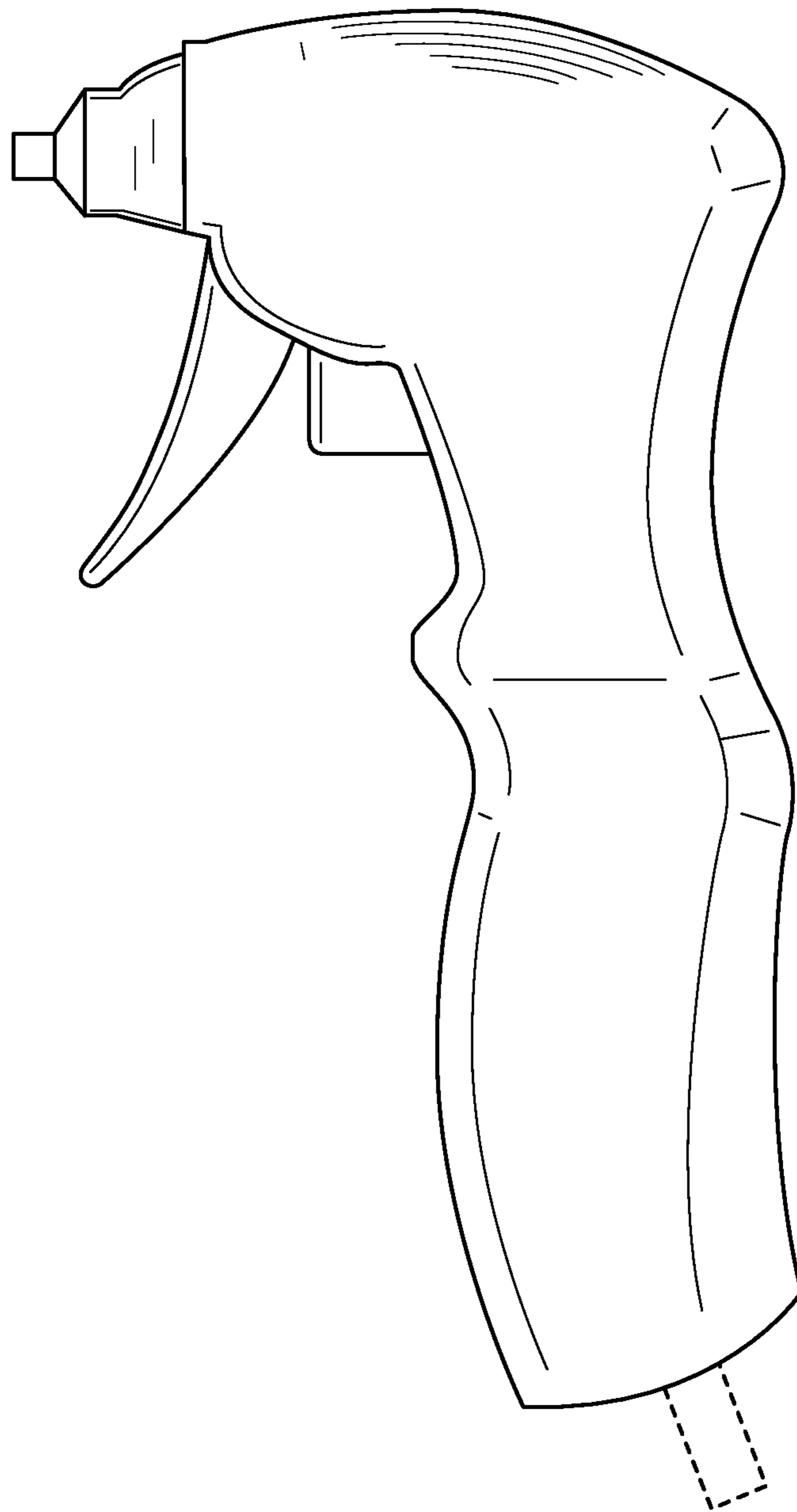


FIG. 5

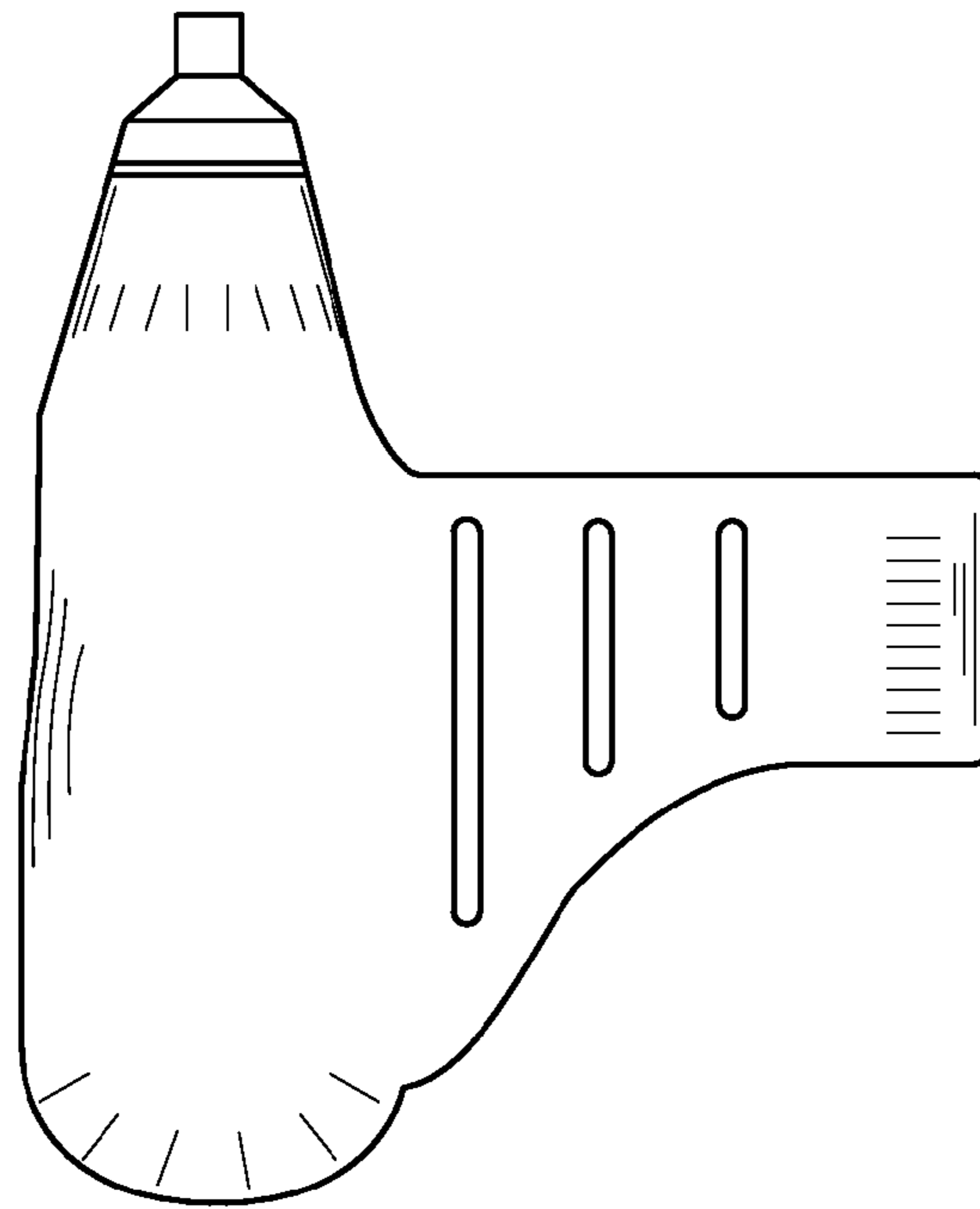


FIG. 6

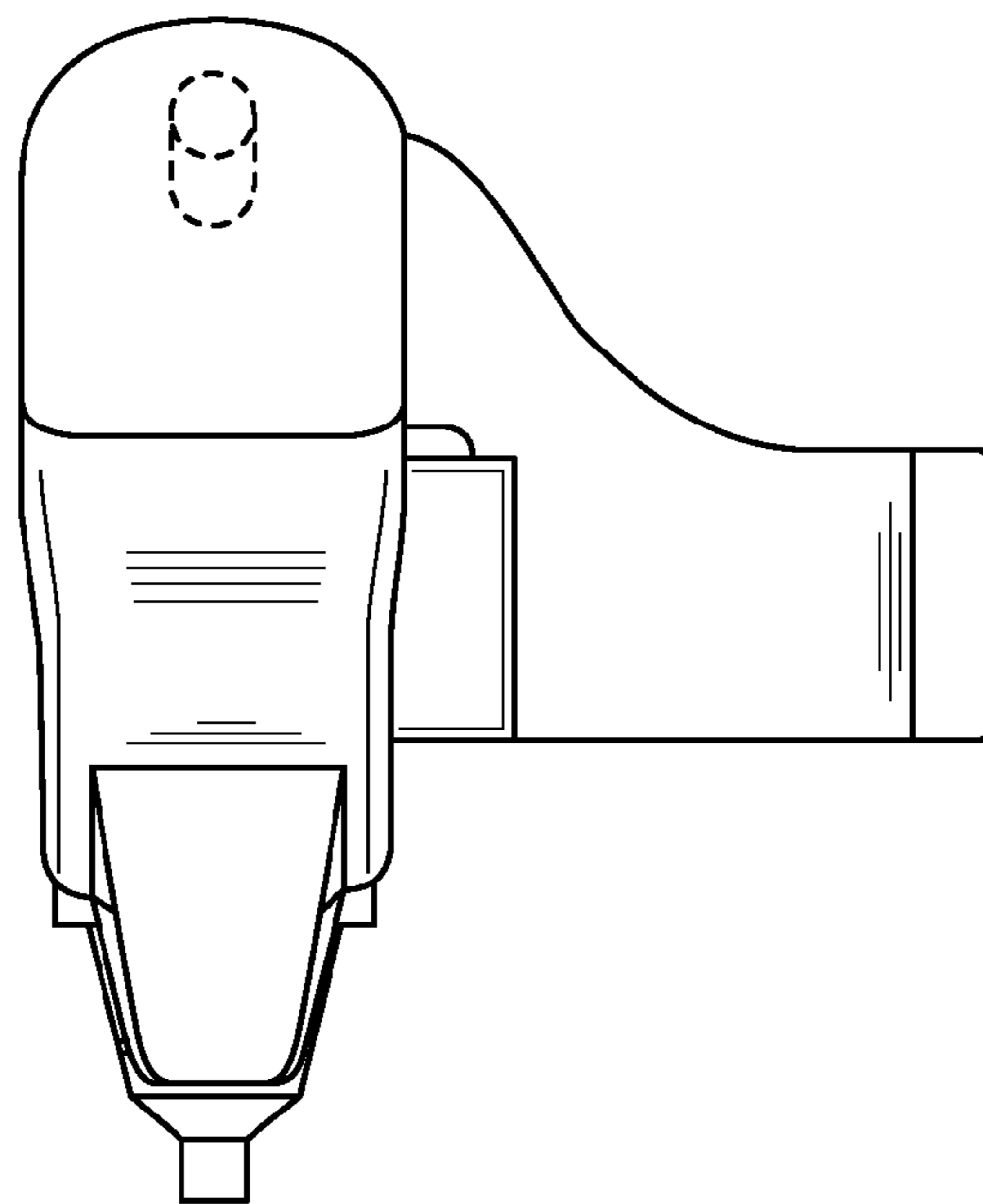


FIG. 7

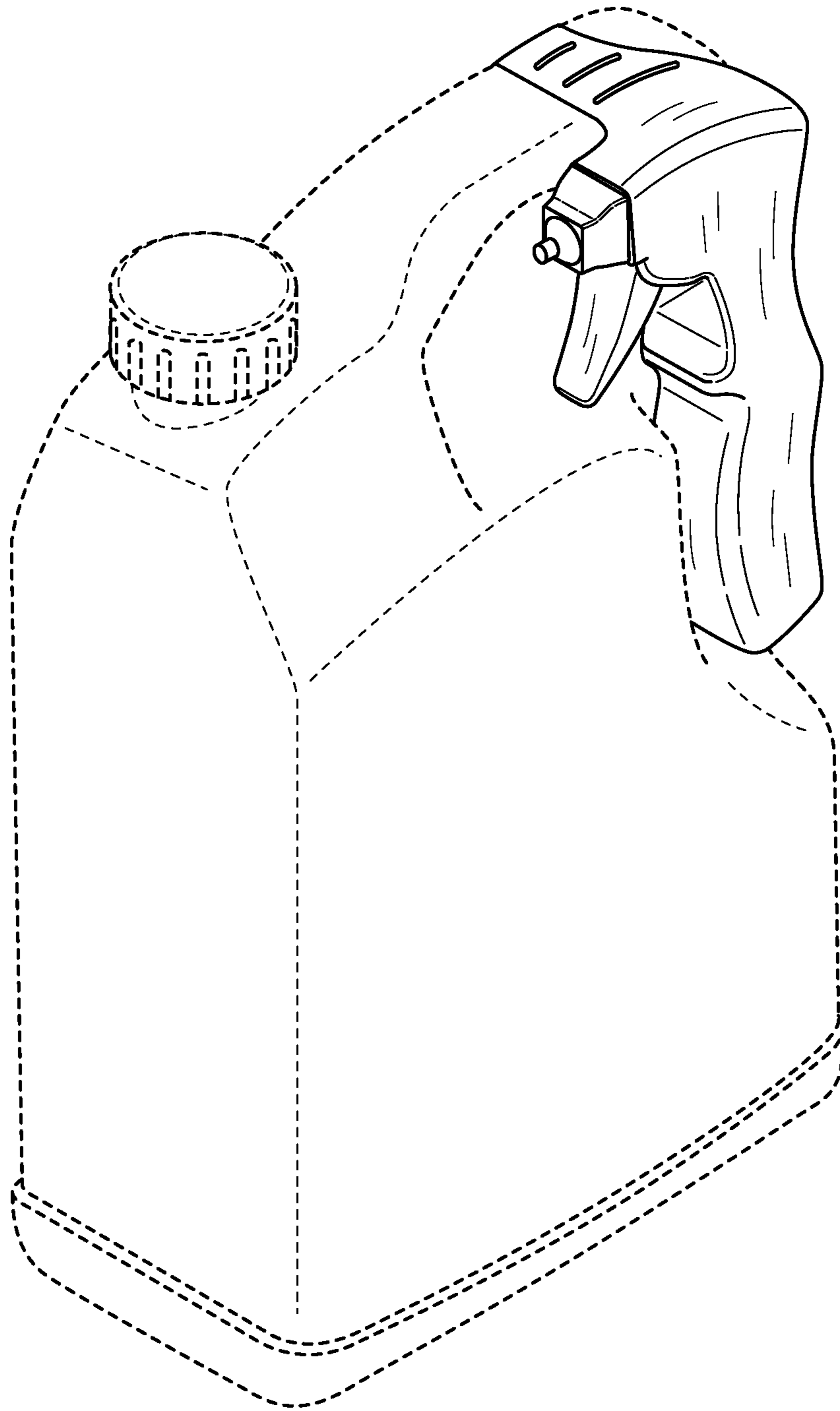


FIG. 8

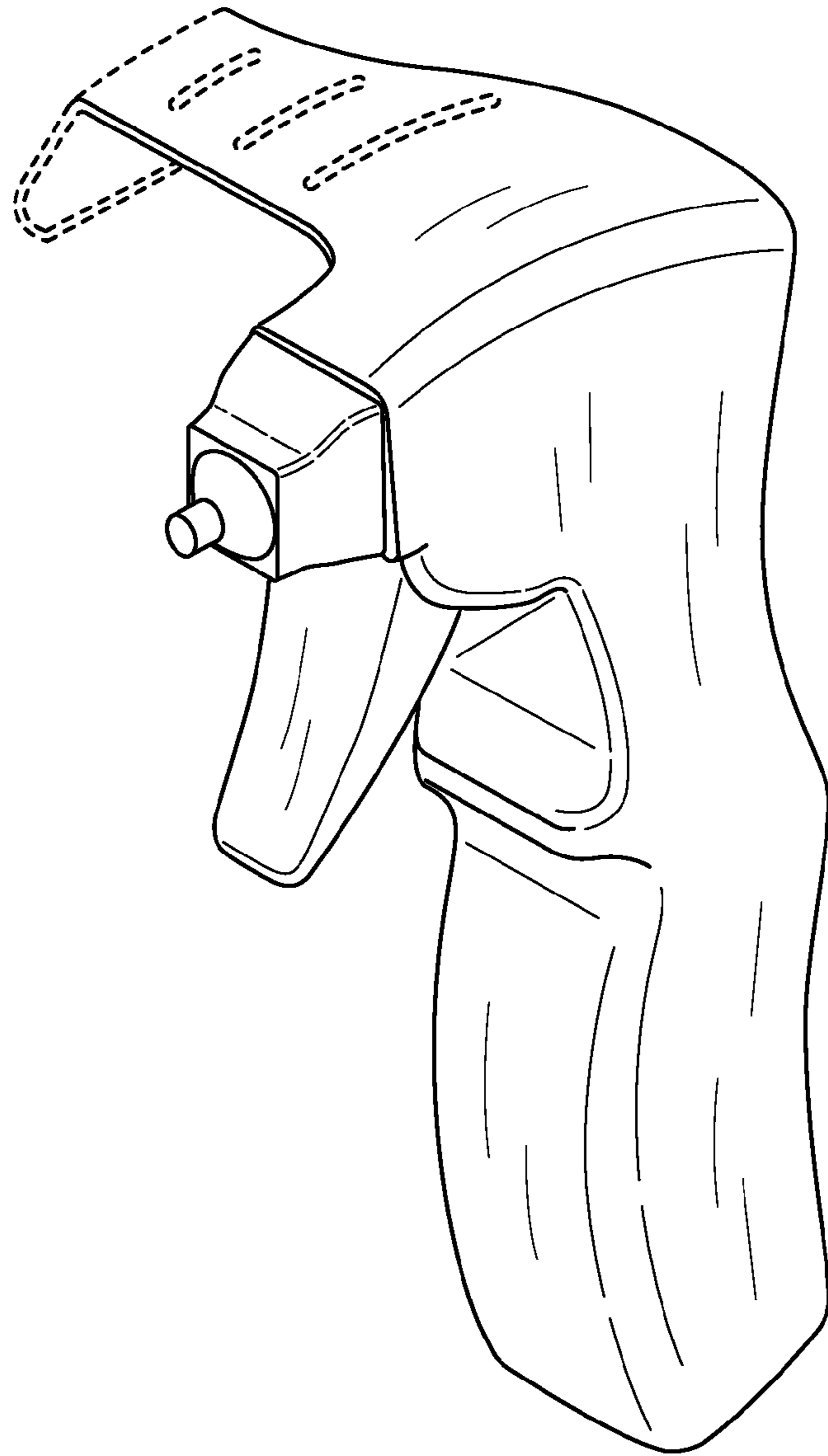


FIG. 9

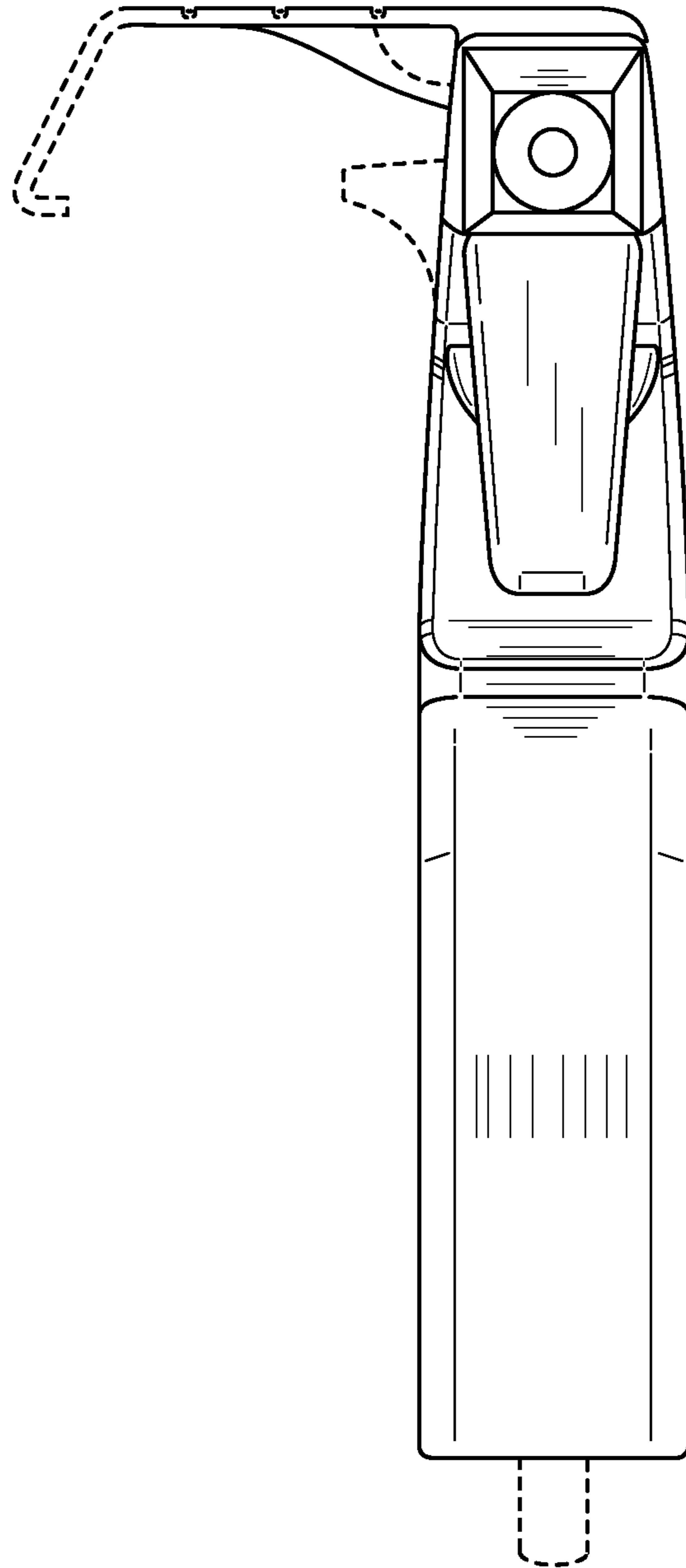


FIG. 10

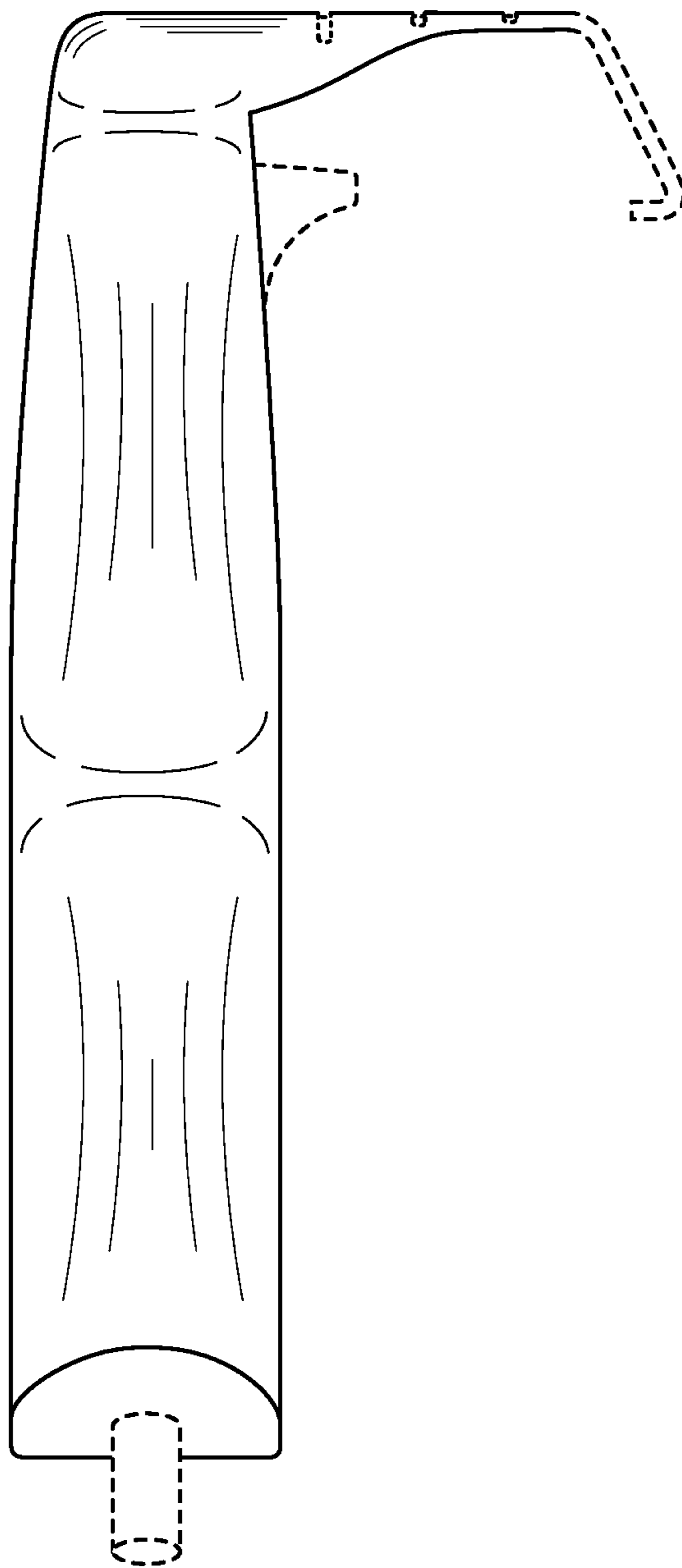


FIG. 11

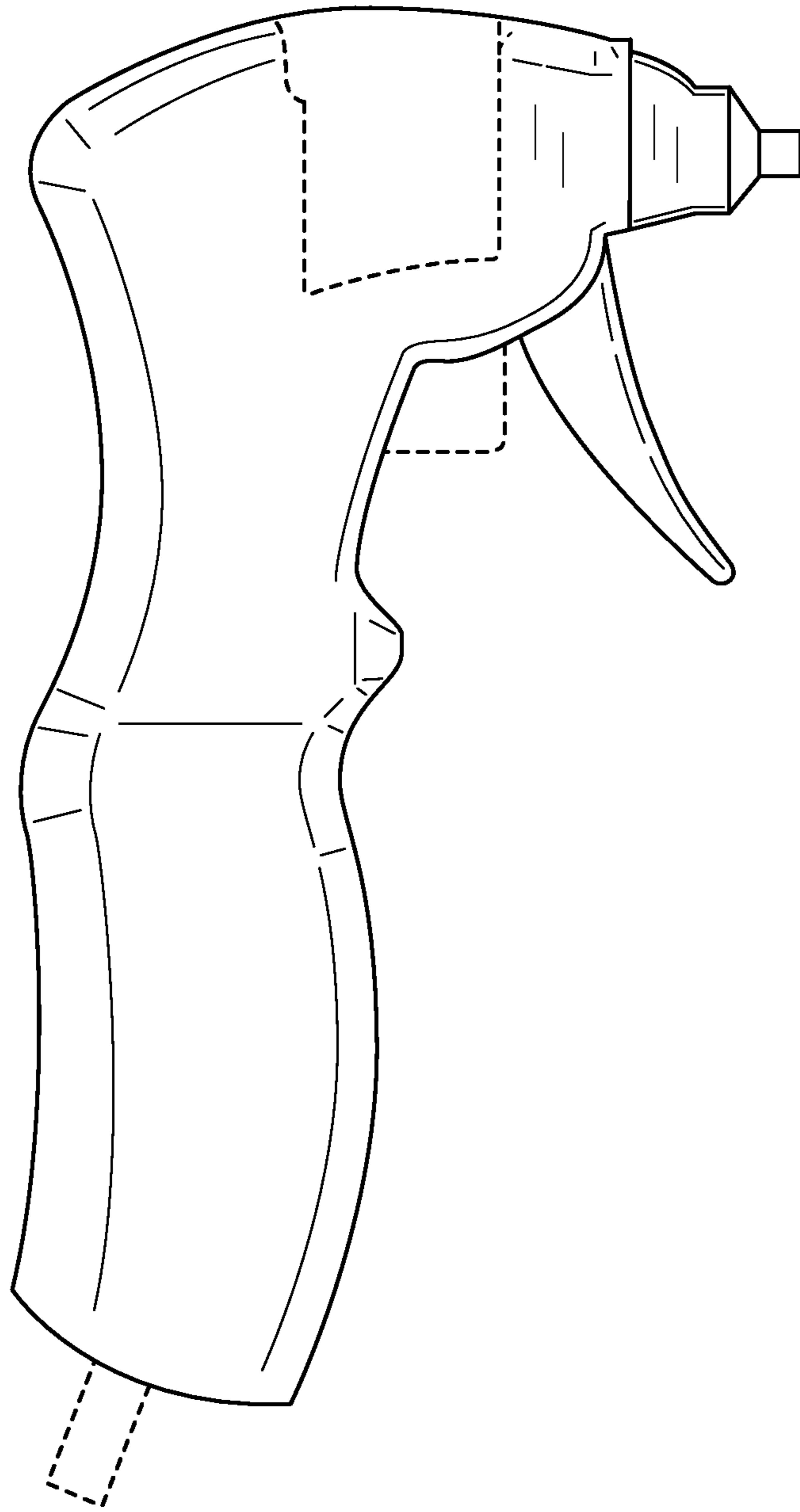


FIG. 12

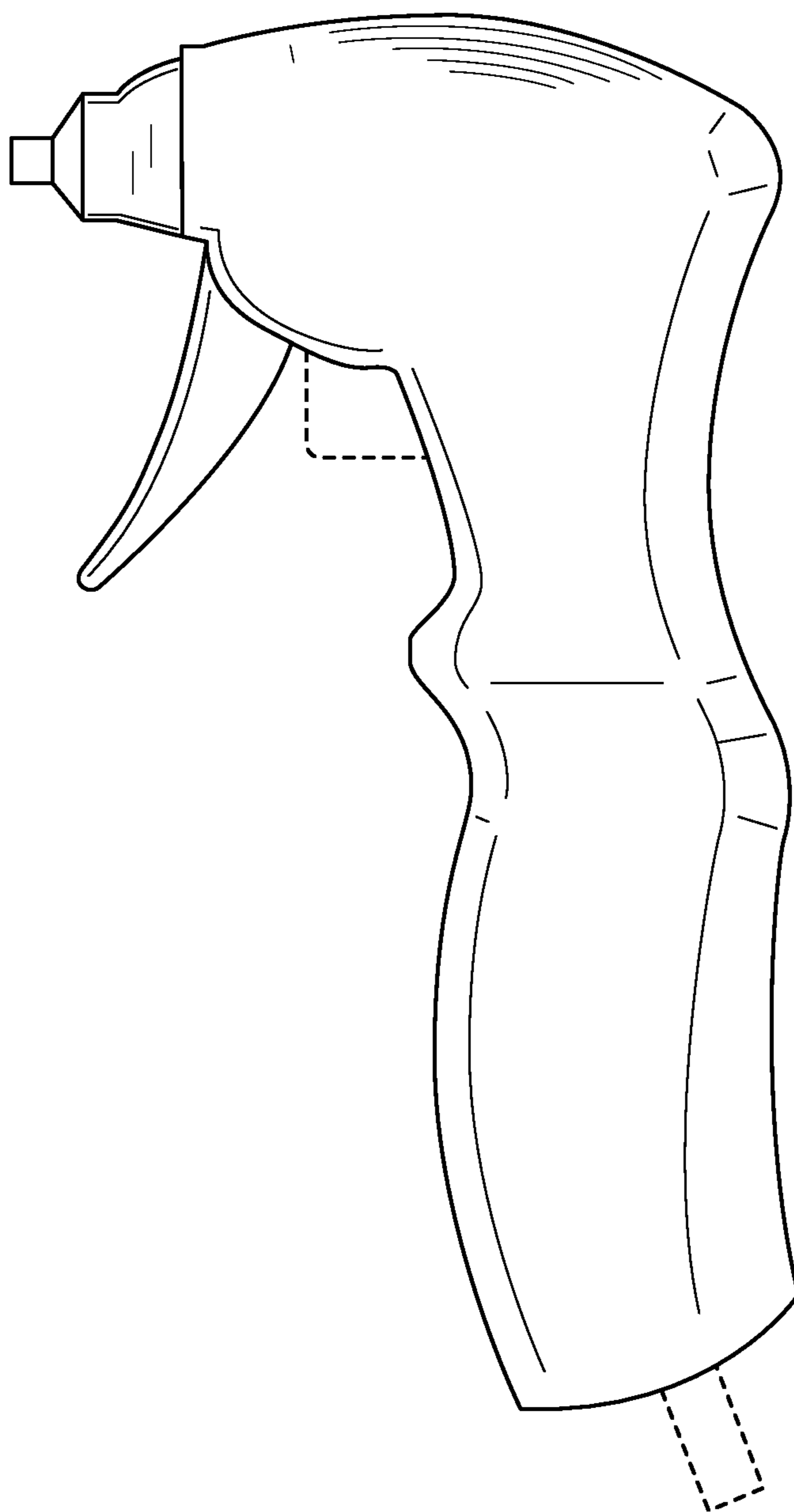


FIG. 13

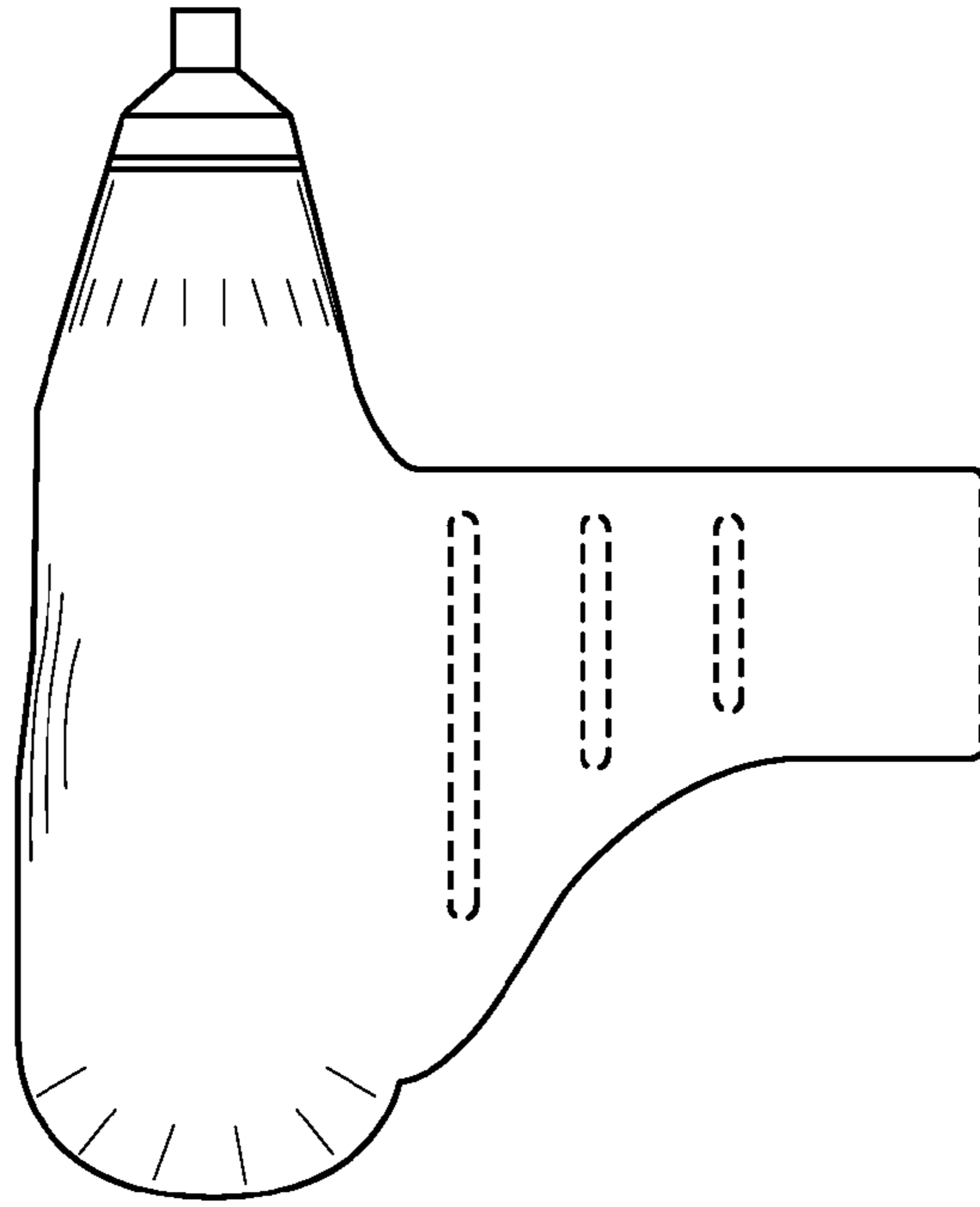


FIG. 14

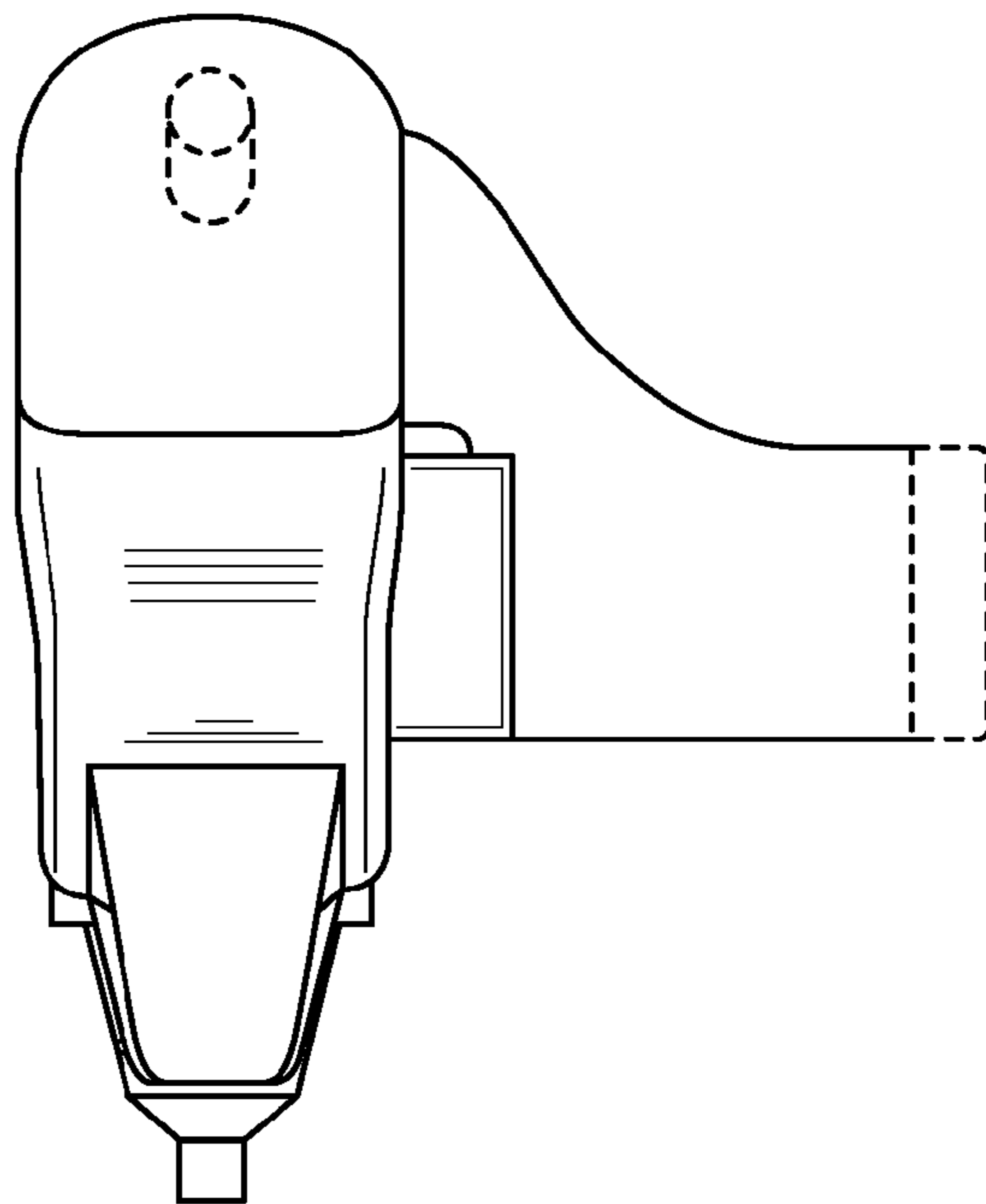


FIG. 15

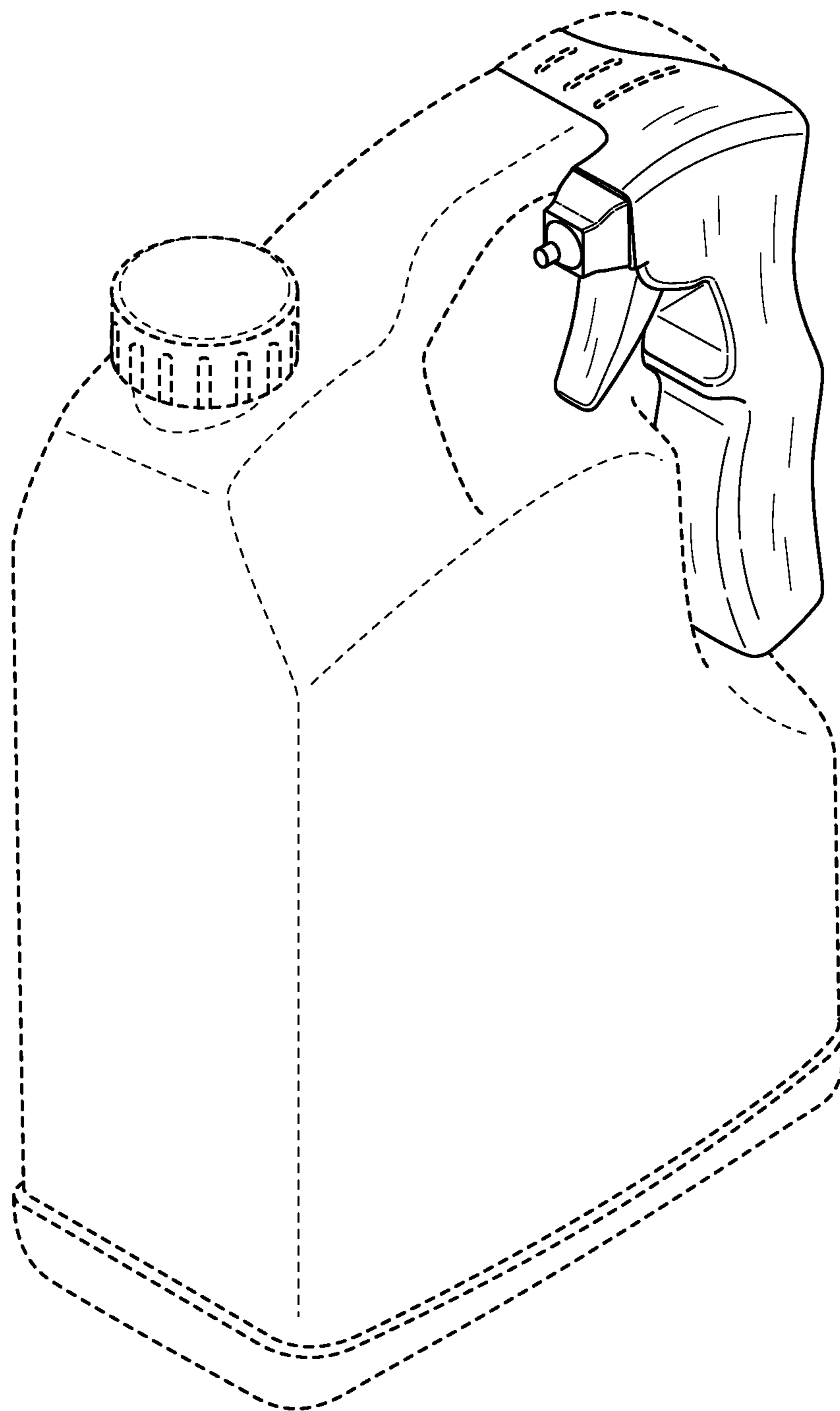


FIG. 16