

US00D712998S

(12) **United States Design Patent**
Gomez

(10) **Patent No.:** **US D712,998 S**

(45) **Date of Patent:** **** Sep. 9, 2014**

(54) **FIREARM BUTTSTOCK ASSEMBLY**

(71) Applicant: **LWRC International, LLC**,
Cambridge, MD (US)
(72) Inventor: **Jesus S. Gomez**, Trappe, MD (US)
(73) Assignee: **LWRC International LLC**, Cambridge,
MD (US)

(**) Term: **14 Years**

(21) Appl. No.: **29/449,534**

(22) Filed: **Mar. 15, 2013**

(51) **LOC (10) Cl.** **22-01**

(52) **U.S. Cl.**
USPC **D22/108**

(58) **Field of Classification Search**
USPC D22/100, 101, 103, 104, 108, 199;
D21/572, 573; 42/51, 90, 71.01, 71.02,
42/73, 75.01, 75.02; 362/160; 89/40.06,
89/37.04, 33.04; 33/334

See application file for complete search history.

(56) **References Cited**

U.S. PATENT DOCUMENTS

2,424,194	A	7/1947	Sampson et al.	
4,735,007	A *	4/1988	Gal	42/72
6,508,027	B1 *	1/2003	Kim	42/124
7,596,900	B2 *	10/2009	Robinson et al.	42/7
7,966,760	B2 *	6/2011	Fitzpatrick et al.	42/72
8,061,072	B1	11/2011	Croze	
8,245,429	B2 *	8/2012	Kuczynko et al.	42/73
2010/0186276	A1 *	7/2010	Herring	42/6

OTHER PUBLICATIONS

Rob Curtis; AAC's MPW "Honey Badger" don't care . . . ; Military Times GearScout (<http://blogs.militarytimes.com/gearscout/2011/10/15/aacs-mpw-honey-badger-dont-care/>); Oct. 15, 2011 [Retrieved on May 17, 2013] (2 web pages), plus 4 enlarged photographs from the web pages.

* cited by examiner

Primary Examiner — Michael A Pratt

(74) *Attorney, Agent, or Firm* — Squire Patton Boggs (US) LLP

(57) **CLAIM**

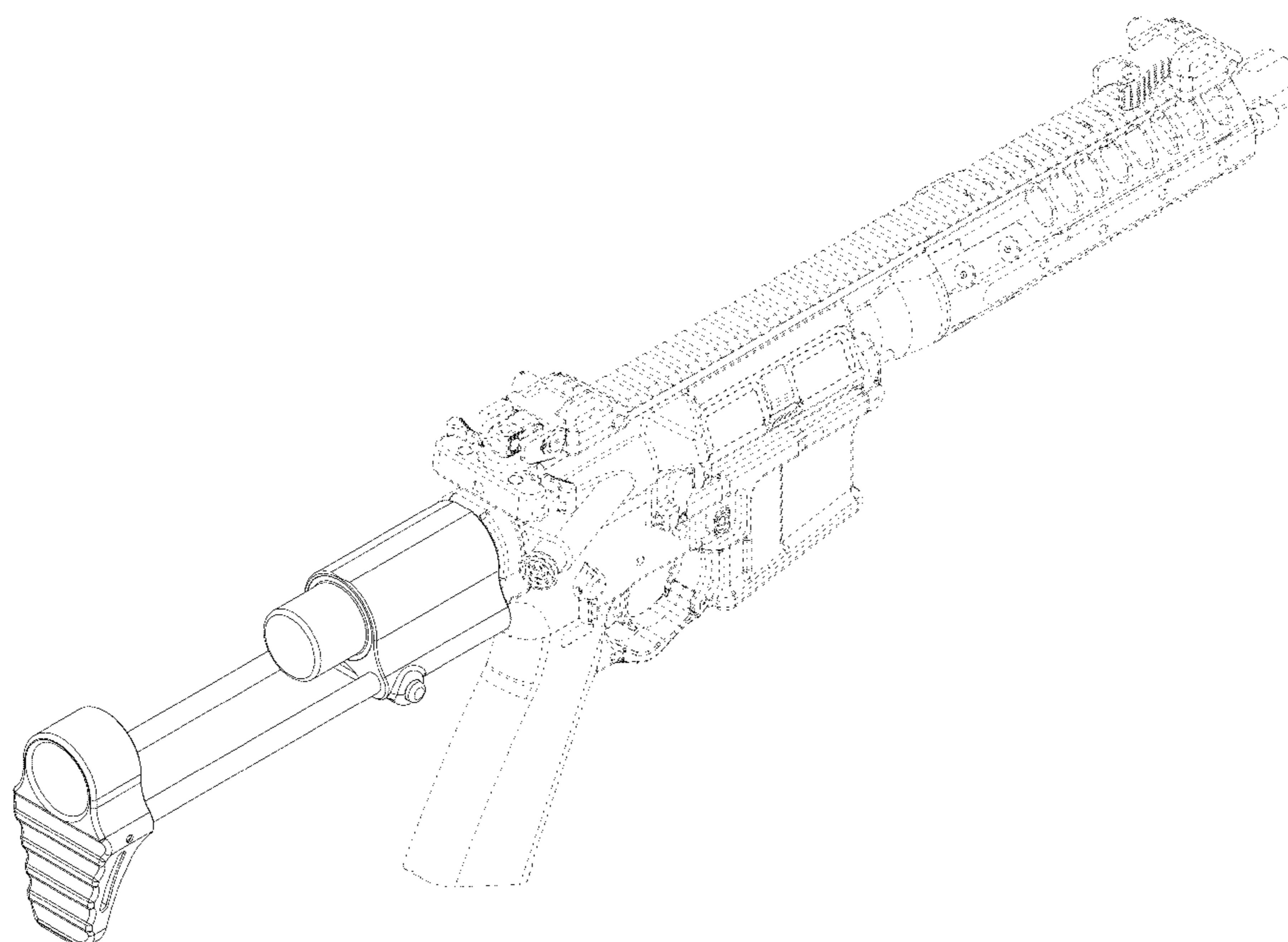
I claim the ornamental design for a firearm buttstock assembly, as shown.

DESCRIPTION

FIG. 1 is a perspective side view showing my design for a firearm buttstock assembly secured to an autoloading rifle; FIG. 2 is a right side view thereof; FIG. 3 is a left side view thereof; FIG. 4 is a front view thereof; FIG. 5 is a back view thereof; FIG. 6 is a top view thereof; and, FIG. 7 is a bottom view thereof.

The portions of the autoloading rifle shown in broken lines are for illustrative purposes only and form no part of the inventive design.

1 Claim, 7 Drawing Sheets



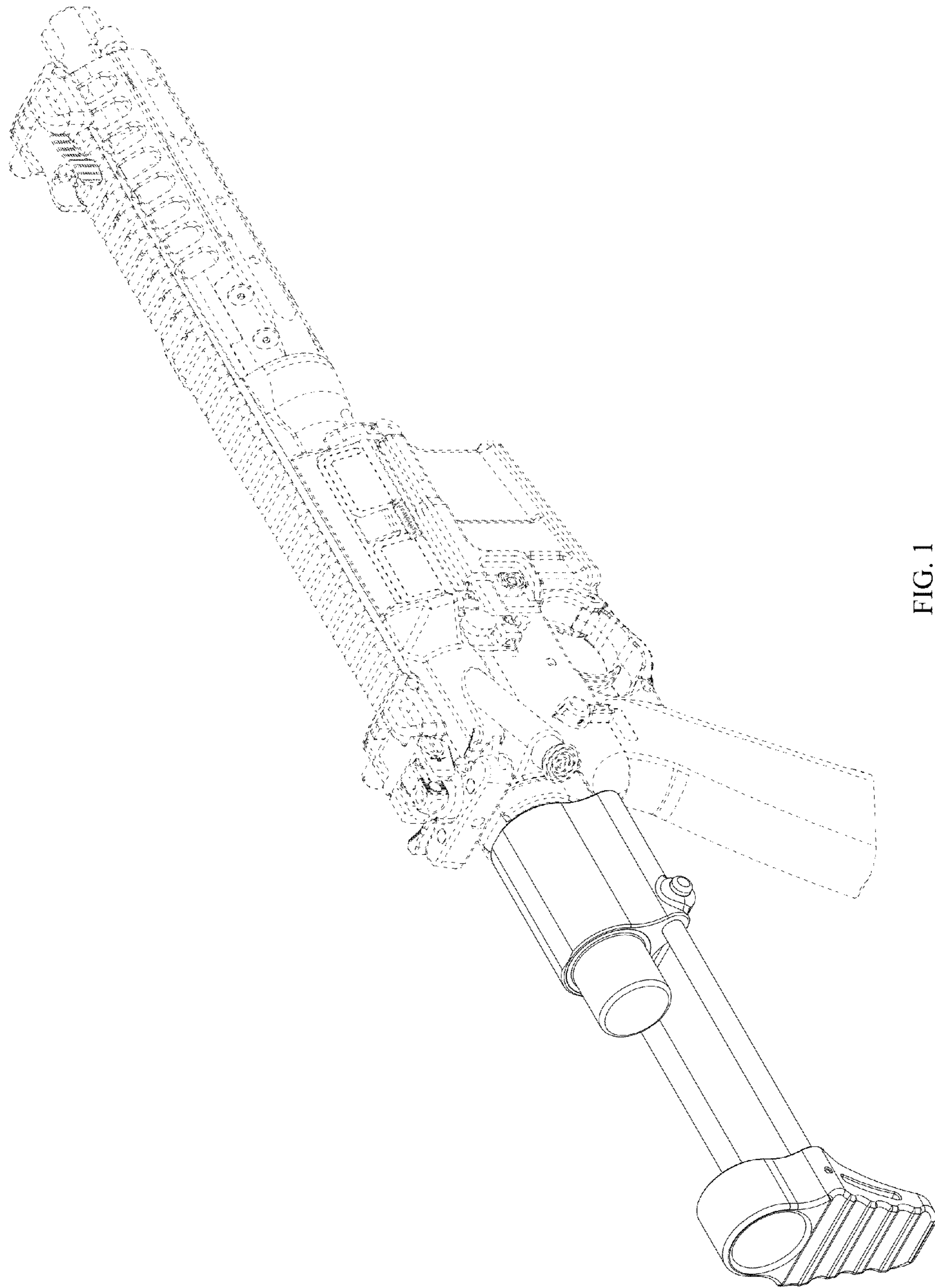


FIG. 1

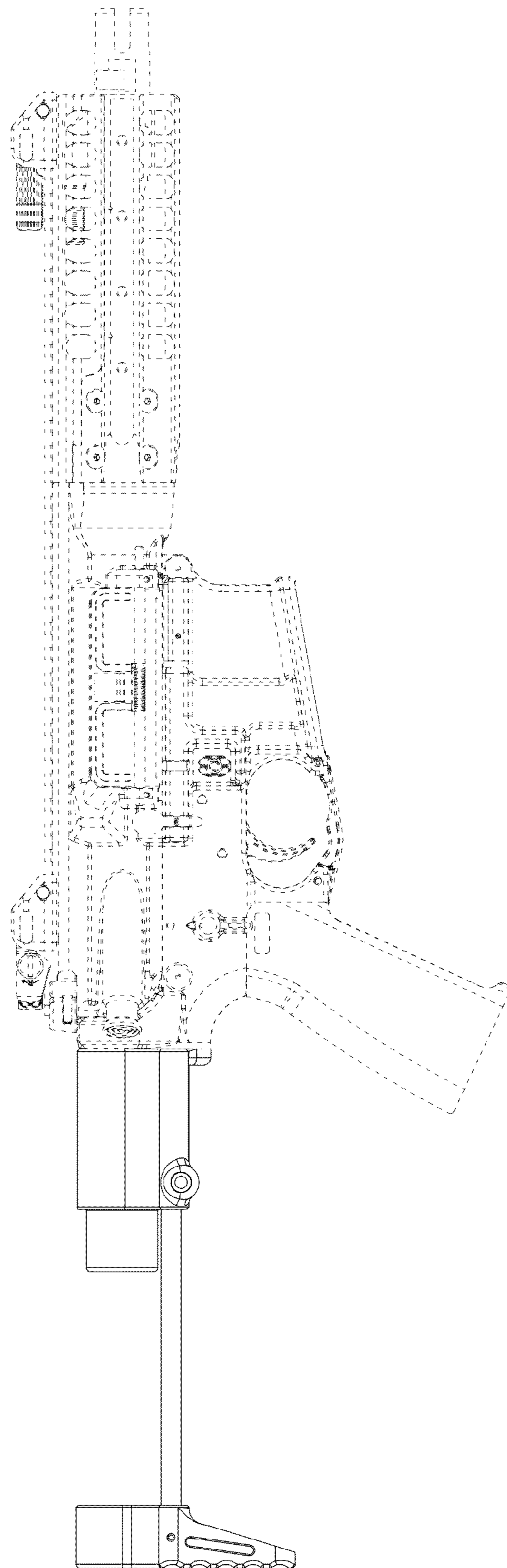


FIG. 2

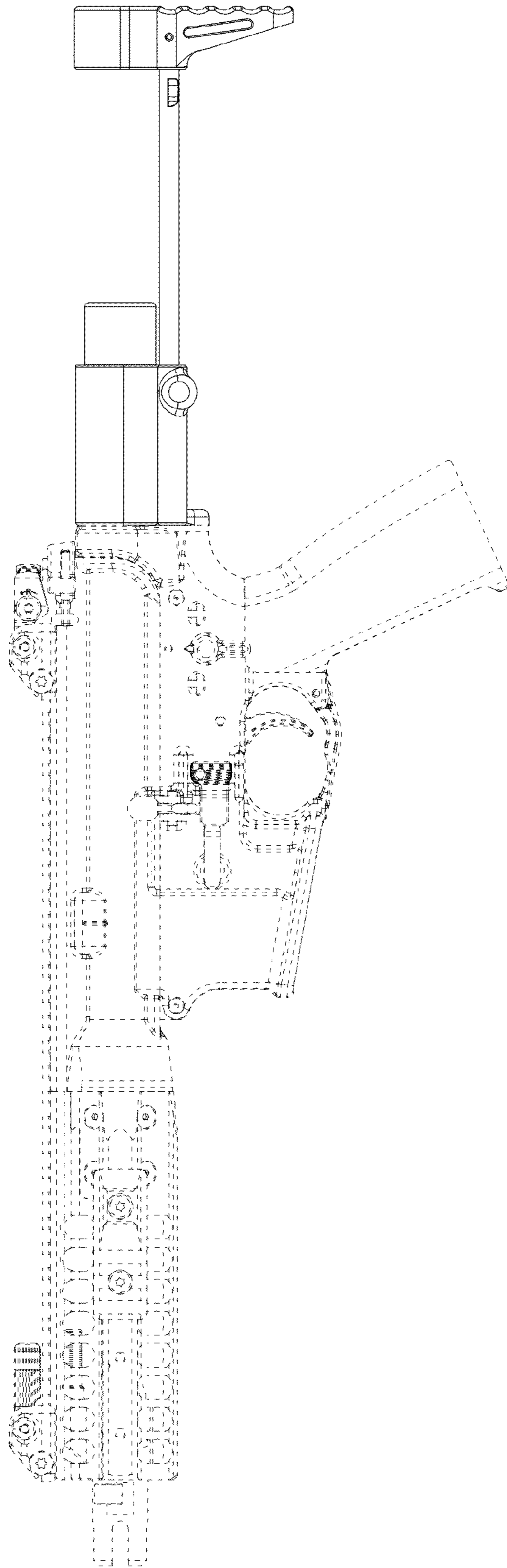


FIG. 3

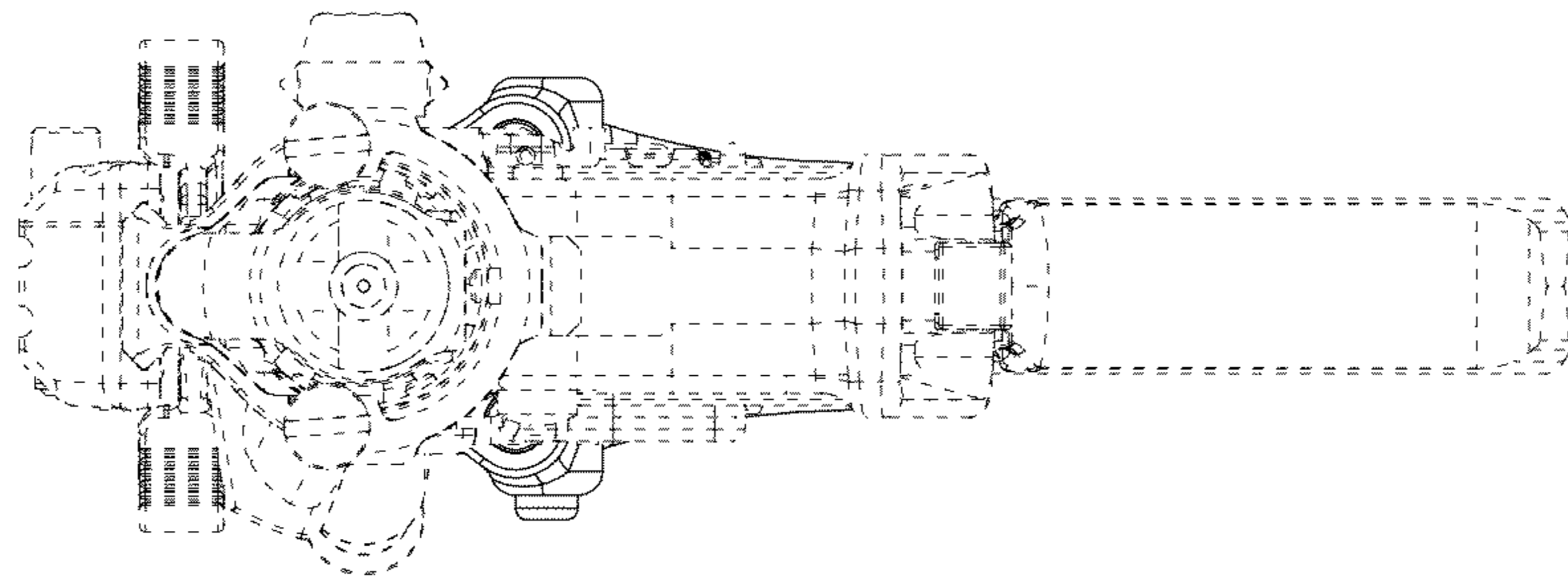


FIG. 4

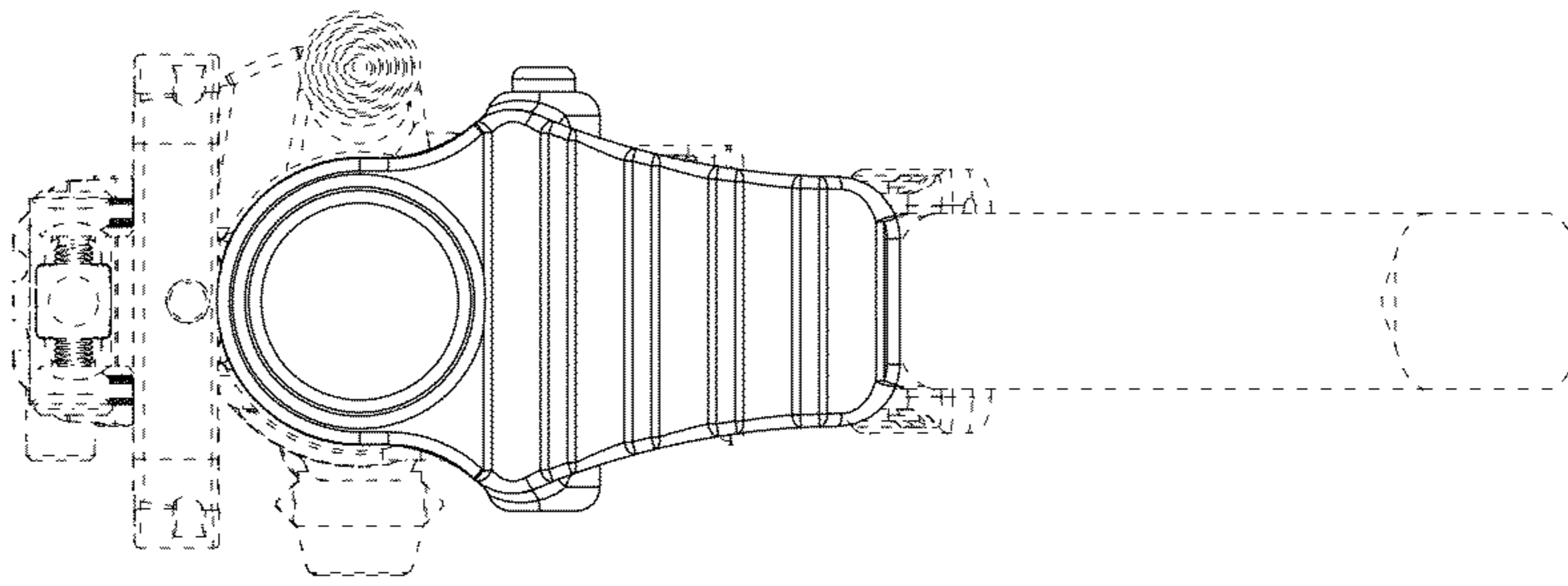


FIG. 5

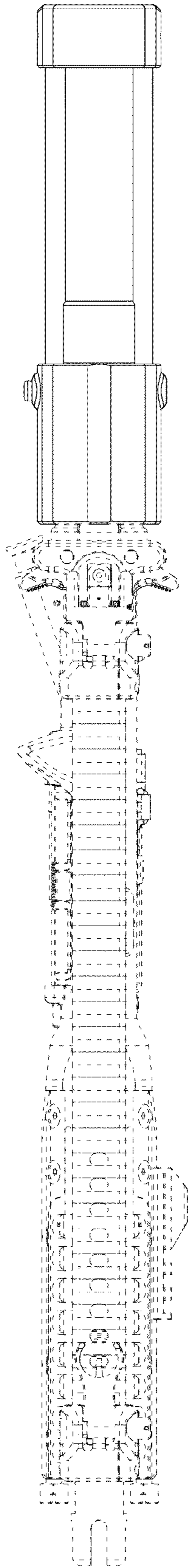


FIG. 6

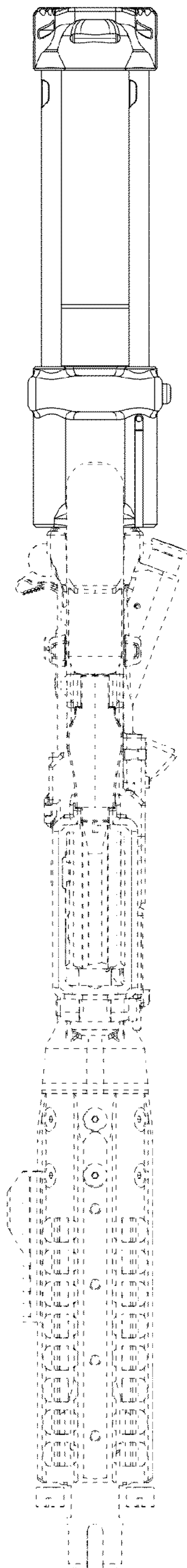


FIG. 7