



US00D712994S

(12) **United States Design Patent**
Larson

(10) **Patent No.:** **US D712,994 S**

(45) **Date of Patent:** **** Sep. 9, 2014**

(54) **PORTABLE ENCLOSURE**

(71) Applicant: **Cabela's Incorporated**, Sidney, NE
(US)

(72) Inventor: **Edward Arnold Larson**, Dalton, NE
(US)

(73) Assignee: **Cabela's Incorporated**, Sidney, NE
(US)

(**) Term: **14 Years**

(21) Appl. No.: **29/459,347**

(22) Filed: **Jun. 28, 2013**

(51) **LOC (10) Cl.** **21-04**

(52) **U.S. Cl.**
USPC **D21/838**

(58) **Field of Classification Search**
CPC ... A47C 29/006; A01M 31/025; E04H 15/00;
E04H 15/001; E04H 15/02; E04H 15/32;
E04H 15/48; E04H 15/54; E04H 15/405
USPC D21/834, 838, 839; D22/199; D25/16;
135/115, 117, 121, 143, 901; 43/1
See application file for complete search history.

(56) **References Cited**

U.S. PATENT DOCUMENTS

4,719,935	A *	1/1988	Gustafson	135/124
D369,416	S *	4/1996	Davis	D25/16
5,730,080	A *	3/1998	Cripe	114/344
6,694,995	B1 *	2/2004	Ransom	135/128
6,698,131	B2 *	3/2004	Latschaw	43/1
8,381,750	B2 *	2/2013	Desouches et al.	135/115

2004/0000084	A1 *	1/2004	Latschaw	43/1
2011/0126873	A1 *	6/2011	Desouches et al.	135/121
2013/0146113	A1 *	6/2013	Hawk et al.	135/143

* cited by examiner

Primary Examiner — Cynthia M Chin
(74) *Attorney, Agent, or Firm* — Quarles & Brady LLP

(57) **CLAIM**

The ornamental design for a portable enclosure, as shown and described.

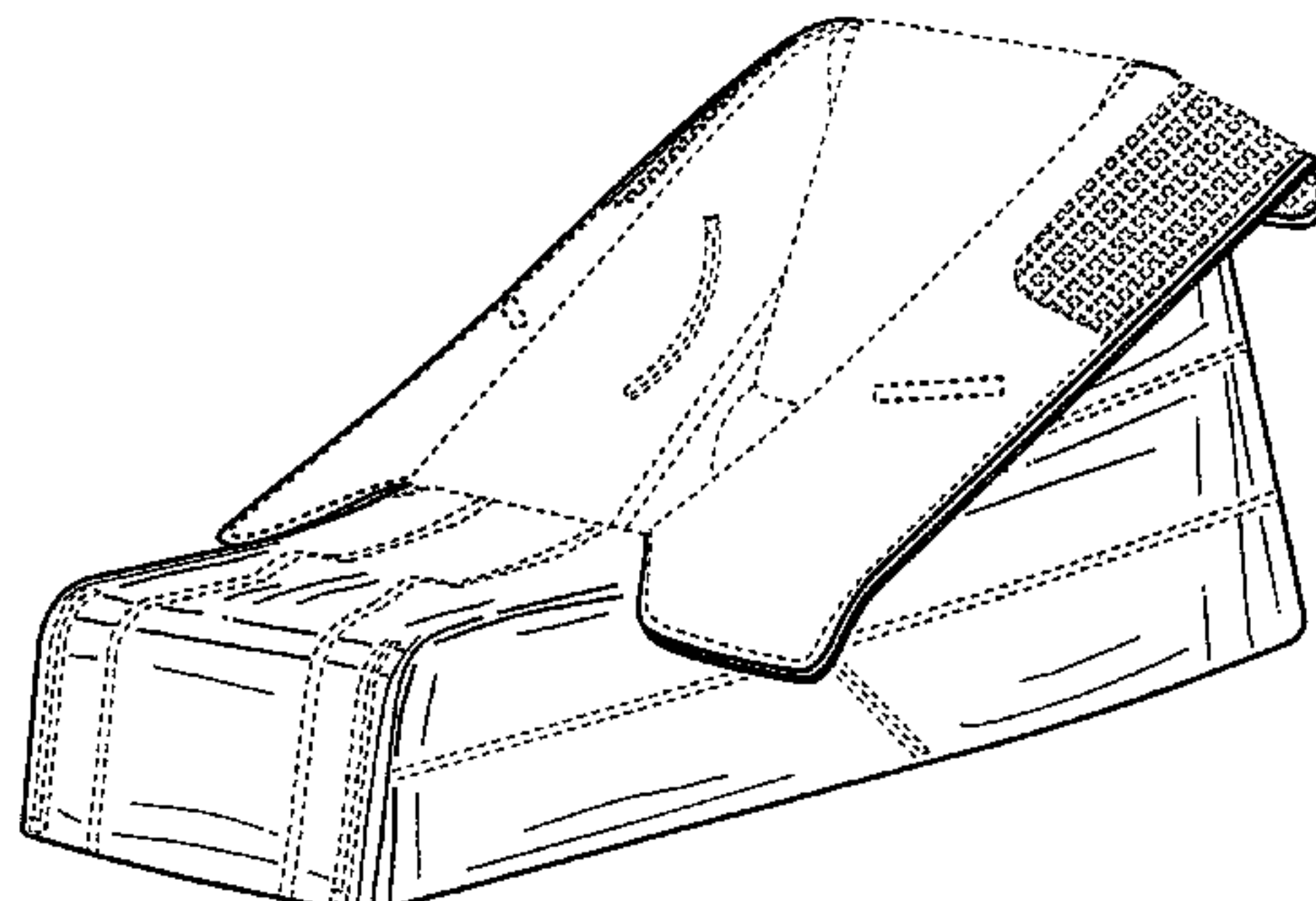
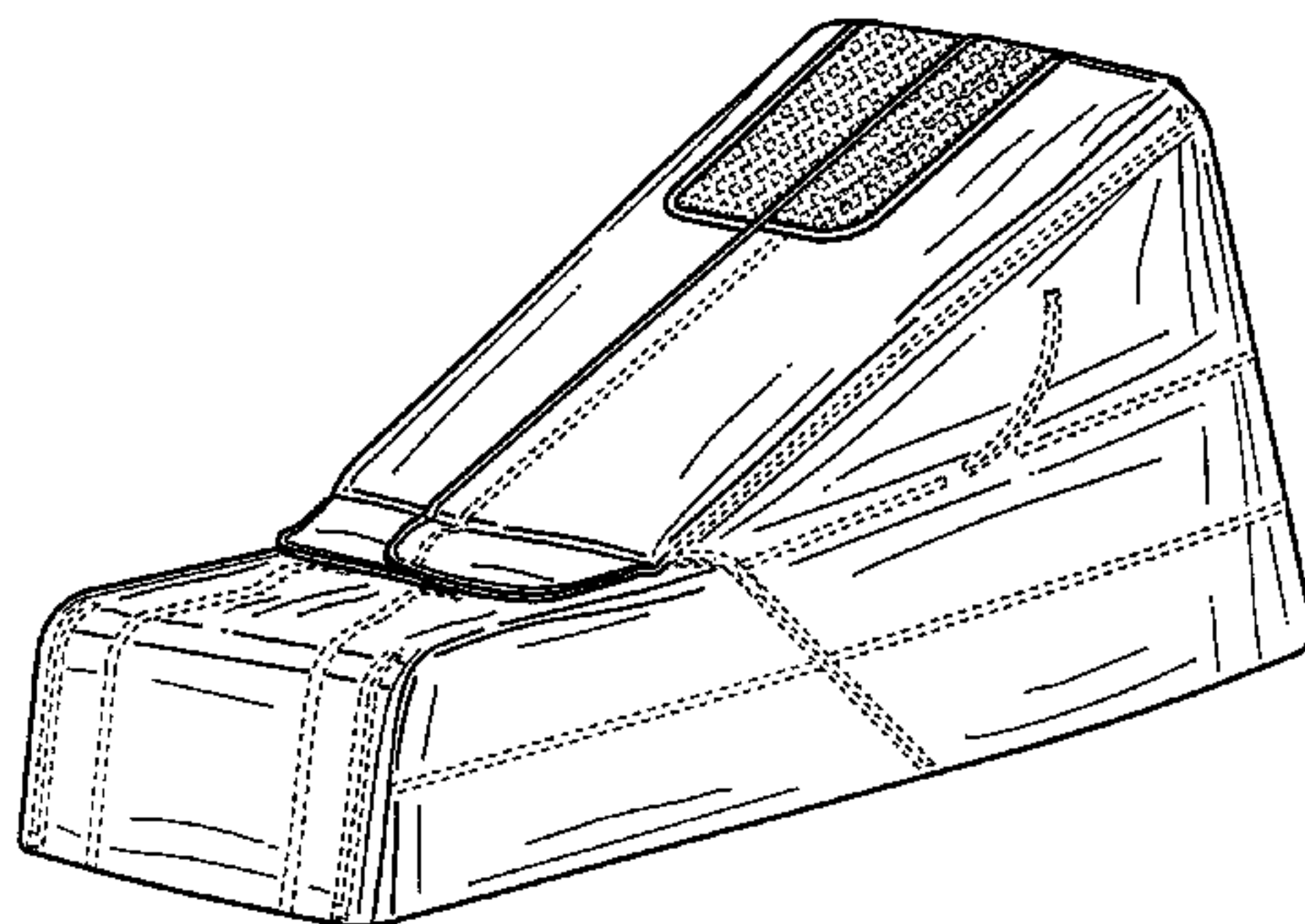
DESCRIPTION

FIG. 1 is a top, front, right perspective view of a portable enclosure embodying my new design;
FIG. 2 is a right side elevational view thereof;
FIG. 3 is a left side elevational view thereof;
FIG. 4 is a top plan view thereof;
FIG. 5 is a front elevational view thereof;
FIG. 6 is a rear elevational view thereof;
FIG. 7 is a bottom plan view thereof;
FIG. 8 is a top, front, right perspective view of the portable enclosure of FIG. 1, shown in an open configuration;
FIG. 9 is a right side elevational view thereof;
FIG. 10 is a left side elevational view thereof;
FIG. 11 is a top plan view thereof;
FIG. 12 is a front elevational view thereof;
FIG. 13 is a rear elevational view thereof; and,
FIG. 14 is a bottom plan view thereof.

The broken line representations in the figures show unclaimed environment, including exterior seams, zippers, edging and perforated panels and interior seat, backrest and door handle features. The dash-dot broken lines shown in FIGS. 7 and 14 represent the bounds of the claim. None of the broken lines form a part of the claimed design.

The nature of this product is a portable enclosure, such as a tent or a hunting blind, for enclosing a person therein.

1 Claim, 12 Drawing Sheets



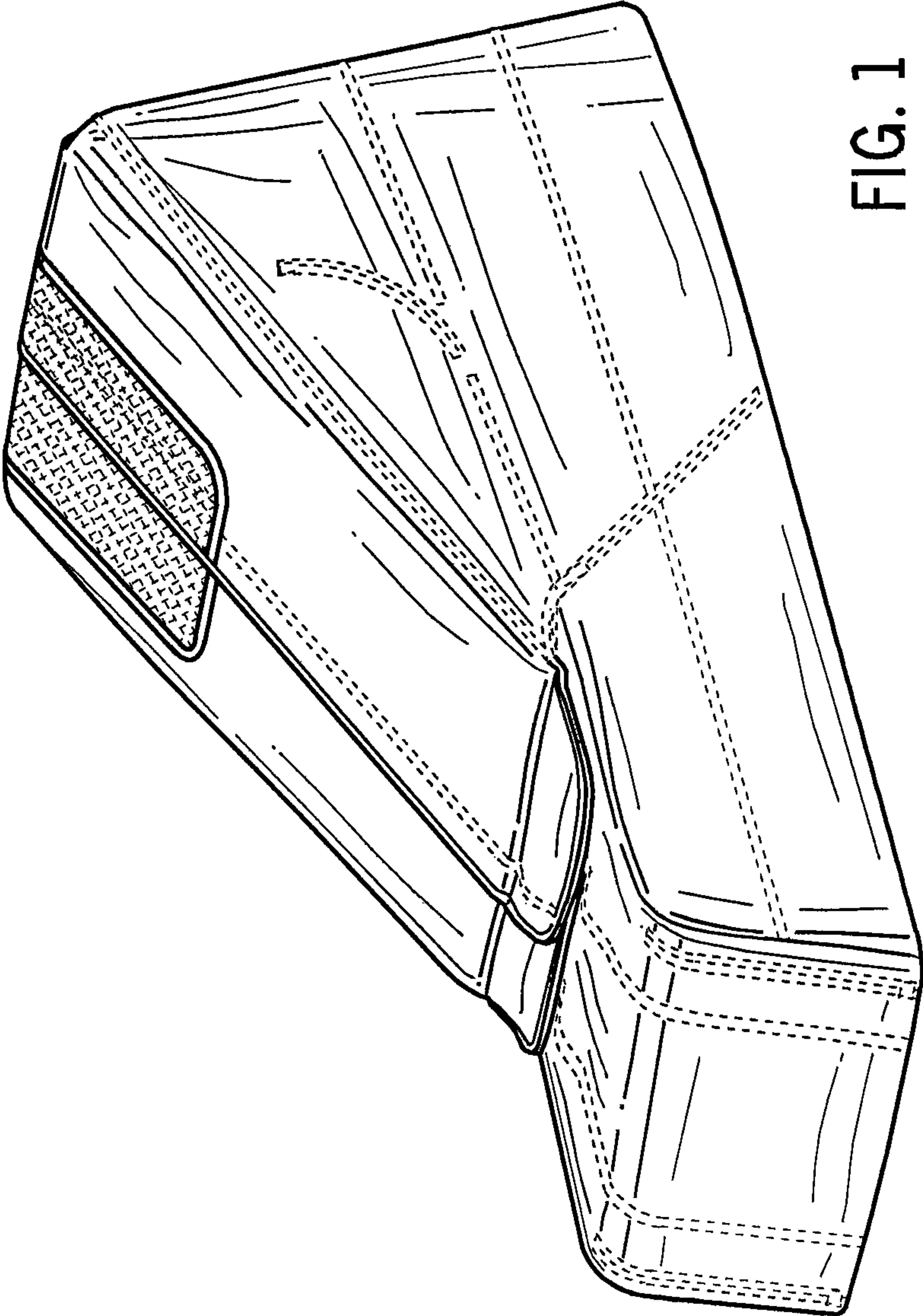


FIG. 1

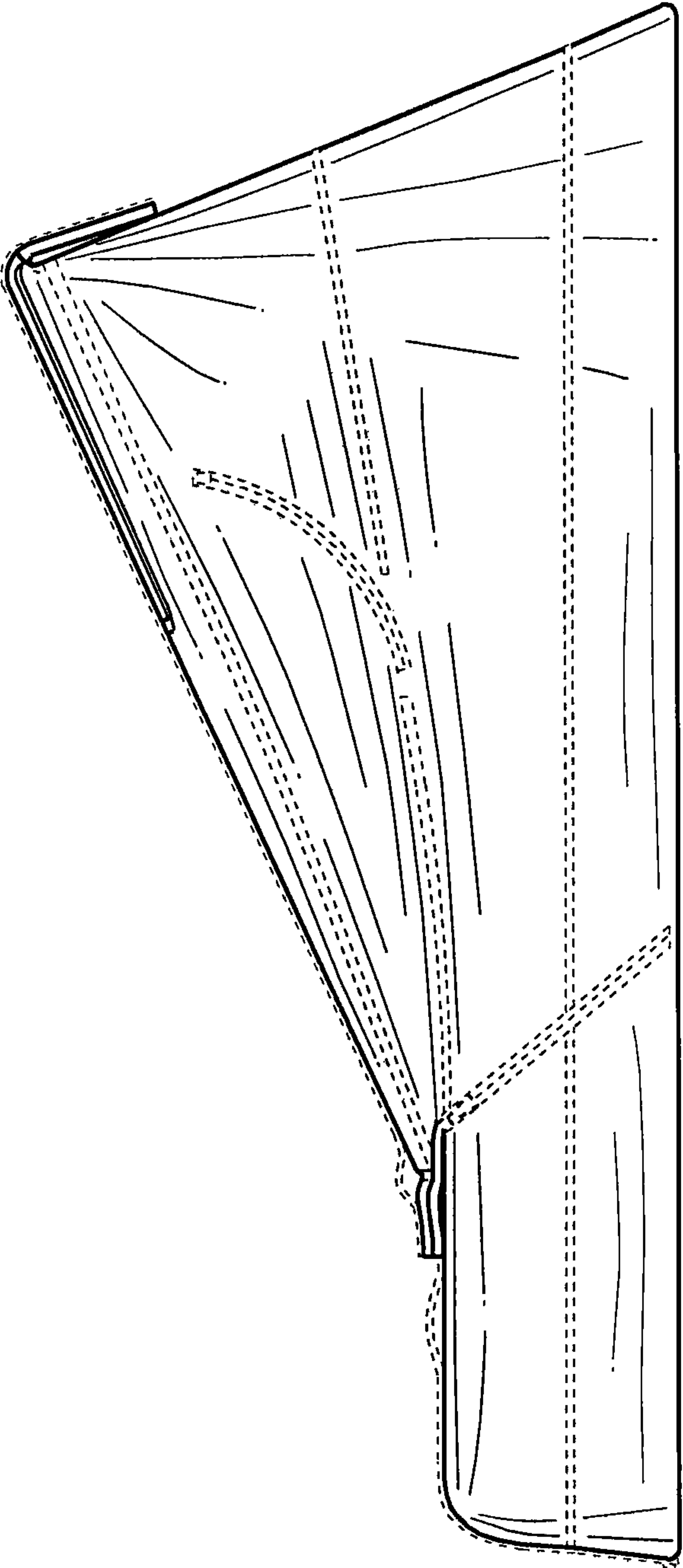


FIG. 2

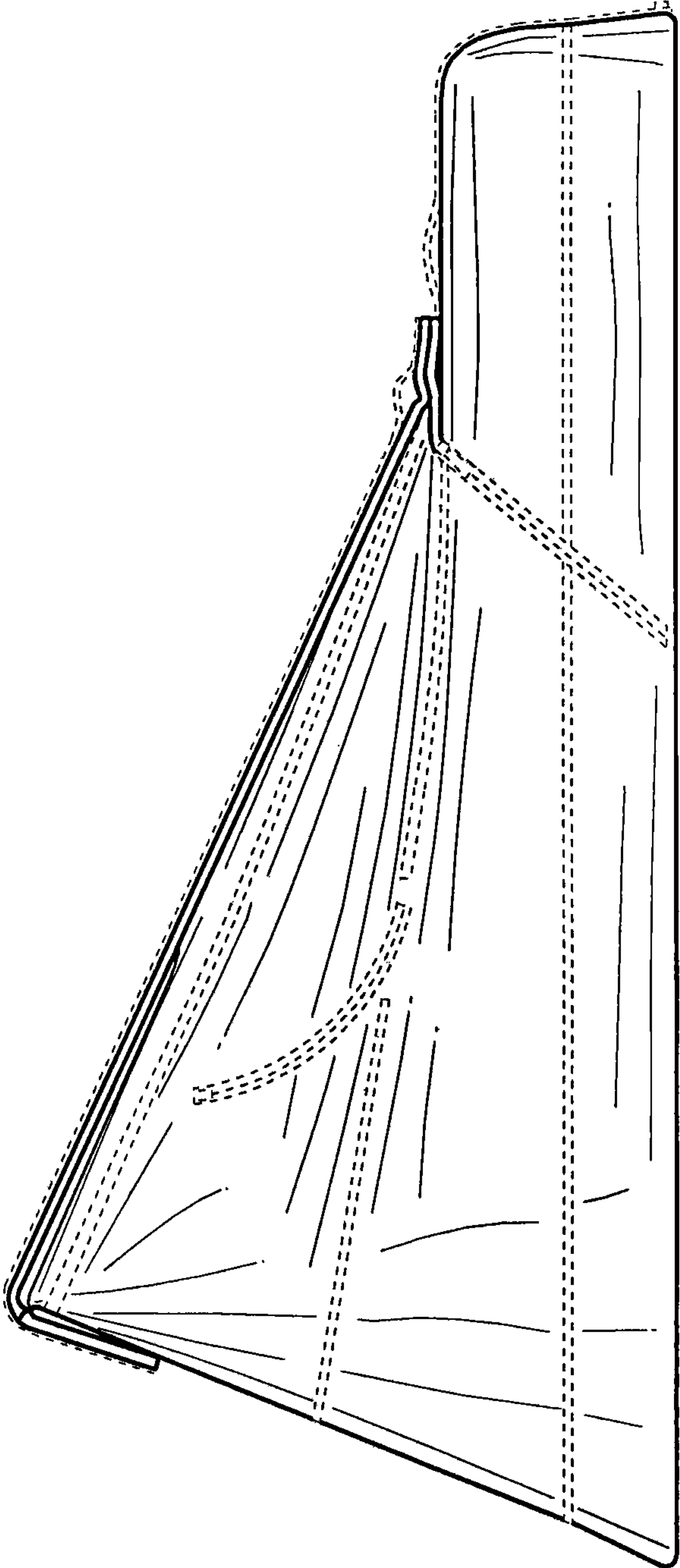


FIG. 3

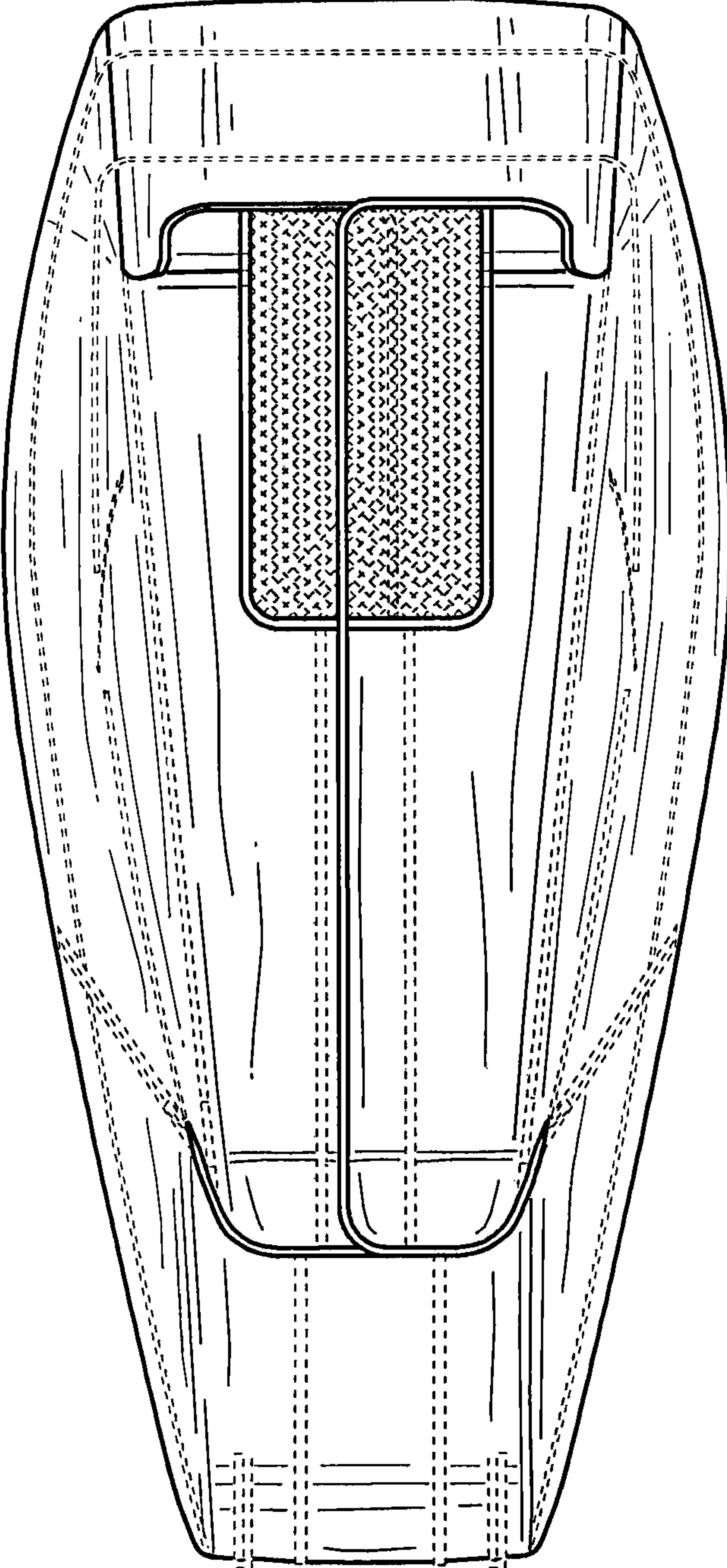


FIG. 4

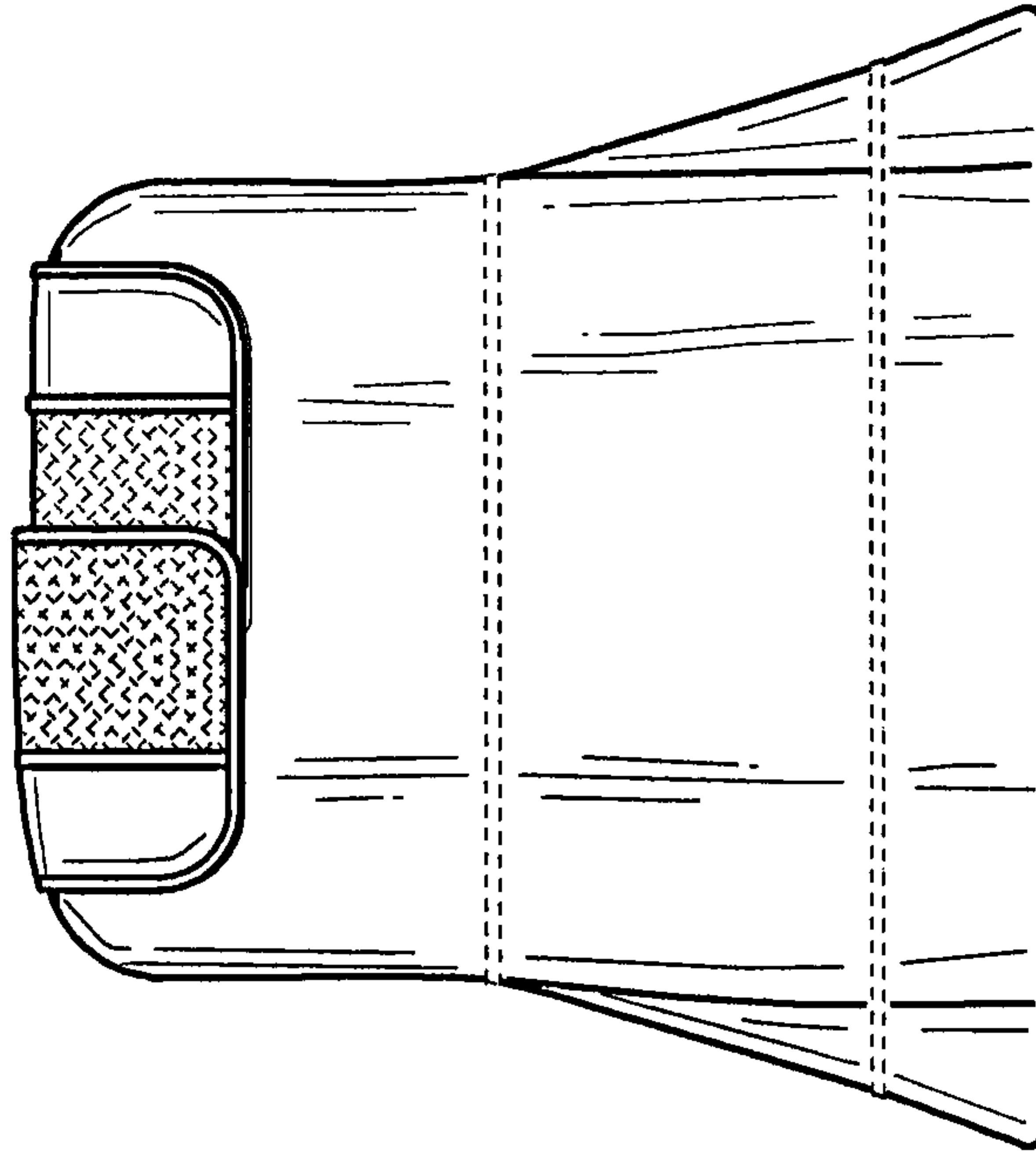


FIG. 6

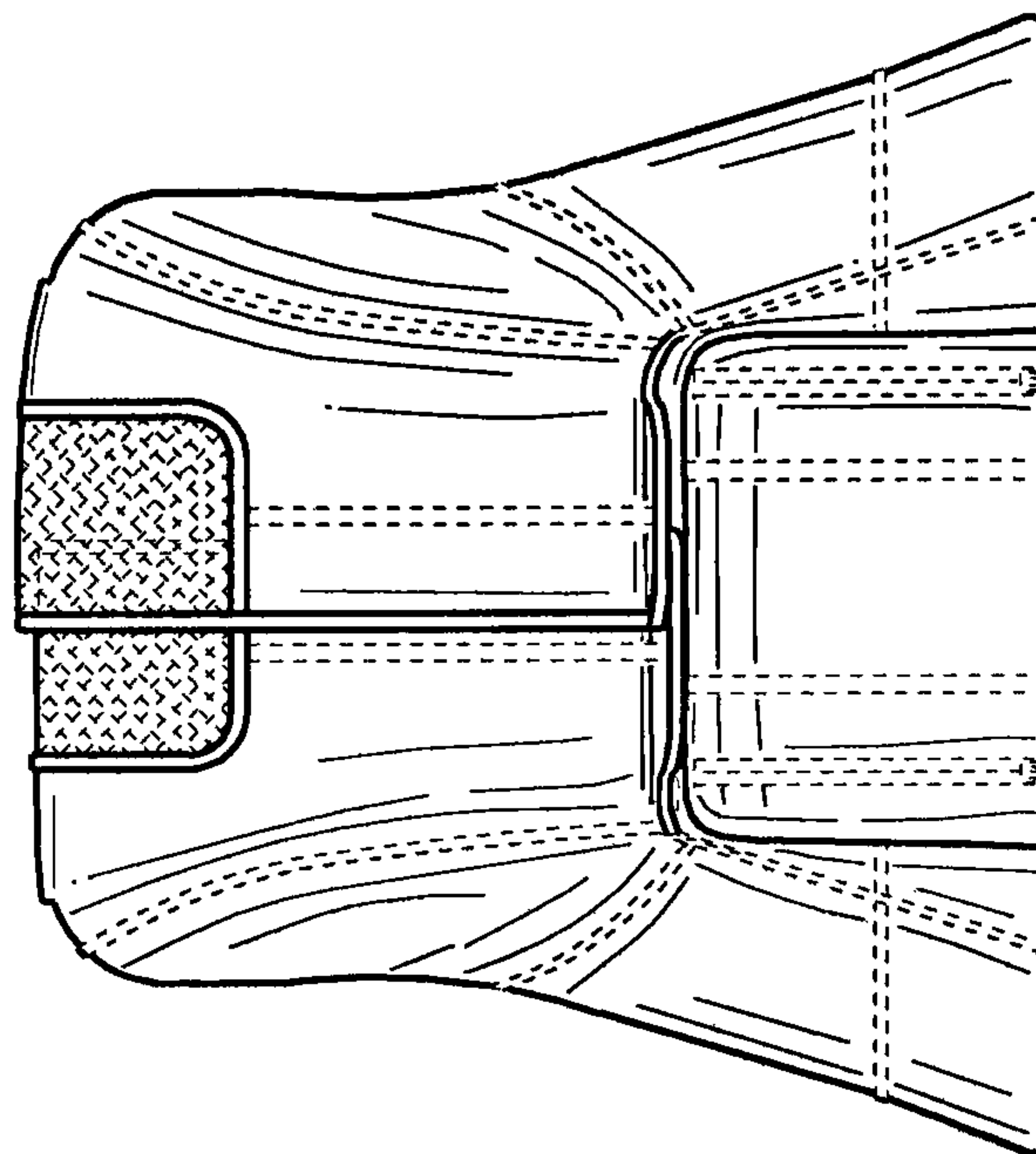


FIG. 5

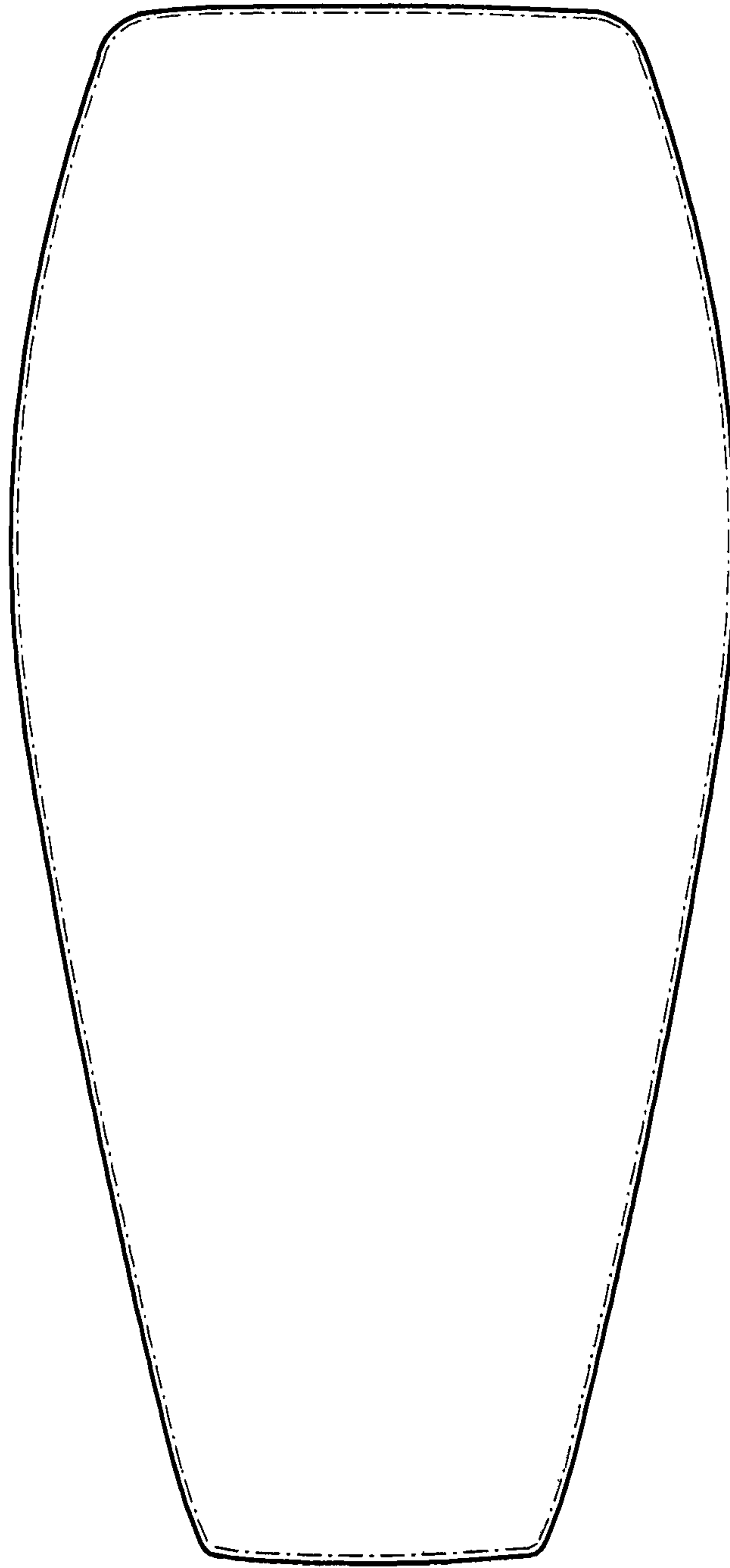


FIG. 7

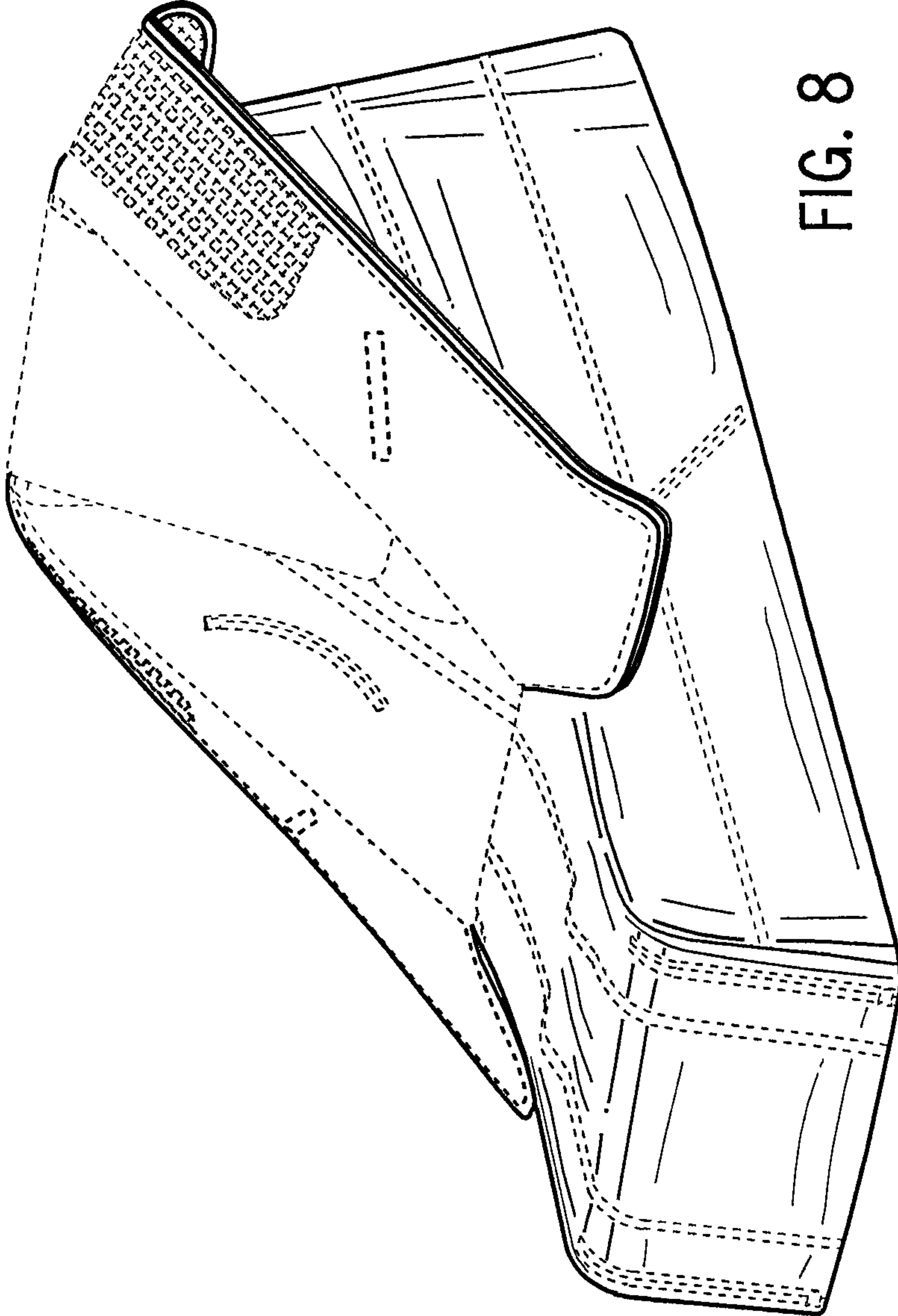


FIG. 8

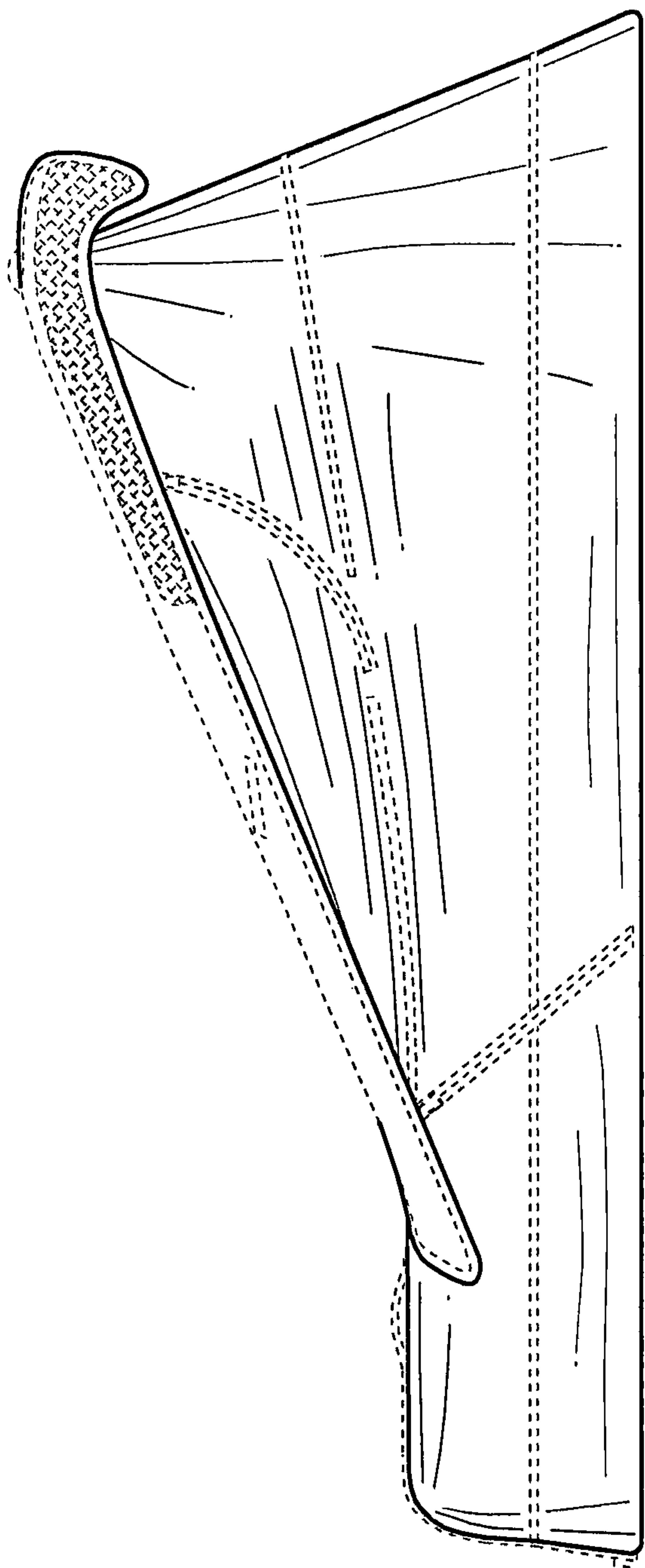


FIG. 9

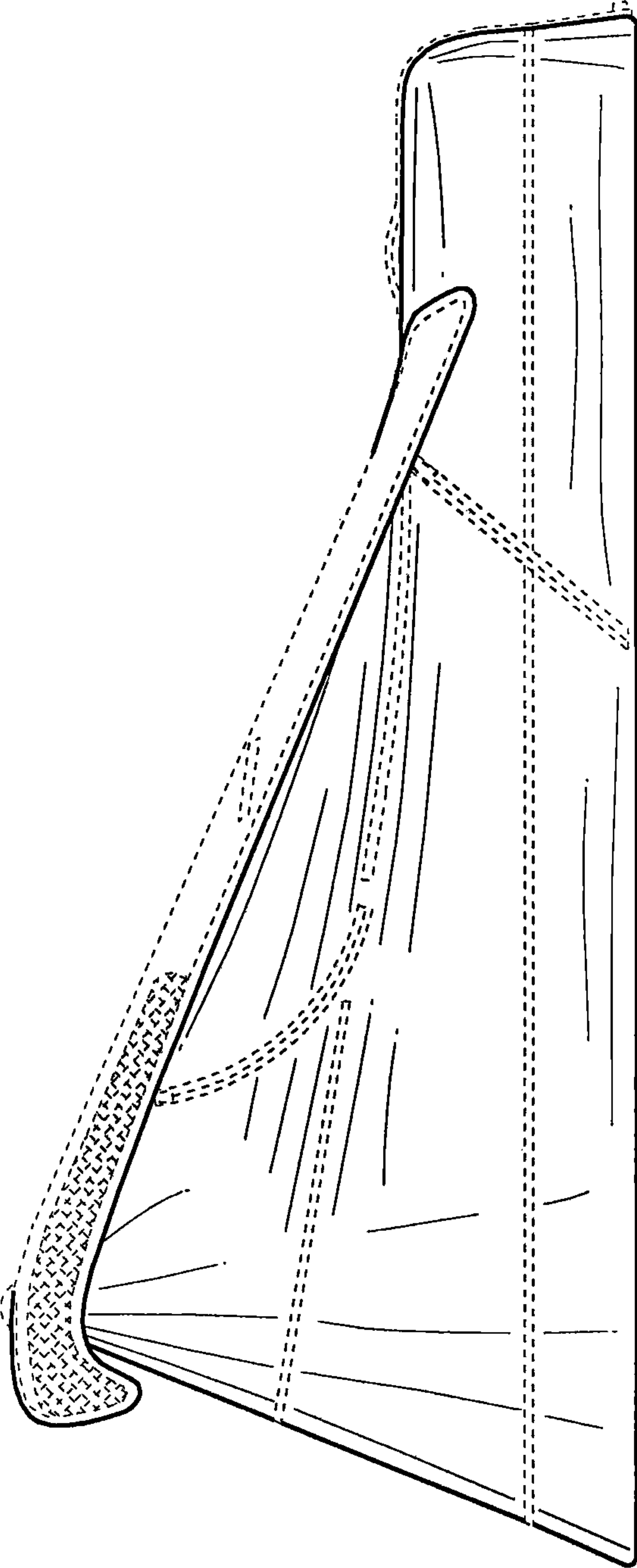


FIG. 10

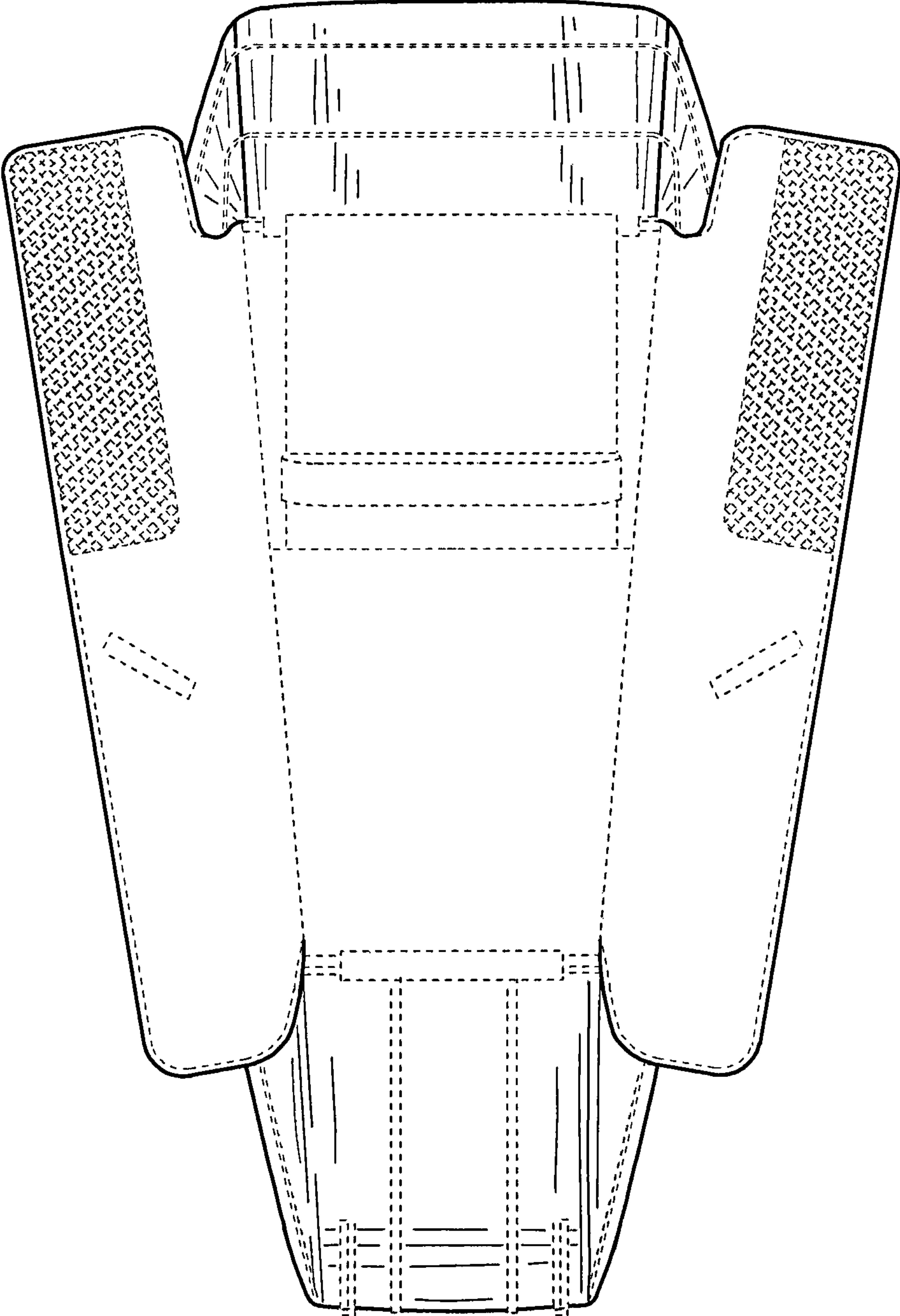


FIG. 11

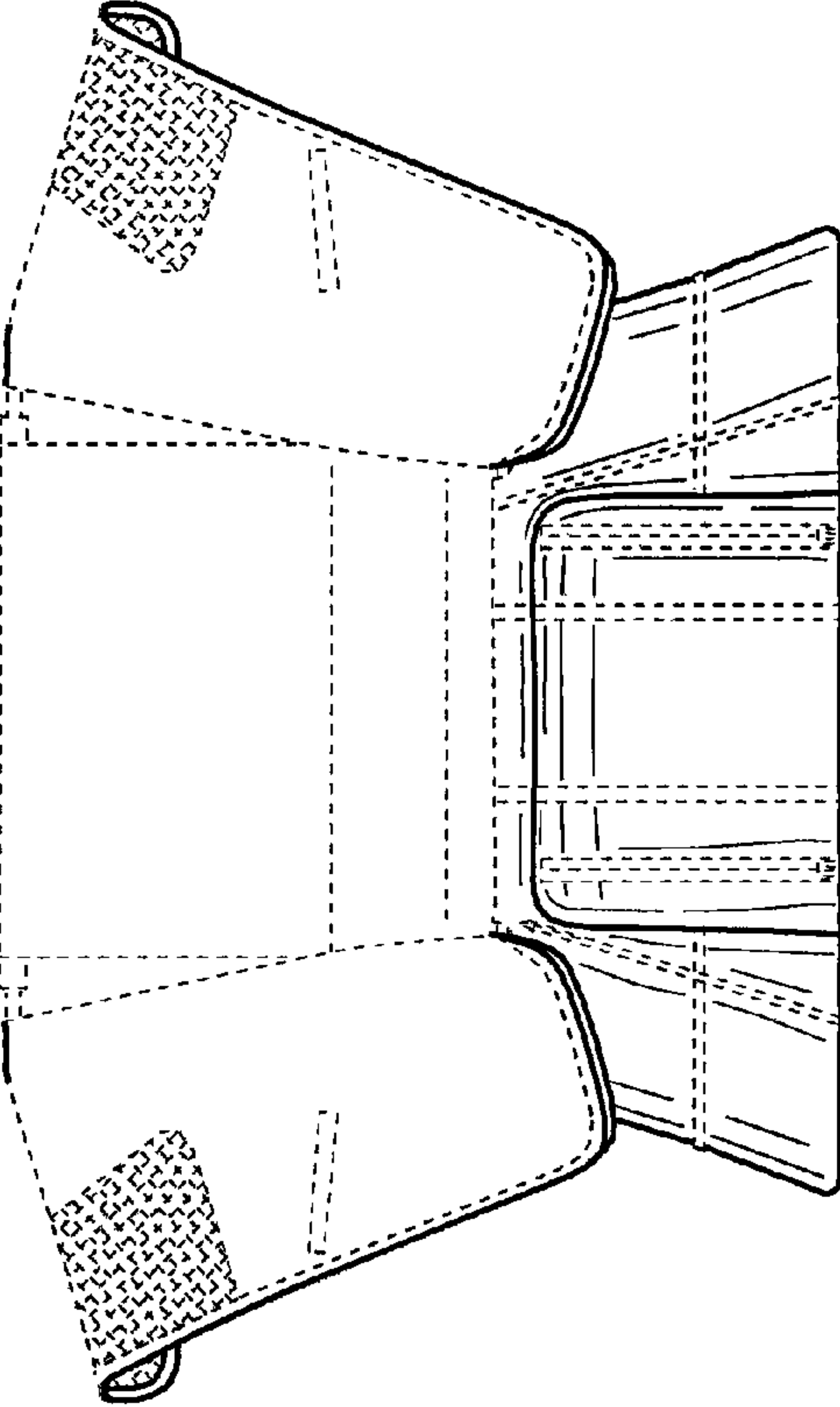


FIG. 12

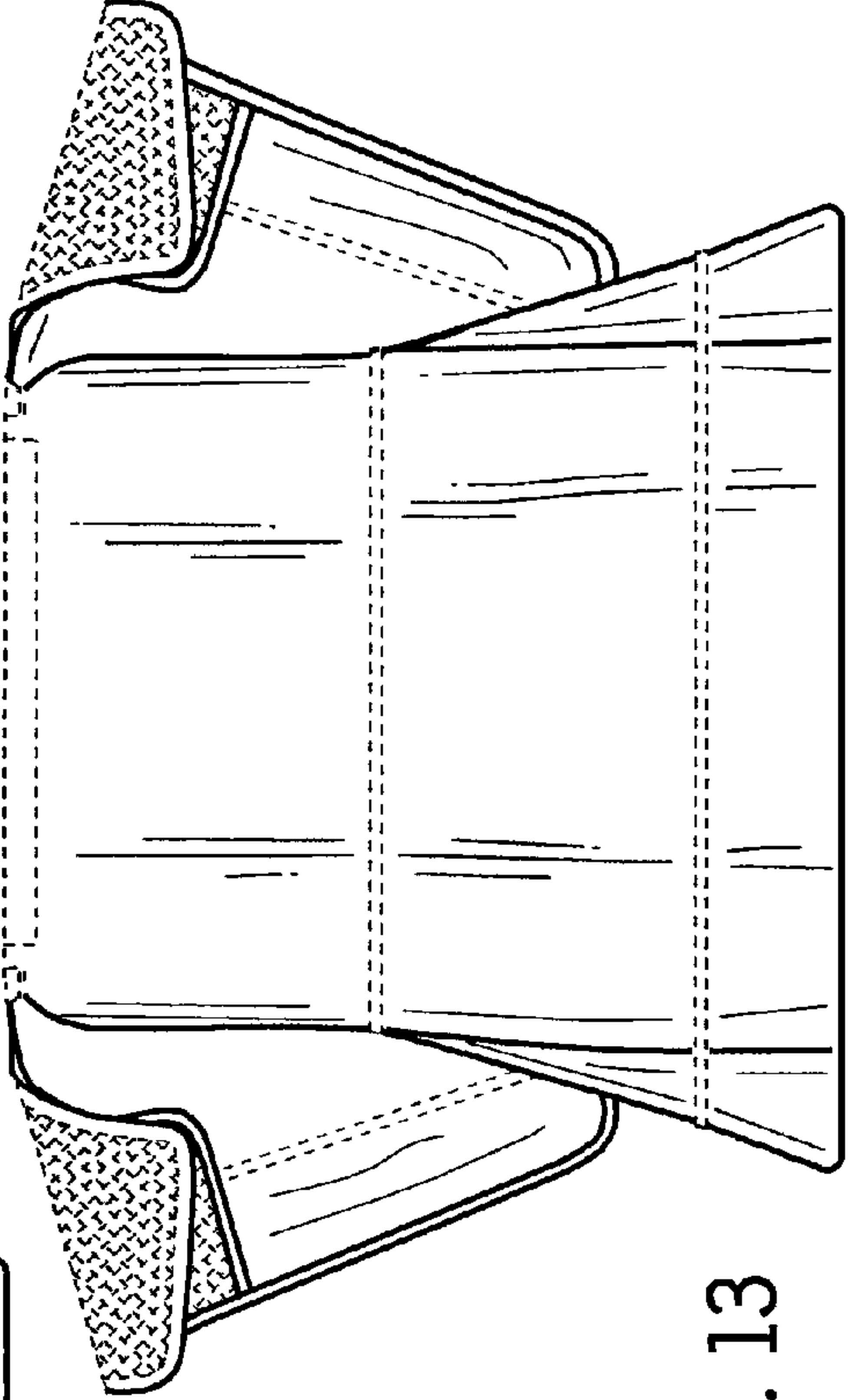


FIG. 13

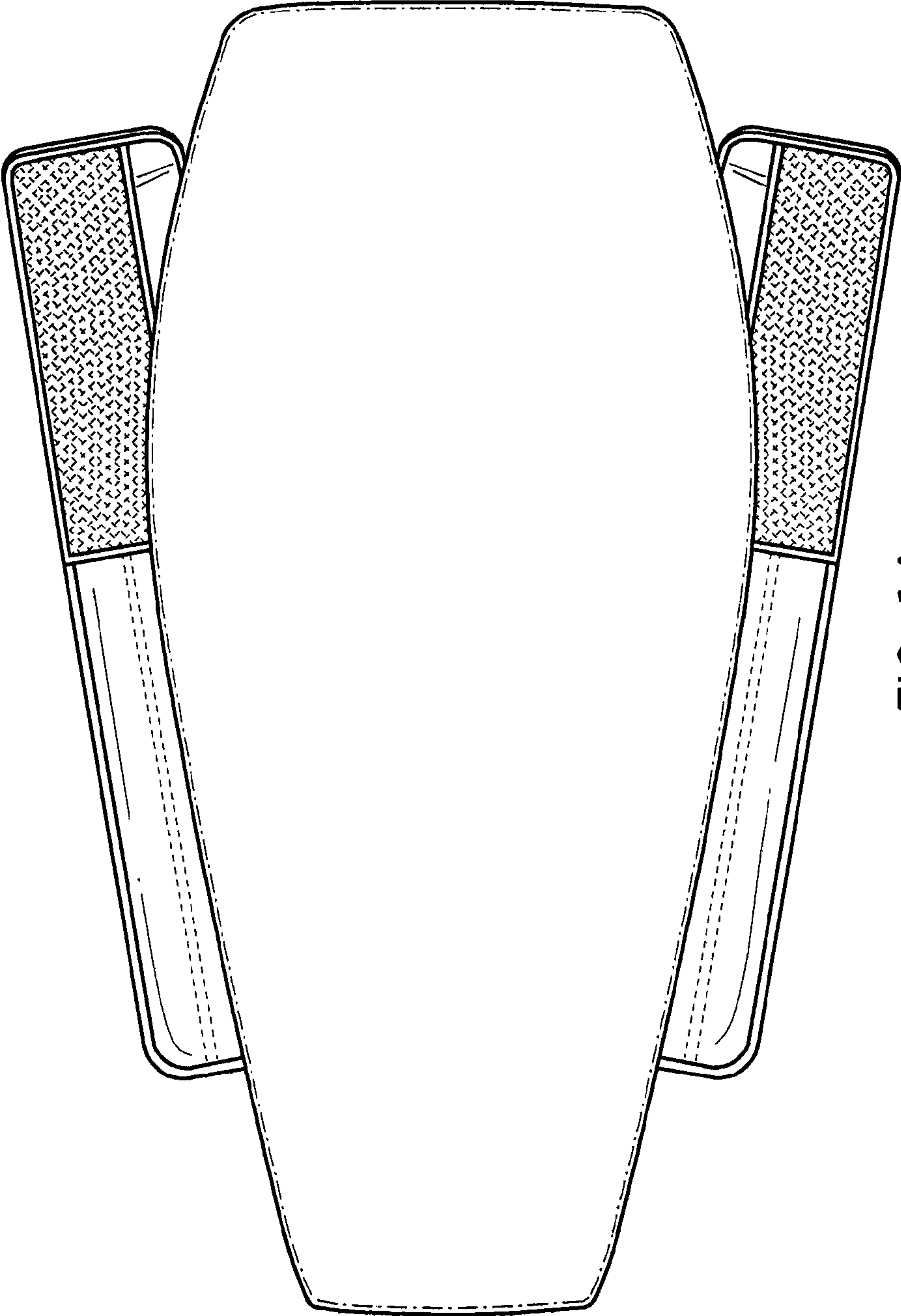


FIG. 14