



US00D712993S

(12) **United States Design Patent**
Smiles et al.

(10) **Patent No.:** **US D712,993 S**

(45) **Date of Patent:** **** Sep. 9, 2014**

(54) **FLOTATION DEVICE WITH TWO DOORS**

(71) Applicants: **Scott W. Smiles**, Coffs Harbour (AU);
Rick Matthews, Coffs Harbour (AU)

(72) Inventors: **Scott W. Smiles**, Coffs Harbour (AU);
Rick Matthews, Coffs Harbour (AU)

(**) Term: **14 Years**

(21) Appl. No.: **29/452,117**

(22) Filed: **Apr. 12, 2013**

(51) **LOC (10) Cl.** **21-06**

(52) **U.S. Cl.**
USPC **D21/803**

(58) **Field of Classification Search**
USPC D21/769–770, 801, 803, 809; 114/253,
114/345–346; 441/35, 66, 74, 40–42,
441/129–132; 472/128–129; D12/5, 6, 316;
D6/392, 595, 596, 601, 604, 605
See application file for complete search history.

(56) **References Cited**

U.S. PATENT DOCUMENTS

4,794,723	A *	1/1989	Arnold et al.	43/55
5,163,694	A *	11/1992	Reichok	280/47.26
5,580,132	A *	12/1996	Rediske	297/452.41
6,014,833	A *	1/2000	Benavidez	43/54.1
6,139,382	A *	10/2000	Eschbacher et al.	441/32
6,269,587	B1 *	8/2001	Wallace	43/54.1
D551,890	S *	10/2007	Gruber	D6/601
D592,268	S *	5/2009	Montagnino	D21/803
D632,353	S *	2/2011	Ashton, III	D21/803
D667,910	S *	9/2012	Behr	D21/803
D668,308	S *	10/2012	Gilmore et al.	D21/803

* cited by examiner

Primary Examiner — Zenia Bennett

(74) *Attorney, Agent, or Firm* — Frost Brown Todd LLC

(57) **CLAIM**

The ornamental design for a flotation device with two doors, as shown and described.

DESCRIPTION

FIG. 1 is a top, front perspective view of a flotation device with two doors, showing our new design in the closed configuration;

FIG. 2 is a bottom, front perspective view thereof in the closed configuration;

FIG. 3 is a top, front perspective view thereof in the open configuration;

FIG. 4 is a top, rear perspective view thereof in the open configuration;

FIG. 5 is a front elevational view thereof in the closed configuration;

FIG. 6 is a rear elevational view thereof in the closed configuration;

FIG. 7 is a right elevational view thereof in the closed configuration;

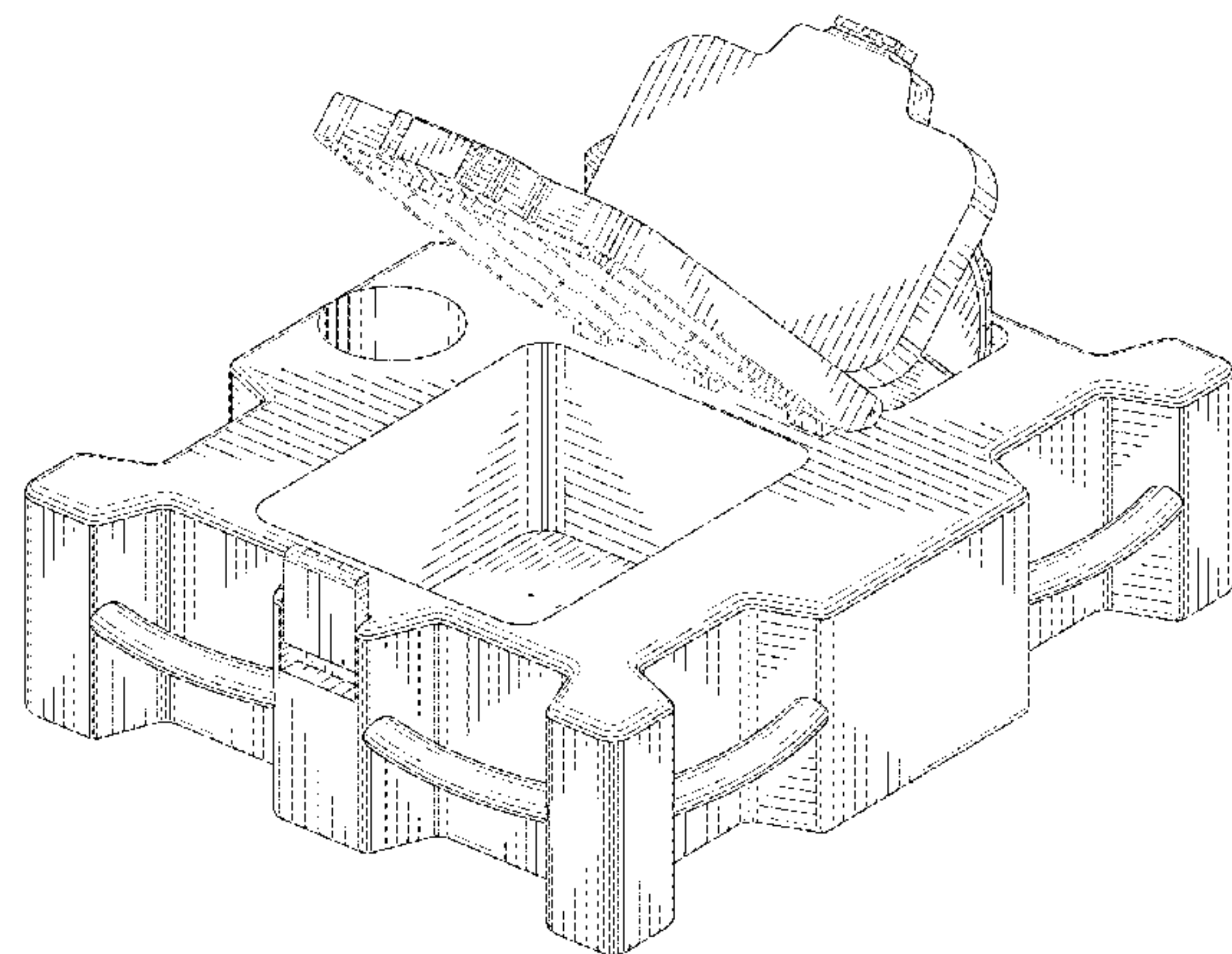
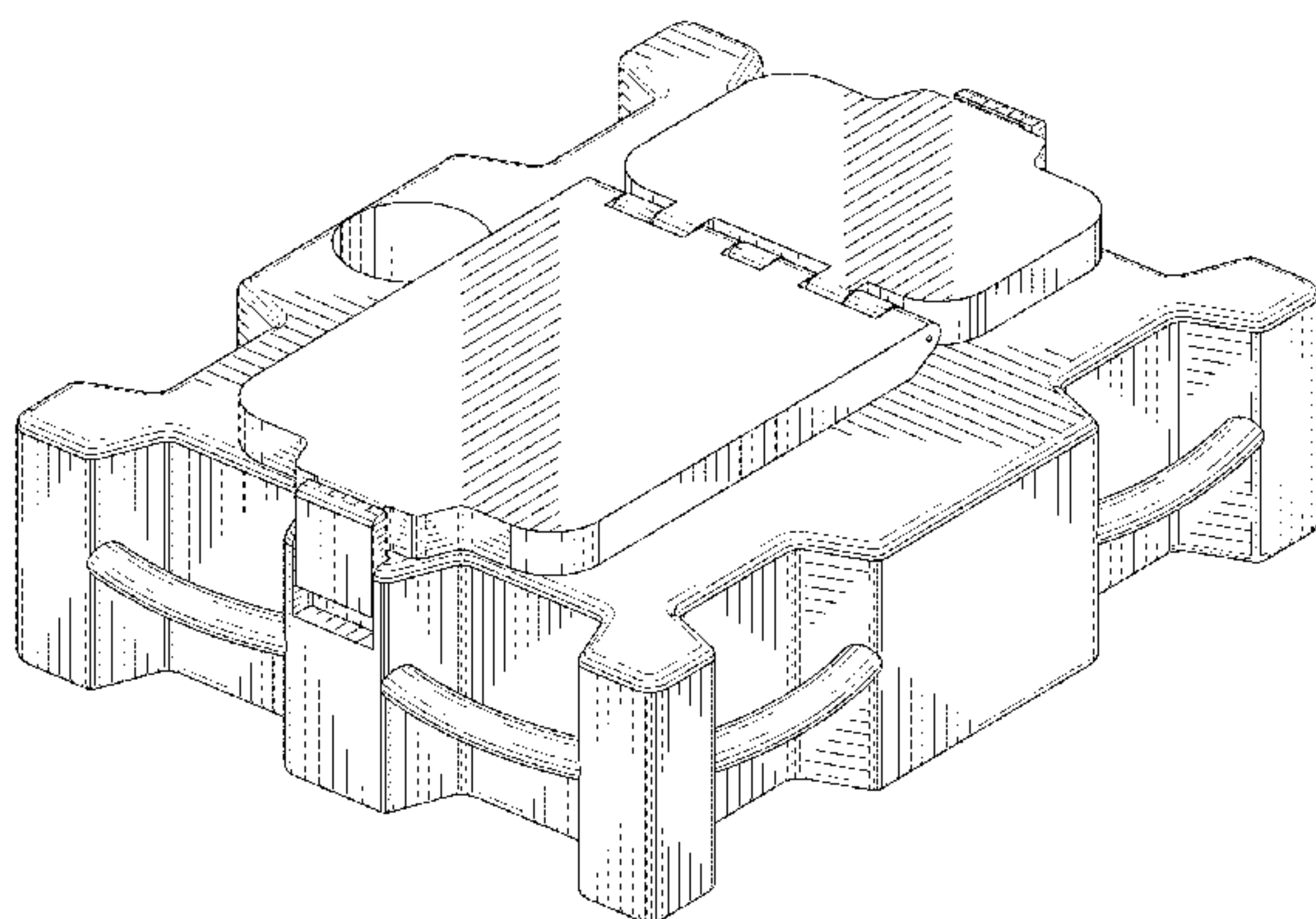
FIG. 8 is a left elevational view thereof in the closed configuration;

FIG. 9 is a top plan view thereof in the closed configuration; and,

FIG. 10 is a bottom plan view thereof.

The broken lines are for environmental purposes only and form no part of the claimed design.

1 Claim, 10 Drawing Sheets



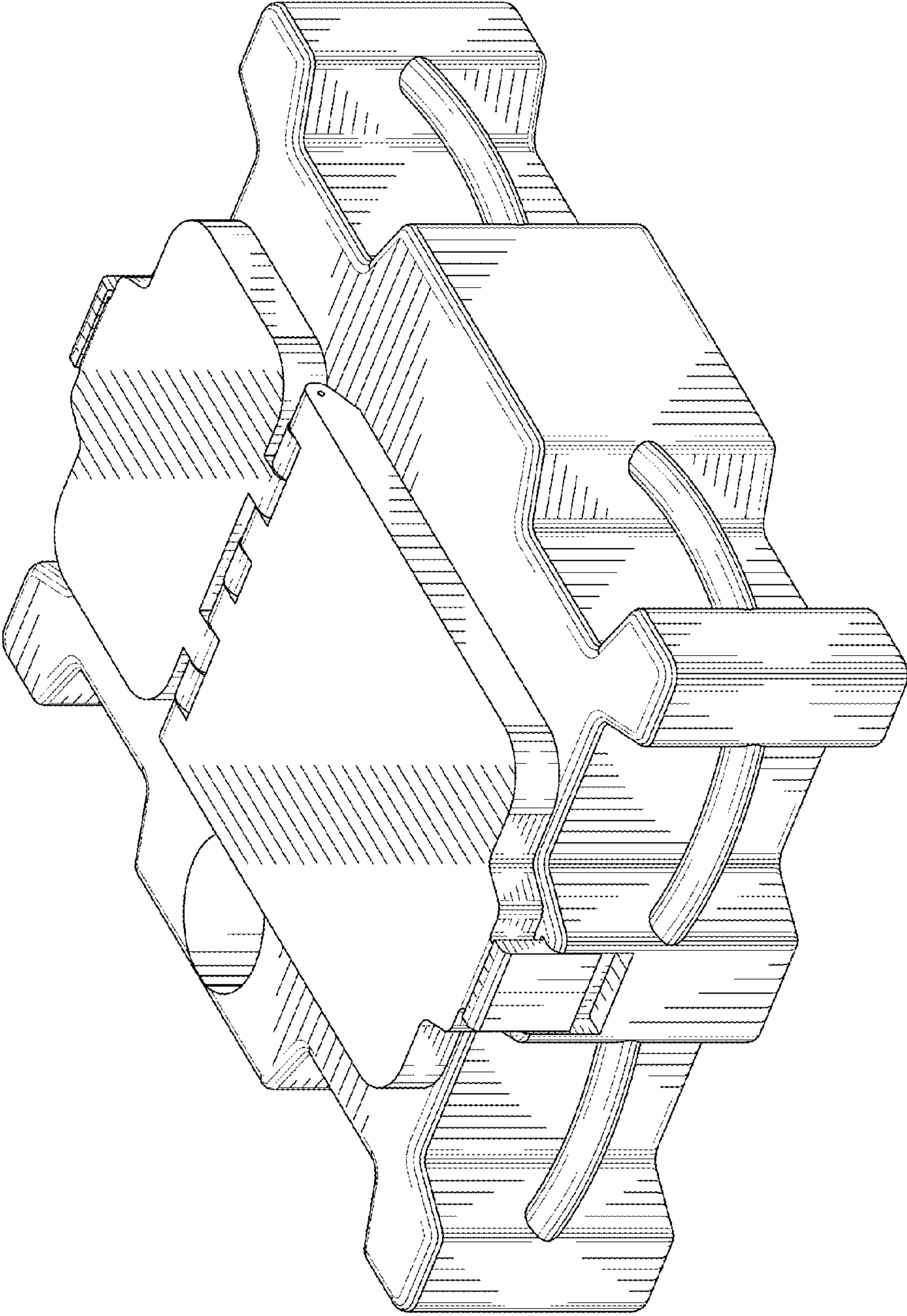


Fig. 1

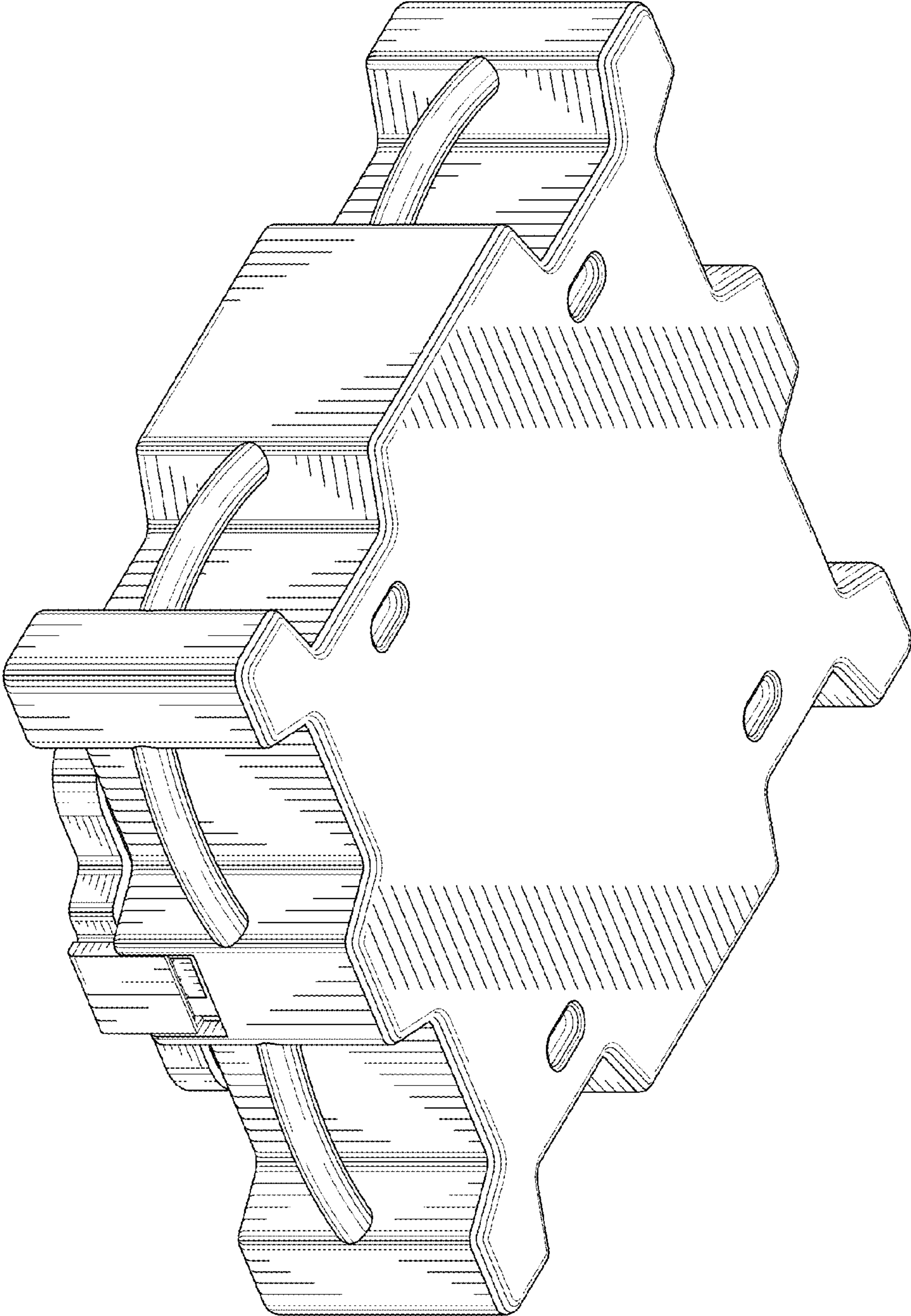


Fig.2

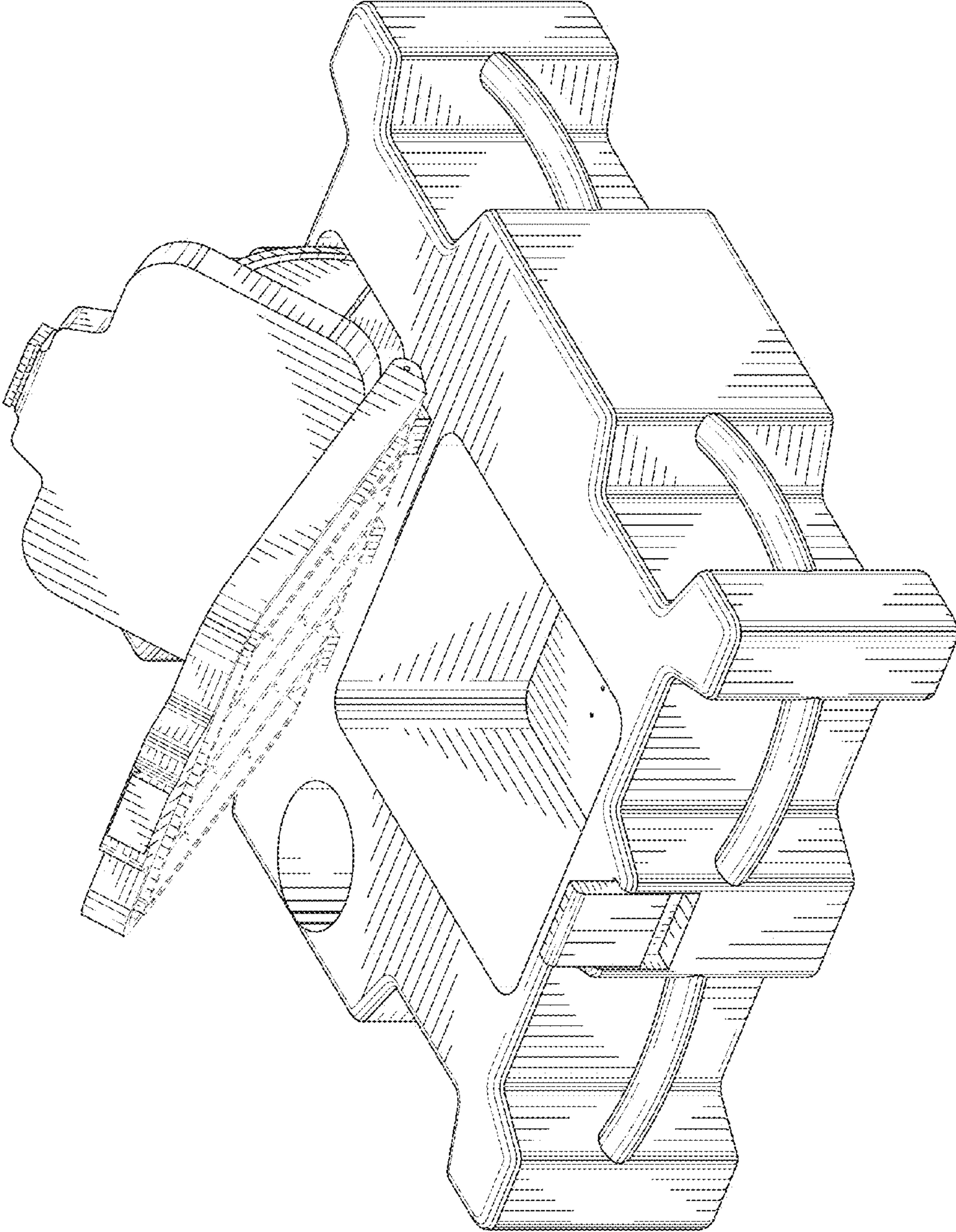


Fig. 3

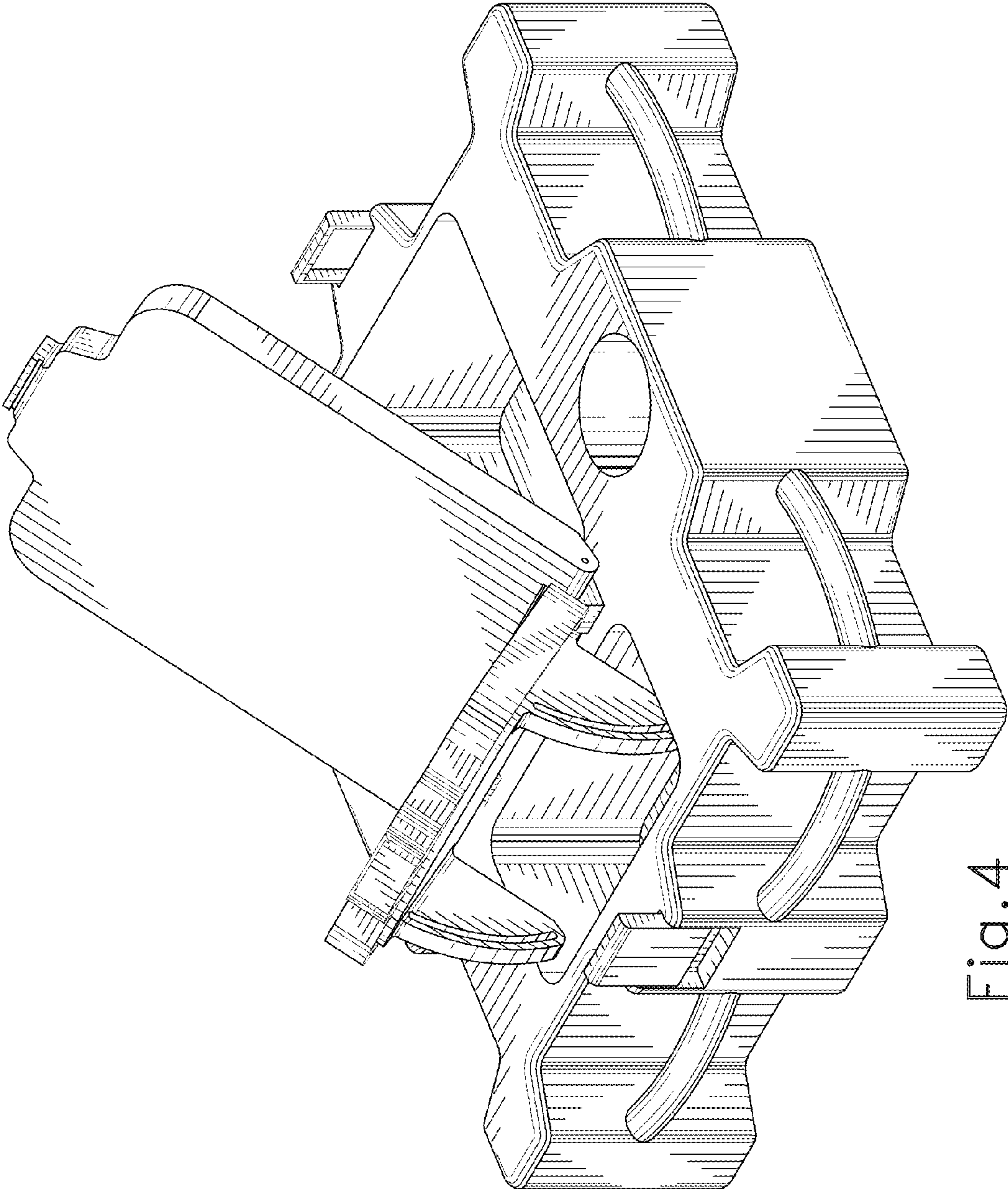


Fig. 4

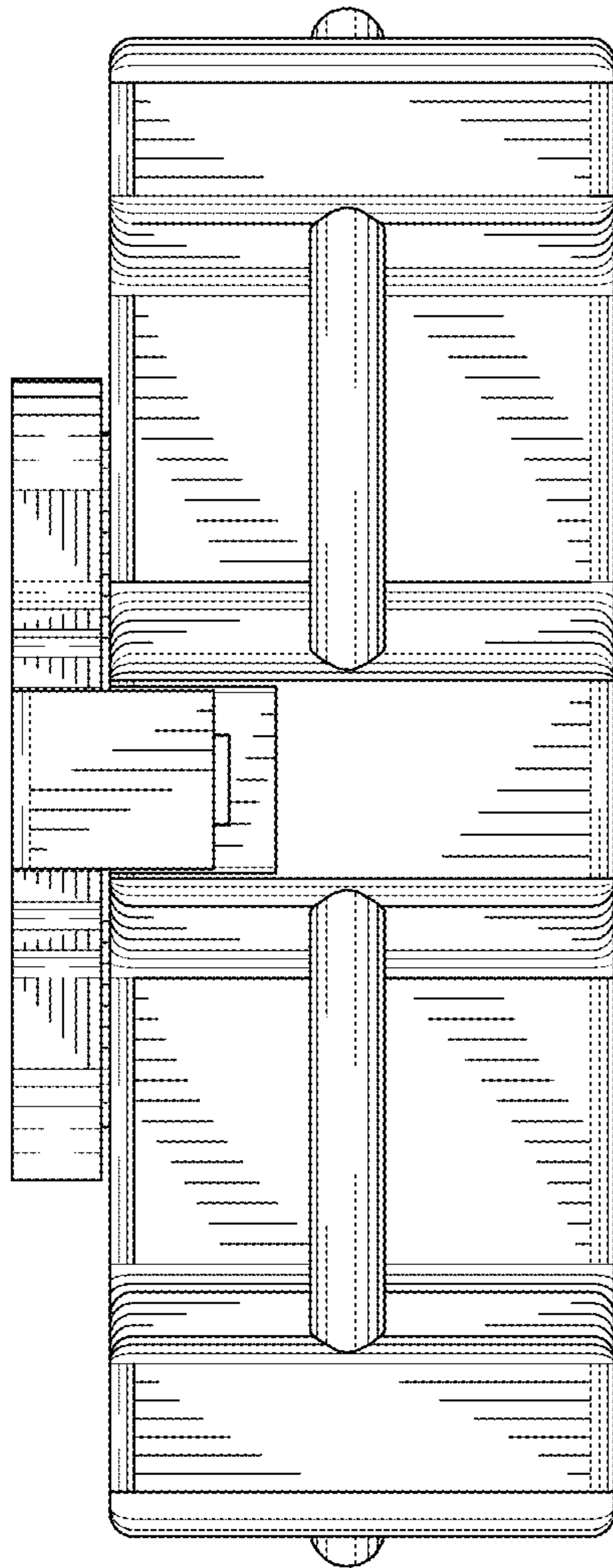


Fig. 5

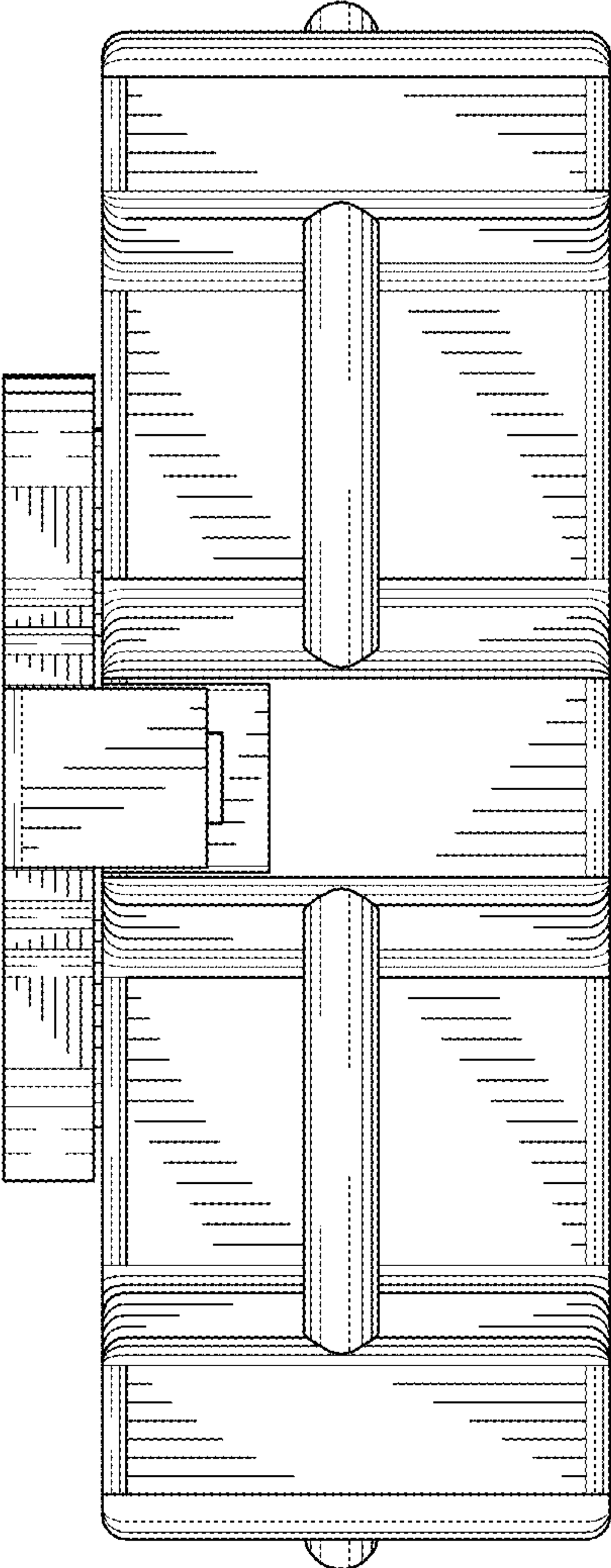


Fig. 6

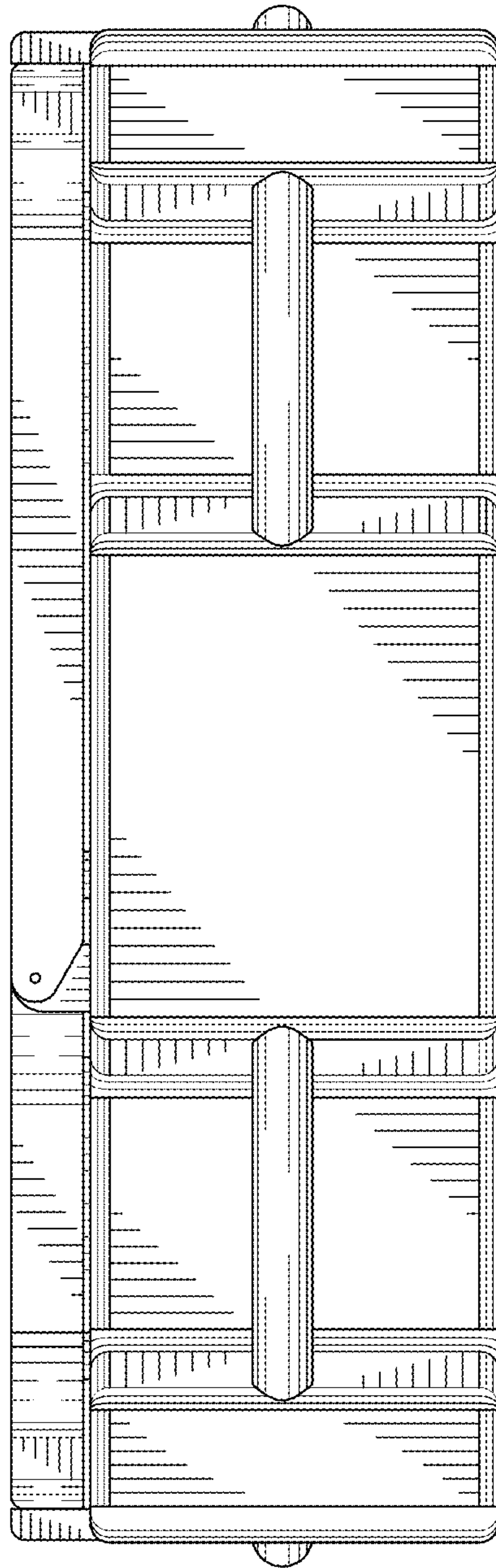


Fig. 7

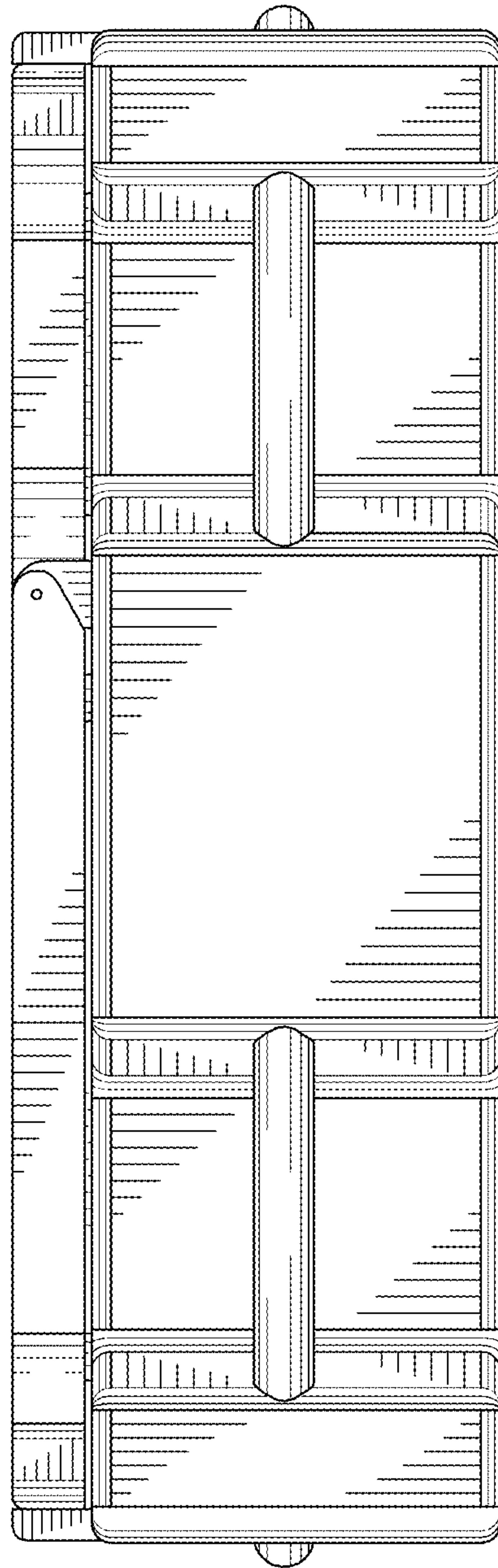


Fig. 8

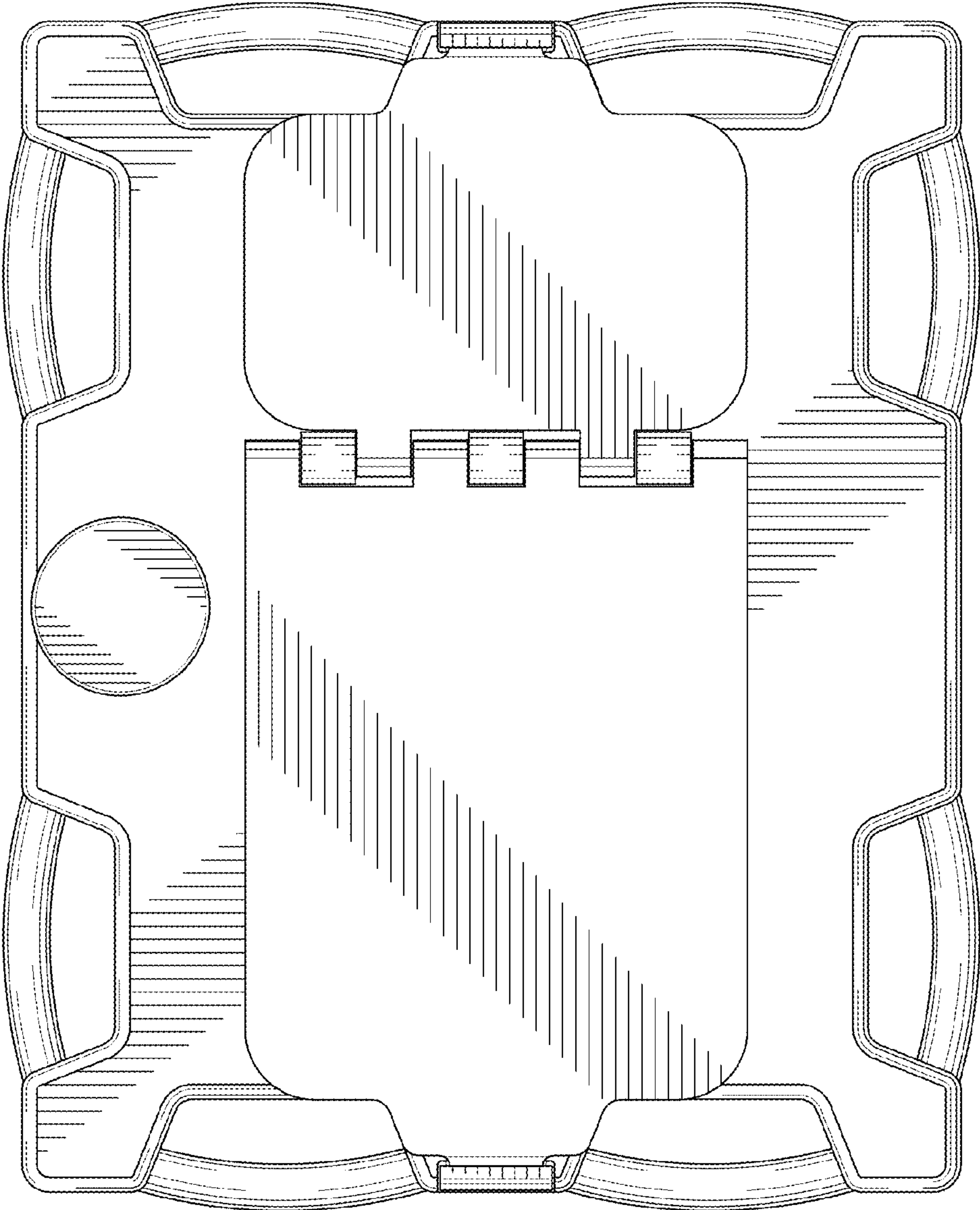


Fig.9

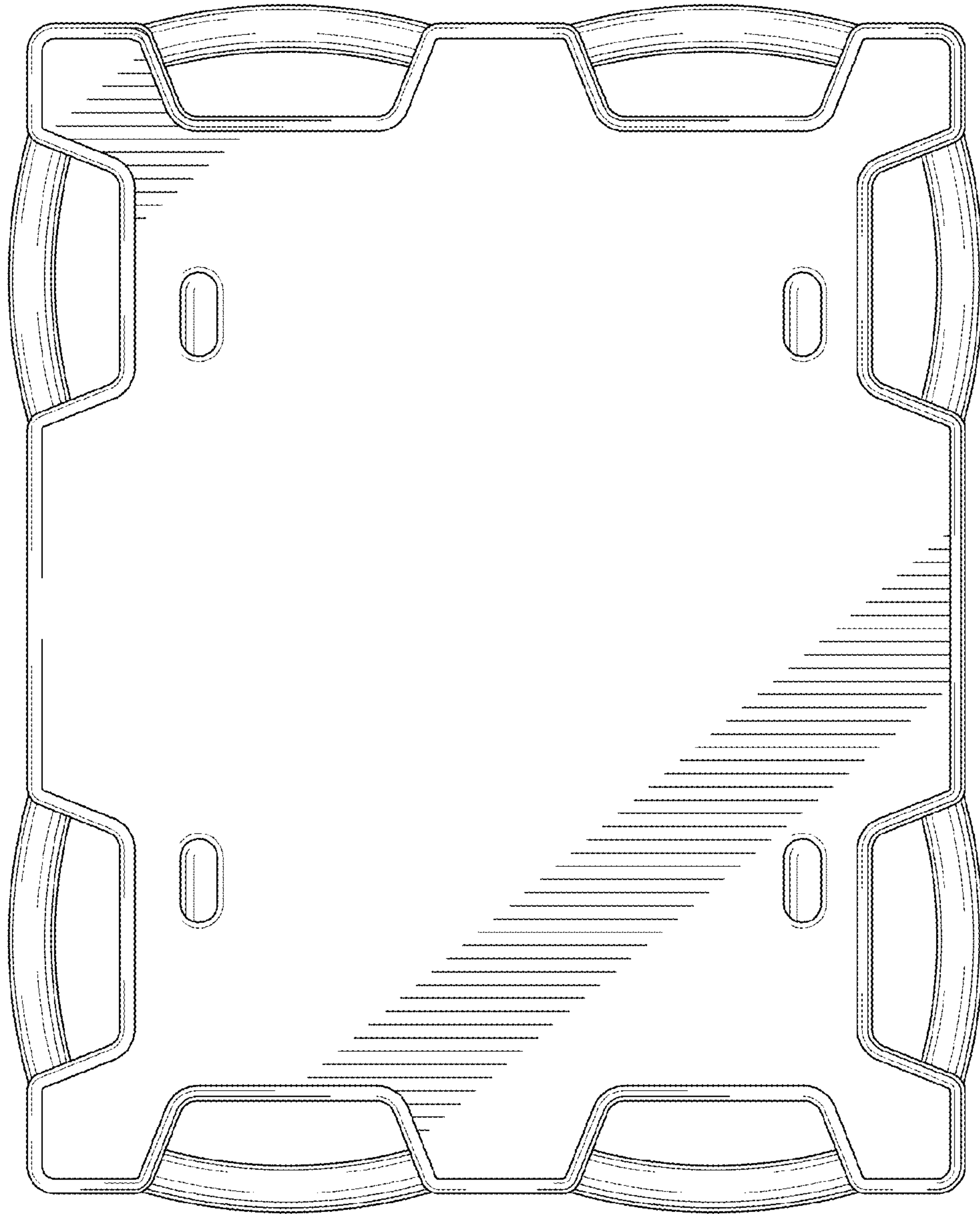


Fig. 10