



US00D712992S

(12) **United States Design Patent**
Smiles et al.

(10) **Patent No.:** **US D712,992 S**
(45) **Date of Patent:** **** Sep. 9, 2014**

(54) **FLOTATION DEVICE WITH SINGLE DOOR**

(71) Applicants: **Scott W. Smiles**, City of Coffs Harbour (AU); **Rick Matthews**, City of Coffs Harbour (AT)

(72) Inventors: **Scott W. Smiles**, City of Coffs Harbour (AU); **Rick Matthews**, City of Coffs Harbour (AT)

(**) Term: **14 Years**

(21) Appl. No.: **29/452,112**

(22) Filed: **Apr. 12, 2013**

(30) **Foreign Application Priority Data**

Oct. 12, 2012 (AU) 2012/15085

(51) **LOC (10) CL.** **21-06**

(52) **U.S. CL.**
USPC **D21/803**

(58) **Field of Classification Search**
USPC D21/769–770, 801, 803, 809; 114/253, 114/345–346; 441/35, 66, 74, 40–42, 441/129–132; 472/128–129; D12/5, 6, 316; D6/392, 595, 596, 601, 604, 605
See application file for complete search history.

(56) **References Cited**

U.S. PATENT DOCUMENTS

4,794,723 A * 1/1989 Arnold et al. 43/55
5,163,694 A * 11/1992 Reichel 280/47.26
5,580,132 A * 12/1996 Rediske 297/452.41
6,014,833 A * 1/2000 Benavidez 43/54.1
6,139,382 A * 10/2000 Eschbacher et al. 441/32

6,269,587 B1 * 8/2001 Wallace 43/54.1
D551,890 S * 10/2007 Gruber D6/601
D592,268 S * 5/2009 Montagnino D21/803
D632,353 S * 2/2011 Ashton, III D21/803
D667,910 S * 9/2012 Behr D21/803
D668,308 S * 10/2012 Gilmore et al. D21/803

* cited by examiner

Primary Examiner — Zenia Bennett

(74) *Attorney, Agent, or Firm* — Frost Brown Todd LLC

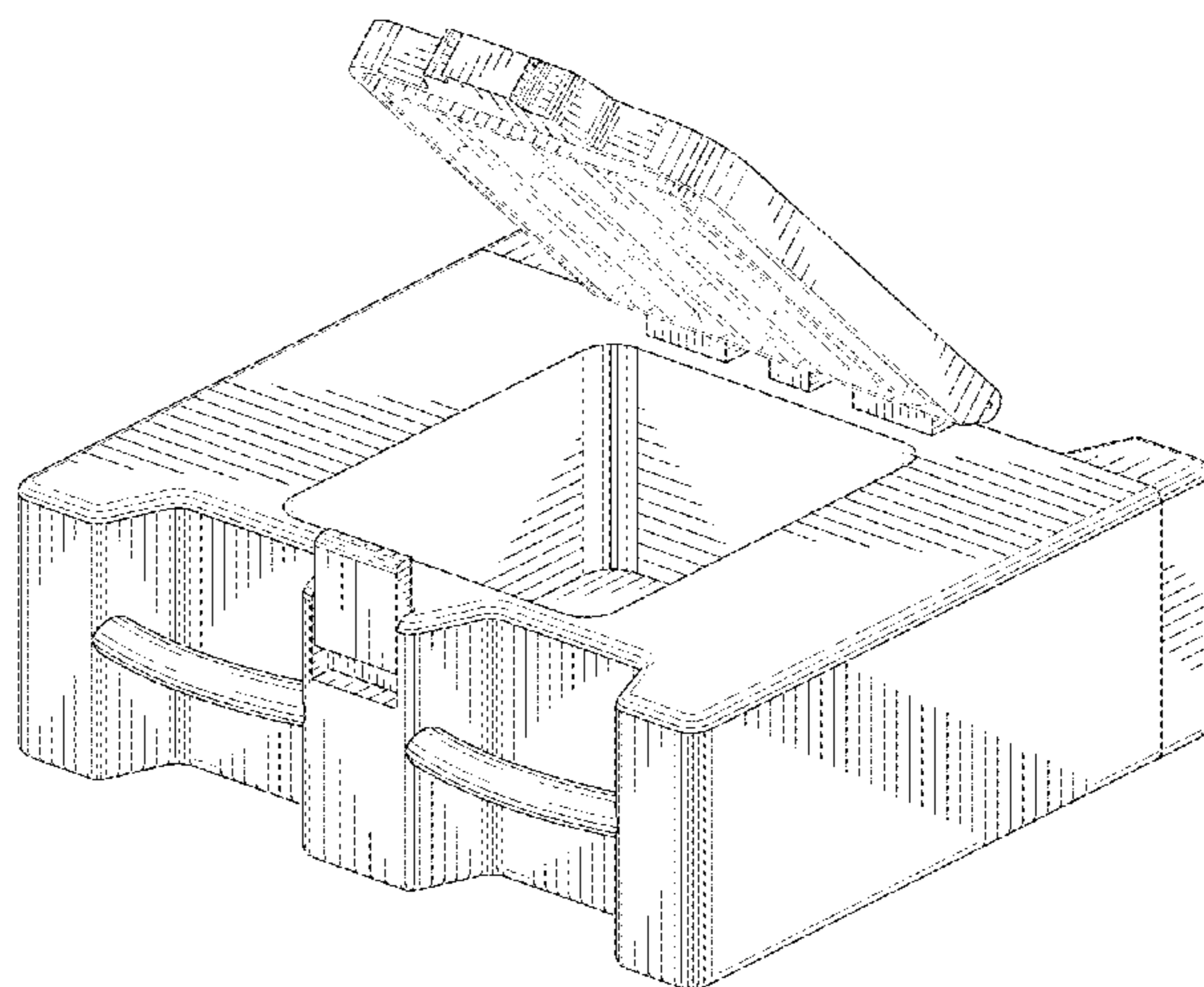
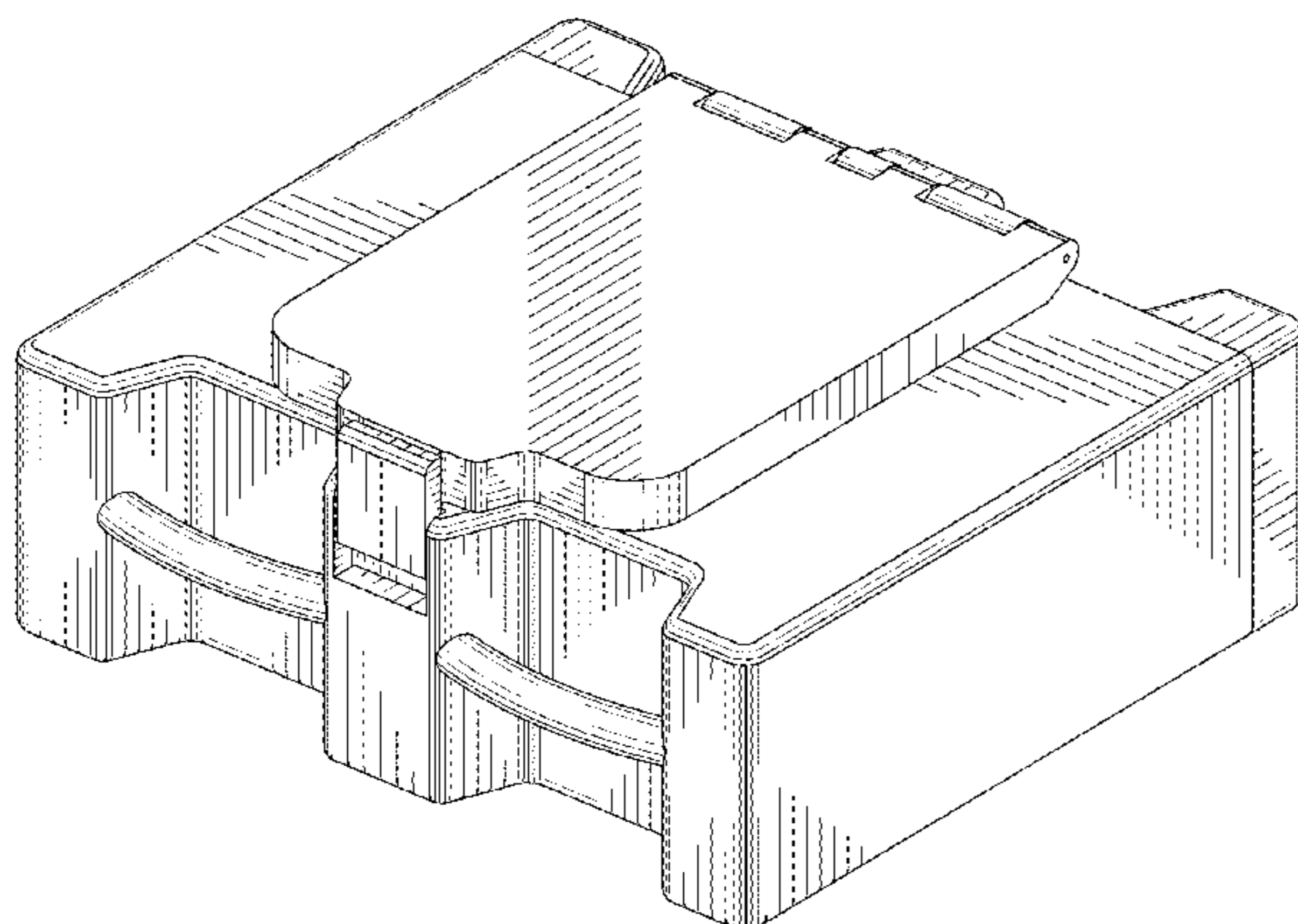
(57) **CLAIM**

The ornamental design for a flotation device with single door, as shown and described.

DESCRIPTION

FIG. 1 is a top, front perspective view of a flotation device with single door, showing our new design in the closed configuration;
FIG. 2 is a bottom, front perspective view thereof in the closed configuration;
FIG. 3 is a top, front perspective view thereof in the open configuration;
FIG. 4 is a front elevational view thereof in the closed configuration;
FIG. 5 is a rear elevational view thereof in the closed configuration;
FIG. 6 is a right elevational view thereof in the closed configuration;
FIG. 7 is a left elevational view thereof in the closed configuration;
FIG. 8 is a top plan view thereof in the closed configuration; and,
FIG. 9 is a bottom plan view thereof.
The broken lines are for environmental purposes only and form no part of the claimed design.

1 Claim, 9 Drawing Sheets



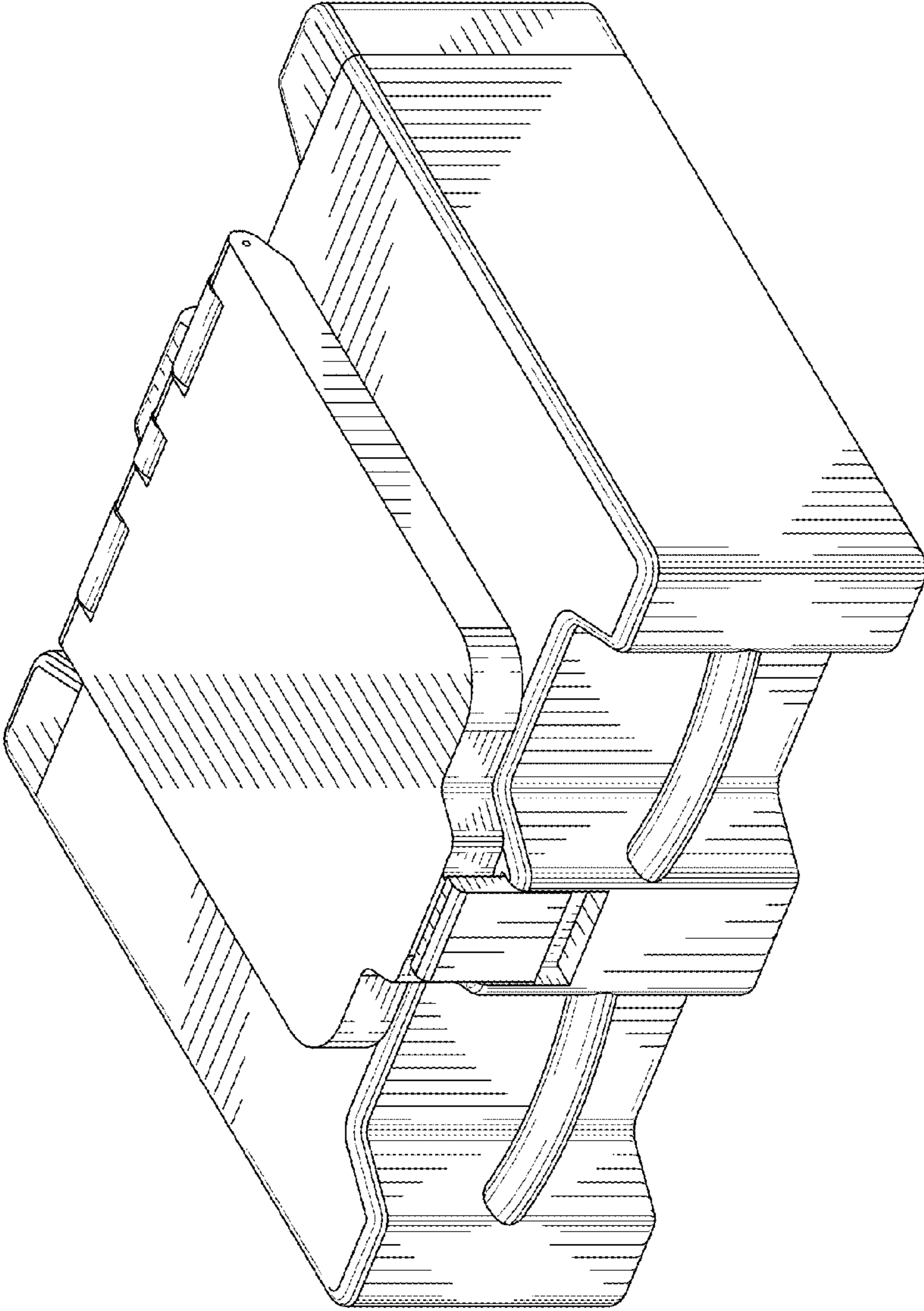


Fig. 1

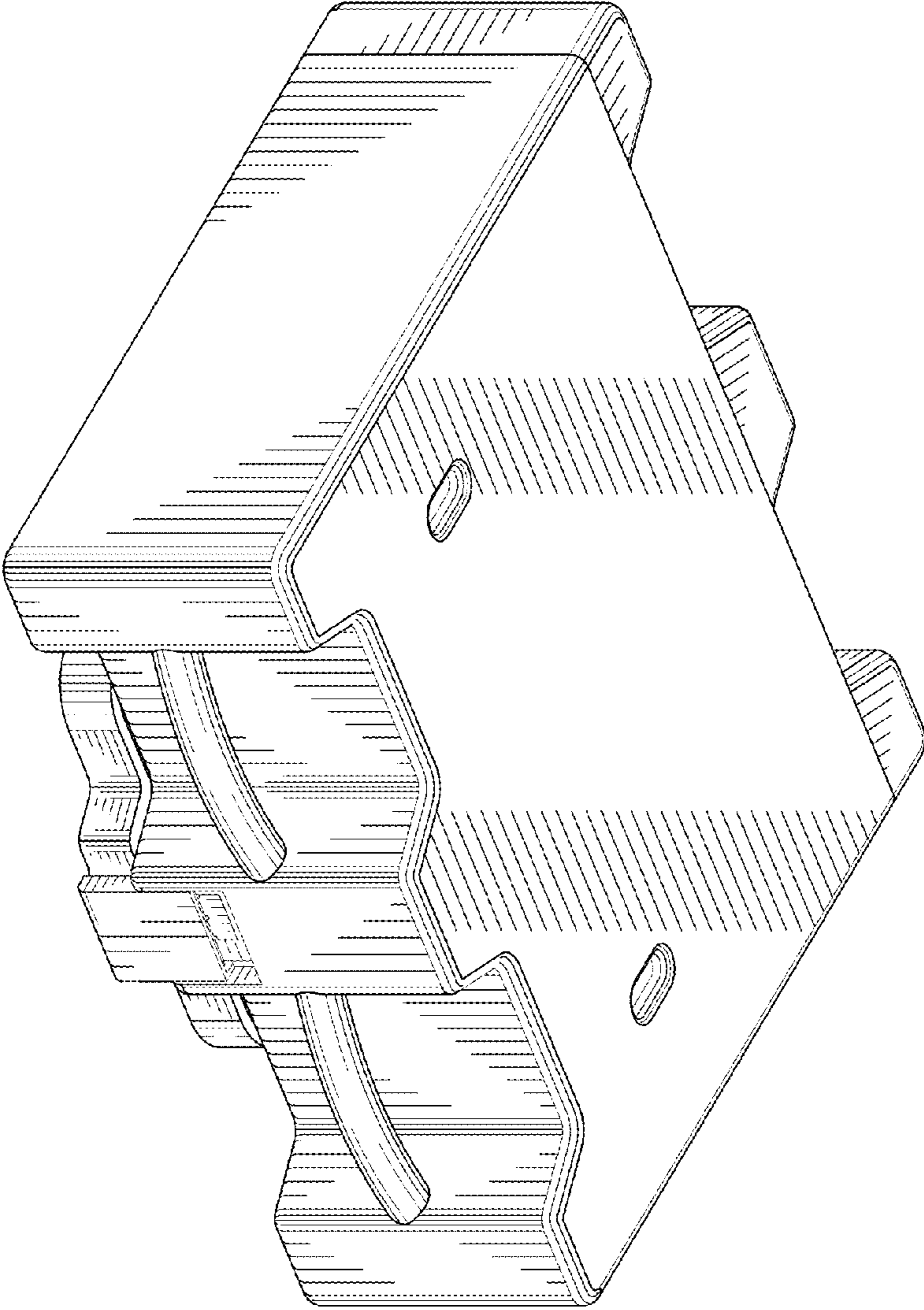


Fig. 2

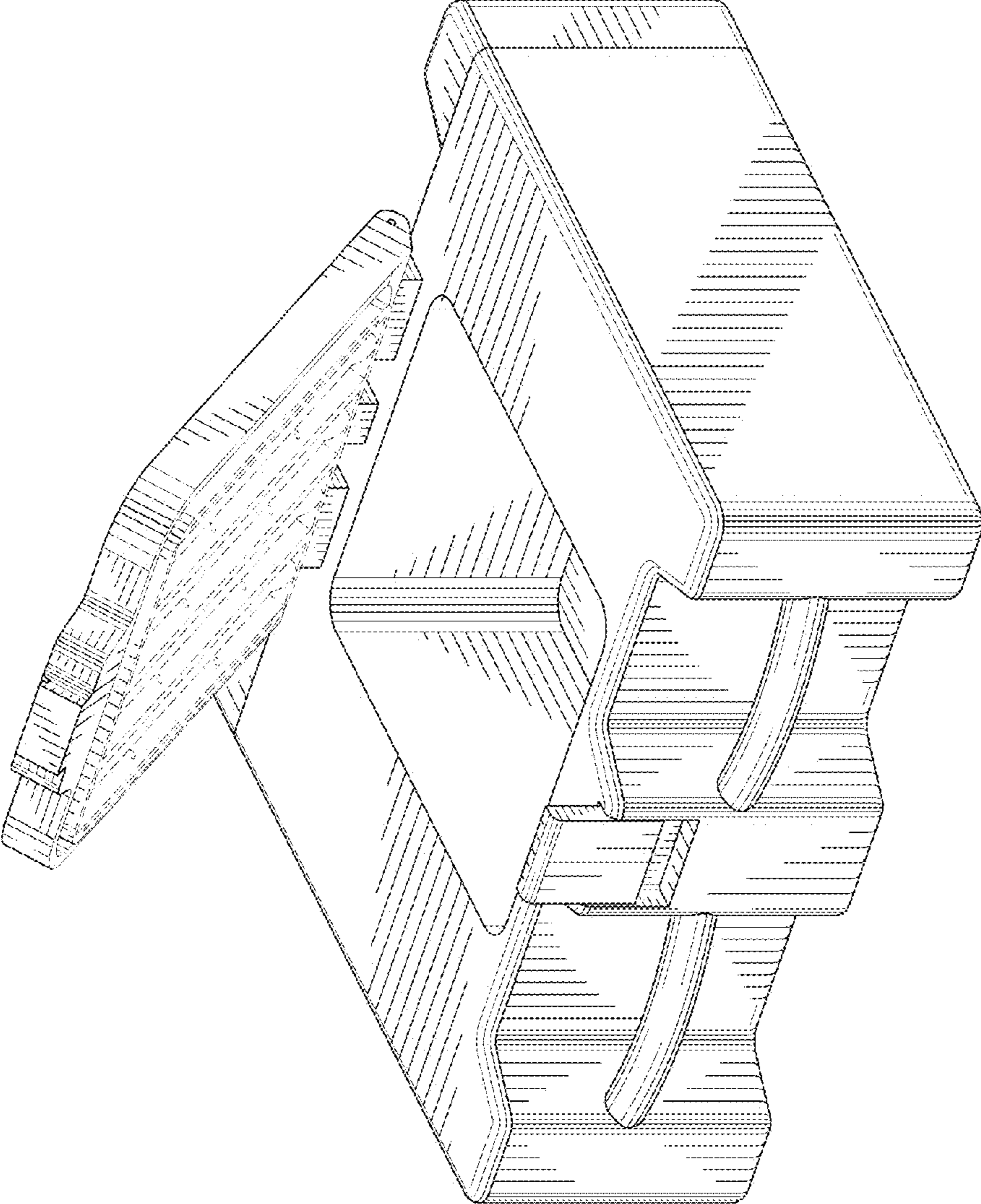


Fig. 3

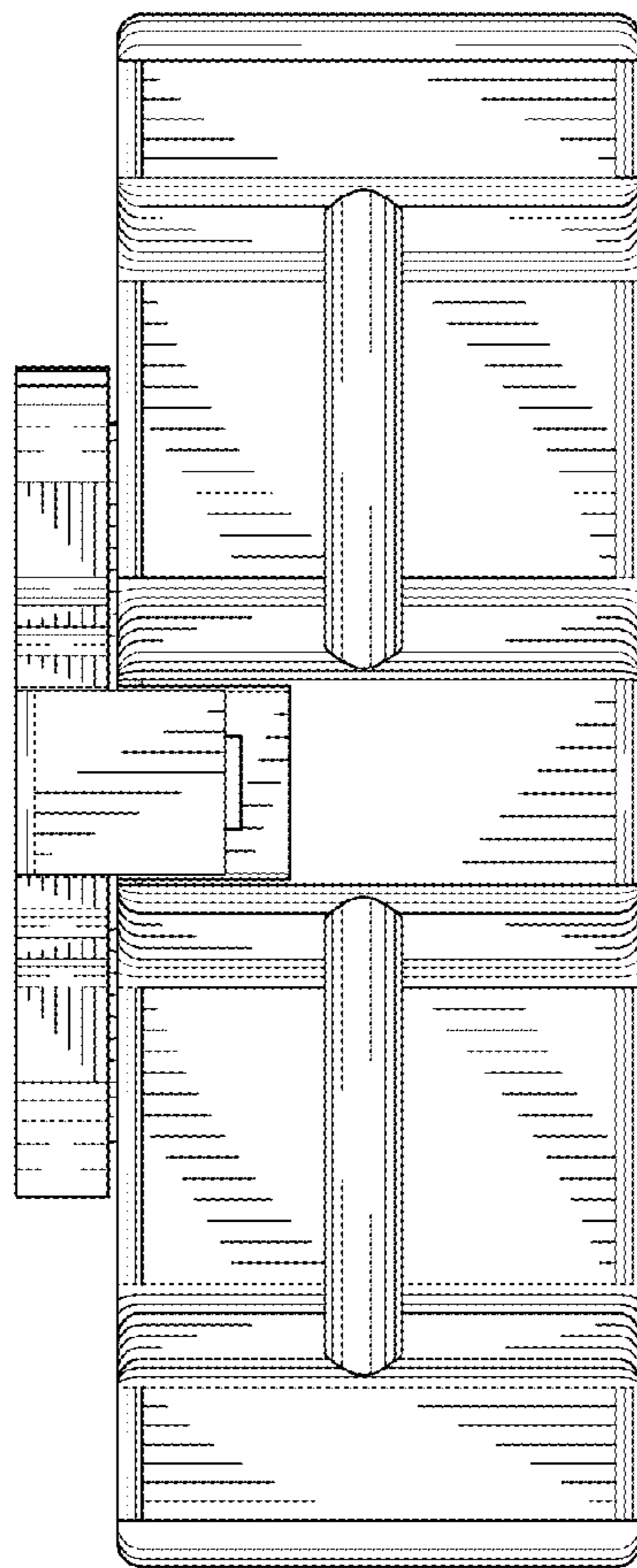


Fig. 4

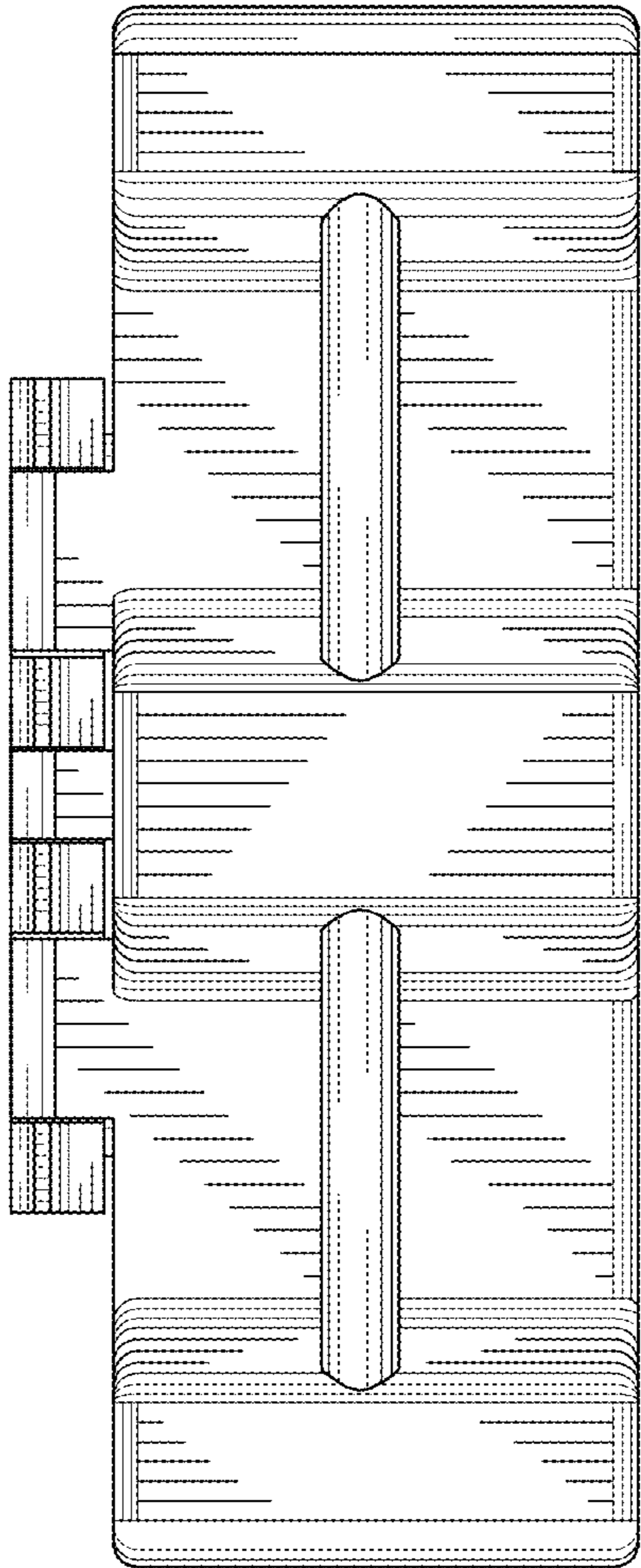


Fig. 5

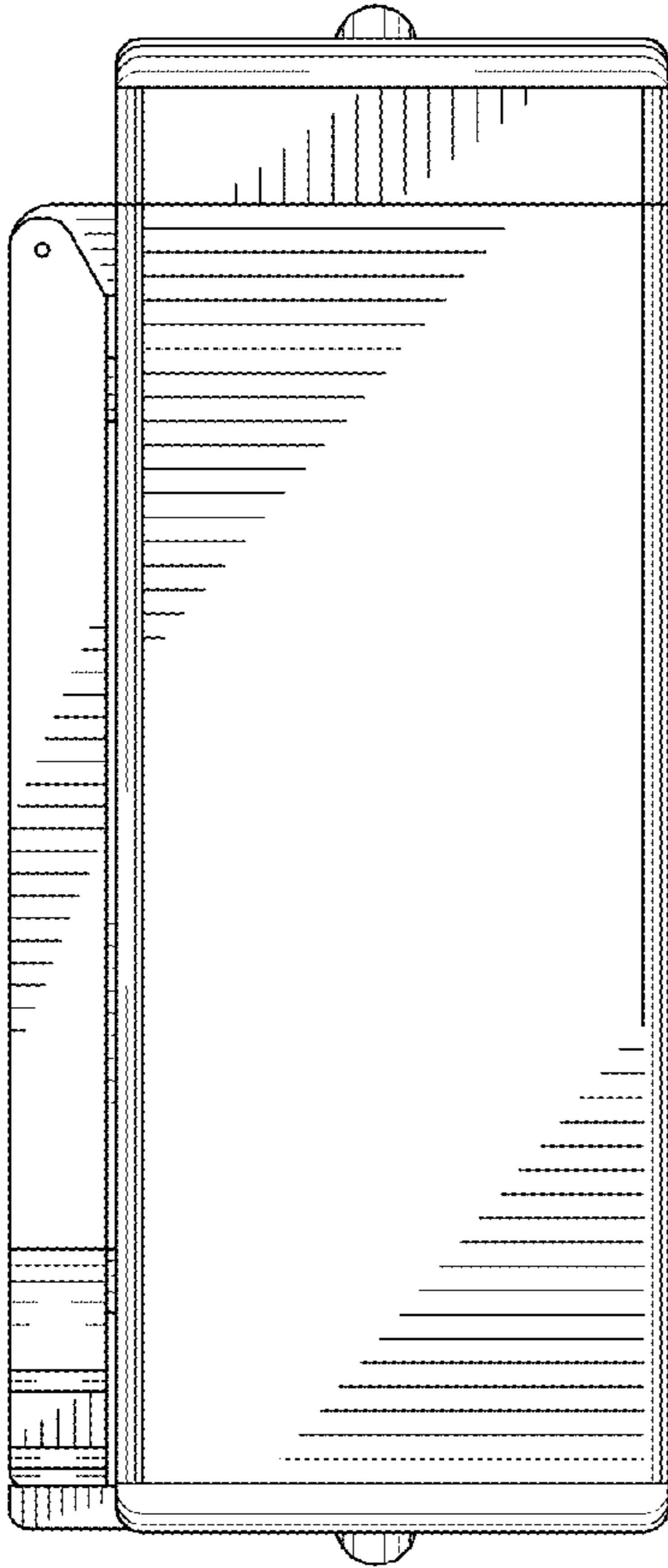


Fig. 6

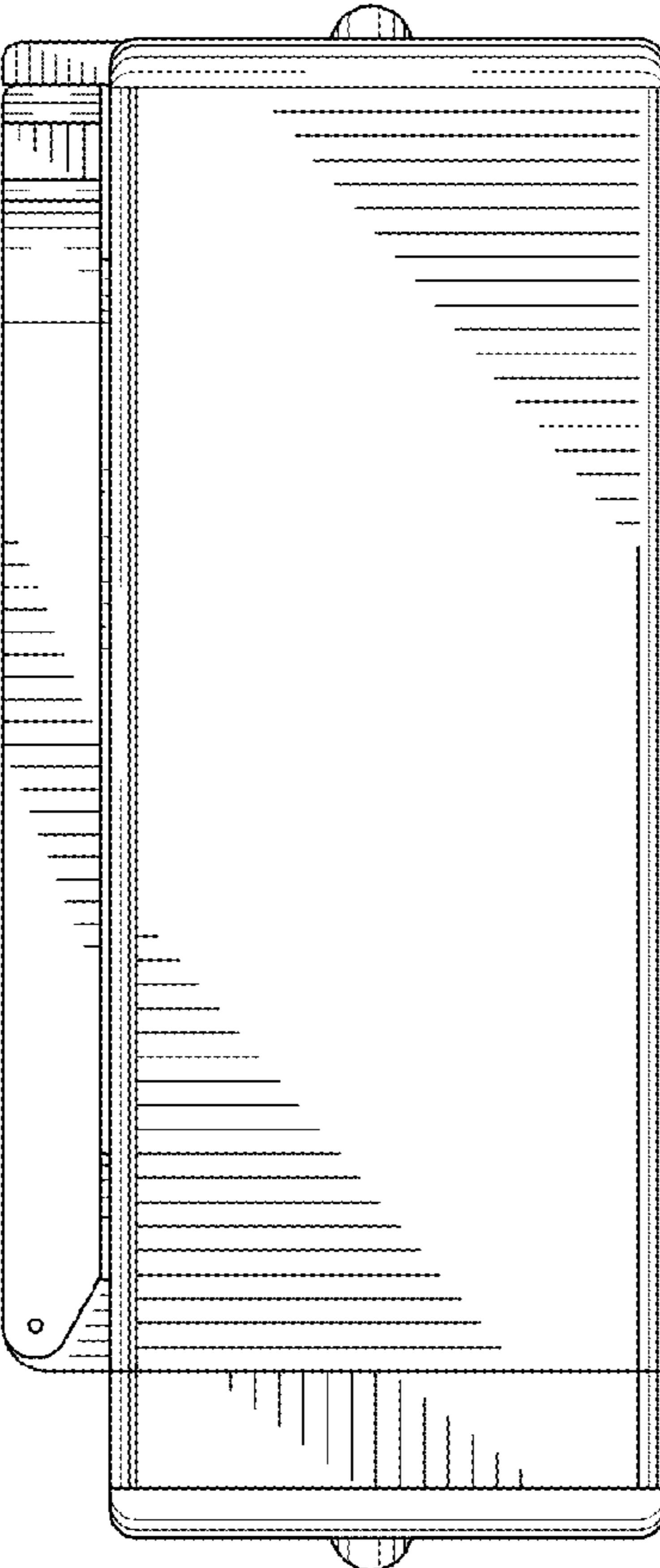


Fig. 7

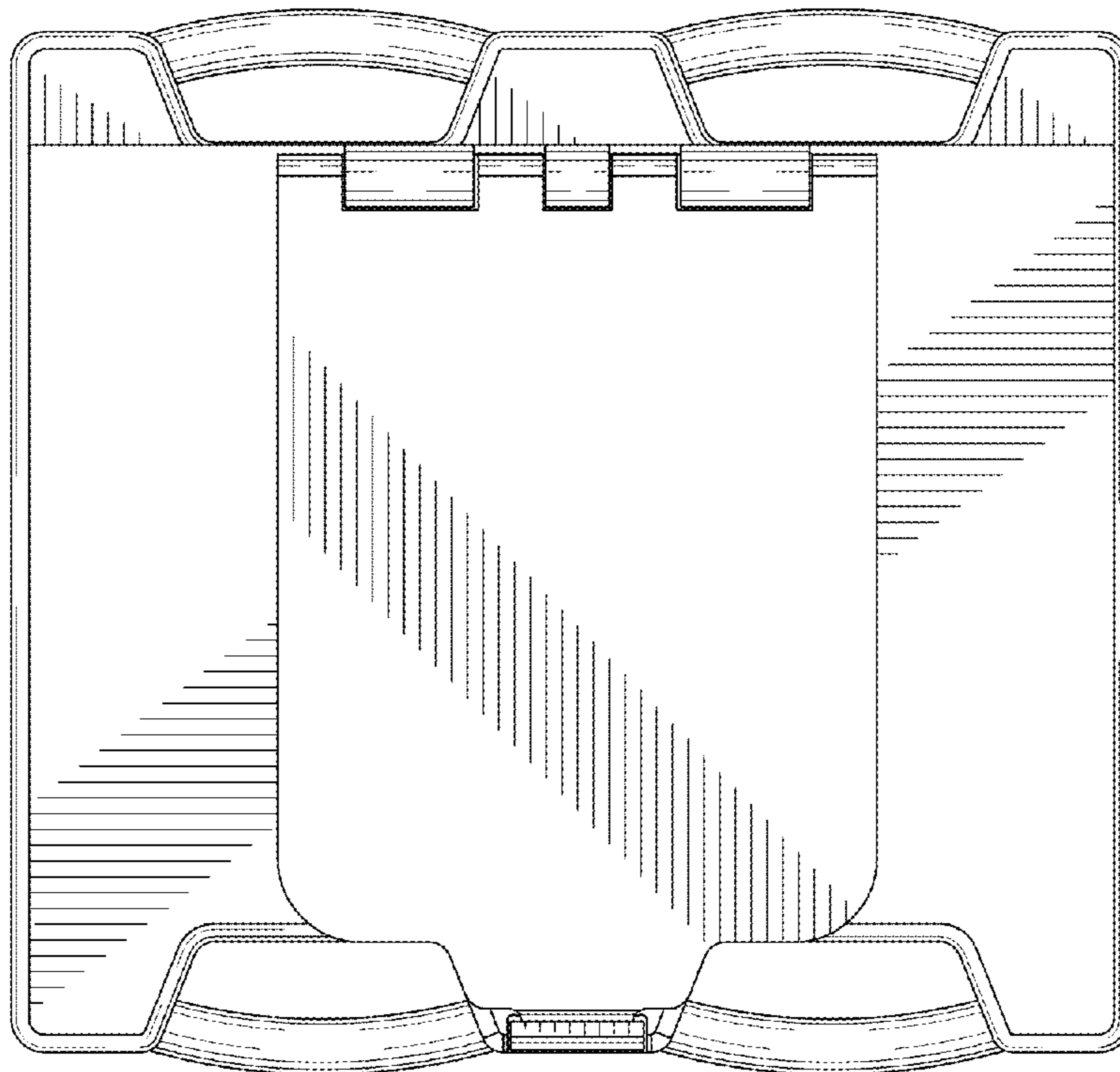


Fig.8

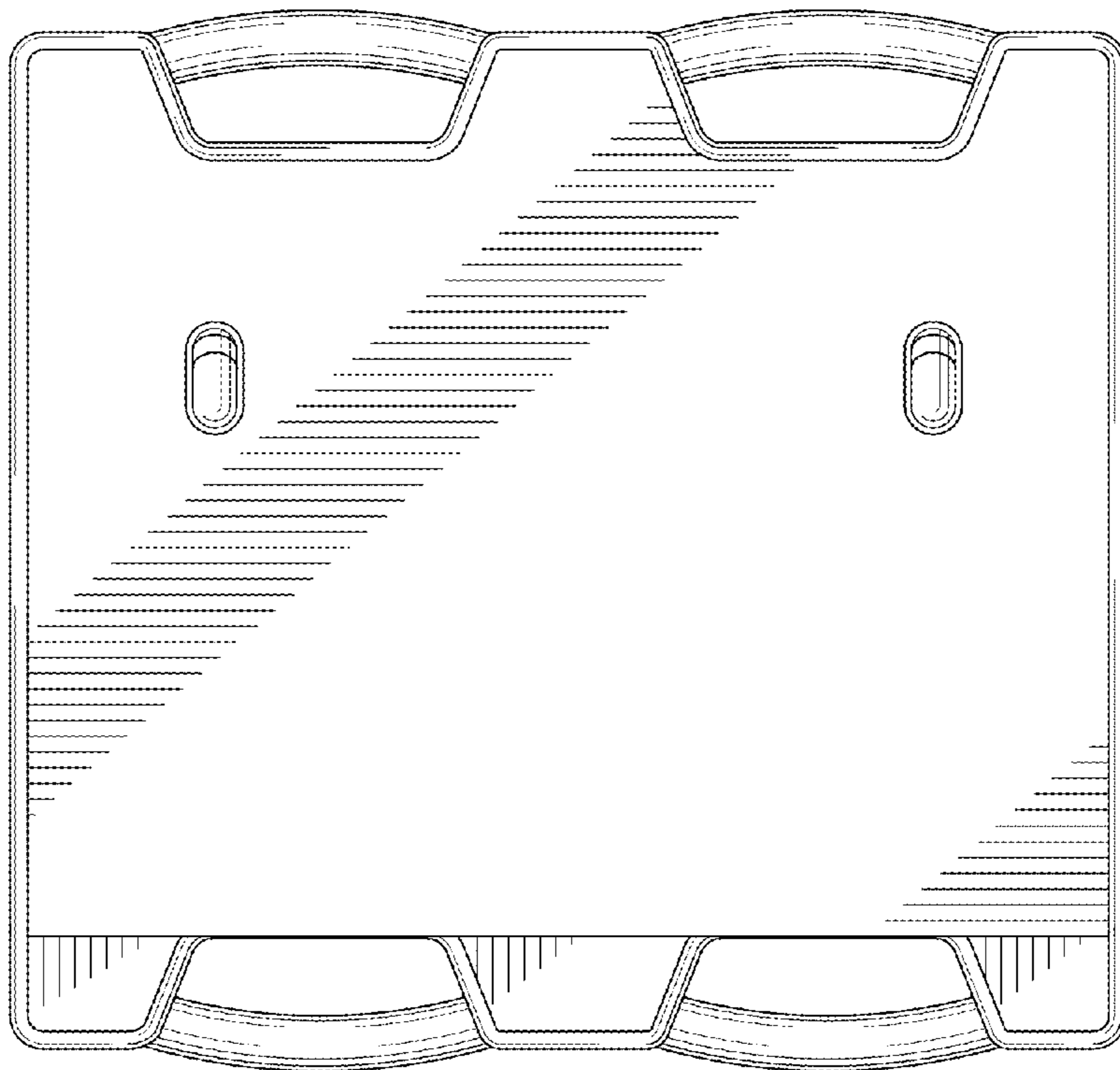


Fig. 9