



US00D712990S

(12) **United States Design Patent**
Hilton

(10) **Patent No.:** **US D712,990 S**

(45) **Date of Patent:** **** Sep. 9, 2014**

(54) **GOLF CLUB HEAD ALIGNMENT PATTERN**

(71) Applicant: **Callaway Golf Company**, Carlsbad, CA (US)

(72) Inventor: **Thomas R. Hilton**, Cardiff, CA (US)

(73) Assignee: **Callaway Golf Company**, Carlsbad, CA (US)

(**) Term: **14 Years**

(21) Appl. No.: **29/466,135**

(22) Filed: **Sep. 4, 2013**

(51) **LOC (10) Cl.** **21-02**

(52) **U.S. Cl.**
USPC **D21/759**

(58) **Field of Classification Search**
USPC D21/736-746, 759; 473/324-331,
473/340-341, 251-256

See application file for complete search history.

(56) **References Cited**

U.S. PATENT DOCUMENTS

| | | | | |
|----------------|---------|--------------------|-------|---------|
| D458,656 S * | 6/2002 | Tang et al. | | D21/738 |
| 6,506,125 B2 * | 1/2003 | Helmstetter et al. | | 473/242 |
| D475,106 S * | 5/2003 | Tang et al. | | D21/759 |
| D485,323 S * | 1/2004 | Wagner et al. | | D21/744 |
| D531,242 S * | 10/2006 | Adams | | D21/746 |
| D542,869 S * | 5/2007 | Adams | | D21/742 |
| D623,710 S * | 9/2010 | Hilton et al. | | D21/743 |
| D625,764 S * | 10/2010 | Hilton et al. | | D21/743 |

| | | | | |
|----------------|---------|------------------|-------|---------|
| D638,891 S * | 5/2011 | Nicolette et al. | | D21/736 |
| D641,814 S * | 7/2011 | Hilton et al. | | D21/742 |
| D641,816 S * | 7/2011 | Rollinson et al. | | D21/744 |
| D643,485 S * | 8/2011 | Nicolette et al. | | D21/736 |
| D645,104 S * | 9/2011 | Nicolette et al. | | D21/759 |
| D650,459 S * | 12/2011 | Rollinson | | D21/746 |
| D653,718 S * | 2/2012 | Stokke et al. | | D21/743 |
| 8,480,504 B2 * | 7/2013 | Hilton et al. | | 473/242 |
| 8,517,852 B1 * | 8/2013 | Hilton et al. | | 473/242 |
| 8,550,931 B1 * | 10/2013 | Hilton et al. | | 473/242 |
| 8,696,483 B2 * | 4/2014 | Hilton et al. | | 473/242 |
| D704,287 S * | 5/2014 | Tang et al. | | D21/742 |

* cited by examiner

Primary Examiner — Mitchell Siegel

(74) *Attorney, Agent, or Firm* — Rebecca Hanovice; Michael A. Catania; Sonia Lari

(57) **CLAIM**

The ornamental design for a golf club head alignment pattern, as shown and described.

DESCRIPTION

FIG. 1 is a rear perspective view of a golf club head alignment pattern as claimed herein;

FIG. 2 is a front view thereof;

FIG. 3 is a rear view thereof;

FIG. 4 is a right side view thereof;

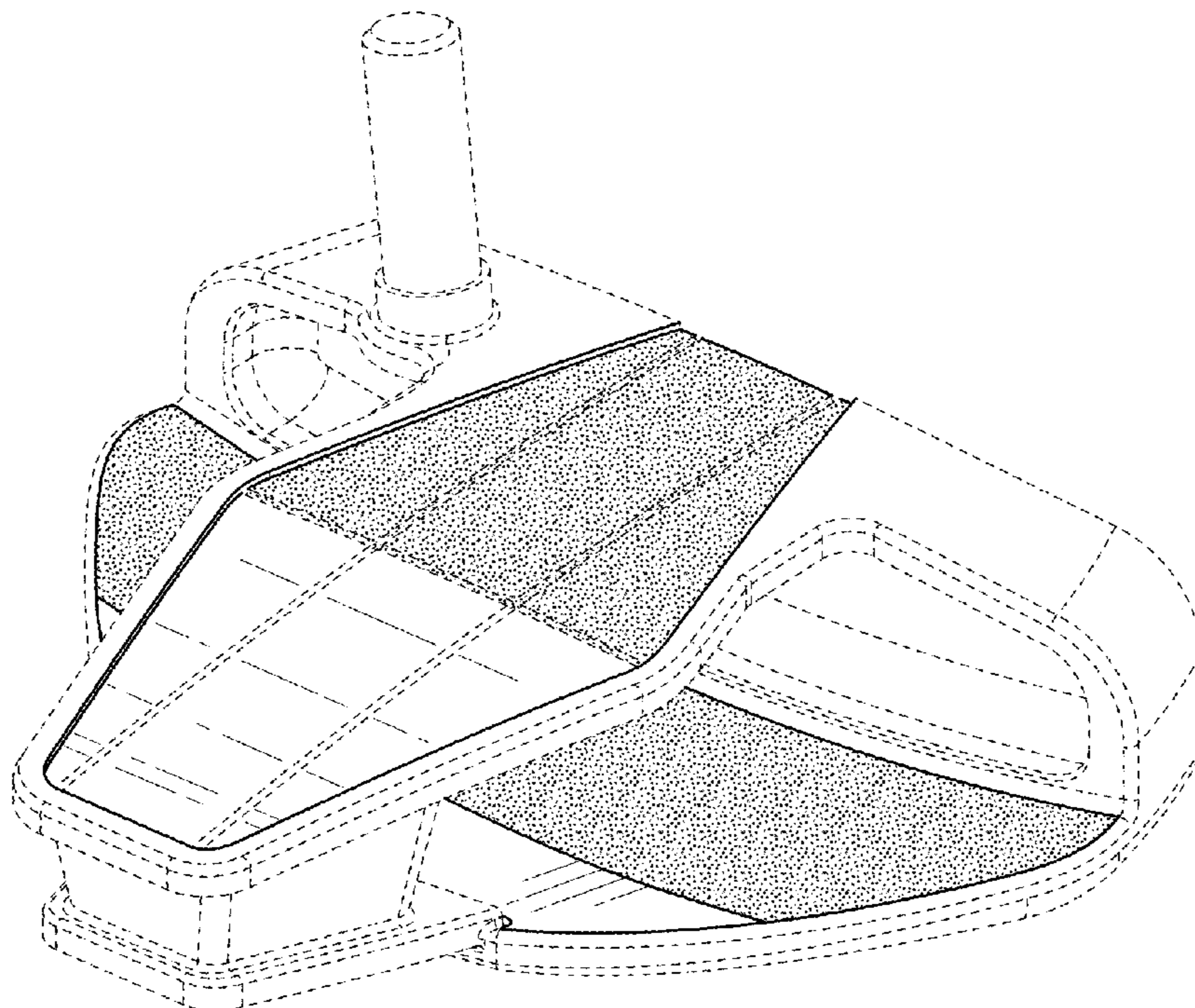
FIG. 5 is a left side view thereof;

FIG. 6 is a top plan view thereof; and,

FIG. 7 is a bottom plan view thereof.

The broken lines are included for the purpose of illustration only and form no part of the claimed design.

1 Claim, 4 Drawing Sheets



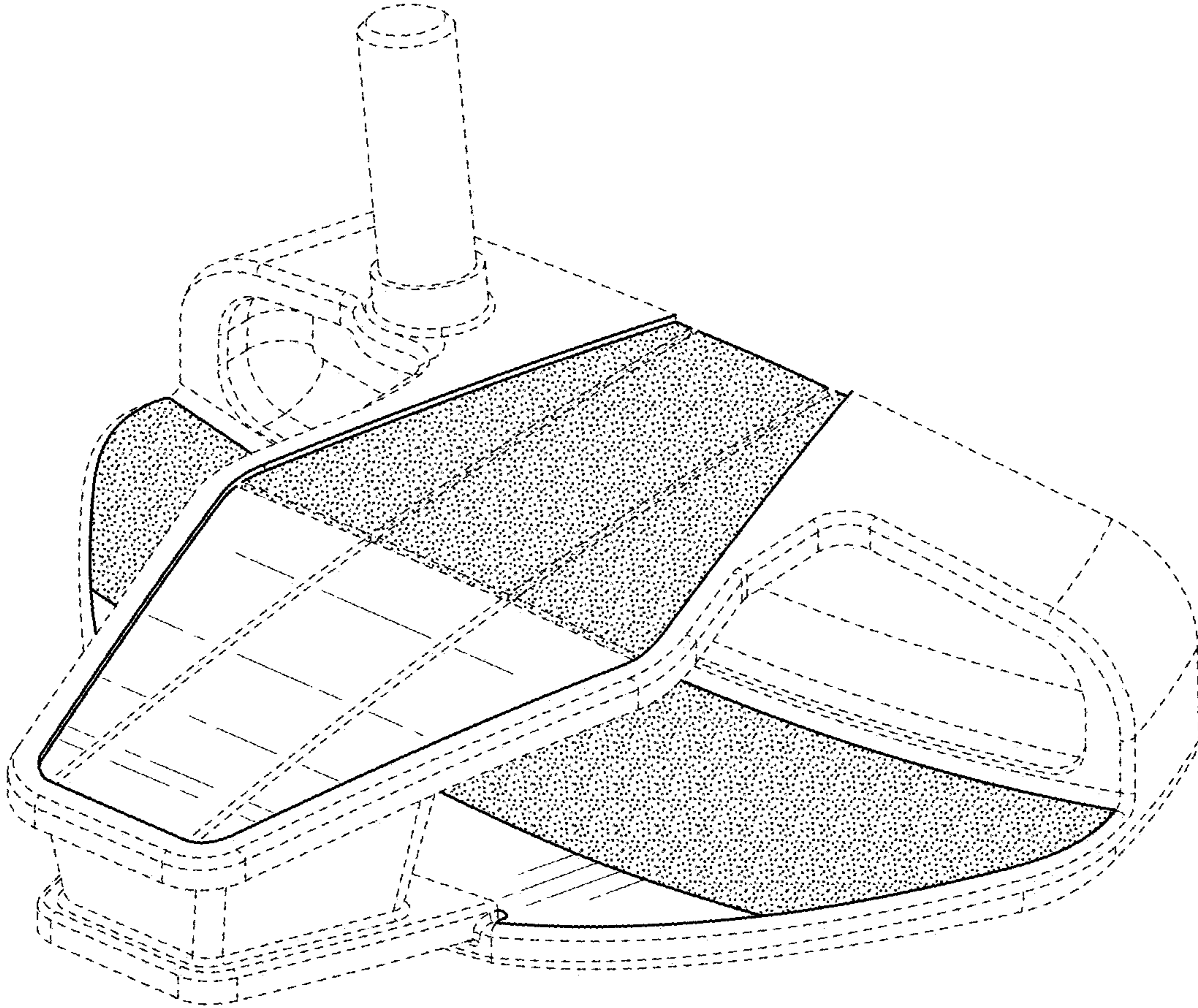


FIG. 1

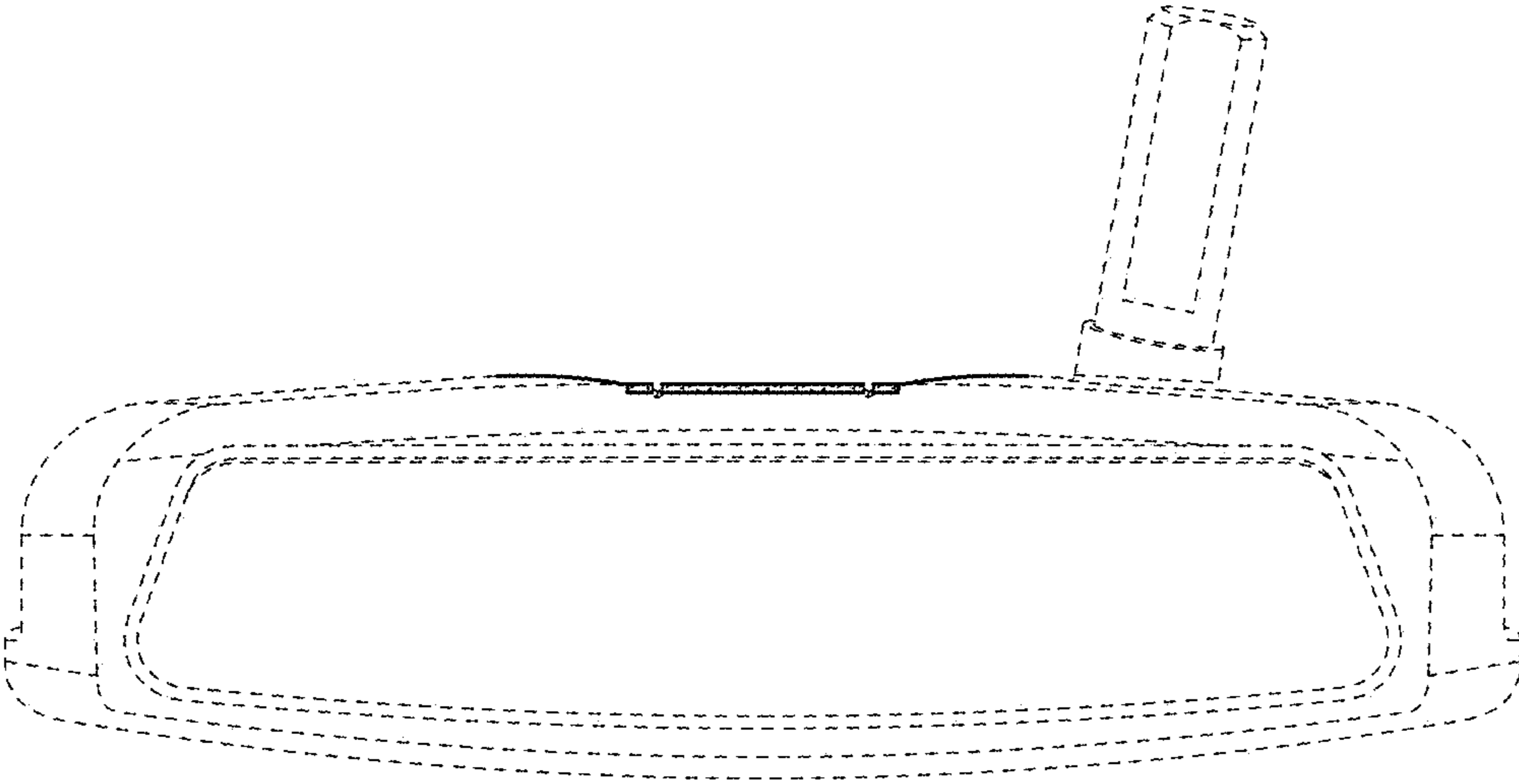


FIG. 2

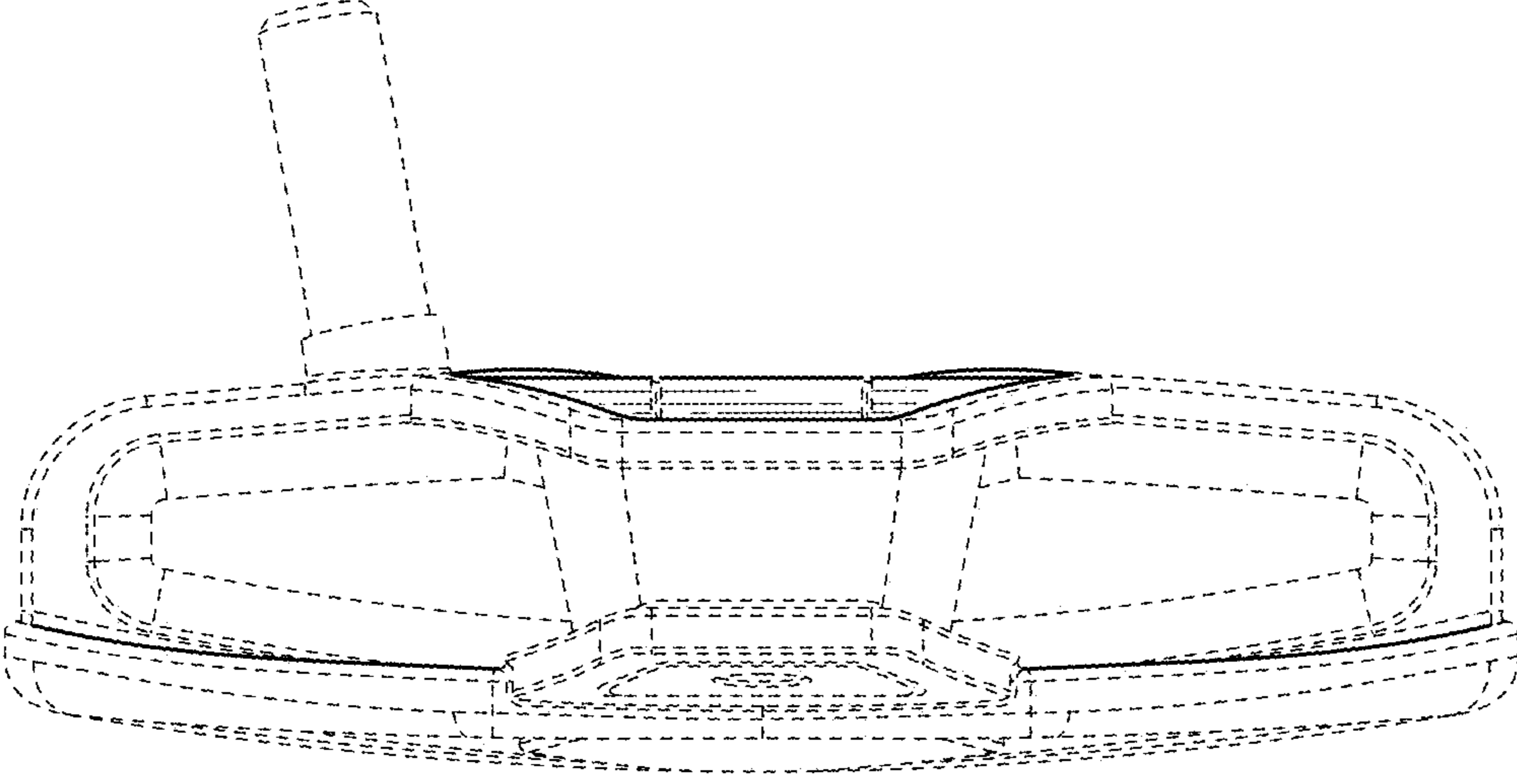


FIG. 3

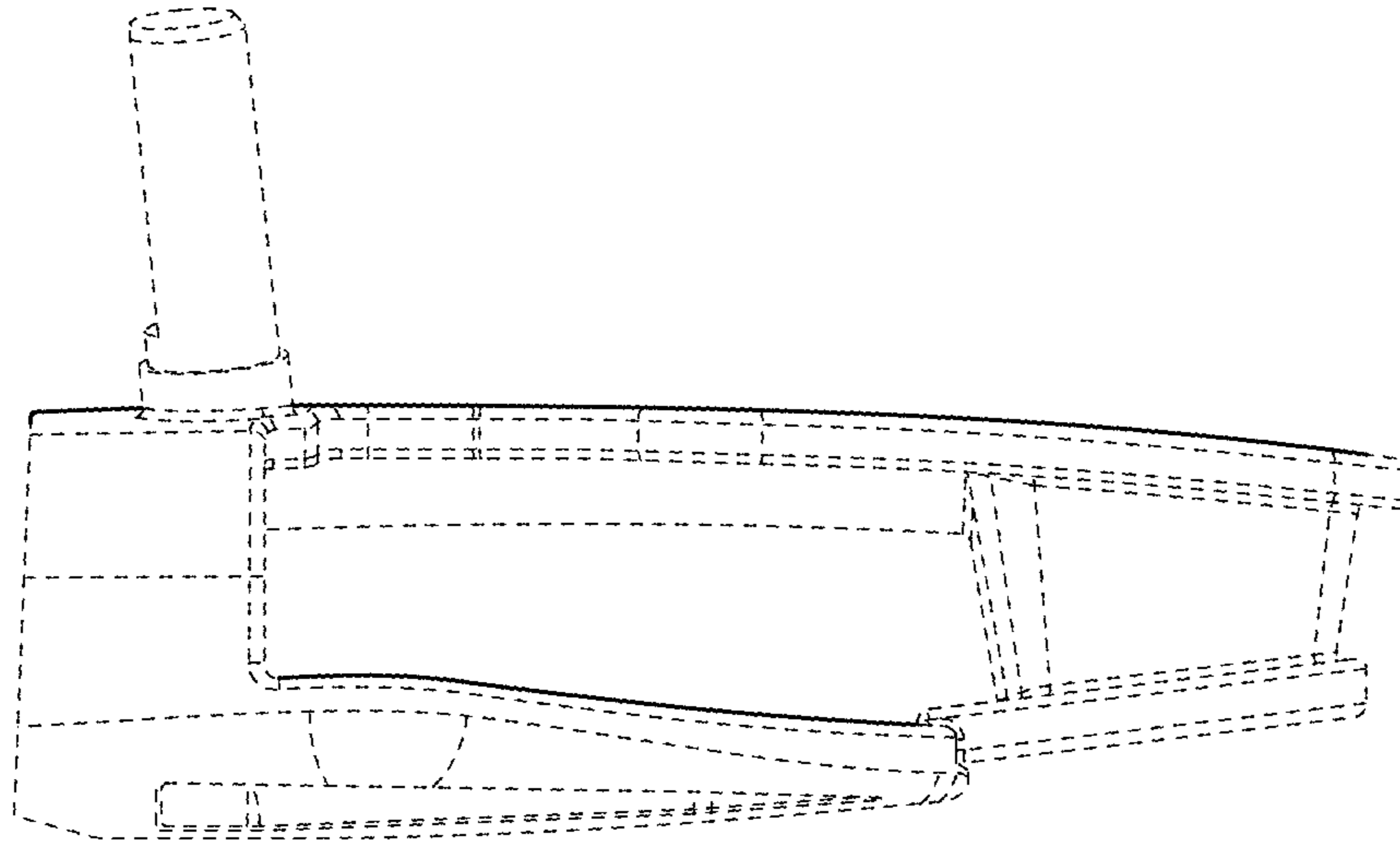


FIG. 4

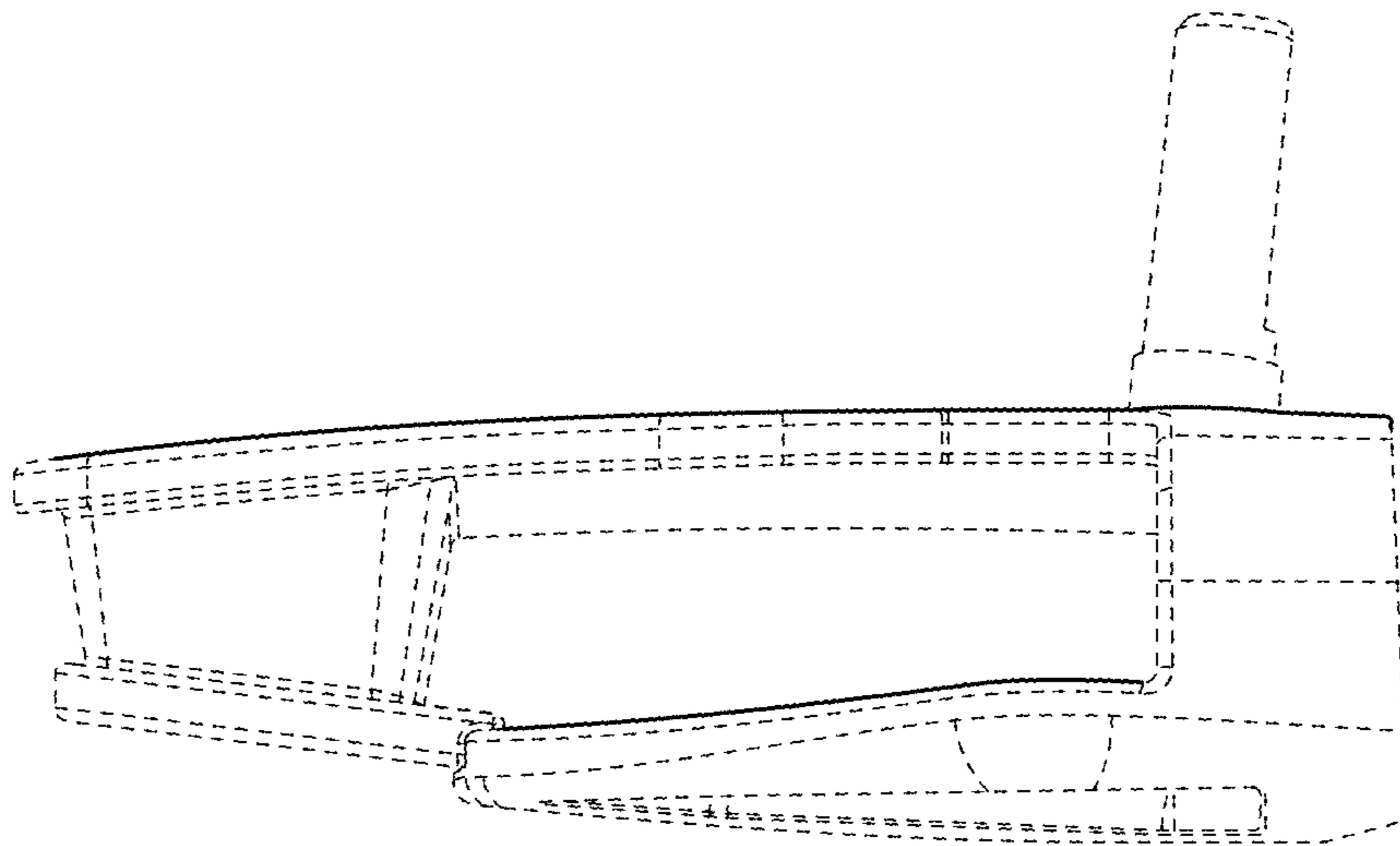


FIG. 5

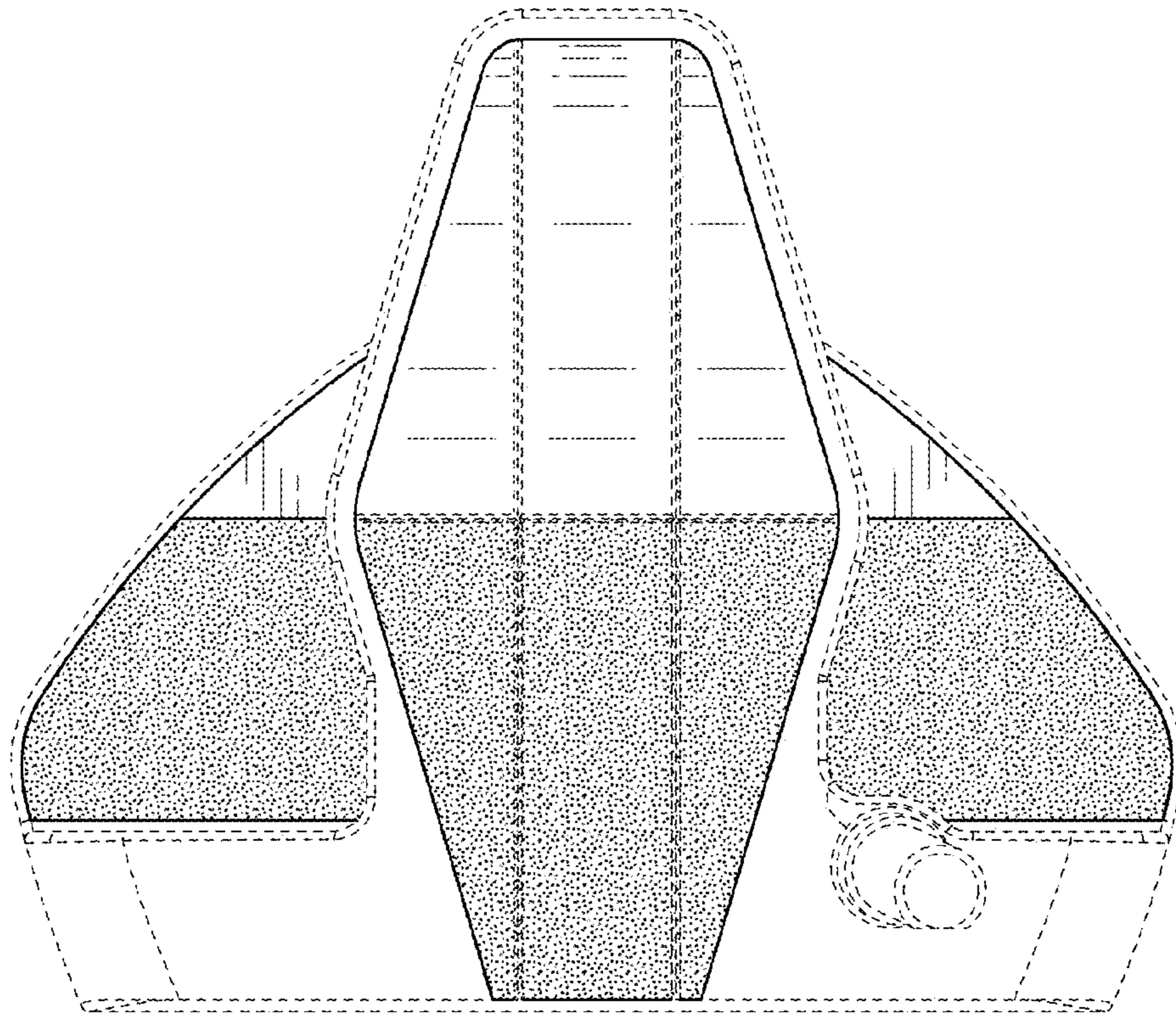


FIG. 6

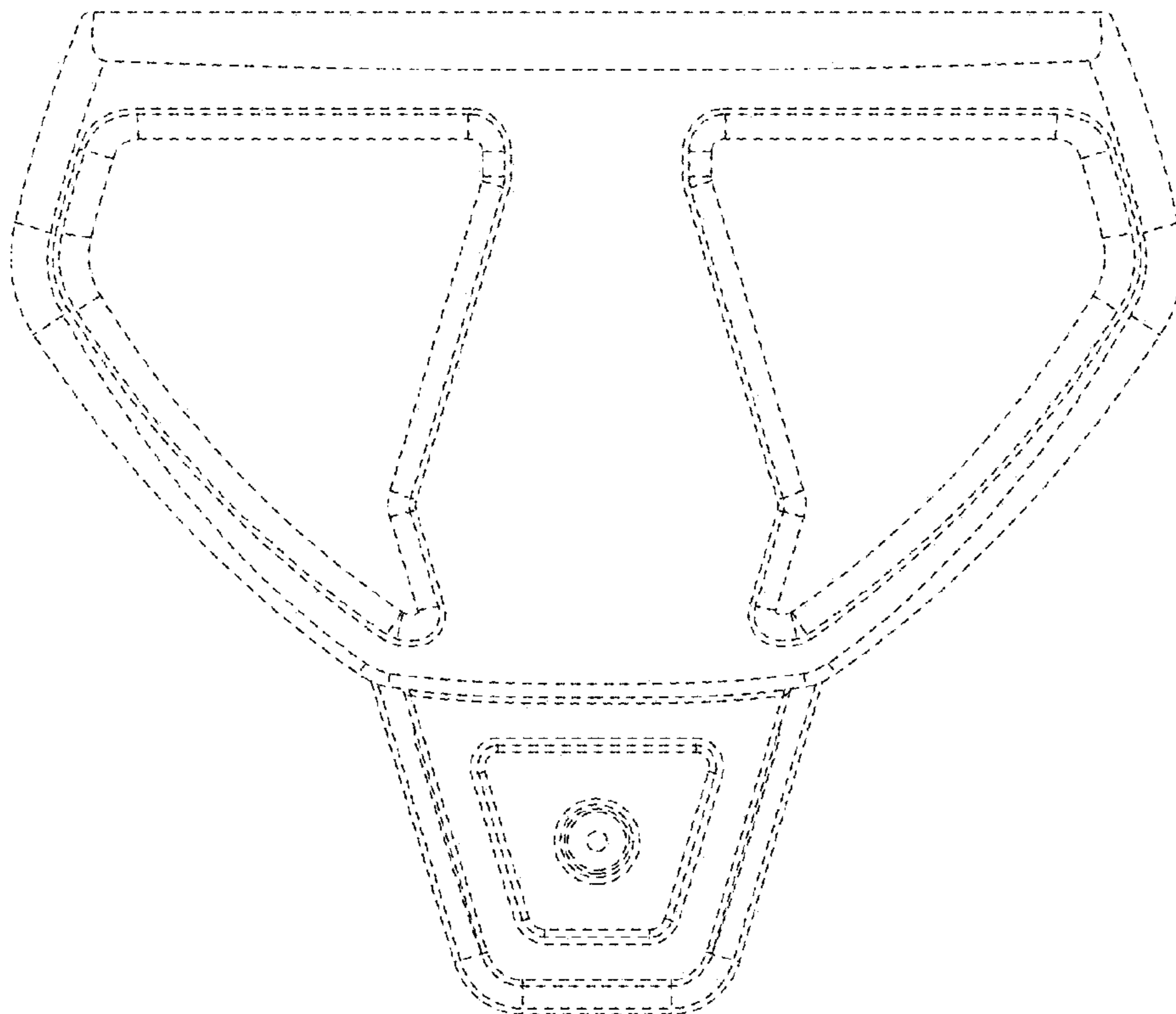


FIG. 7