



US00D712985S

(12) **United States Design Patent**  
**Gunter**

(10) **Patent No.:** **US D712,985 S**

(45) **Date of Patent:** **\*\* \*Sep. 9, 2014**

(54) **TOY**

(56)

**References Cited**

U.S. PATENT DOCUMENTS

(71) Applicant: **Kids II, Inc.**, Atlanta, GA (US)

(72) Inventor: **Matthew Jay Gunter**, Atlanta, GA (US)

(73) Assignee: **Kids II, Inc.**, Atlanta, GA (US)

D159,135 S *	6/1950	Blaich et al. ....	D21/585
D265,843 S *	8/1982	Tung .....	D21/596
D437,367 S *	2/2001	Wang .....	D21/596
D519,165 S *	4/2006	Lau .....	D21/398
D535,337 S *	1/2007	Liu .....	D21/360
D613,346 S *	4/2010	Hayes et al. ....	D21/596

(\*) Notice: This patent is subject to a terminal disclaimer.

\* cited by examiner

*Primary Examiner* — Sandra Morris

(\*\*) Term: **14 Years**

(74) *Attorney, Agent, or Firm* — Joseph W. Staley; Katherine D. Buchanan

(21) Appl. No.: **29/459,156**

(57) **CLAIM**

The ornamental design for a toy, as shown and described.

(22) Filed: **Jun. 26, 2013**

**DESCRIPTION**

(51) **LOC (10) Cl.** ..... **21-01**

FIG. 1 is a perspective view of a toy embodying my new design.

(52) **U.S. Cl.**

FIG. 2 is a front elevation view of the toy of FIG. 1.

USPC ..... **D21/596**; D21/585; D21/398

FIG. 3 is a right side elevation view of the toy of FIG. 1.

(58) **Field of Classification Search**

USPC ..... D21/360, 398, 585, 587–588, 596;  
446/72–73, 97–98, 268–269, 297, 369;  
D6/598; D11/158, 160; D30/160

FIG. 4 is a left side elevation view of the toy of FIG. 1.

FIG. 5 is a back elevation view of the toy of FIG. 1; and,

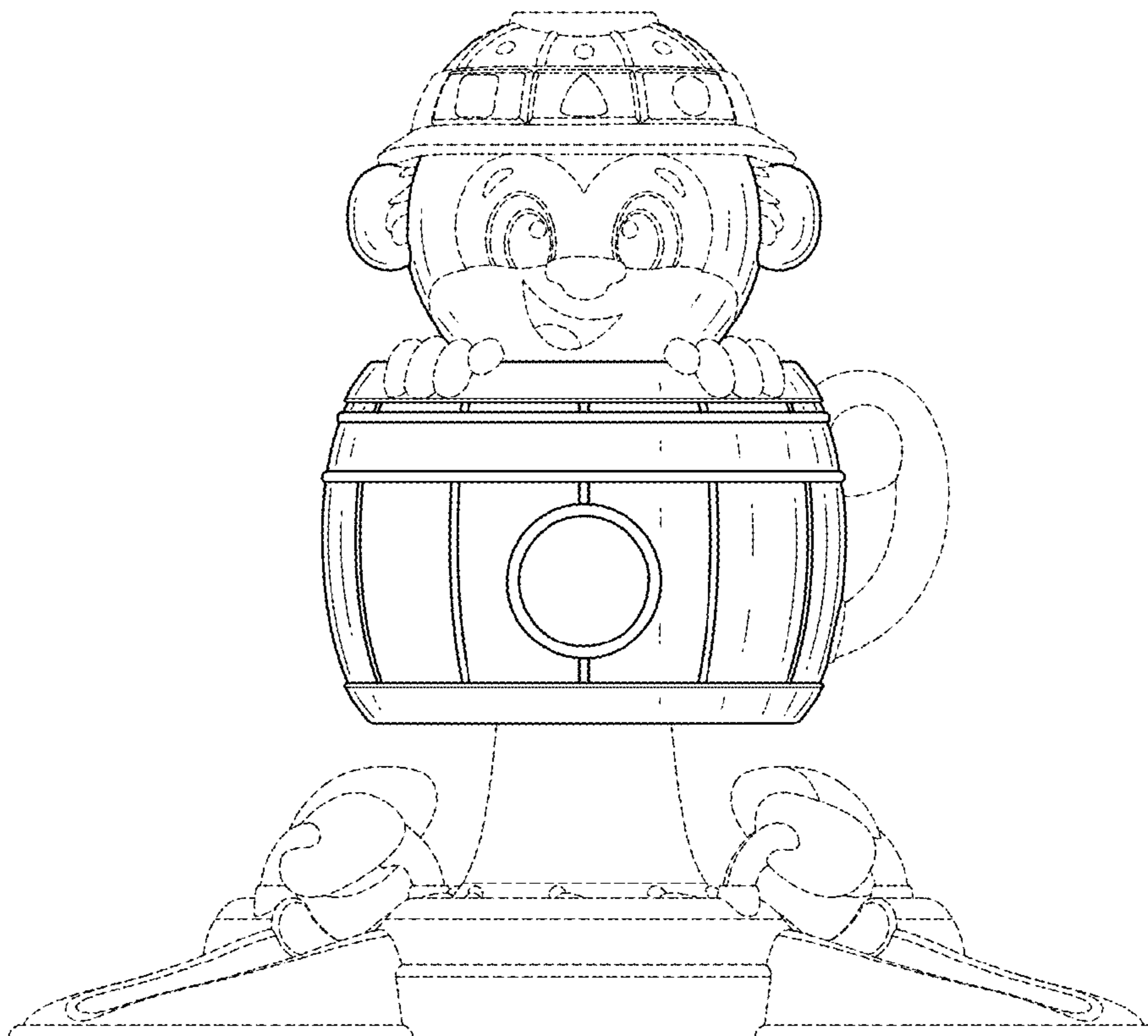
FIG. 6 is a top plan view of the toy of FIG. 1.

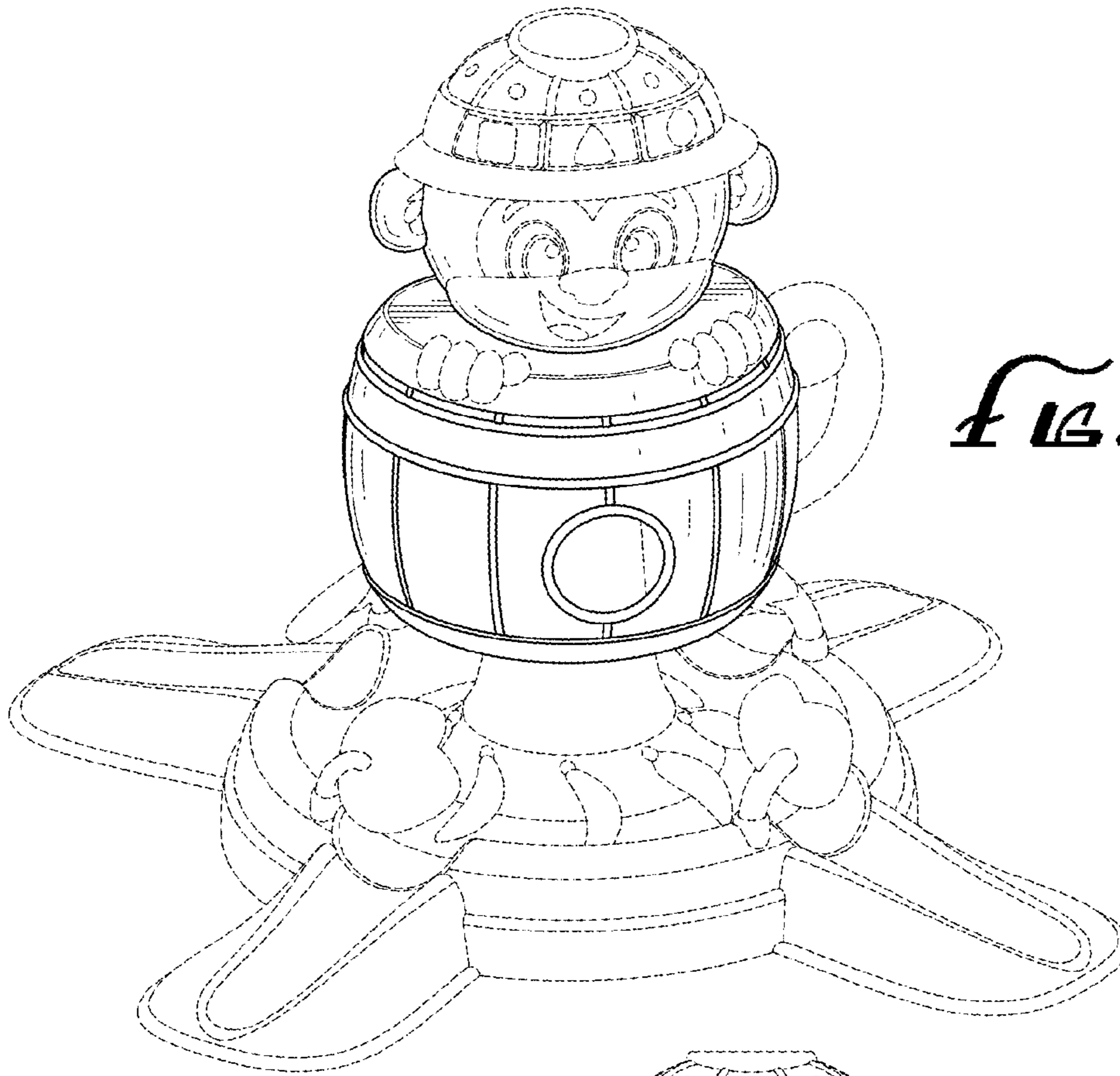
The bottom is flat and forms no part of the claimed design.

Portions shown in broken lines are for illustrative purposes only and form no part of the claimed design.

See application file for complete search history.

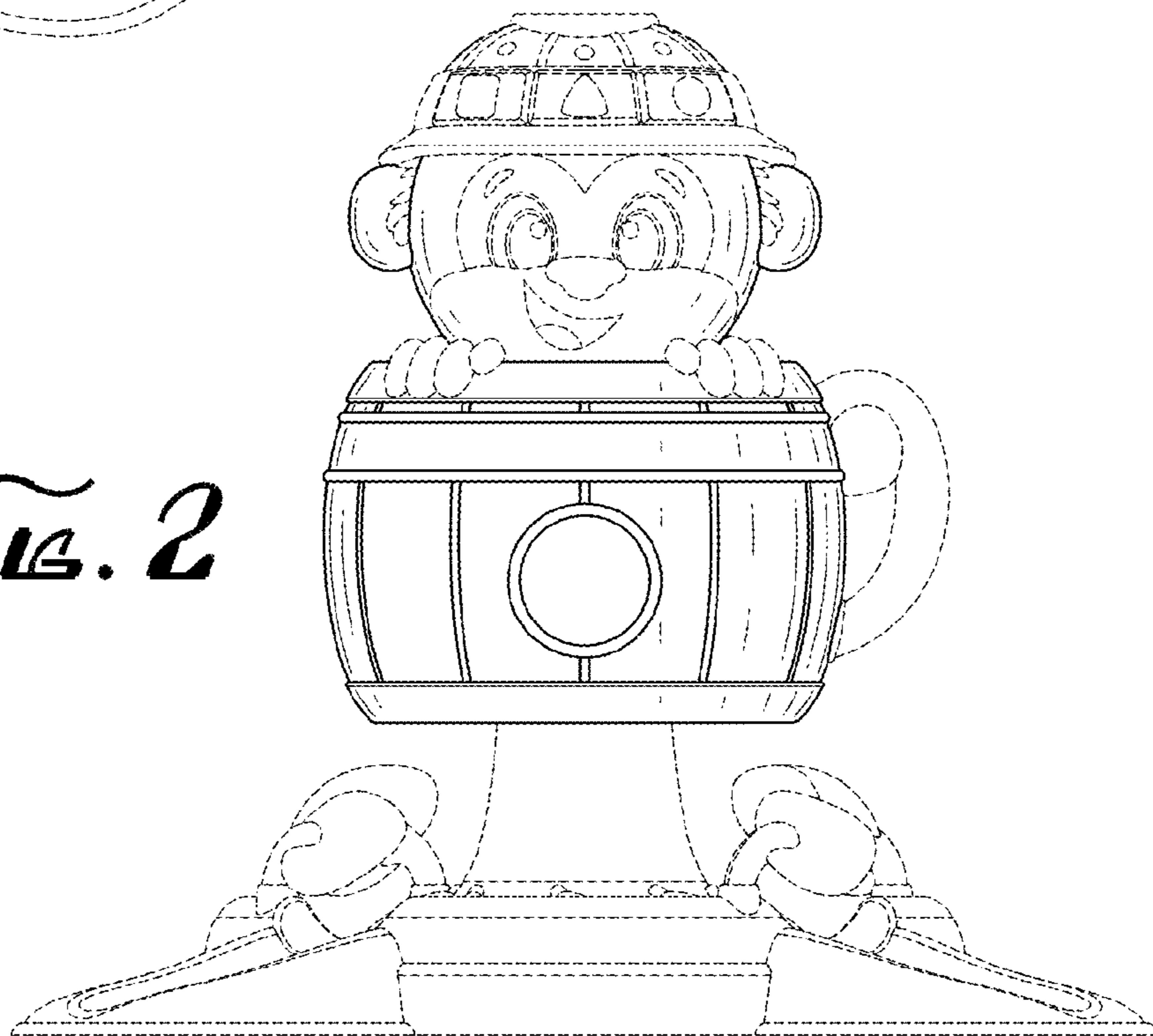
**1 Claim, 3 Drawing Sheets**

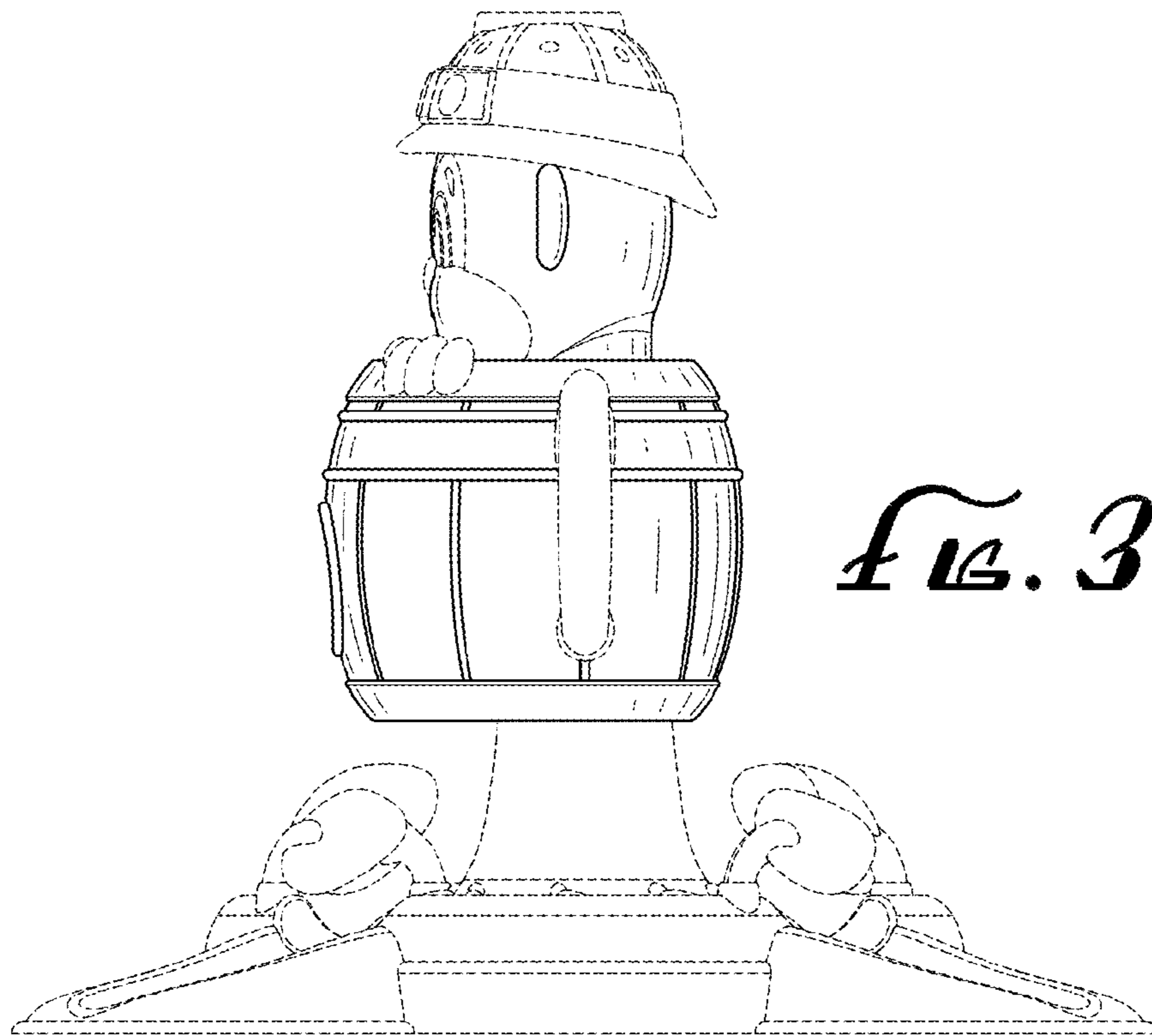




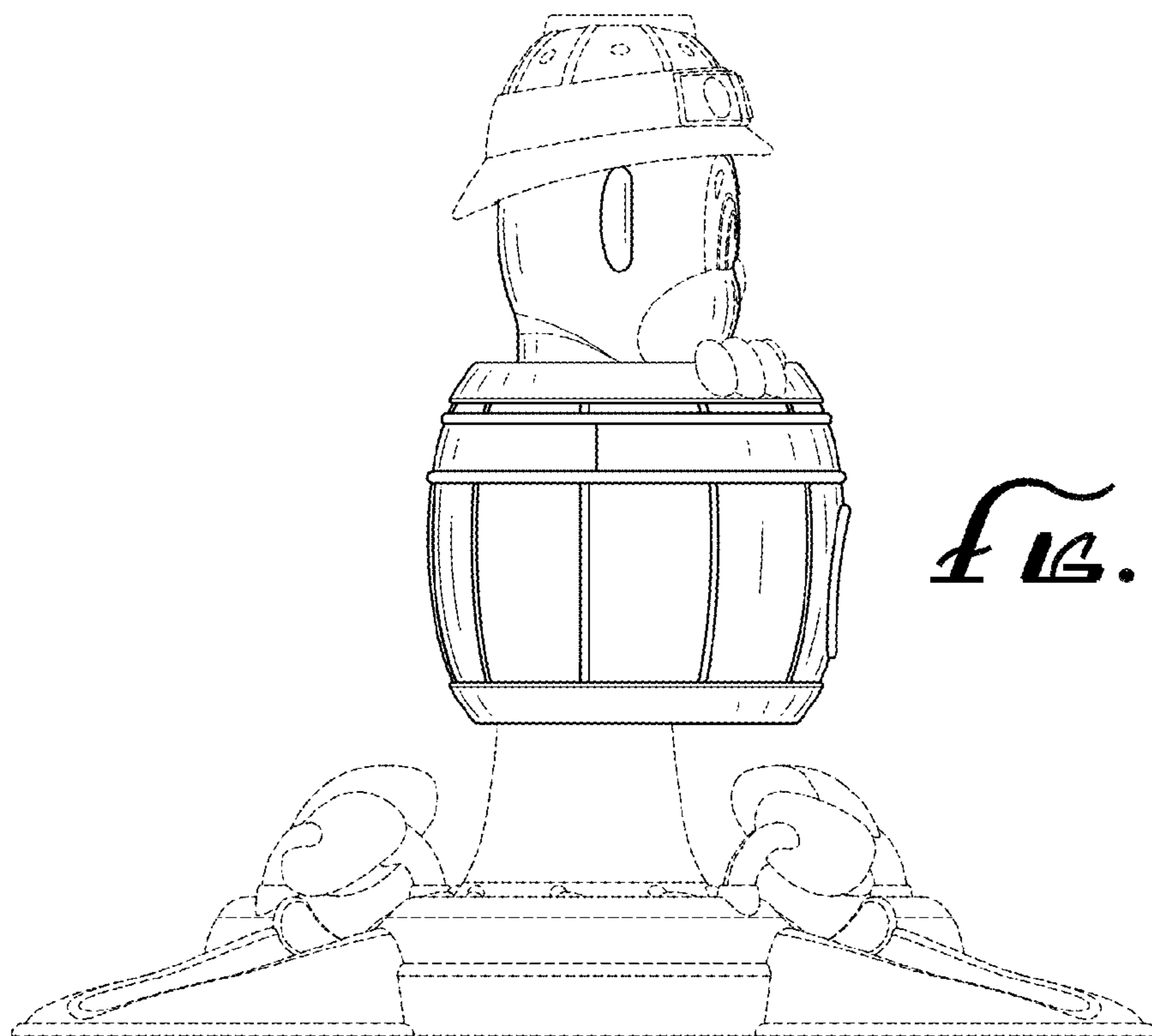
*FIG. 1*

*FIG. 2*

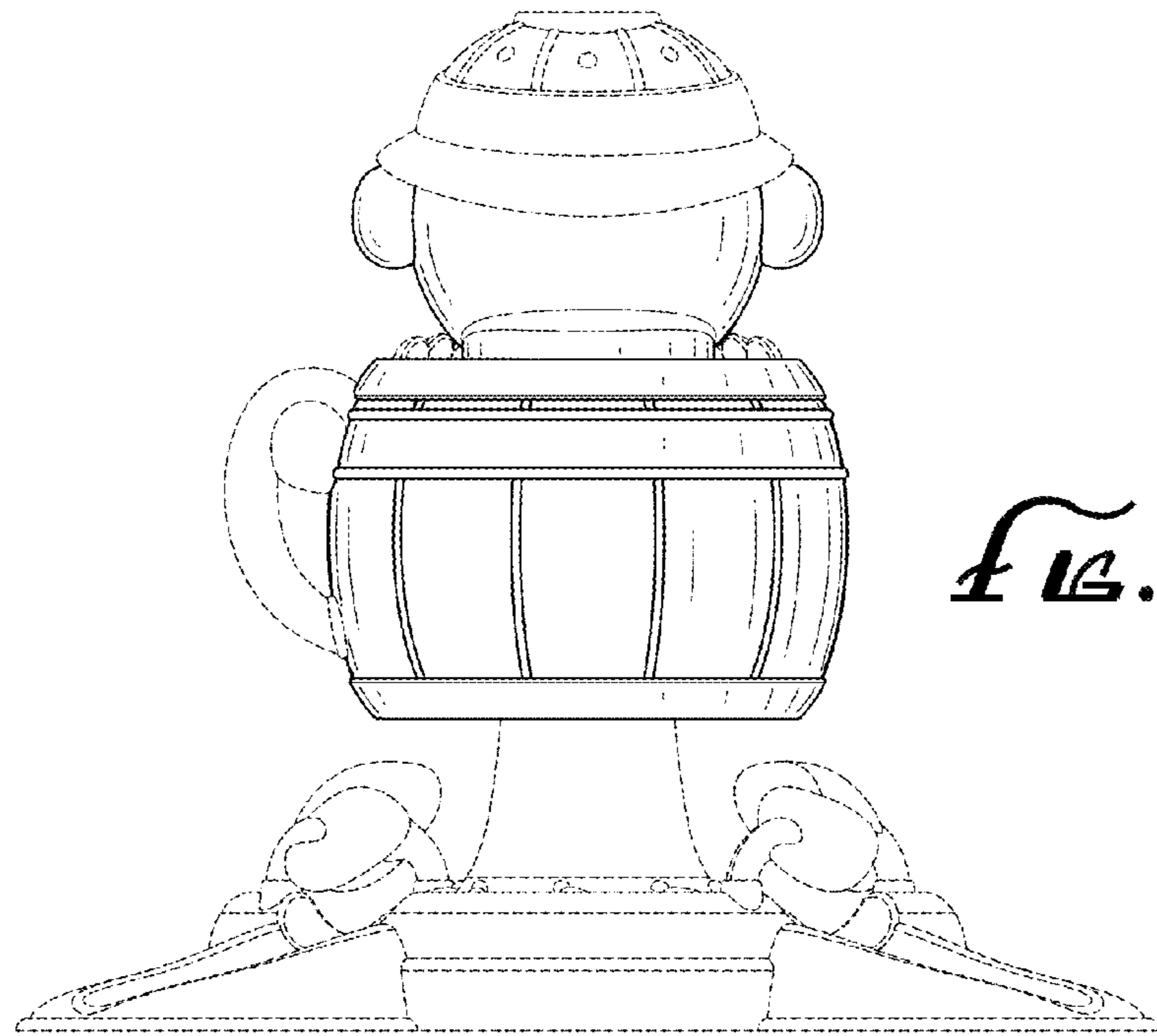




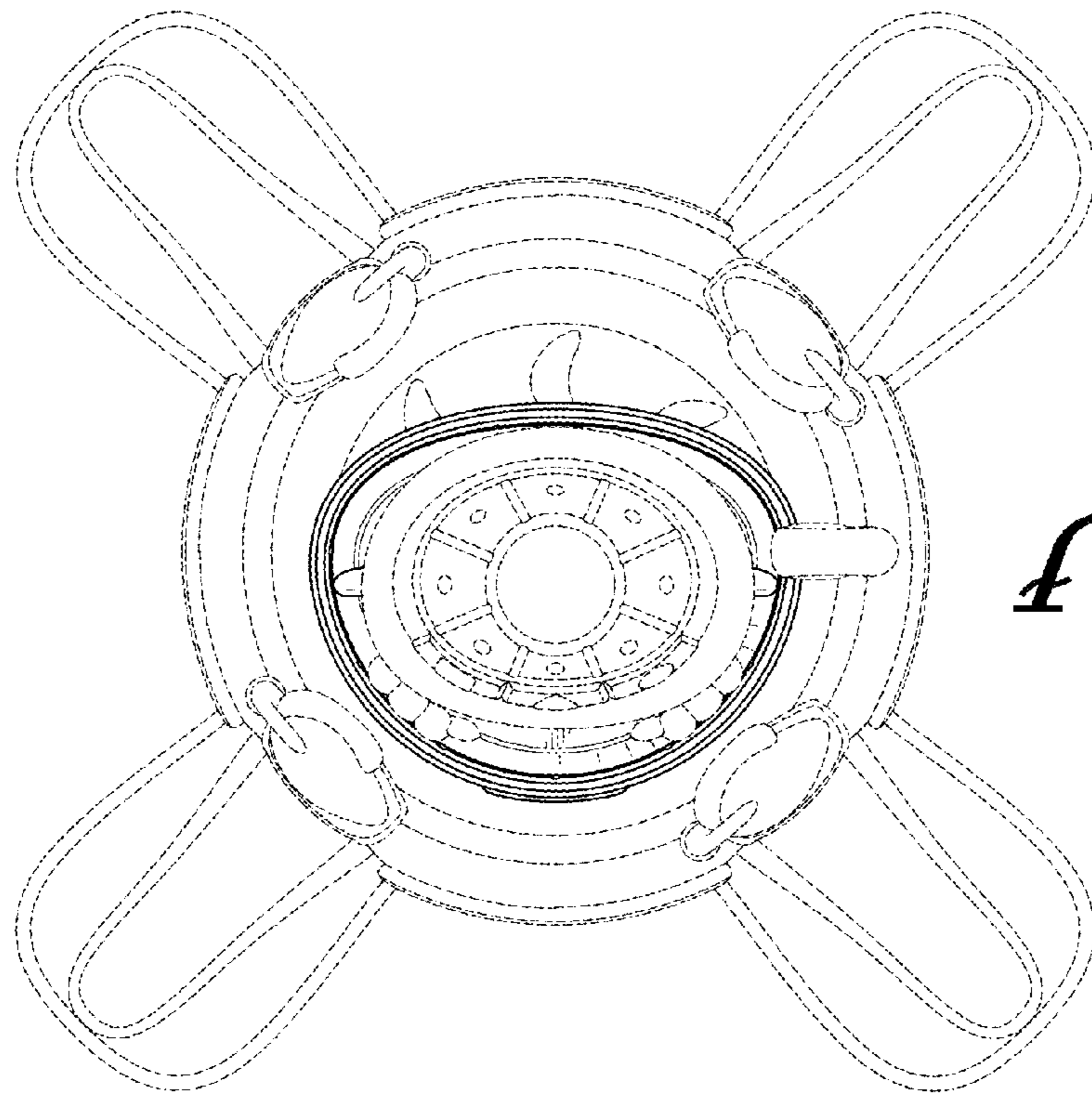
*FIG. 3*



*FIG. 4*



*FIG. 5*



*FIG. 6*