



US00D712984S

(12) **United States Design Patent**
Lee

(10) **Patent No.:** **US D712,984 S**
(45) **Date of Patent:** **** Sep. 9, 2014**

(54) **TOY ROBOT**

(71) Applicant: **Wen-Hsien Lee**, New Taipei (TW)

(72) Inventor: **Wen-Hsien Lee**, New Taipei (TW)

(**) Term: **14 Years**

(21) Appl. No.: **29/472,736**

(22) Filed: **Nov. 15, 2013**

(51) **LOC (10) Cl.** **21-01**

(52) **U.S. Cl.**
USPC **D21/578; D15/199**

(58) **Field of Classification Search**
USPC D21/578-583, 621, 622; 446/268-274,
446/279, 280, 285, 289-292, 294, 297-303,
446/353-355, 376-384; D15/199;
318/568.11, 568.12, 568.2
See application file for complete search history.

(56) **References Cited**

U.S. PATENT DOCUMENTS

D298,766 S *	11/1988	Tanno et al.	D21/578
6,604,021 B2 *	8/2003	Imai et al.	700/245
D541,353 S *	4/2007	Takahashi	D21/578
D561,214 S *	2/2008	Mitchell	D15/199
D561,796 S *	2/2008	Mitchell	D15/199
D593,164 S *	5/2009	Sonoda	D21/578

D622,786 S *	8/2010	Lee	D21/578
D647,147 S *	10/2011	Wong	D21/578
D647,148 S *	10/2011	Wong	D21/578
D647,149 S *	10/2011	Wong	D21/578
D681,134 S *	4/2013	Lee	D21/578

* cited by examiner

Primary Examiner — Zenia Bennett

(74) *Attorney, Agent, or Firm* — C. G. Mersereau; Nikolai & Mersereau, P.A.

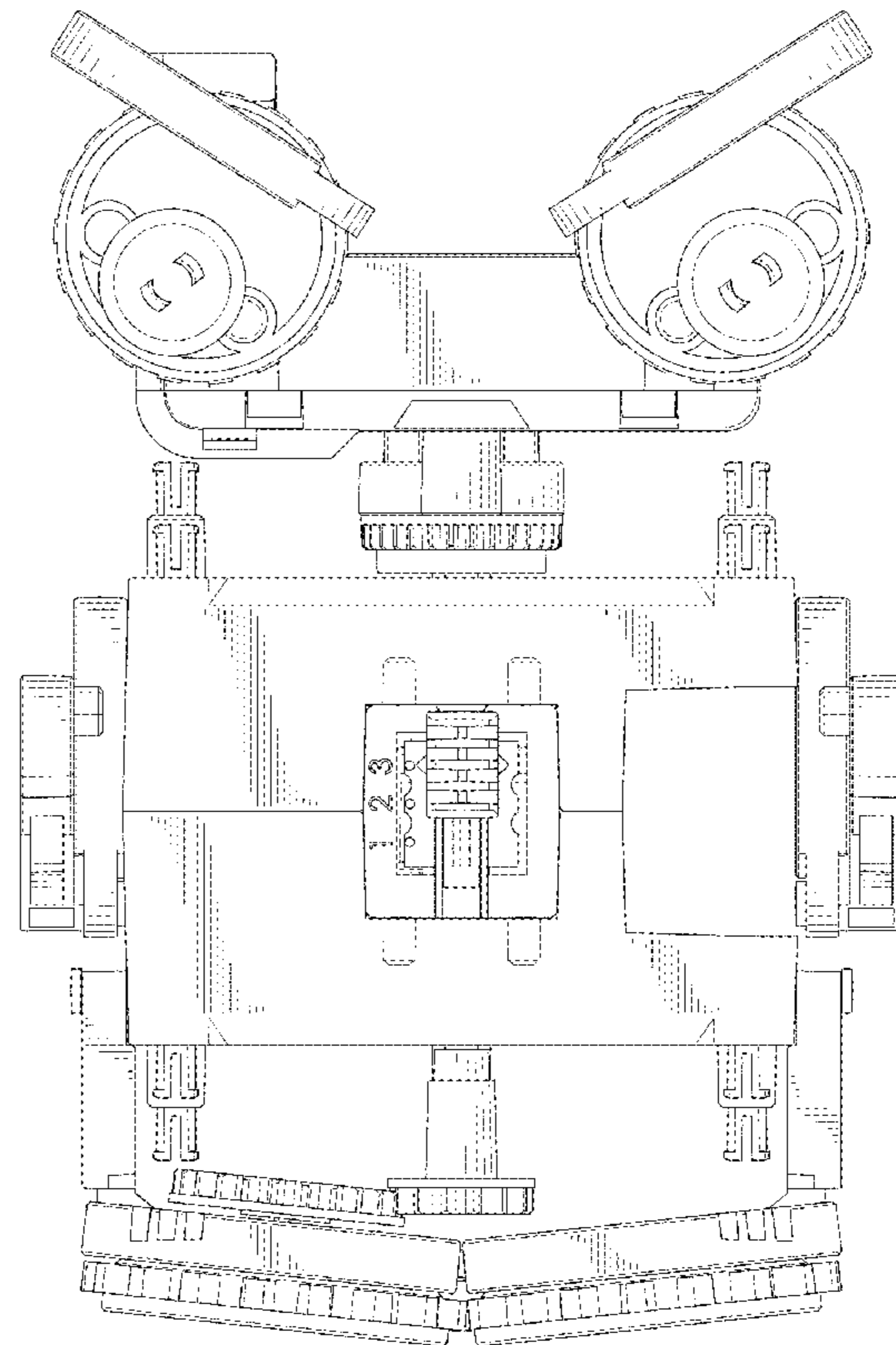
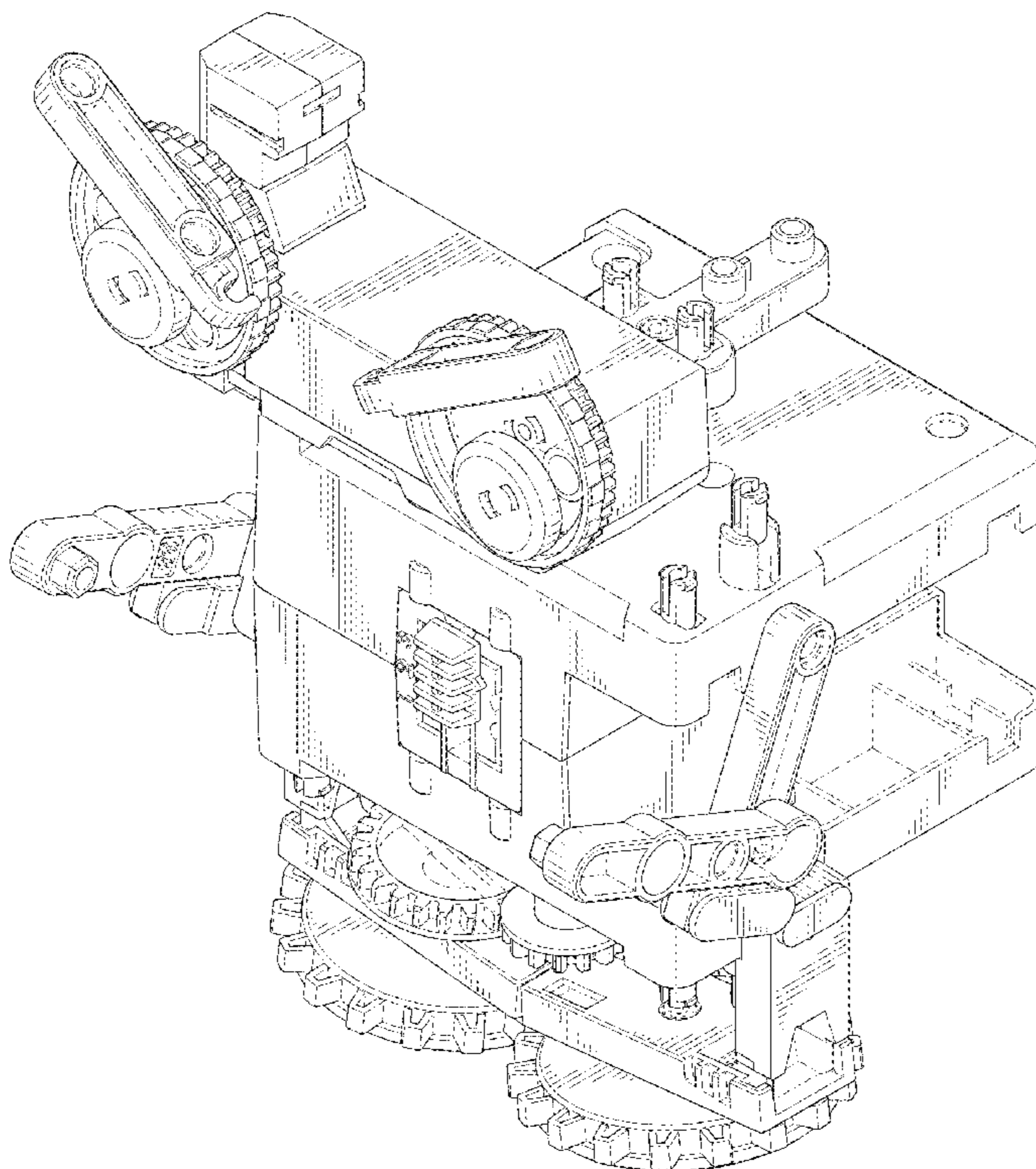
(57) **CLAIM**

The ornamental design for a toy robot, as shown and described.

DESCRIPTION

FIG. 1 is a perspective view of a toy robot showing my new design;
FIG. 2 is a front view thereof;
FIG. 3 is a rear view thereof;
FIG. 4 is a left side view thereof;
FIG. 5 is a right side view thereof;
FIG. 6 is a top view thereof;
FIG. 7 is a bottom view thereof; and,
FIG. 8 is another perspective view thereof.
The broken lines are shown for illustrative purposes only and form no part of the claimed design.

1 Claim, 8 Drawing Sheets



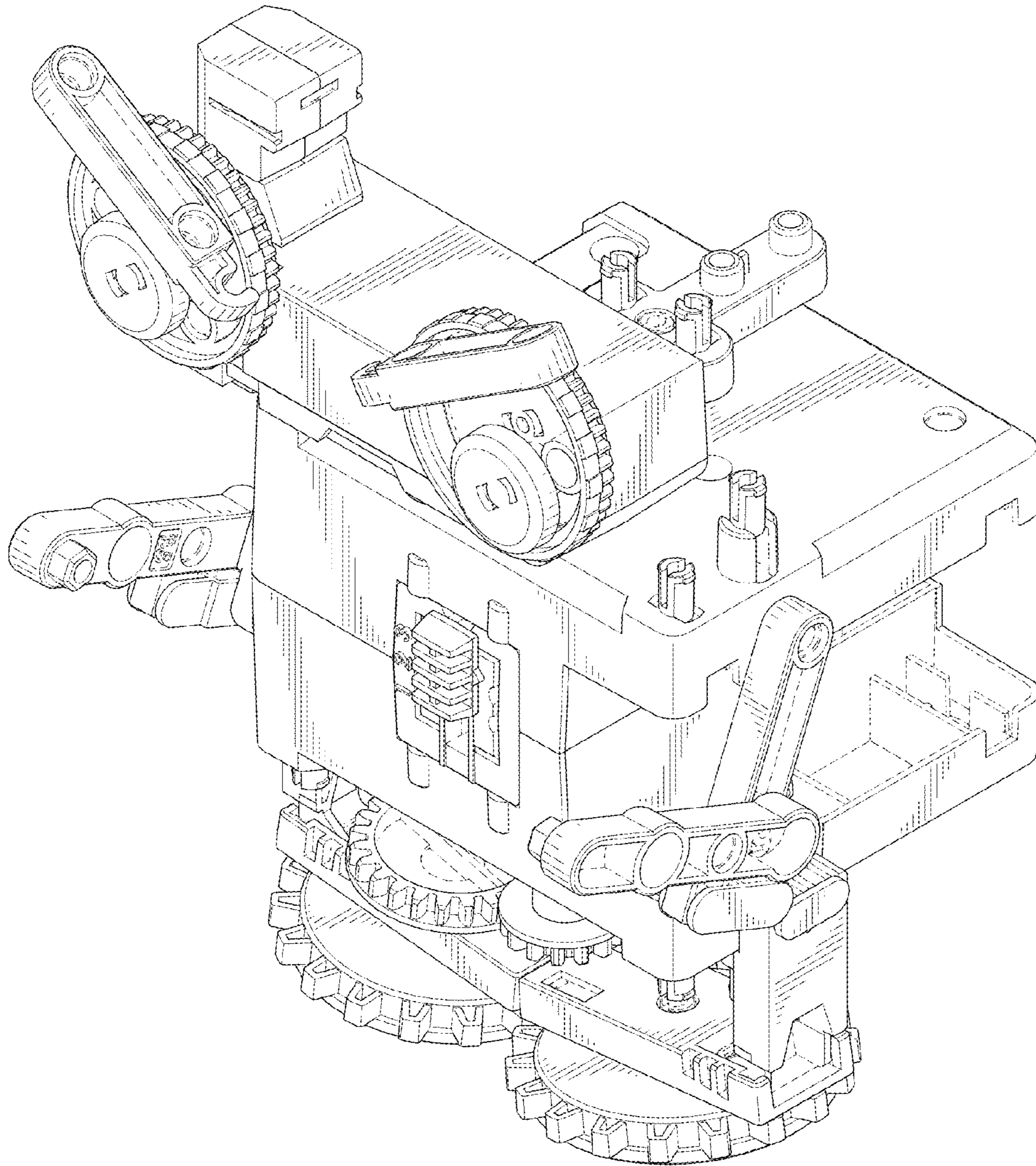


FIG.1

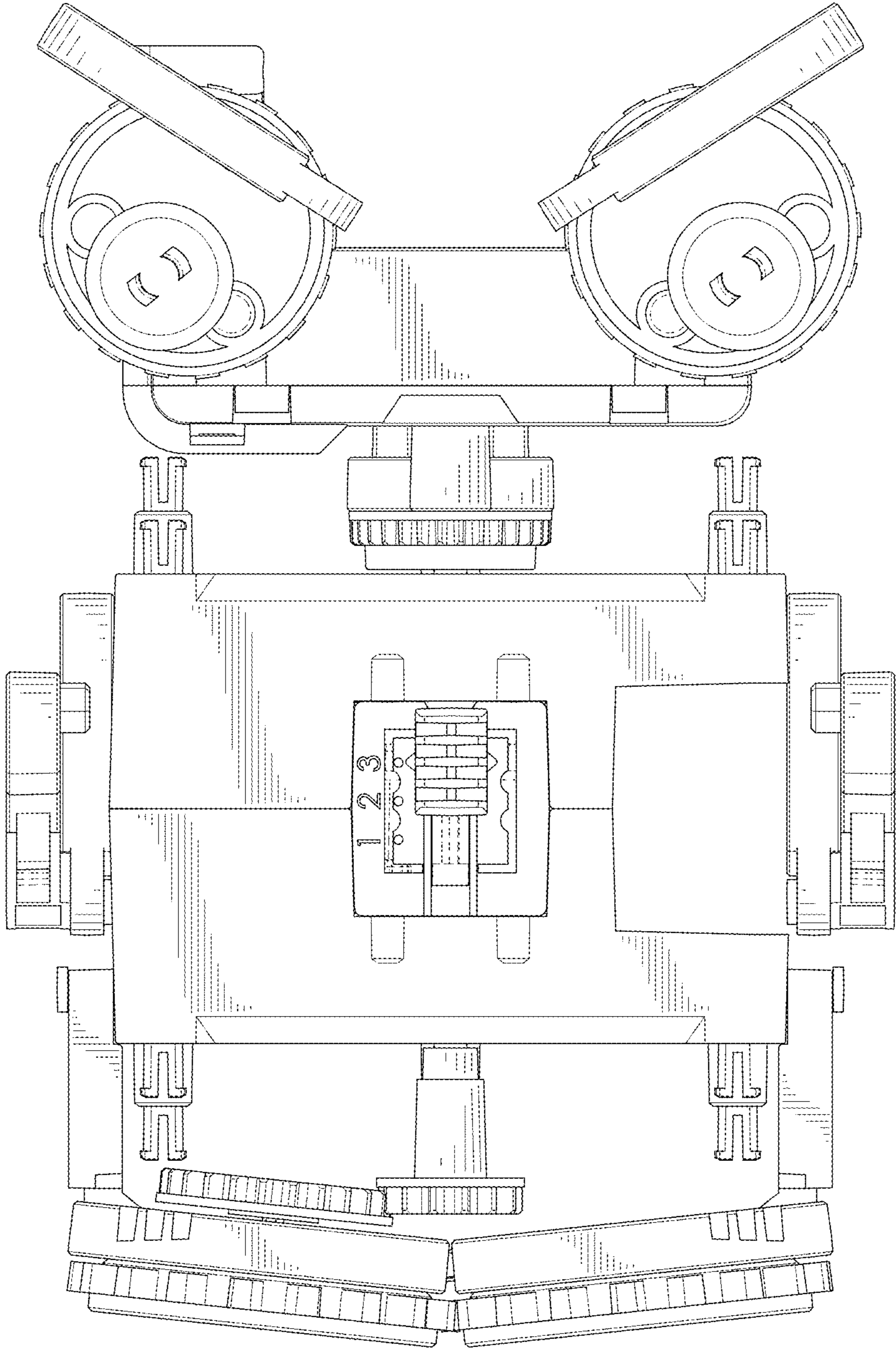


FIG.2

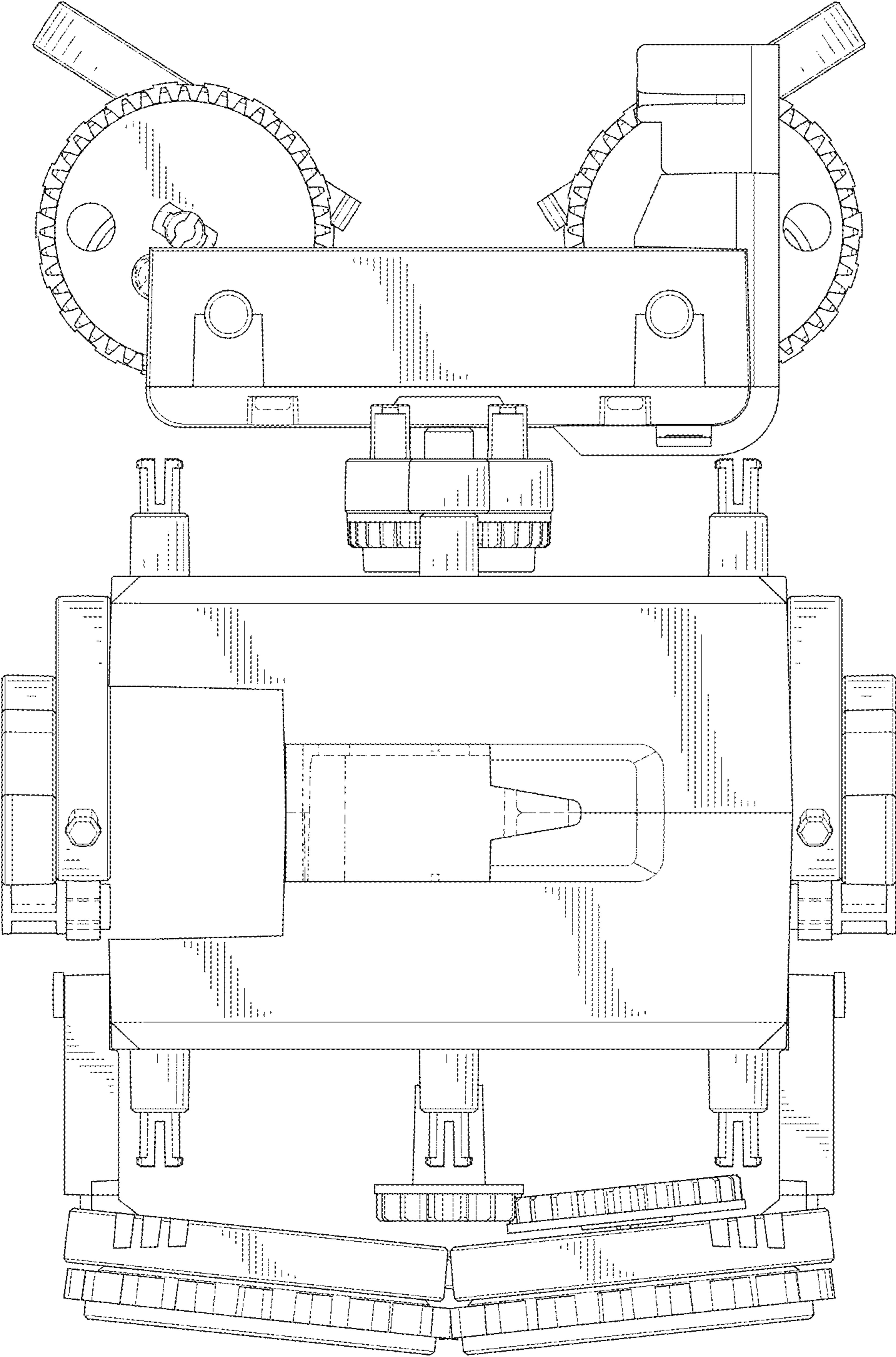


FIG.3

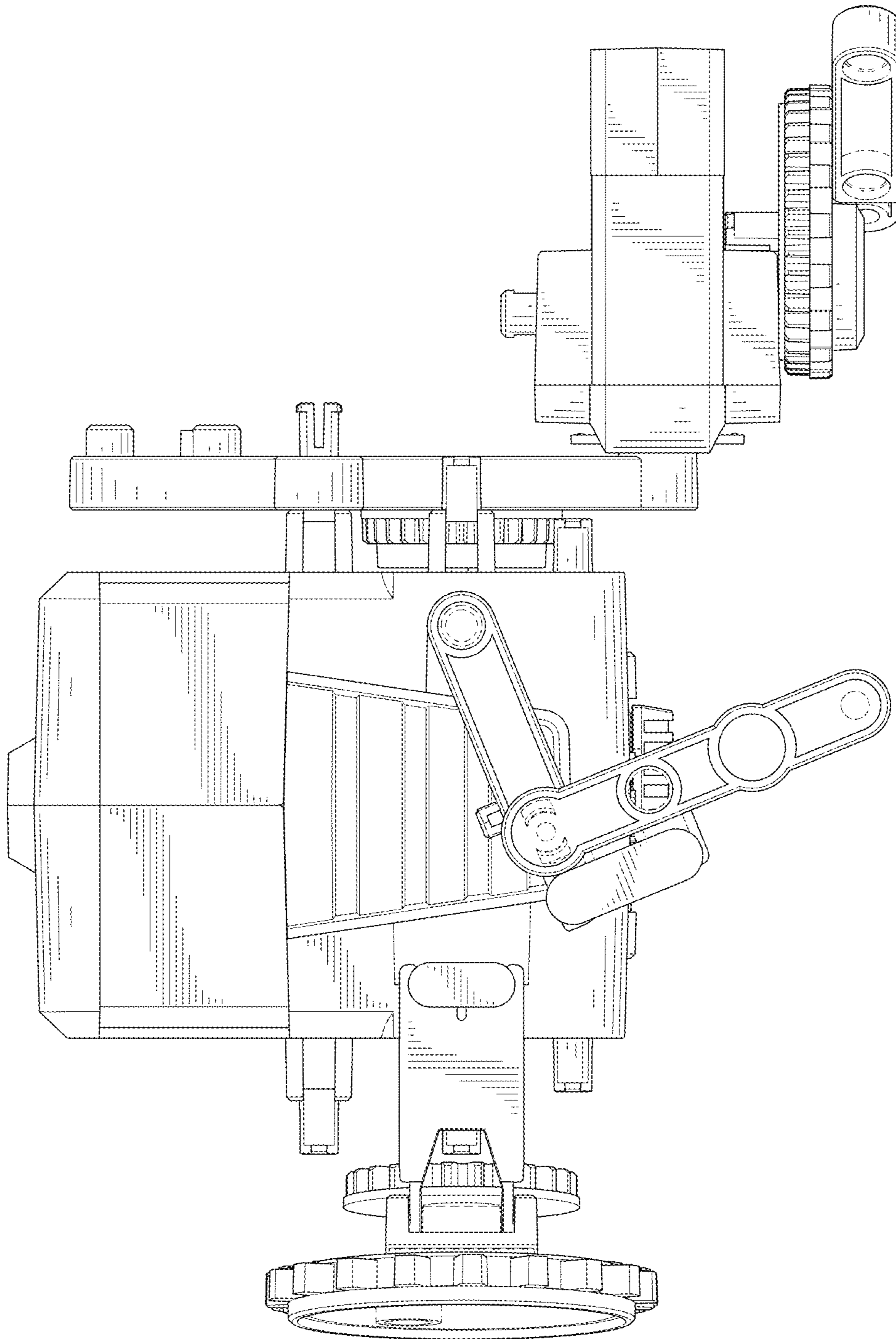


FIG.4

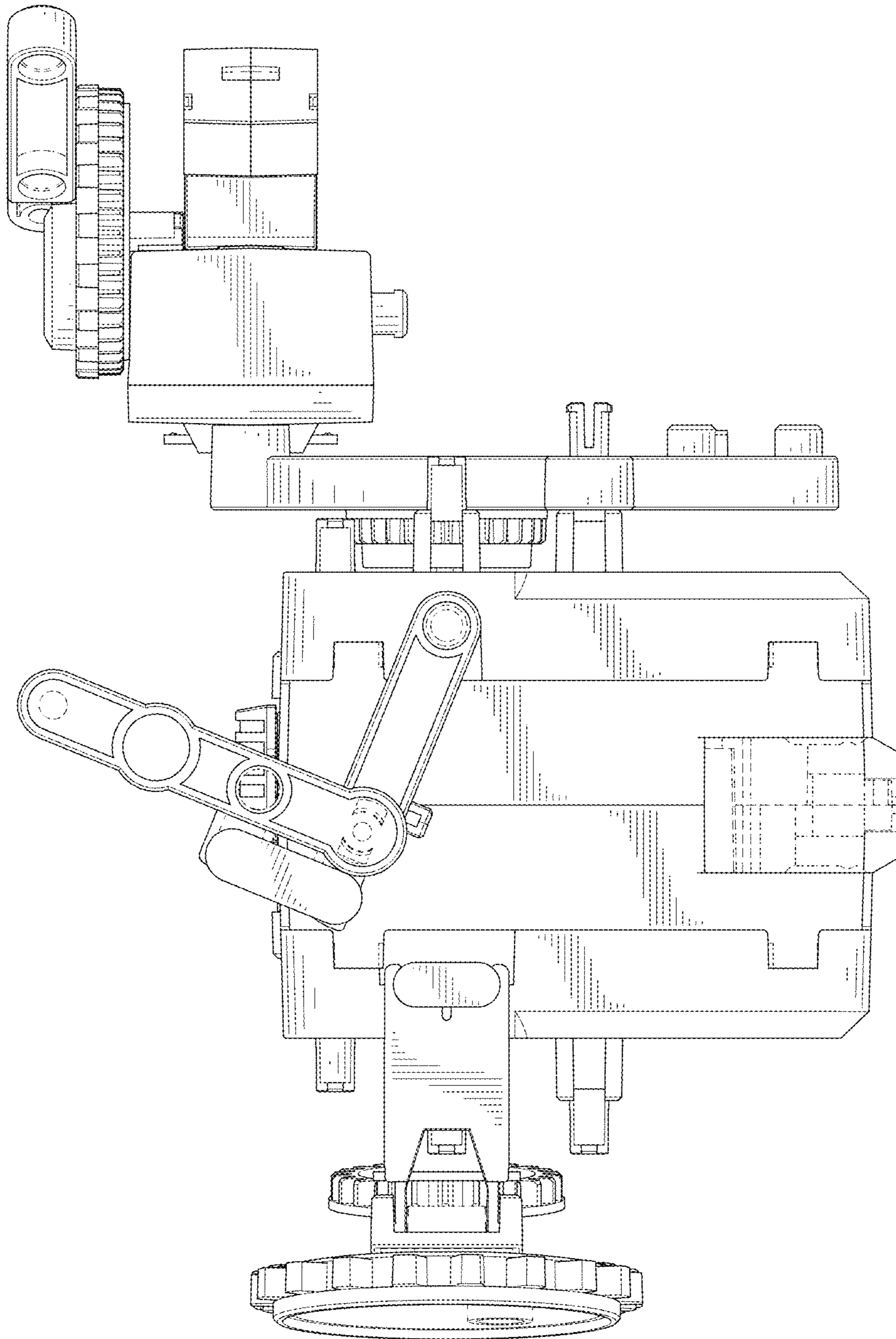


FIG.5

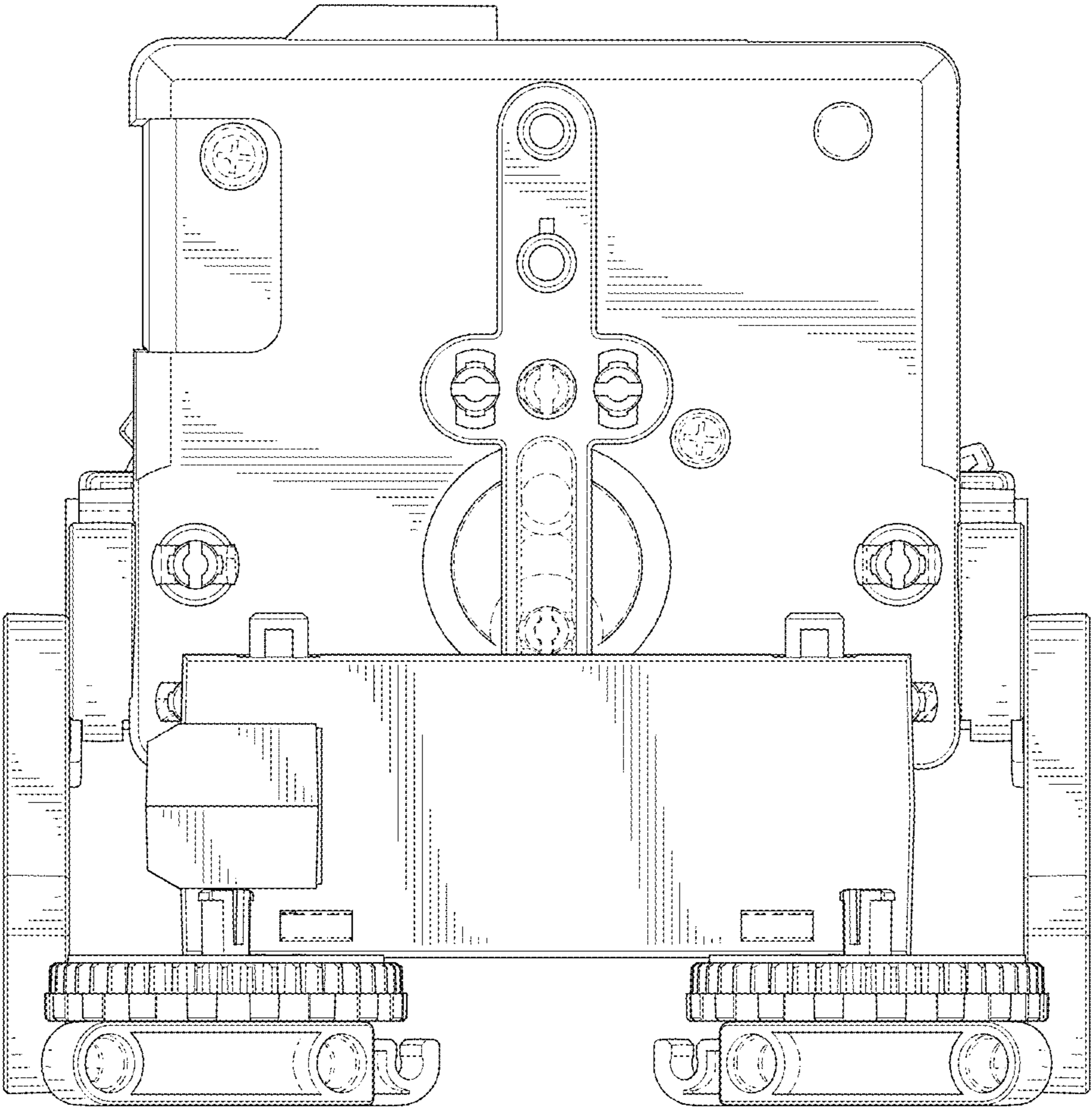


FIG.6

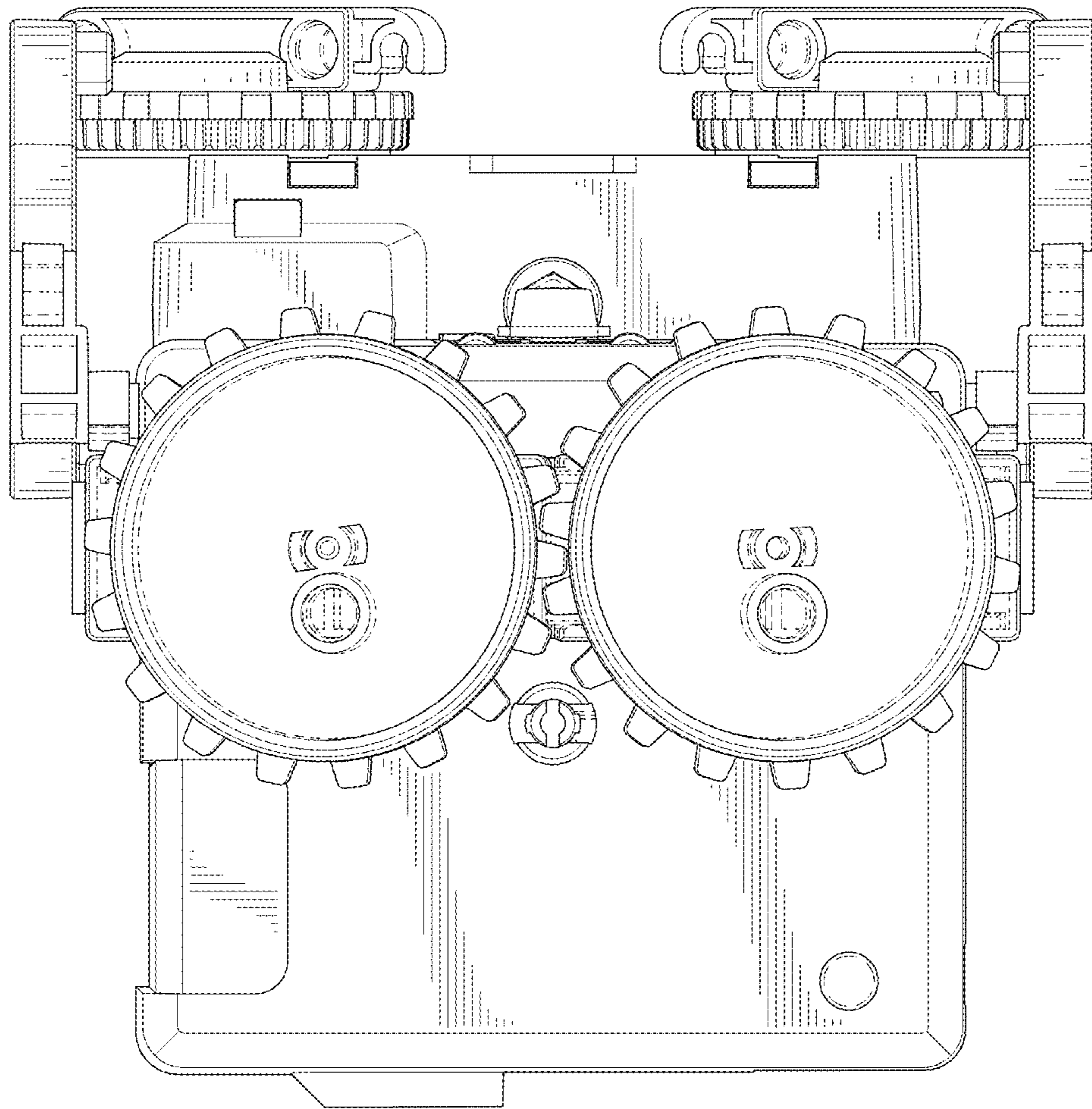


FIG.7

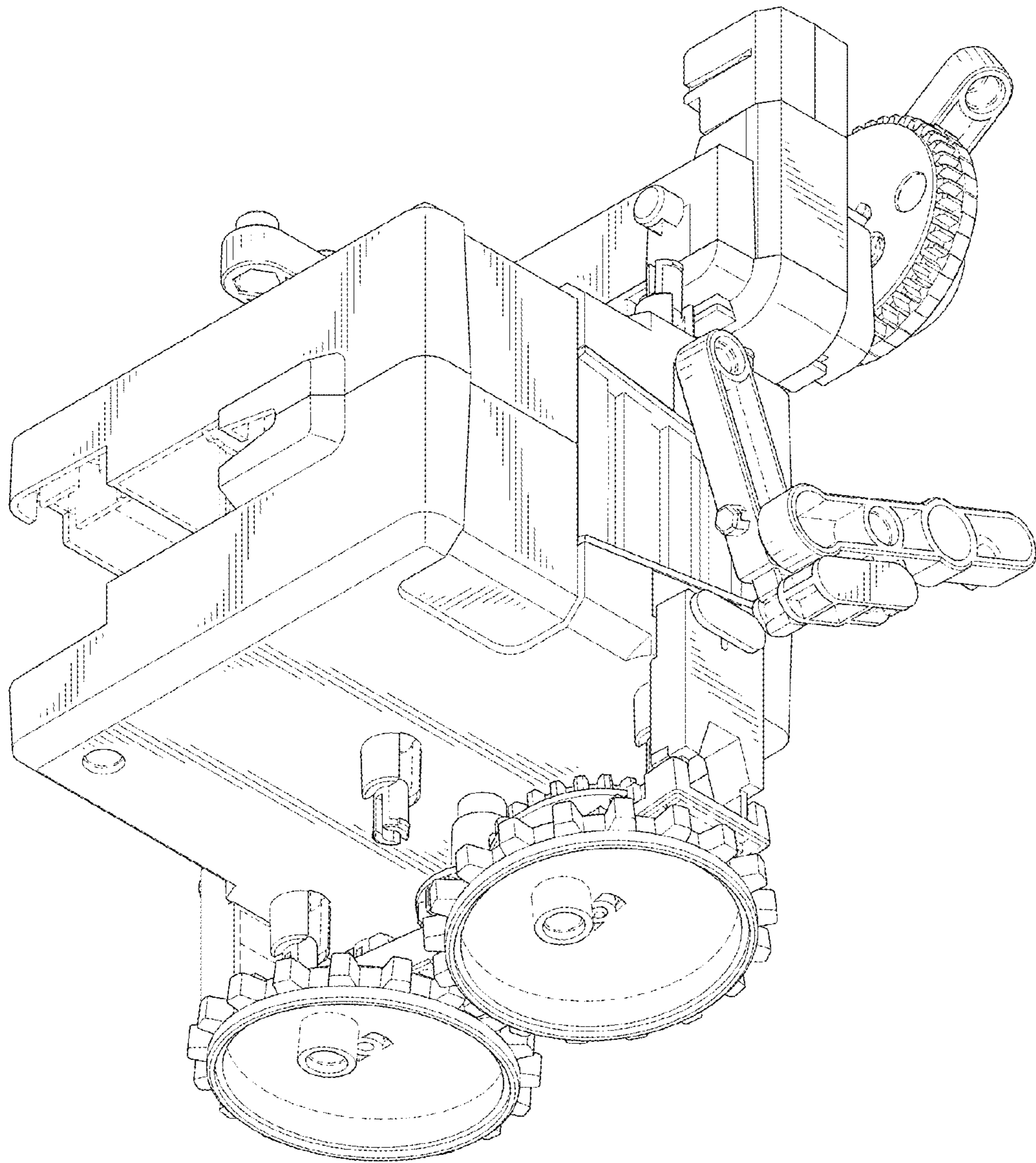


FIG.8