



US00D712983S

(12) **United States Design Patent**
Gan

(10) **Patent No.:** **US D712,983 S**

(45) **Date of Patent:** **** Sep. 9, 2014**

(54) **FIGHTING ROBOT**

(71) Applicant: **MerchSource, LLC**, Irvine, CA (US)

(72) Inventor: **Chon Seong Gan**, Foothill Ranch, CA (US)

(73) Assignee: **MerchSource, LLC**, Irvine, CA (US)

(**) Term: **14 Years**

(21) Appl. No.: **29/449,748**

(22) Filed: **Mar. 15, 2013**

(51) **LOC (10) Cl.** **21-01**

(52) **U.S. Cl.**

USPC **D21/578**; D15/199

(58) **Field of Classification Search**

USPC D21/578-583, 621, 622; 446/268-274,
446/279, 280, 285, 289-292, 294, 297-303,
446/353-355, 376-384; D15/199;
318/568.11, 568.12, 568.2

See application file for complete search history.

(56) **References Cited**

U.S. PATENT DOCUMENTS

3,235,259	A	2/1966	Glass et al.	
4,367,875	A	1/1983	Barlow et al.	
4,455,537	A	6/1984	La Prade et al.	
4,609,195	A	9/1986	Ham	
4,995,610	A	2/1991	Paoletti	
5,100,138	A	3/1992	Wilde	
5,290,185	A	3/1994	Murakami	
5,727,982	A	3/1998	Hurt	
6,280,286	B1	8/2001	Andrews	
D453,199	S *	1/2002	Sawai et al.	D21/578
6,450,497	B1	9/2002	Bailler et al.	

D534,971	S *	1/2007	Chung	D21/578
D561,213	S *	2/2008	Mitchell	D15/199
D561,214	S *	2/2008	Mitchell	D15/199
D561,215	S *	2/2008	Mitchell	D15/199
D561,795	S *	2/2008	Mitchell	D15/199
7,475,881	B2	1/2009	Blagg et al.	
D593,164	S *	5/2009	Sonoda	D21/578
D622,786	S *	8/2010	Lee	D21/578
D645,523	S *	9/2011	Wong	D21/578
D647,149	S *	10/2011	Wong	D21/578
8,057,276	B2	11/2011	O'Connor	
8,137,151	B2	3/2012	Kenney	
D662,154	S *	6/2012	Hara et al.	D21/578

* cited by examiner

Primary Examiner — Zenia Bennett

(74) *Attorney, Agent, or Firm* — The Eclipse Group LLP

(57) **CLAIM**

We claim the ornamental design for a fighting robot, as shown and described.

DESCRIPTION

FIG. 1 is a front side perspective view of a fighting robot. FIG. 2 is a back side perspective view of the fighting robot of FIG. 1. FIG. 3 is a front elevation view of the fighting robot of FIG. 1. FIG. 4 is a rear elevation view of the fighting robot of FIG. 1. FIG. 5 is a side view of the right side of the fighting robot of FIG. 1. FIG. 6 is a side view of the left side of the fighting robot of FIG. 1. FIG. 7 is a plan view of the fighting robot of FIG. 1; and, FIG. 8 is a bottom view of the fighting robot of FIG. 1. The dashed lines in various figures are for illustrative purposes only and form no part of the claimed design.

1 Claim, 7 Drawing Sheets

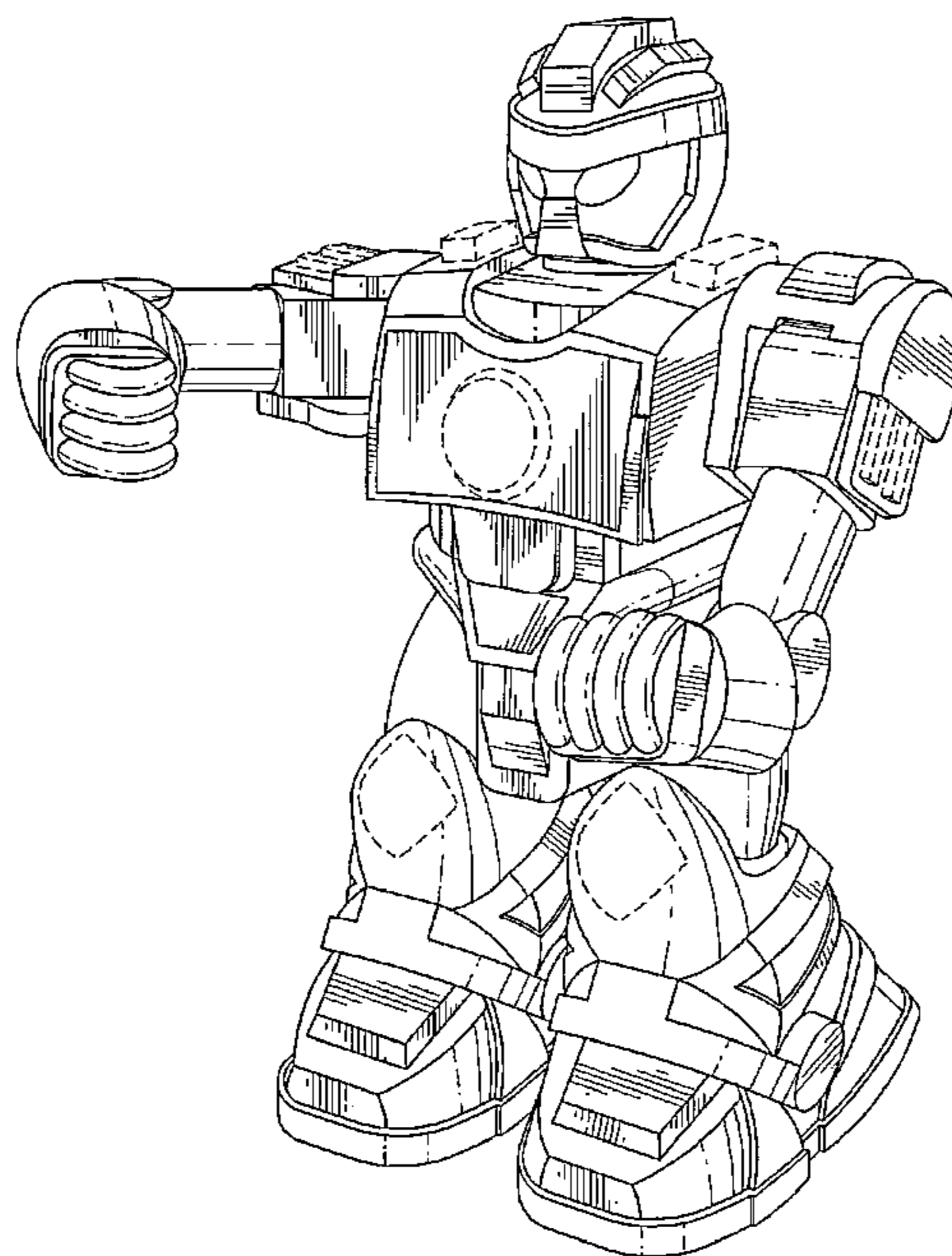


FIG. 1

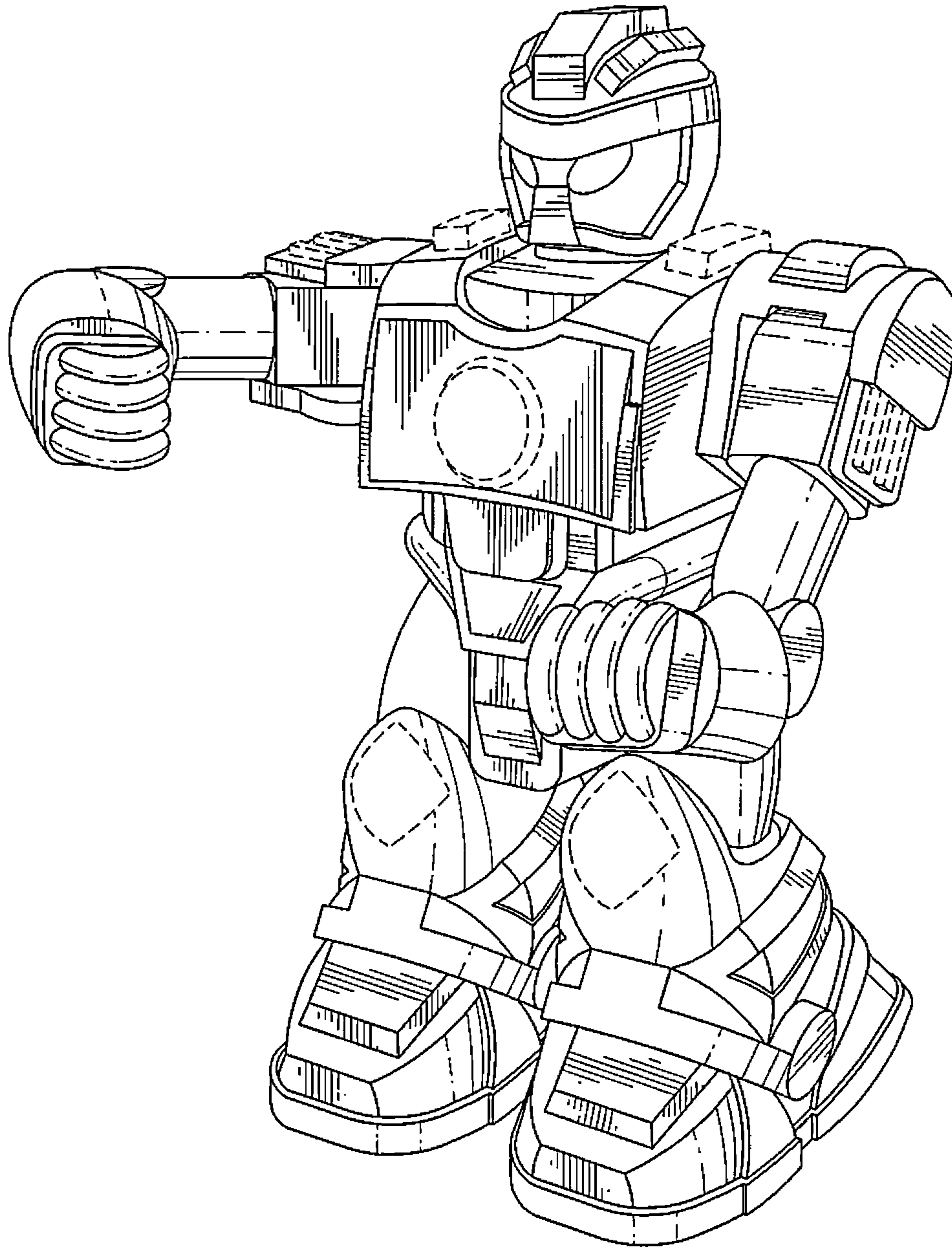


FIG. 2

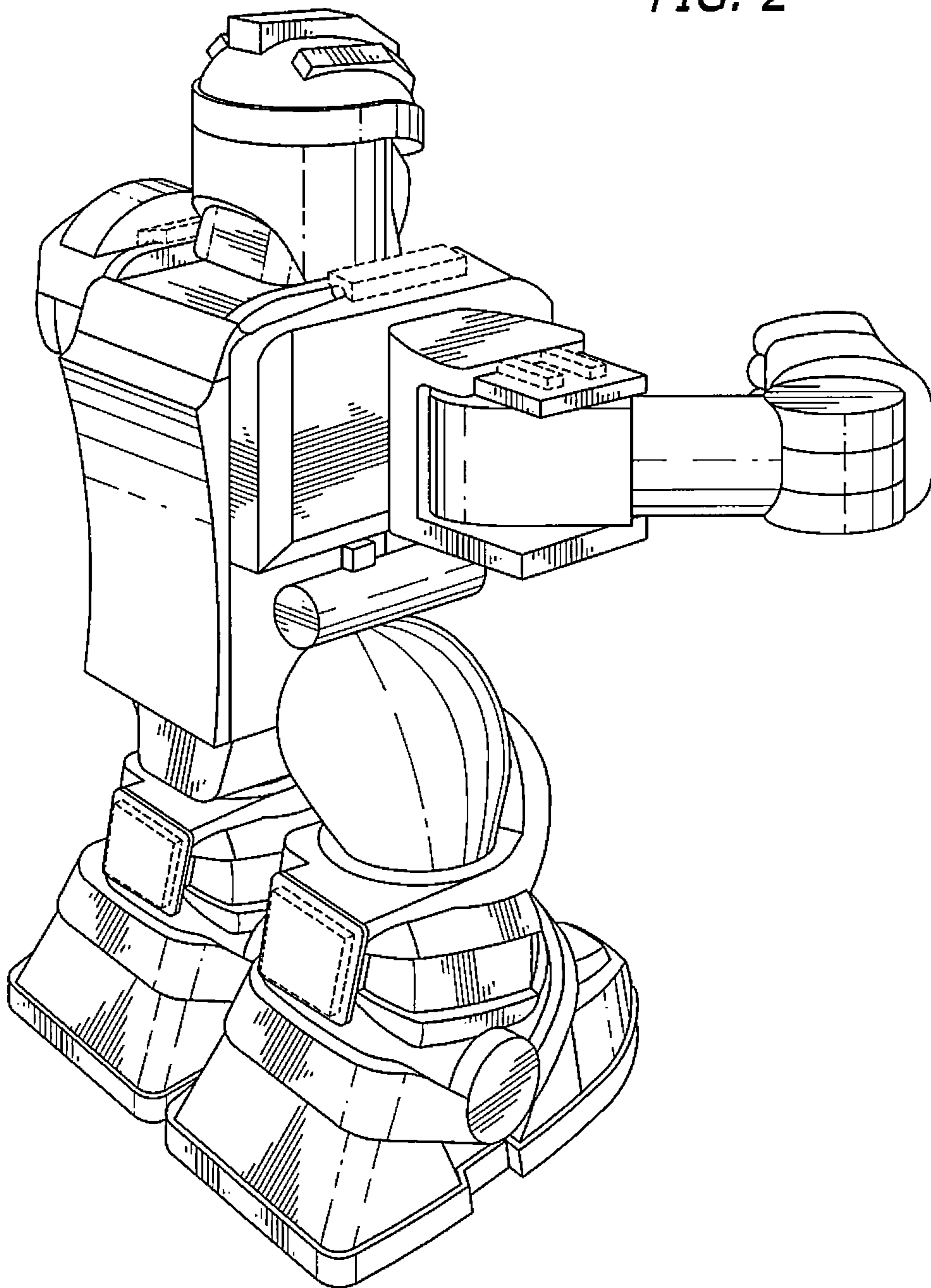


FIG. 3

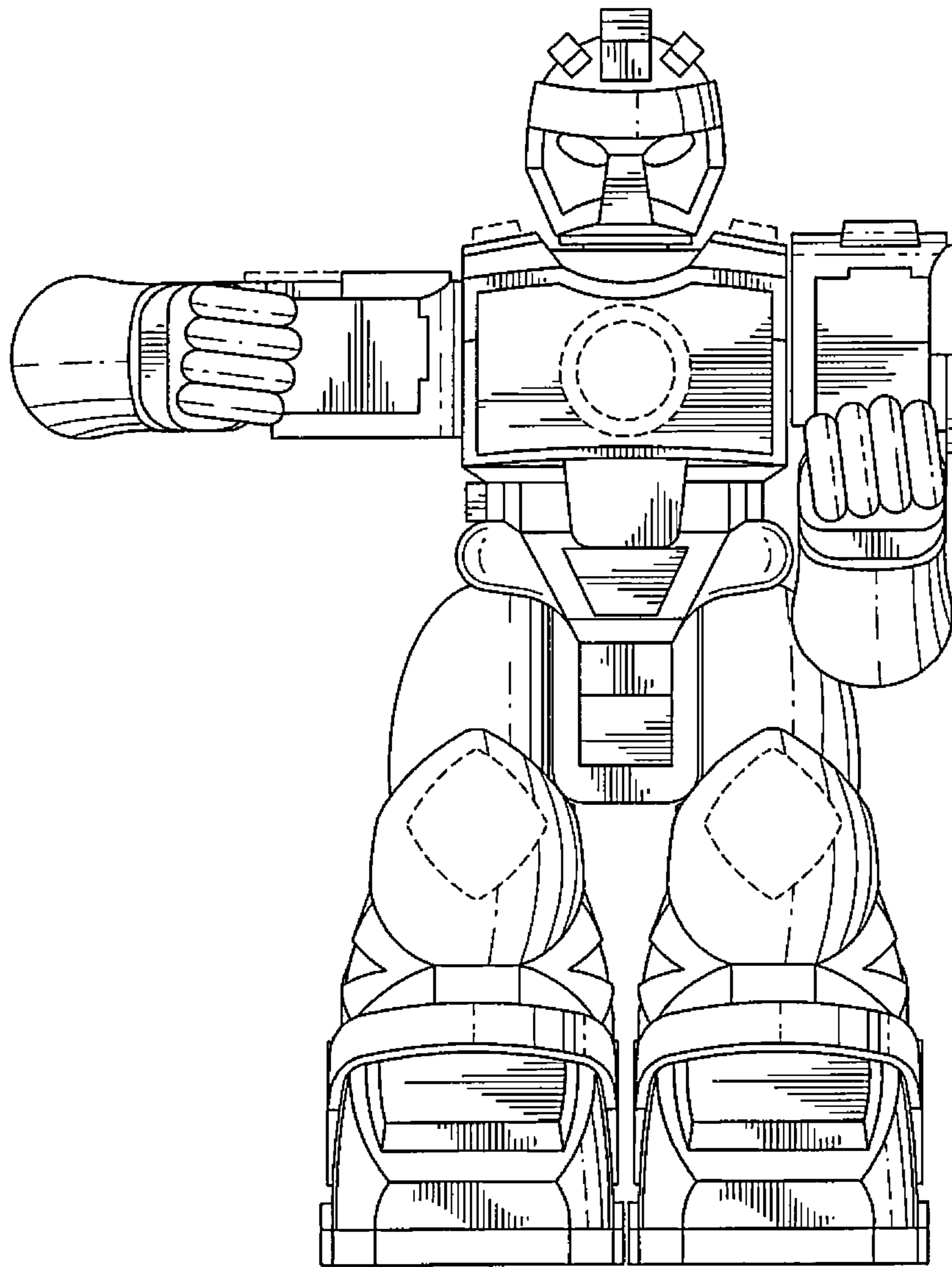


FIG. 4

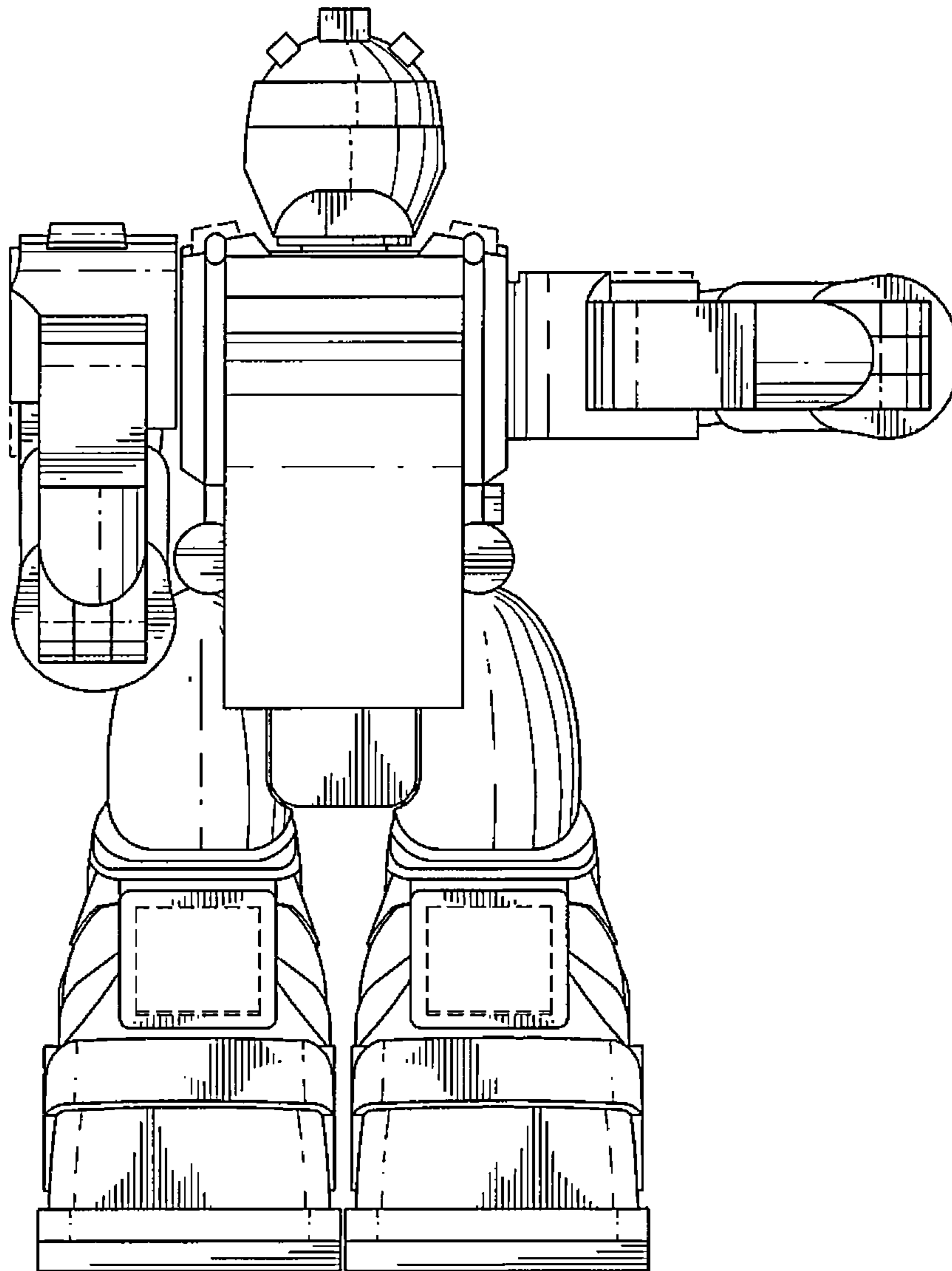


FIG. 5

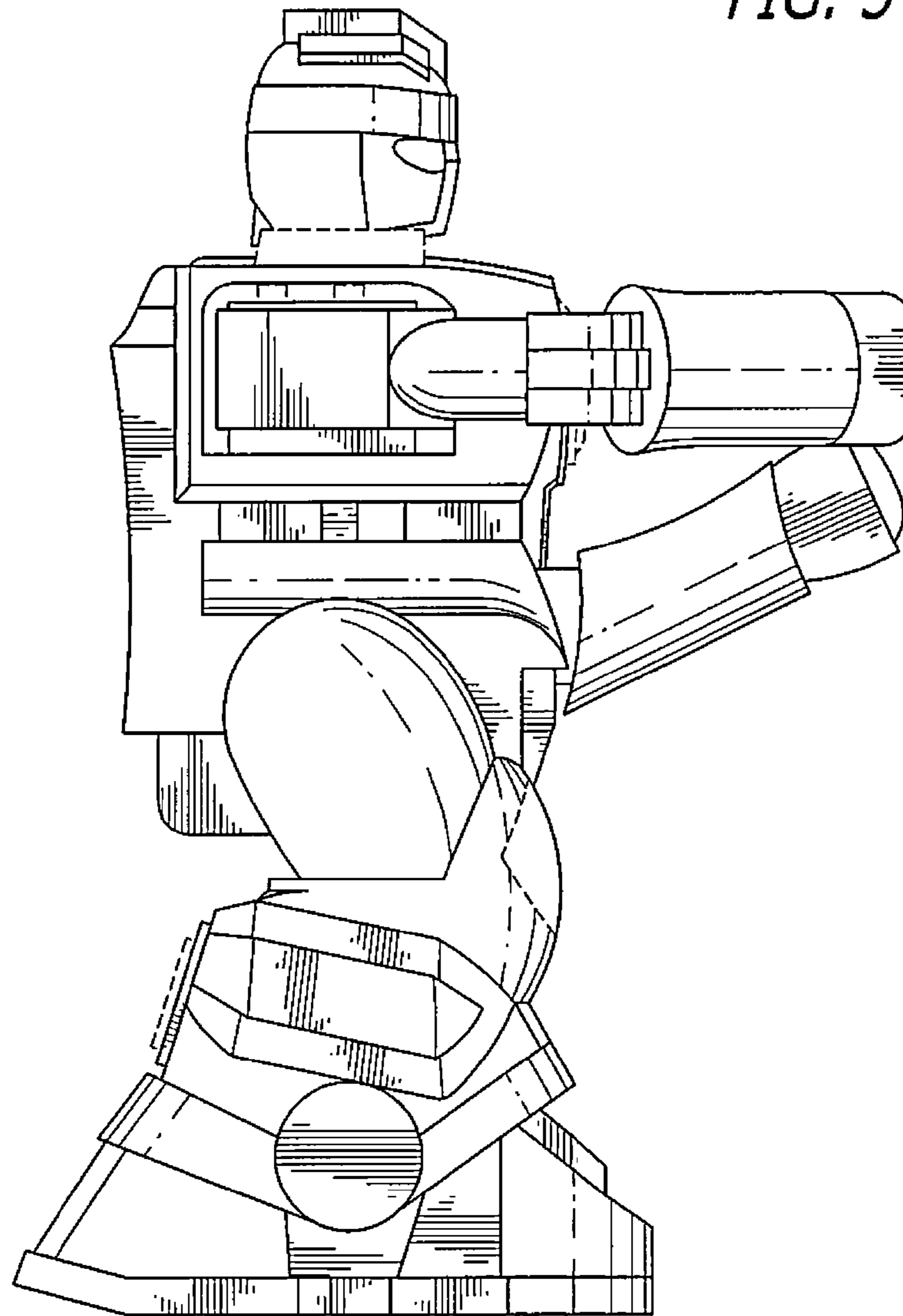


FIG. 6

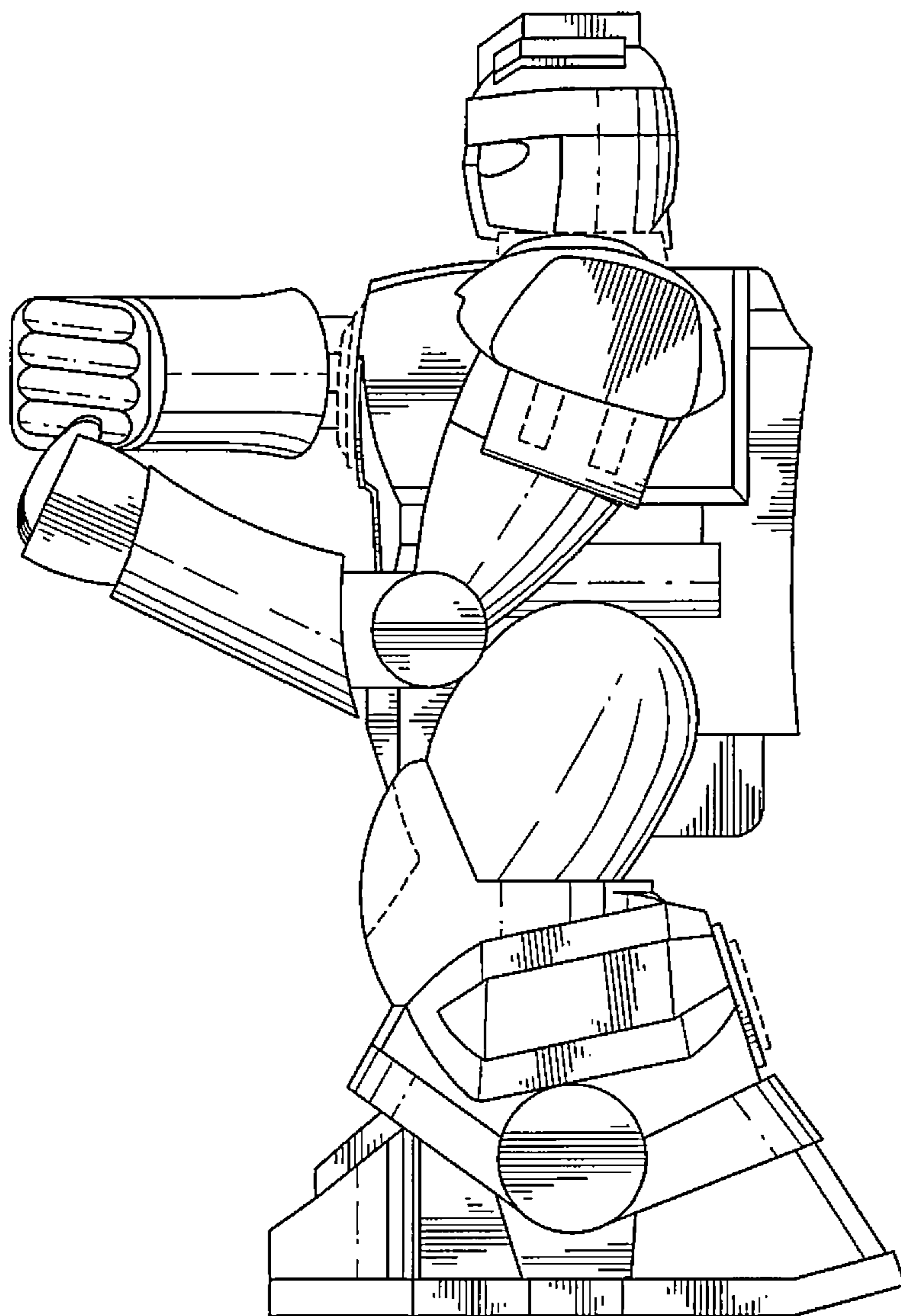


FIG. 7

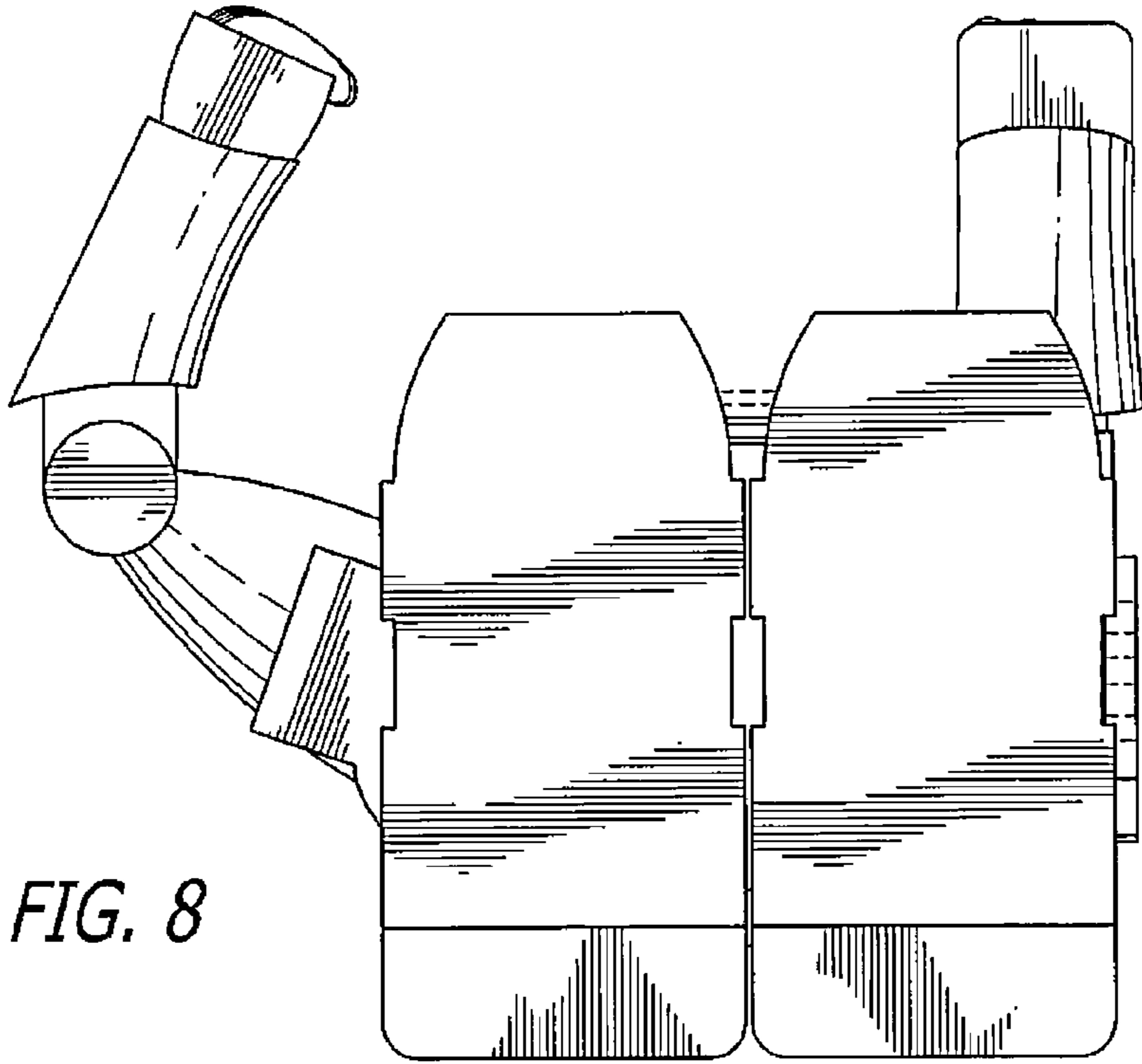
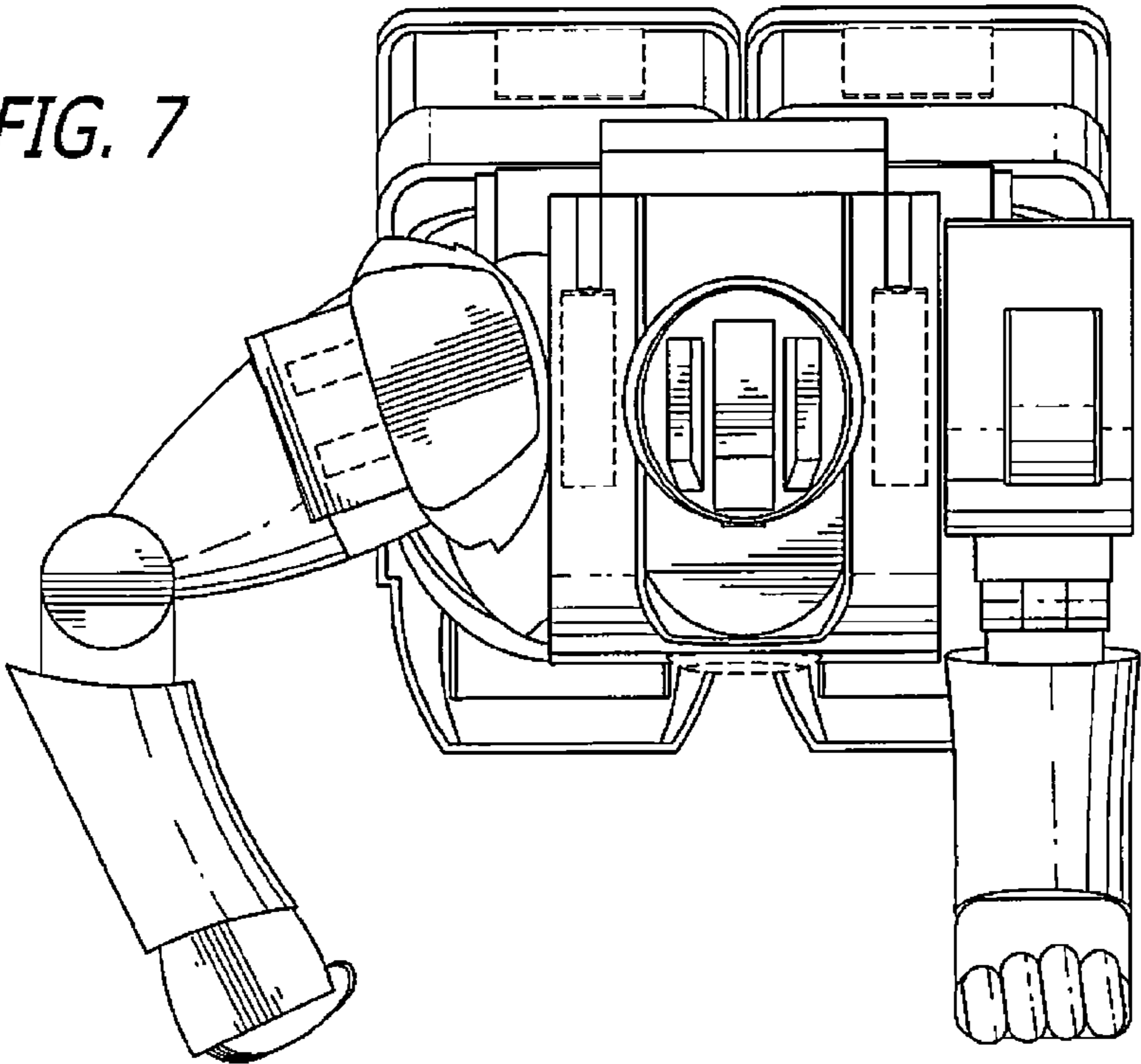


FIG. 8