



US00D712974S

(12) **United States Design Patent**
Foley

(10) **Patent No.:** **US D712,974 S**

(45) **Date of Patent:** **** Sep. 9, 2014**

(54) **CRIBBAGE BOARD**

(71) Applicant: **Jeffrey D. Foley**, Barre, VT (US)

(72) Inventor: **Jeffrey D. Foley**, Barre, VT (US)

(**) Term: **14 Years**

(21) Appl. No.: **29/455,747**

(22) Filed: **May 23, 2013**

(51) **LOC (10) Cl.** **21-01**

(52) **U.S. Cl.**
USPC **D21/343**

(58) **Field of Classification Search**
USPC D21/307-308, 334-368, 376-397;
273/236-287, 288-291

See application file for complete search history.

(56) **References Cited**

U.S. PATENT DOCUMENTS

D259,498 S *	6/1981	Kroll	D21/342
D354,920 S *	1/1995	Moradinia	D10/46.1
D376,324 S *	12/1996	McMann et al.	D10/46.1
6,082,545 A *	7/2000	Ford et al.	206/579

* cited by examiner

Primary Examiner — George D Kirschbaum

(74) *Attorney, Agent, or Firm* — QuickPatents; Kevin Prince

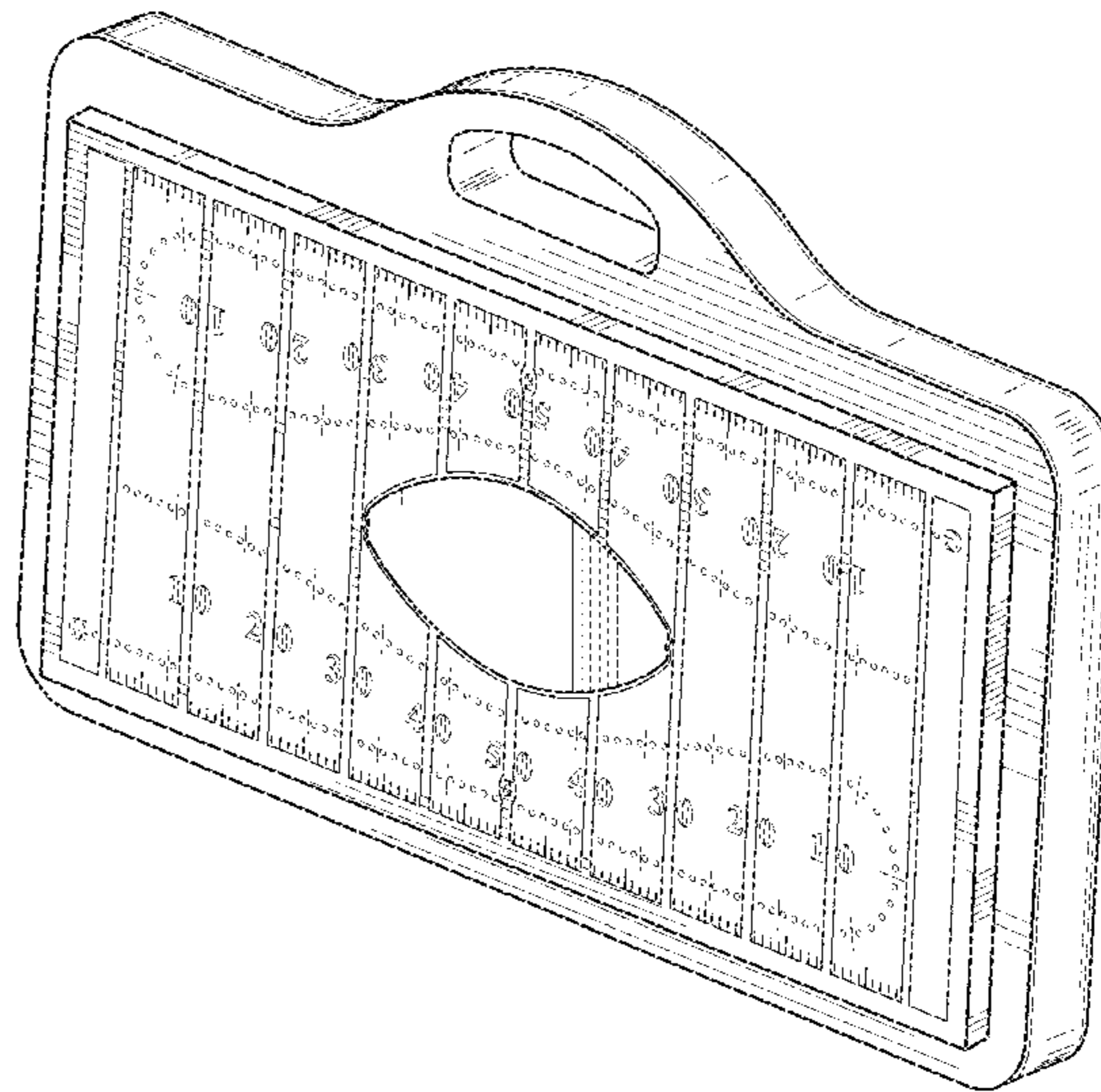
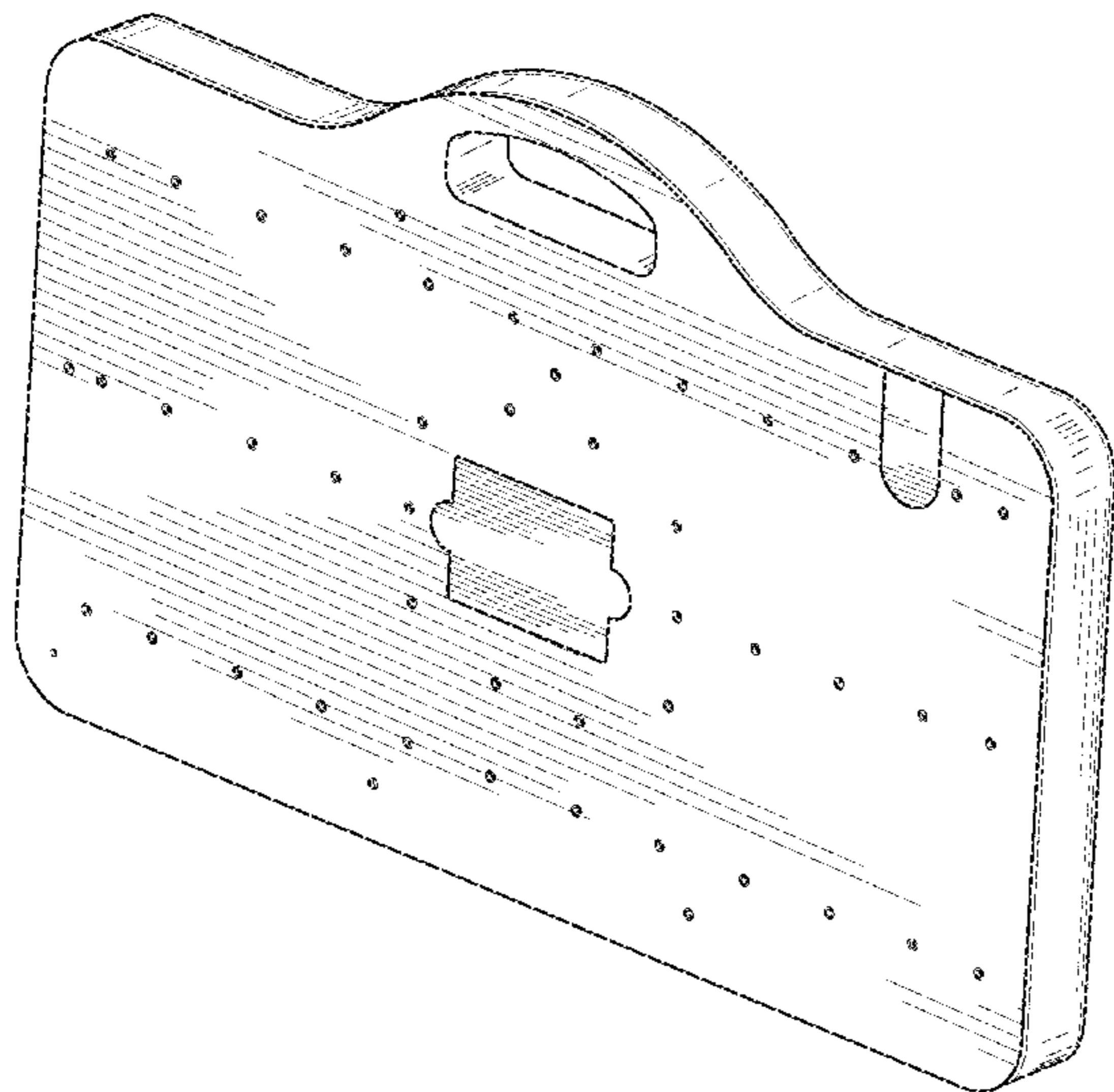
(57) **CLAIM**

I claim the ornamental design for a cribbage board, as shown and described.

DESCRIPTION

FIG. 1 is a rear perspective view of a cribbage board, showing my new design;
FIG. 2 is a front perspective view thereof;
FIG. 3 is a rear elevational view thereof;
FIG. 4 is a front elevational view thereof;
FIG. 5 is a left-side elevational view thereof, the right-side elevational view being a mirror image thereof;
FIG. 6 is a top plan view thereof; and,
FIG. 7 is a bottom plan view thereof.

1 Claim, 4 Drawing Sheets



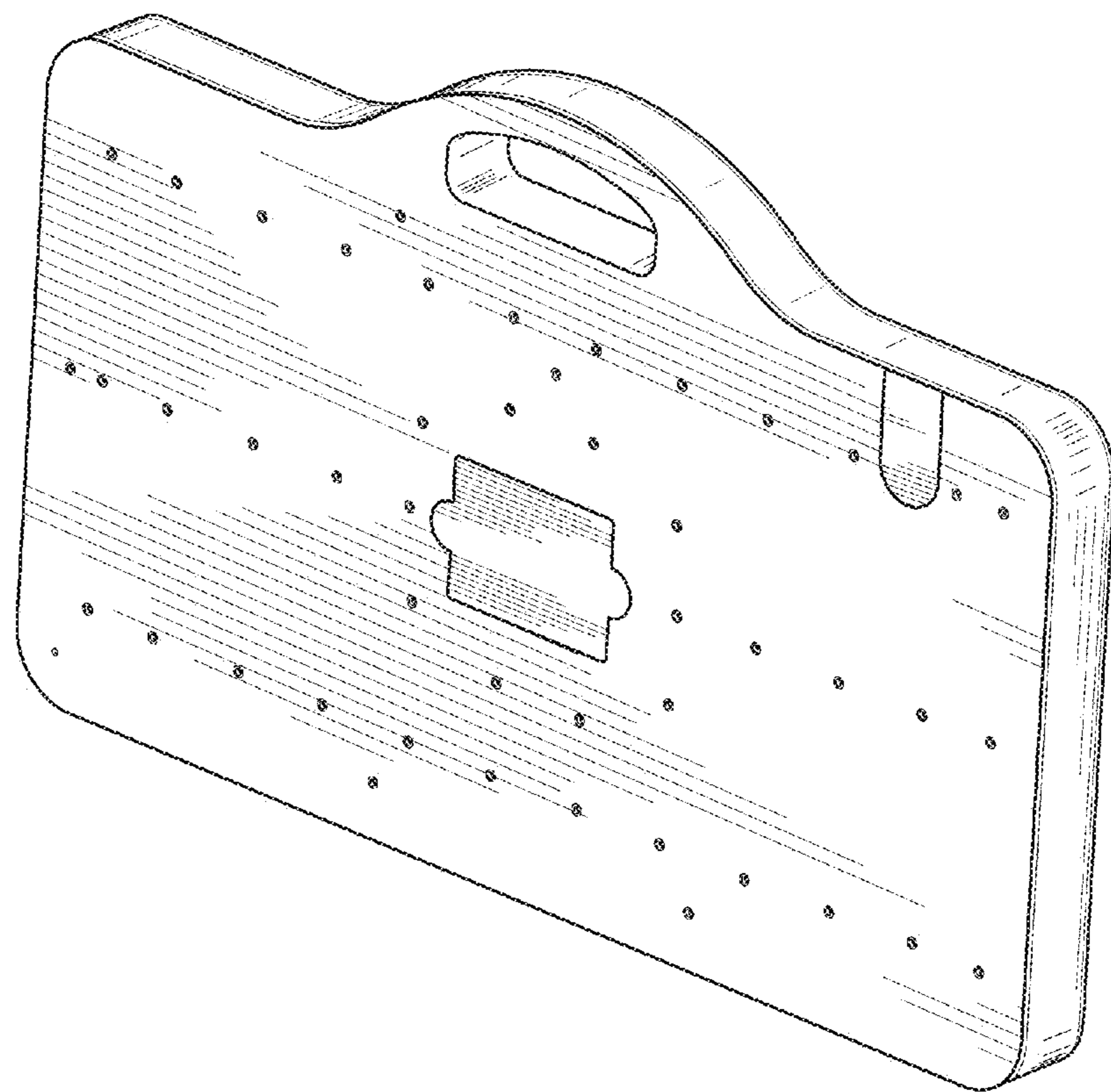


FIG. 1

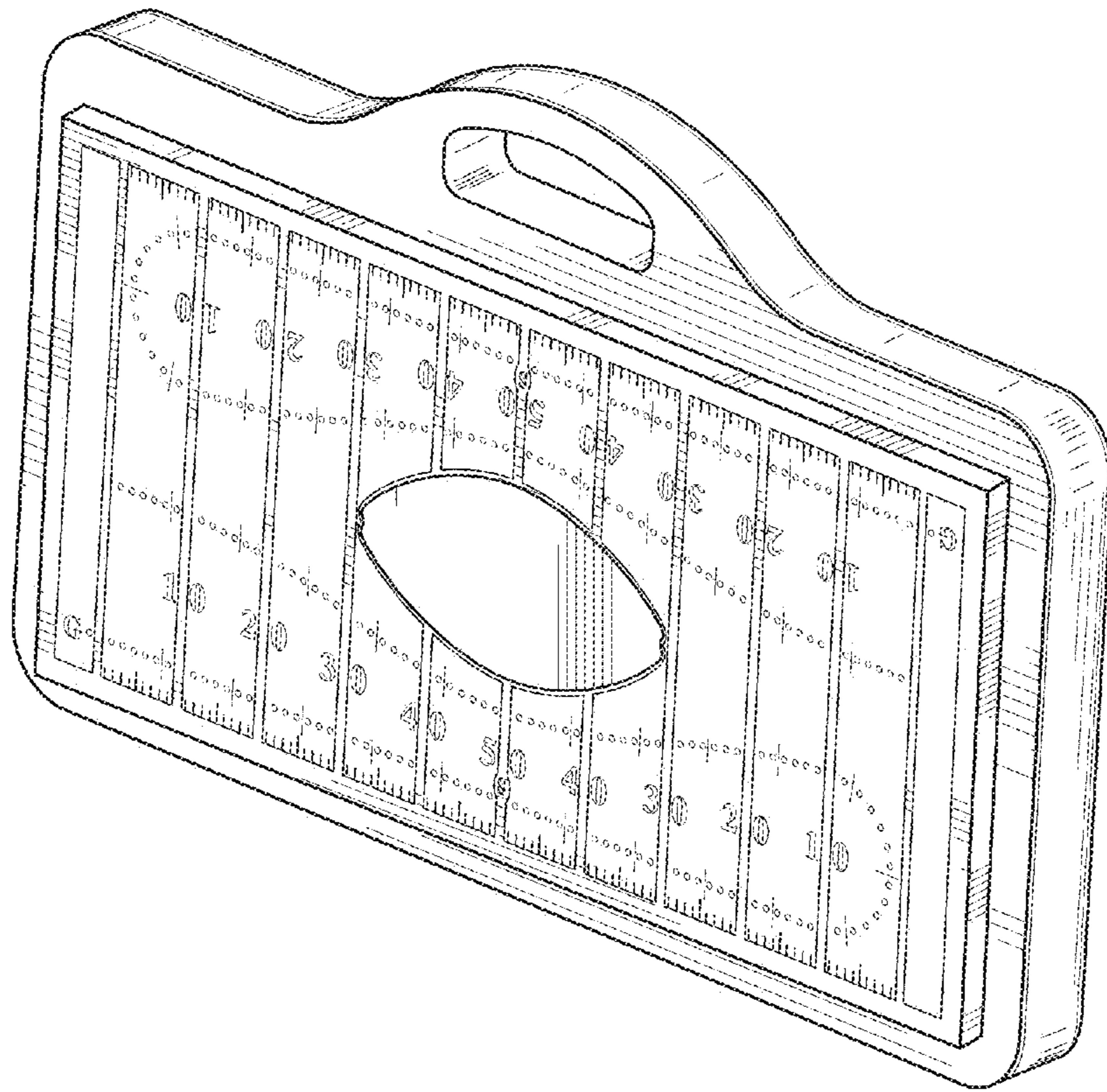


FIG. 2

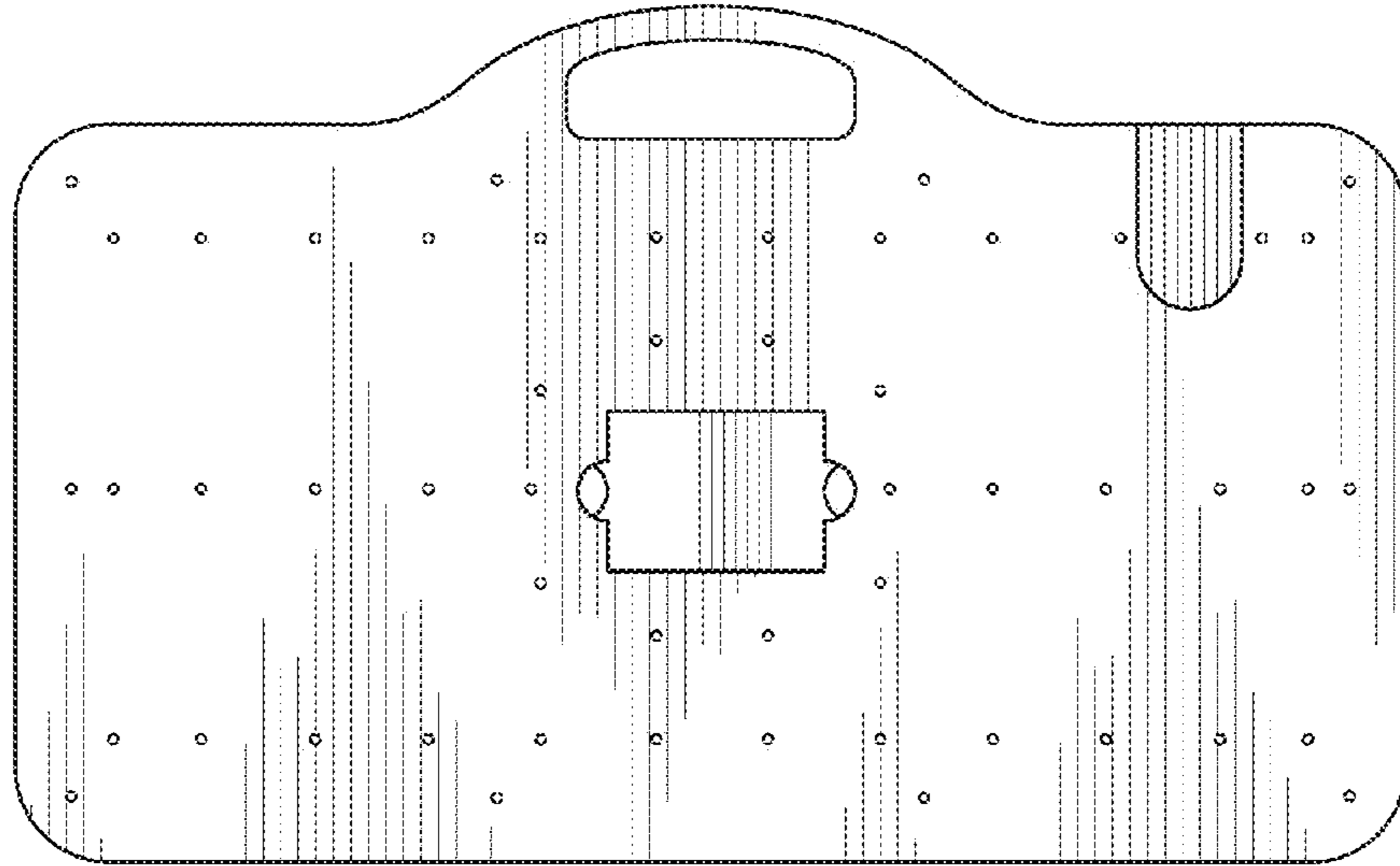


FIG. 3

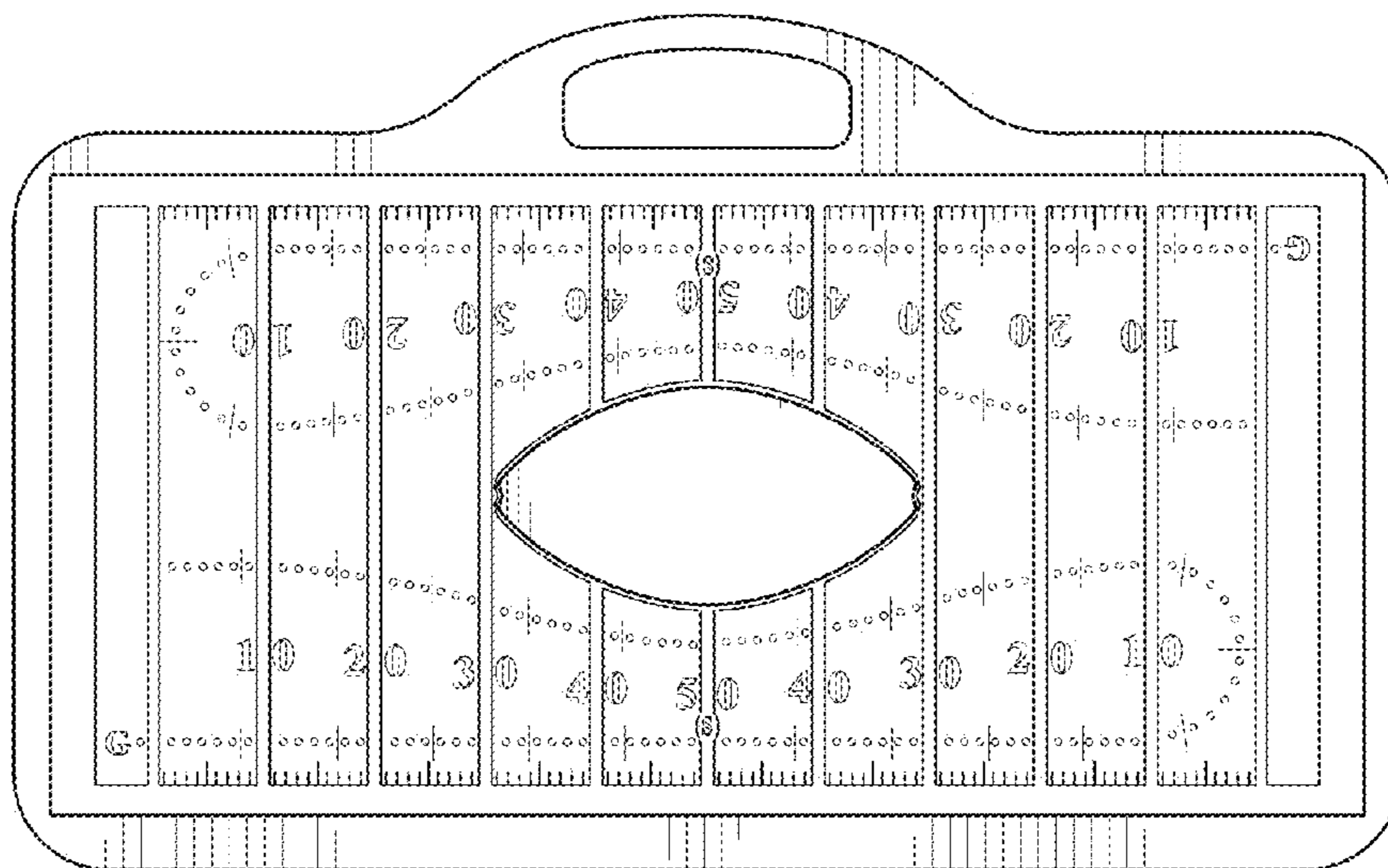


FIG. 4

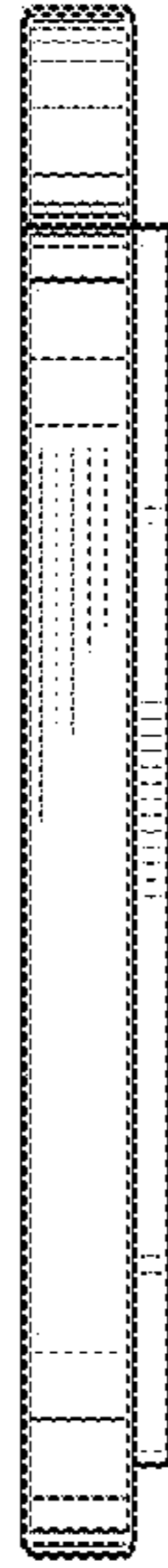


FIG. 5



FIG. 6



FIG. 7