



US00D712973S

(12) **United States Design Patent**
Sumii et al.

(10) **Patent No.:** **US D712,973 S**
(45) **Date of Patent:** **** Sep. 9, 2014**

(54) **HOUSING OF CONTROLLER FOR ELECTRONIC DEVICE**

(71) Applicant: **Sony Computer Entertainment Inc.,**
Tokyo (JP)

(72) Inventors: **Tetsu Sumii, Tokyo (JP); Ennin Huang,**
Tokyo (JP)

(73) Assignee: **Sony Computer Entertainment Inc.,**
Tokyo (JP)

(**) Term: **14 Years**

(21) Appl. No.: **29/460,700**

(22) Filed: **Jul. 12, 2013**

(30) **Foreign Application Priority Data**

Feb. 19, 2013 (JP) D2013003277

(51) **LOC (10) Cl.** **21-01**

(52) **U.S. Cl.**
USPC **D21/333; D14/401**

(58) **Field of Classification Search**
CPC A63F 13/02; A63F 13/00; A63F 11/00;
A63F 3/00; A63F 9/00; G06F 17/00; G06F
19/00; G06F 17/32; G06F 3/00
USPC D14/399-401, 412-416; D21/324, 333;
273/148 B; 463/1, 29-39, 46, 47;
345/156-161, 905

See application file for complete search history.

(56) **References Cited**

U.S. PATENT DOCUMENTS

5,551,693 A 9/1996 Goto et al.
D382,603 S 8/1997 Goto
D393,885 S 4/1998 Goto
D397,164 S 8/1998 Goto
D398,032 S 9/1998 Goto
D402,317 S 12/1998 Goto

D405,835 S 2/1999 Goto
D416,588 S 11/1999 Goto
D430,222 S 8/2000 Goto
D430,223 S 8/2000 Goto
D431,051 S 9/2000 Goto
D439,580 S 3/2001 Goto
D441,369 S 5/2001 Goto
D442,180 S 5/2001 Goto
D443,617 S 6/2001 Goto
D443,618 S 6/2001 Goto
D443,877 S 6/2001 Goto
D444,469 S 7/2001 Goto
D444,470 S 7/2001 Goto
6,342,009 B1 * 1/2002 Soma 463/38
6,743,100 B1 * 6/2004 Neiser 463/37
6,923,443 B1 * 8/2005 Hughes, IV 273/148 B
D521,567 S * 5/2006 Svendsen et al. D21/333

(Continued)

Primary Examiner — Prabhakar Deshmukh

(74) *Attorney, Agent, or Firm* — Rader, Fishman & Grauer
PLLC

(57) **CLAIM**

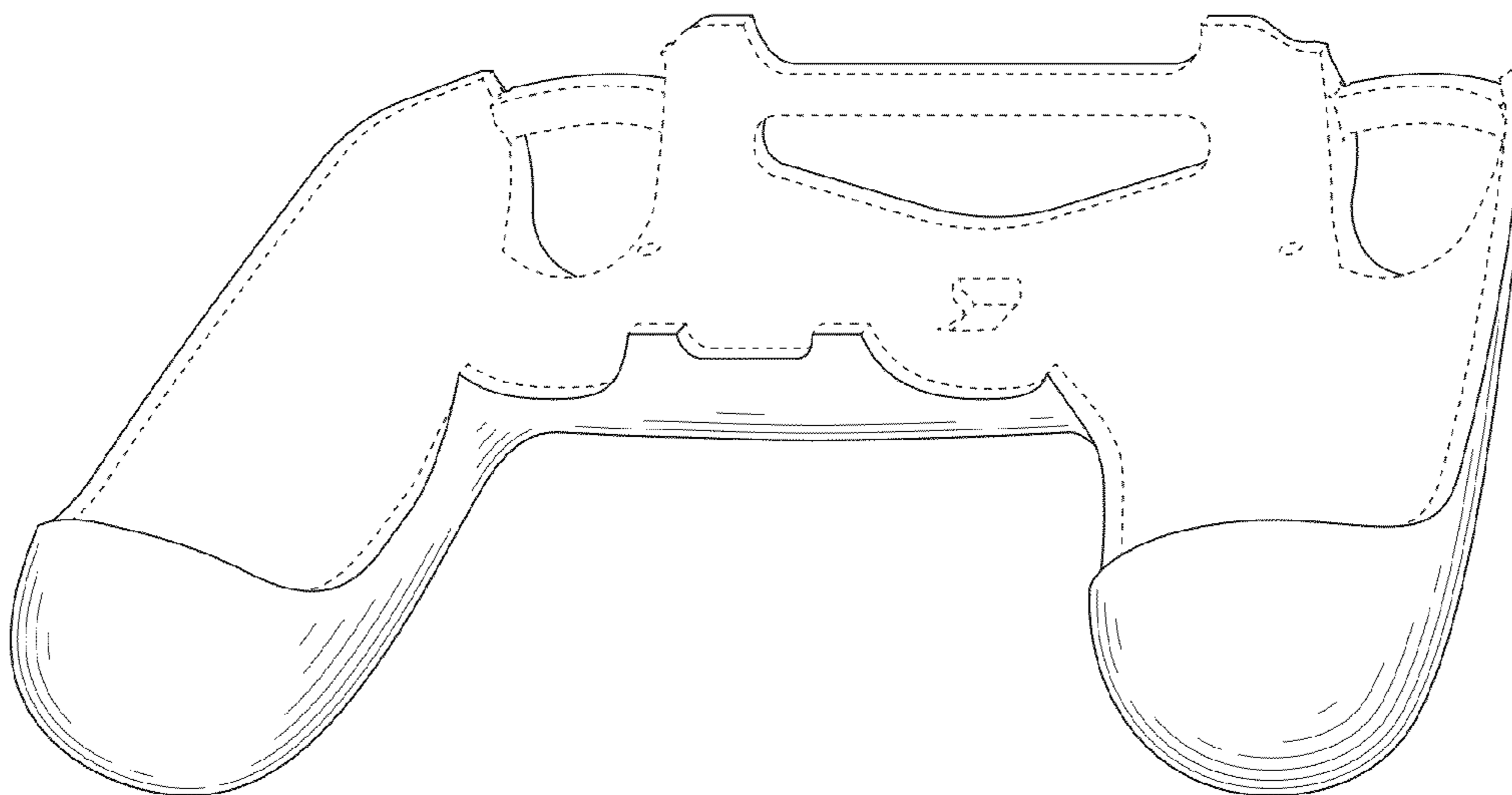
The ornamental design for the housing of controller for elec-
tronic device, as shown and described.

DESCRIPTION

FIG. 1 is a front, bottom, right perspective view of the housing
of controller for electronic device showing our new design;
FIG. 2 is a rear, top, left perspective view thereof;
FIG. 3 is a rear, bottom, left perspective view thereof;
FIG. 4 is a front elevational view thereof;
FIG. 5 is a rear elevational view thereof;
FIG. 6 is a left side elevational view thereof;
FIG. 7 is a right side elevational view thereof;
FIG. 8 is a top plan view thereof; and,
FIG. 9 is a bottom plan view thereof.

The broken lines indicate the unclaimed portions of the con-
troller for electronic device and form no part of the claimed
design.

1 Claim, 5 Drawing Sheets



(56)

References Cited

U.S. PATENT DOCUMENTS

7,063,321 B2 *	6/2006	Hussaini et al.	273/148 B	7,837,559 B2 *	11/2010	Kidakarn	463/37
D561,190 S	2/2008	Goto		D638,017 S *	5/2011	Ortiz	D14/401
D587,717 S *	3/2009	Harris	D14/454	D640,697 S *	6/2011	Lovoi et al.	D14/401
7,762,553 B2 *	7/2010	Harris	273/148 B	D666,250 S *	8/2012	Fulghum et al.	D21/333
				D669,078 S *	10/2012	Lovoi et al.	D14/401

* cited by examiner

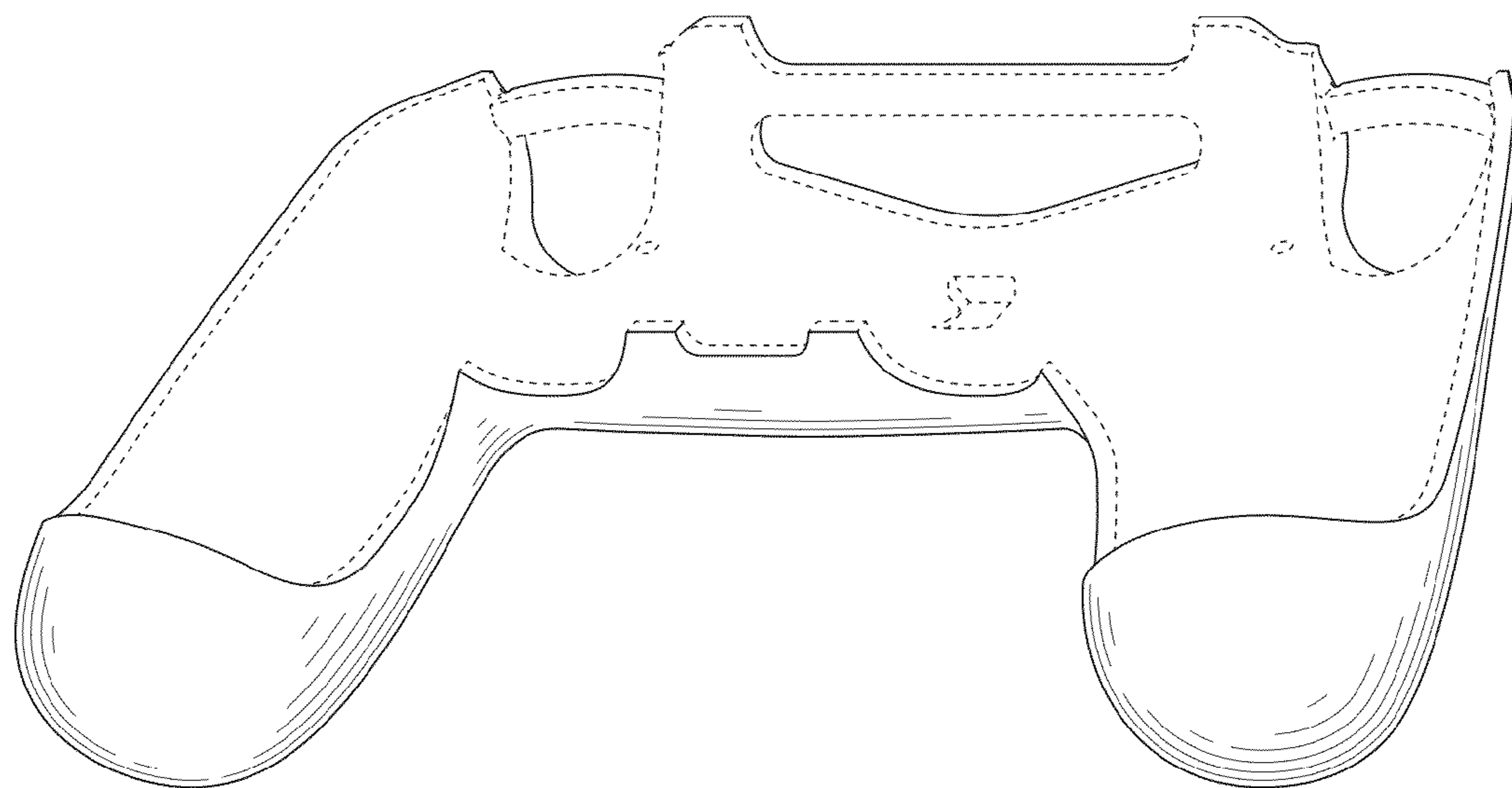


FIG. 1

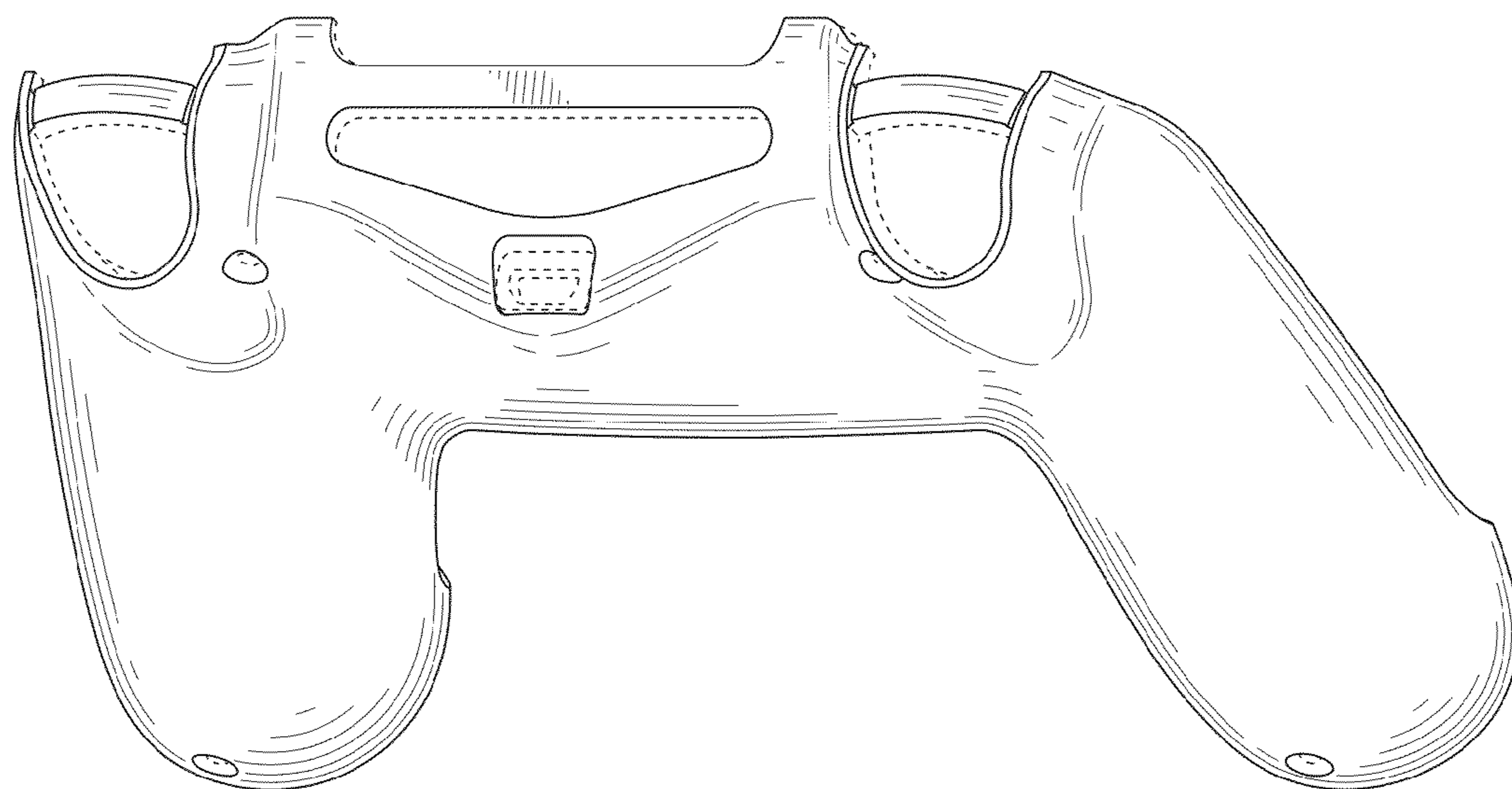


FIG. 2

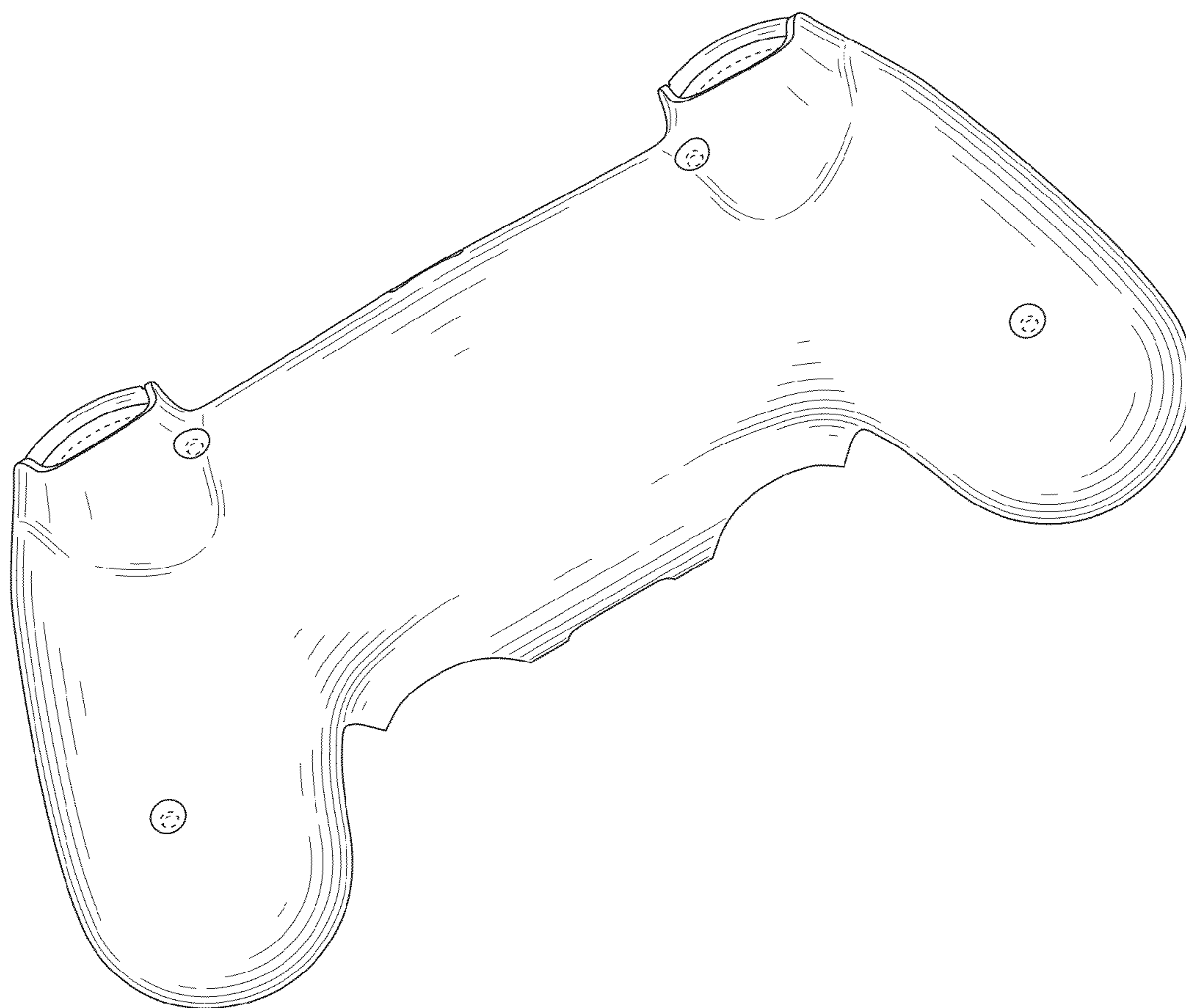


FIG. 3

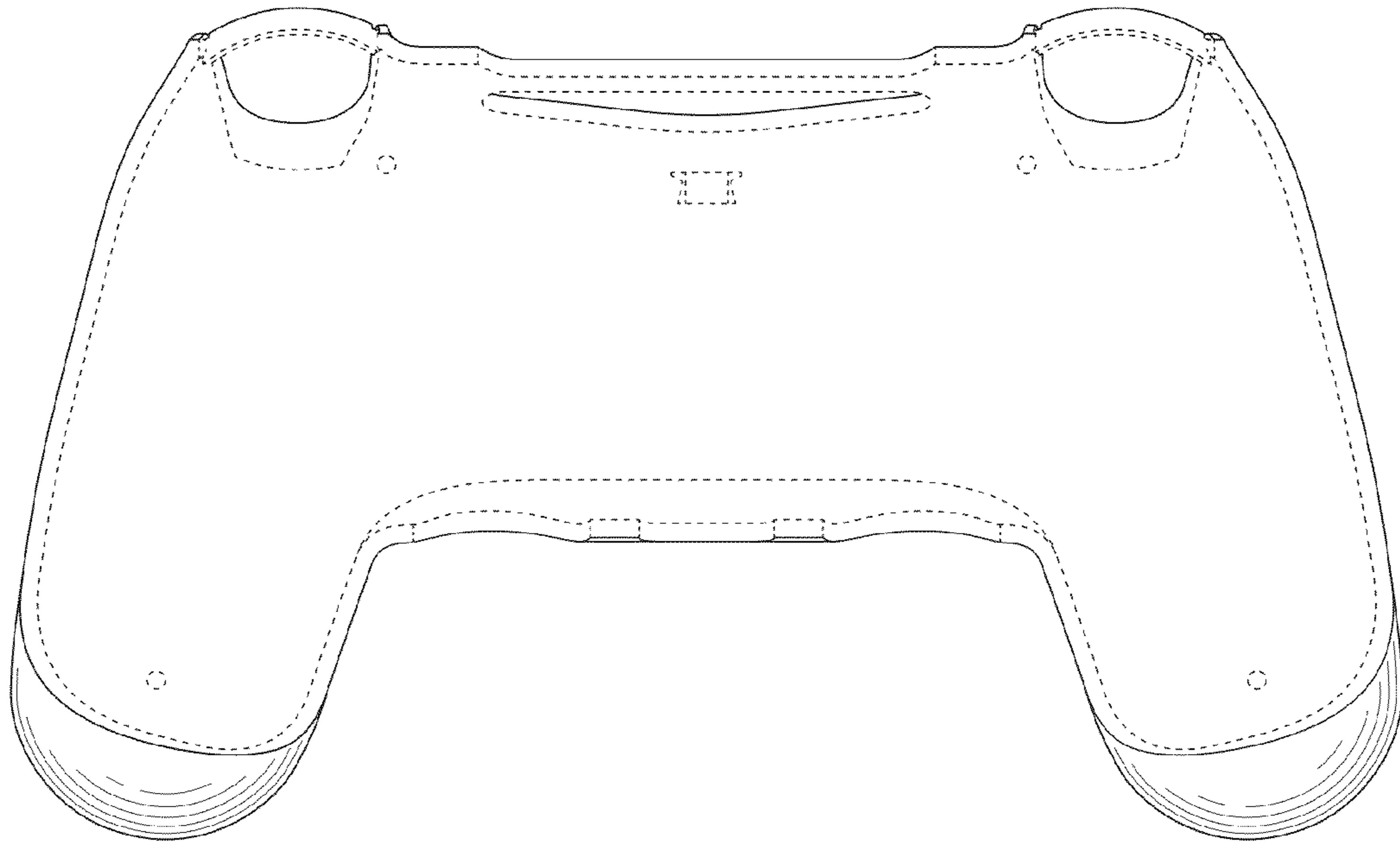


FIG. 4

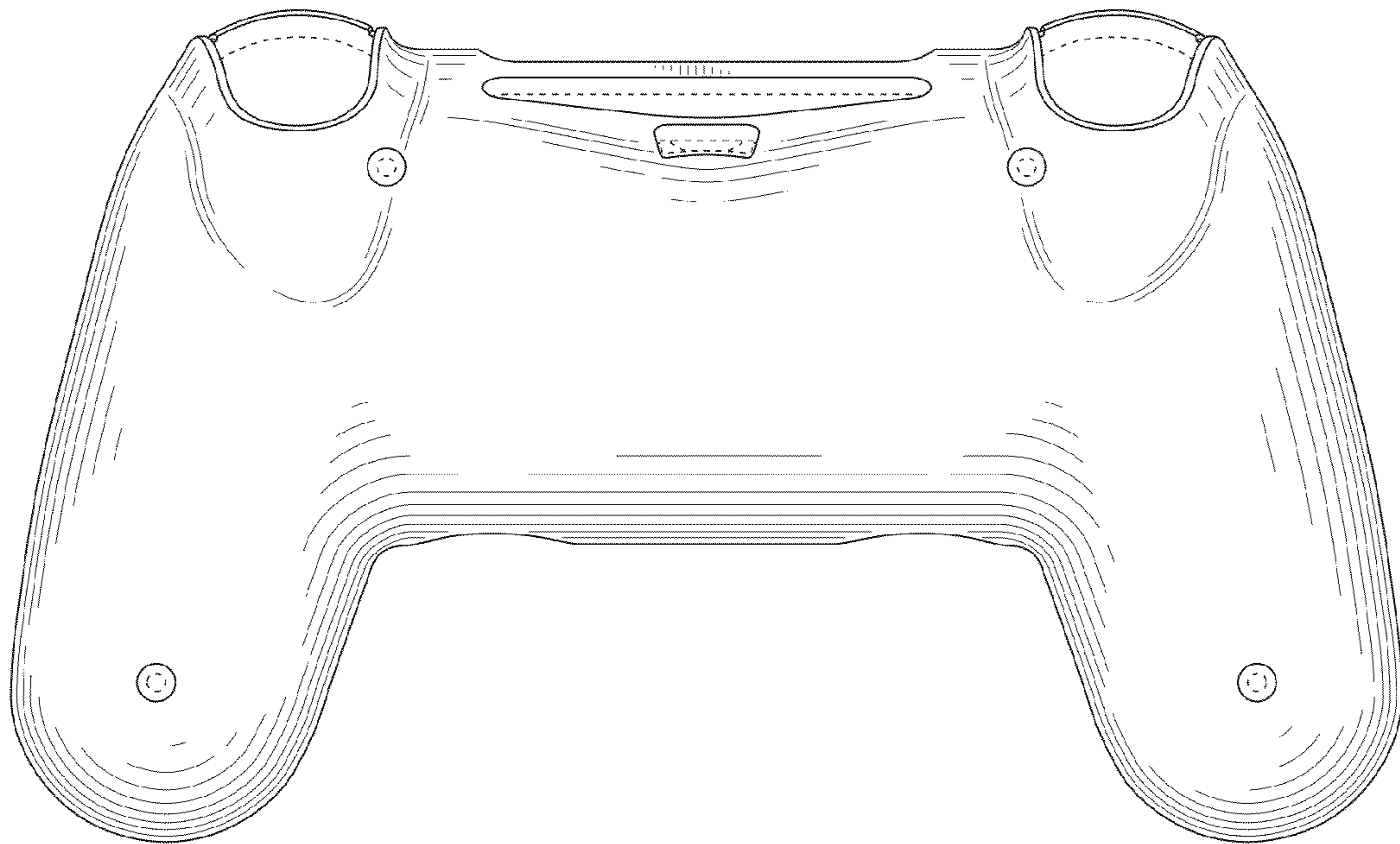


FIG. 5

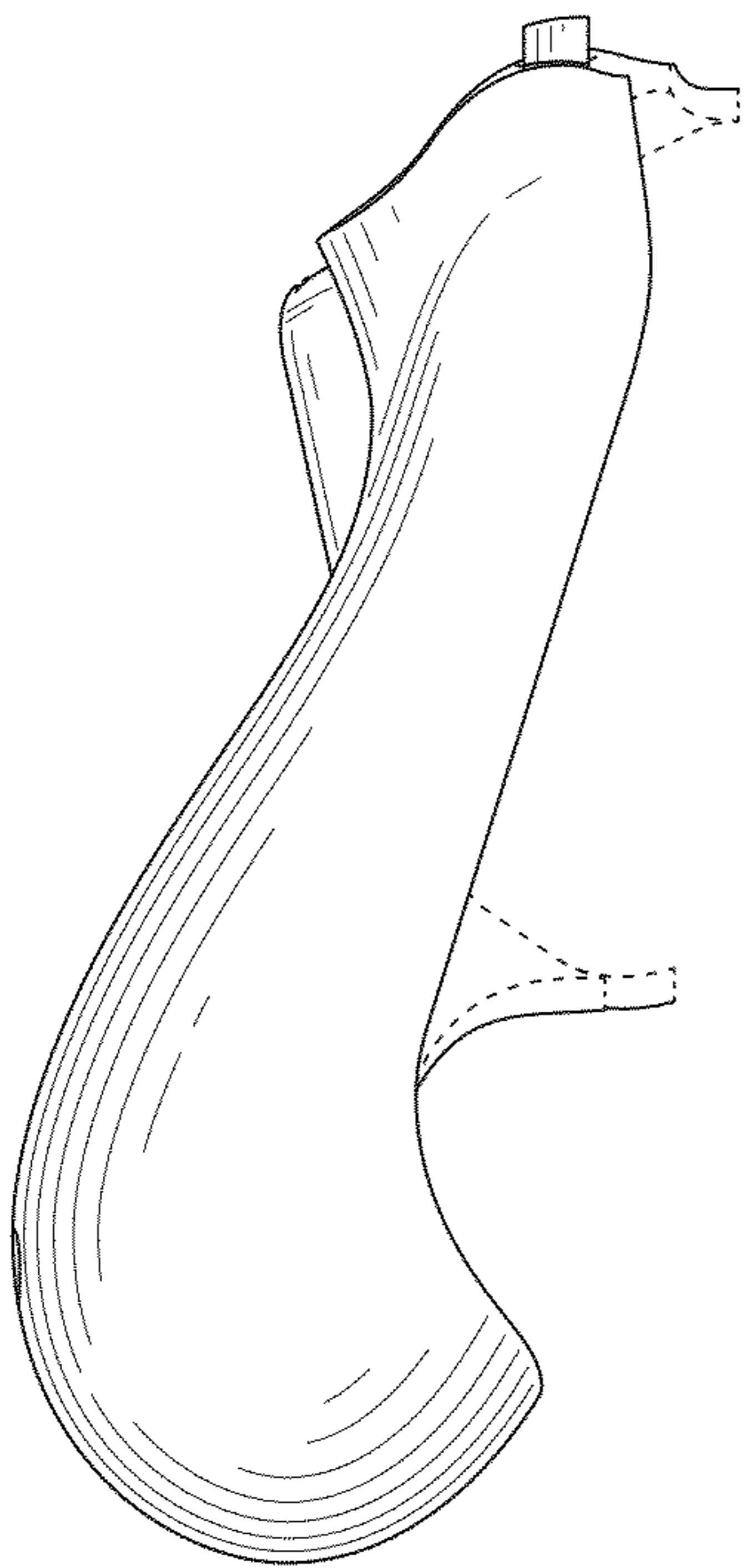


FIG. 6

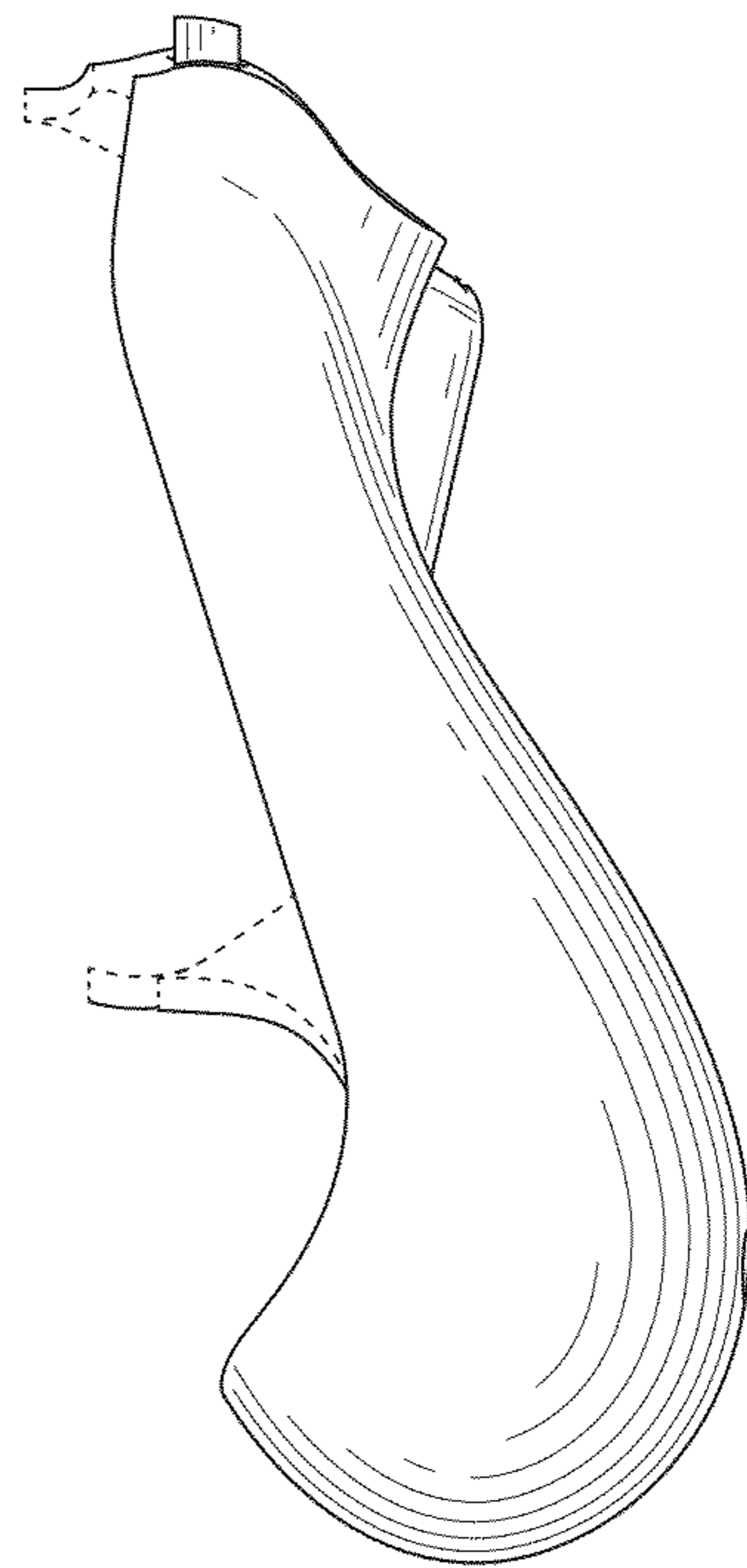


FIG. 7

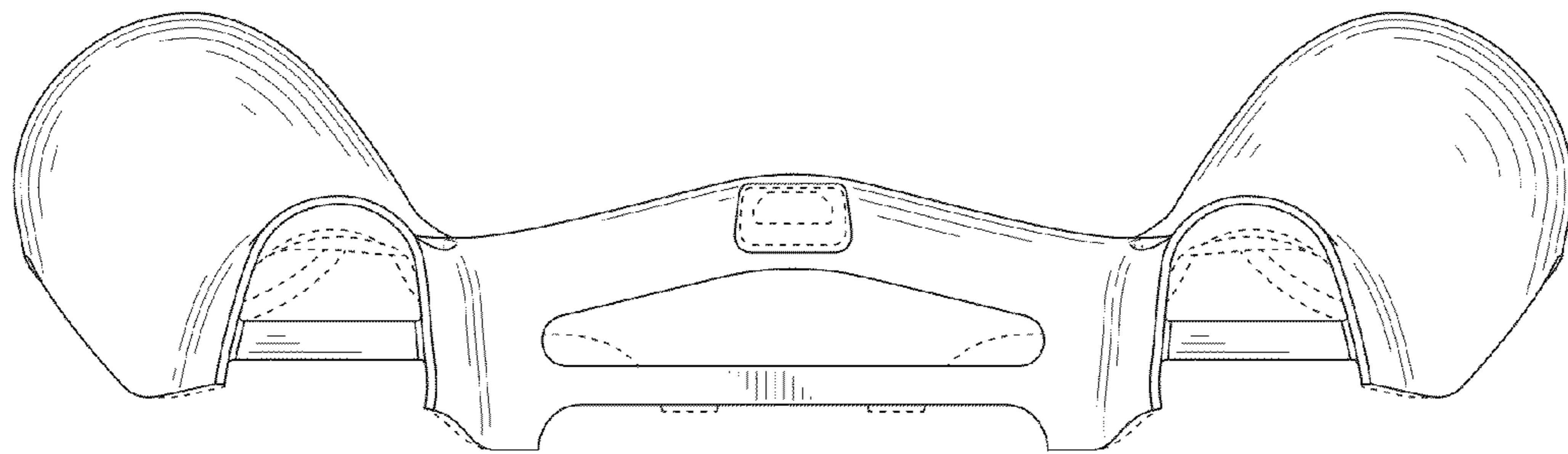


FIG. 8

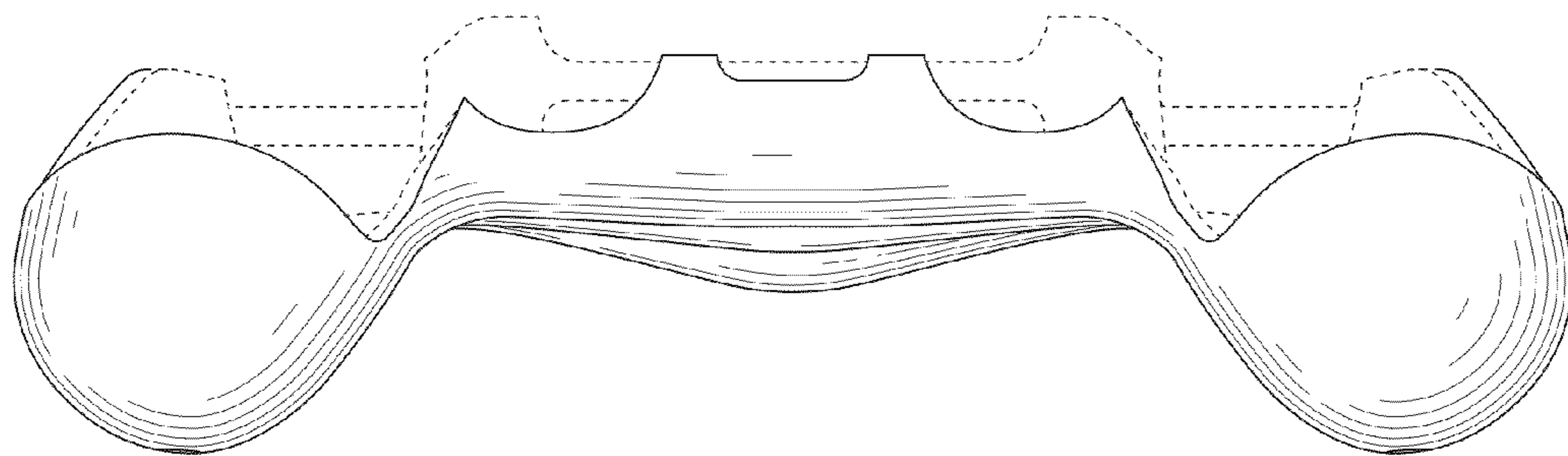


FIG. 9