



US00D712972S

(12) **United States Design Patent**
Sumii et al.

(10) **Patent No.:** **US D712,972 S**
(45) **Date of Patent:** **** Sep. 9, 2014**

(54) **CONTROLLER FOR ELECTRONIC DEVICE**

(71) Applicant: **Sony Computer Entertainment Inc.,**
Tokyo (JP)

(72) Inventors: **Tetsu Sumii, Tokyo (JP); Ennin Huang,**
Tokyo (JP)

(73) Assignee: **Sony Computer Entertainment Inc.,**
Tokyo (JP)

(**) Term: **14 Years**

(21) Appl. No.: **29/460,691**

(22) Filed: **Jul. 12, 2013**

(30) **Foreign Application Priority Data**

Feb. 19, 2013 (JP) D2013-003270

(51) **LOC (10) Cl.** **21-01**

(52) **U.S. Cl.**
USPC **D21/333; D14/401**

(58) **Field of Classification Search**
CPC A63F 13/02
USPC D14/399-401, 412-416; D21/324, 333;
273/148 B; 463/1, 29-39, 46, 47;
345/156-161, 905
See application file for complete search history.

(56) **References Cited**

U.S. PATENT DOCUMENTS

5,040,162	A *	8/1991	De Rozarieux et al.	720/646
D350,992	S *	9/1994	Barr	D21/332
D357,286	S *	4/1995	Feng	D14/401
5,551,693	A	9/1996	Goto et al.	
D376,826	S *	12/1996	Ashida	D14/401
D377,057	S *	12/1996	Lee	D14/401
D382,603	S	8/1997	Goto	
D393,885	S	4/1998	Goto	
5,759,100	A *	6/1998	Nakanishi	463/37

D397,164	S	8/1998	Goto	
D398,032	S	9/1998	Goto	
D402,317	S	12/1998	Goto	
D405,835	S	2/1999	Goto	
D407,761	S *	4/1999	Barr	D21/329
D416,588	S	11/1999	Goto	
D420,660	S *	2/2000	Chen	D14/401
D430,222	S	8/2000	Goto	
D430,223	S	8/2000	Goto	
D431,051	S	9/2000	Goto	
D439,580	S	3/2001	Goto	
D441,369	S	5/2001	Goto	
D442,180	S	5/2001	Goto	
D443,617	S	6/2001	Goto	
D443,618	S	6/2001	Goto	
D443,877	S	6/2001	Goto	
D444,469	S	7/2001	Goto	
D444,470	S	7/2001	Goto	
D468,365	S *	1/2003	Bransky et al.	D21/329
6,529,875	B1 *	3/2003	Nakajima et al.	704/275
D561,190	S	2/2008	Goto	
D585,931	S *	2/2009	Palmer	D18/7
D685,434	S *	7/2013	Ali et al.	D21/333

* cited by examiner

Primary Examiner — Prabhakar Deshmukh

(74) *Attorney, Agent, or Firm* — Rader, Fishman & Grauer
PLLC

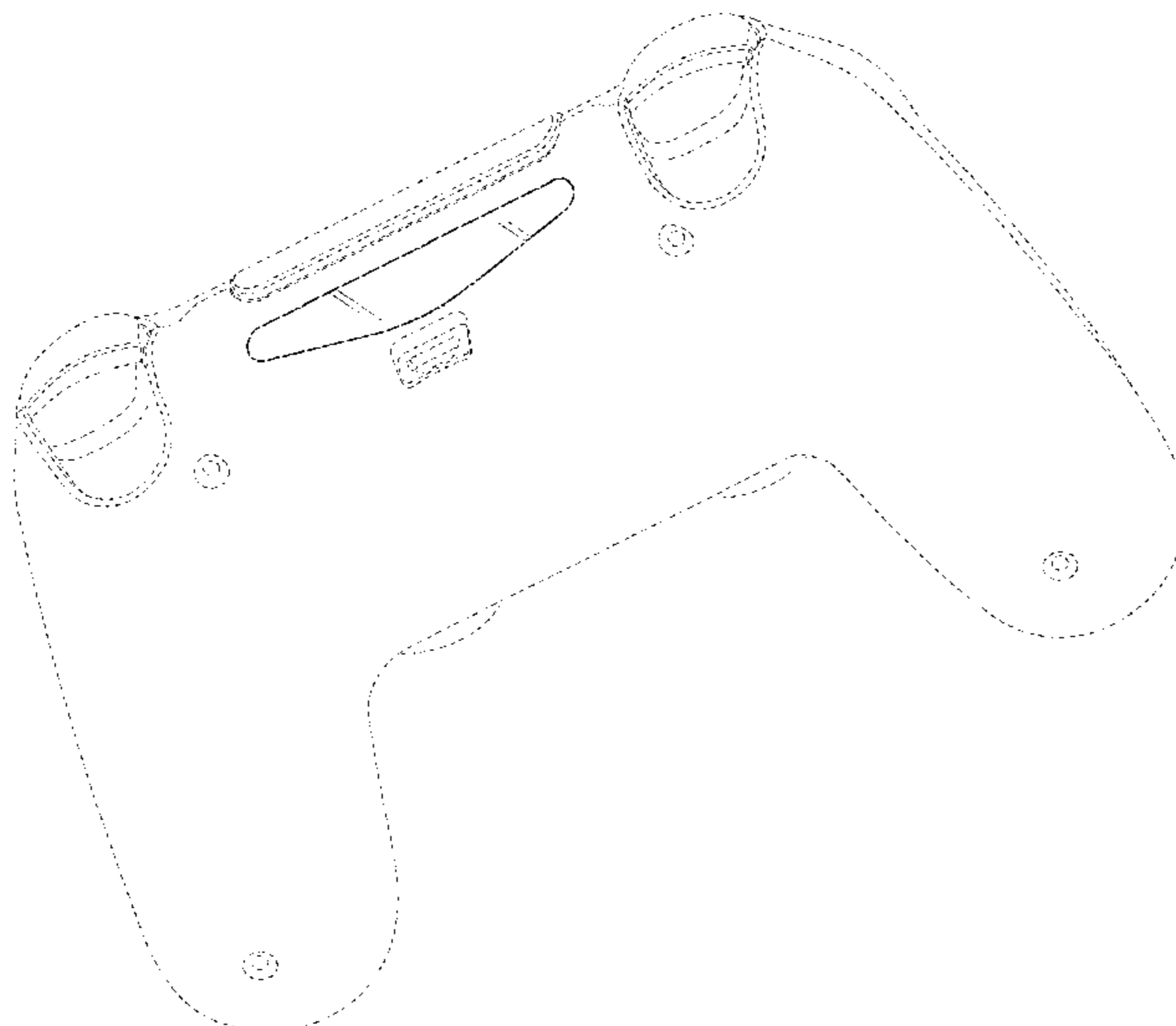
(57) **CLAIM**

The ornamental design for the controller for electronic device, as shown and described.

DESCRIPTION

FIG. 1 is a rear, top, left perspective view of the controller for electronic device showing our new design;
FIG. 2 is a front, top, left perspective view thereof;
FIG. 3 is a rear elevational view thereof; and,
FIG. 4 is a top plan view thereof.
The broken lines indicate the unclaimed portions of the controller for electronic device and form no part of the claimed design.

1 Claim, 4 Drawing Sheets



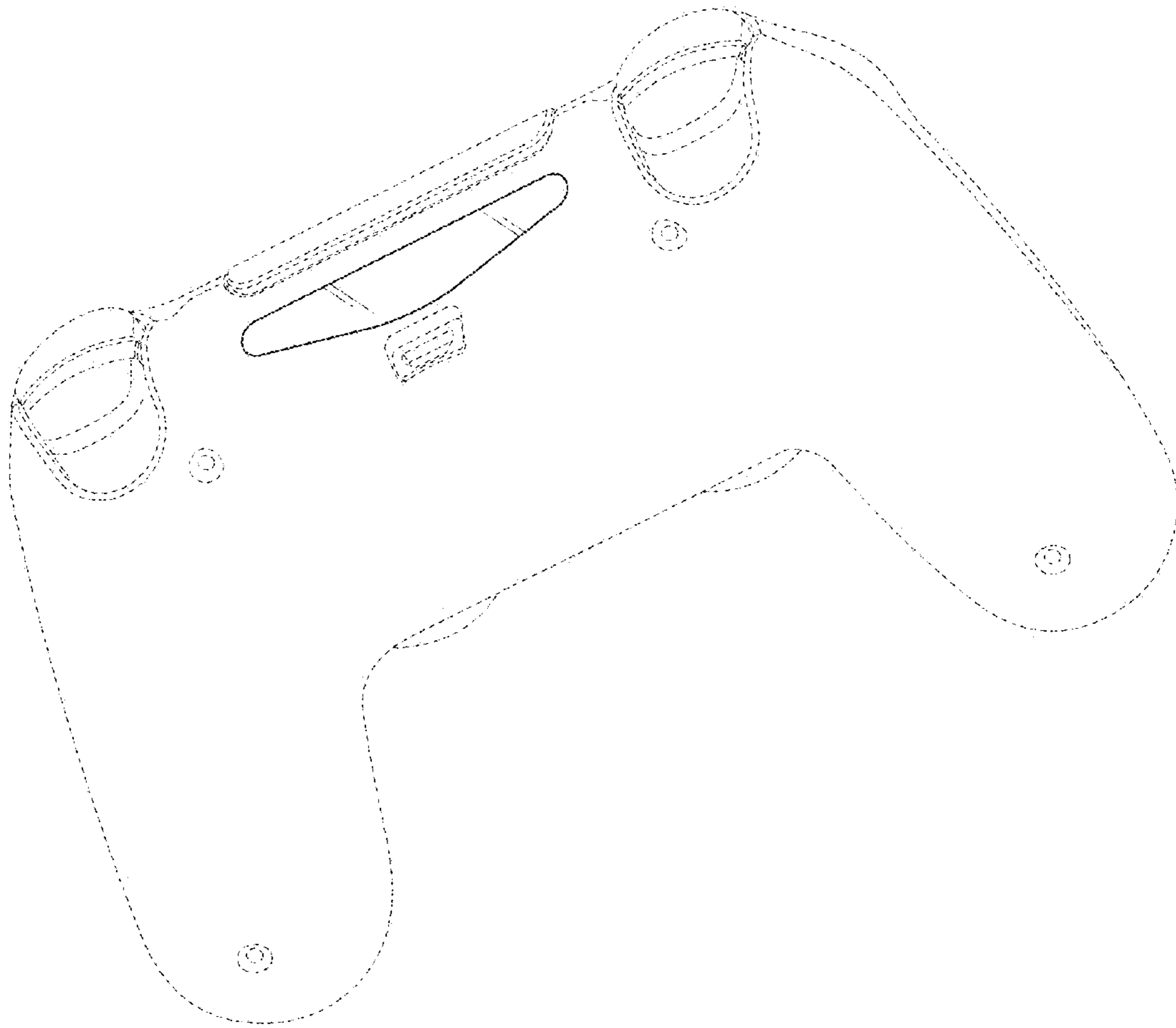


FIG. 1

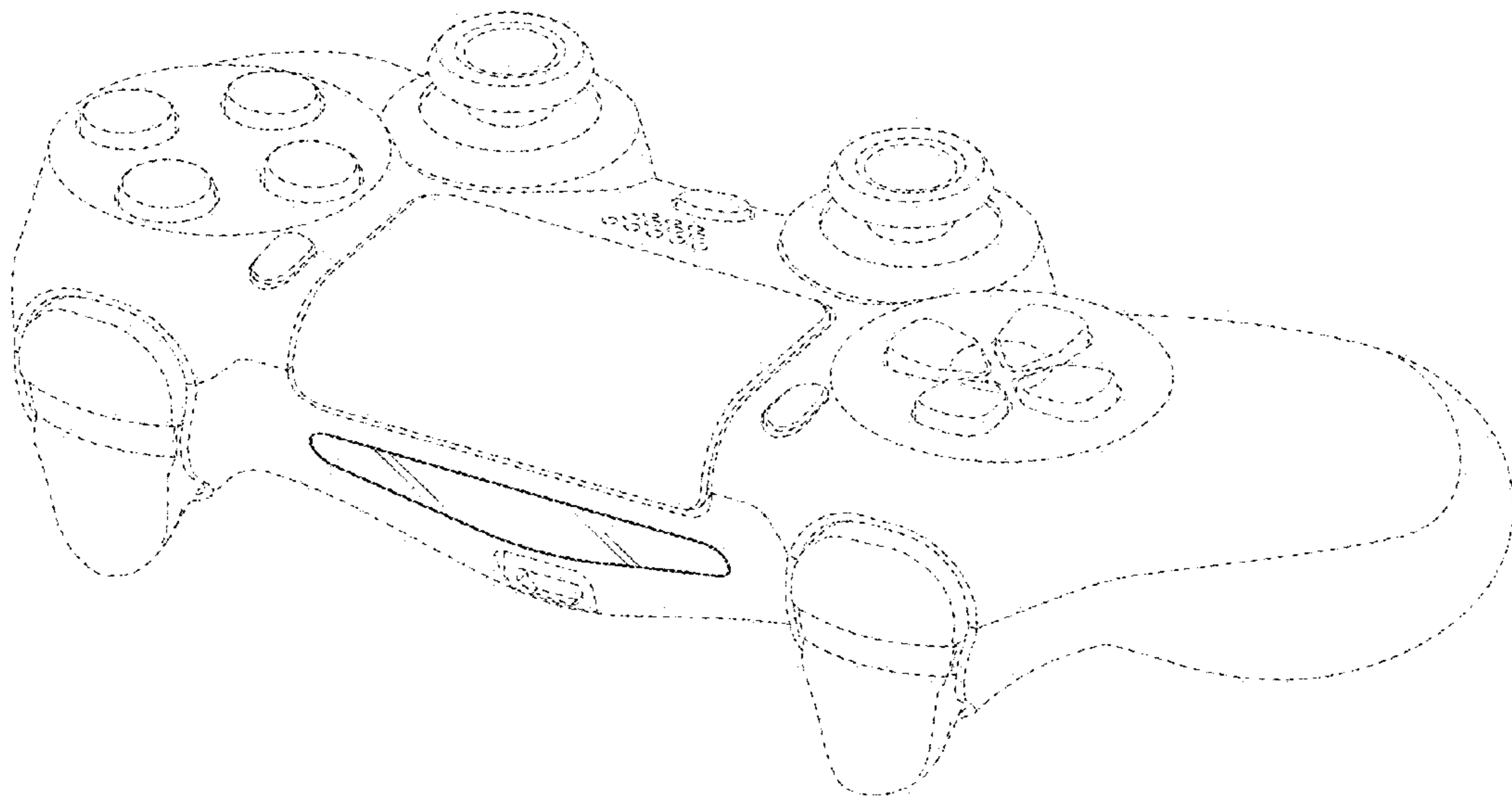


FIG. 2

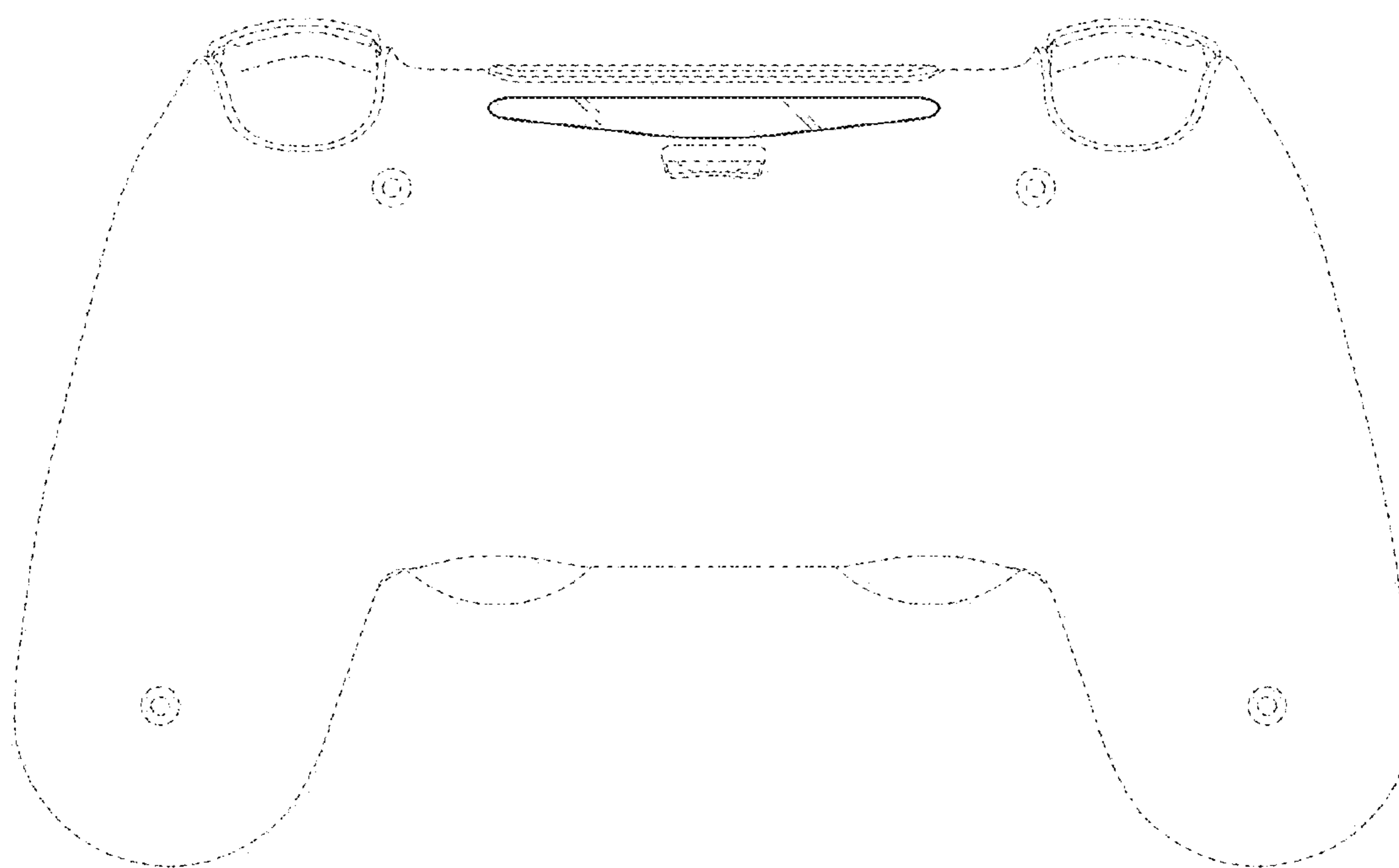


FIG. 3

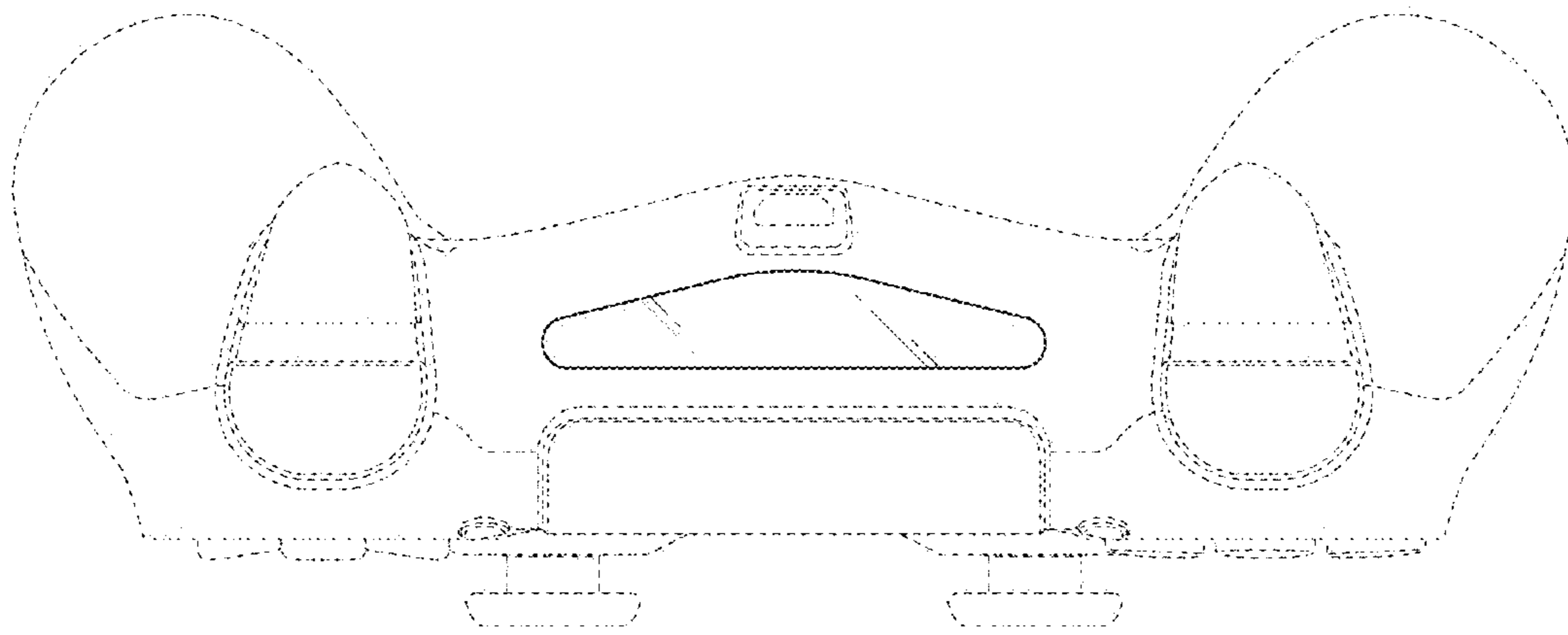


FIG. 4