



US00D712968S

(12) **United States Design Patent**
Gorelick et al.

(10) **Patent No.:** **US D712,968 S**

(45) **Date of Patent:** **** *Sep. 9, 2014**

(54) **ELECTRONIC SIGN**

(71) Applicant: **Grade A Sign, LLC**, Los Angeles, CA (US)

(72) Inventors: **Scott Gorelick**, Sherman Oaks, CA (US); **Sloan Eric Schaffer**, West Hollywood, CA (US)

(73) Assignee: **Grade A Sign, LLC**, Los Angeles, CA (US)

(*) Notice: This patent is subject to a terminal disclaimer.

(**) Term: **14 Years**

(21) Appl. No.: **29/461,937**

(22) Filed: **Jul. 29, 2013**

Related U.S. Application Data

(63) Continuation of application No. 29/433,613, filed on Oct. 2, 2012, now Pat. No. Des. 691,208.

(51) **LOC (10) Cl.** **20-03**

(52) **U.S. Cl.**
USPC **D20/10**

(58) **Field of Classification Search**
USPC D20/10, 12, 17-19, 39-43, 99; 40/368, 40/446-448, 453, 489, 538-542, 559, 564, 40/568, 572, 581, 584, 594, 600, 605, 40/606.1, 606.03, 606.18, 611.01, 617, 40/654.01, 661, 714, 716, 721, 734, 735, 40/737, 765; D6/300-302, 308; D10/109.1, 109.2, 113.4; 206/39.3, 206/232, 509; 362/812

See application file for complete search history.

(56) **References Cited**

U.S. PATENT DOCUMENTS

D270,061 S * 8/1983 Ackeret D6/308
4,691,456 A * 9/1987 Ackeret 40/721

(Continued)

Primary Examiner — Mary Ann Calabrese

(74) *Attorney, Agent, or Firm* — Jones Day

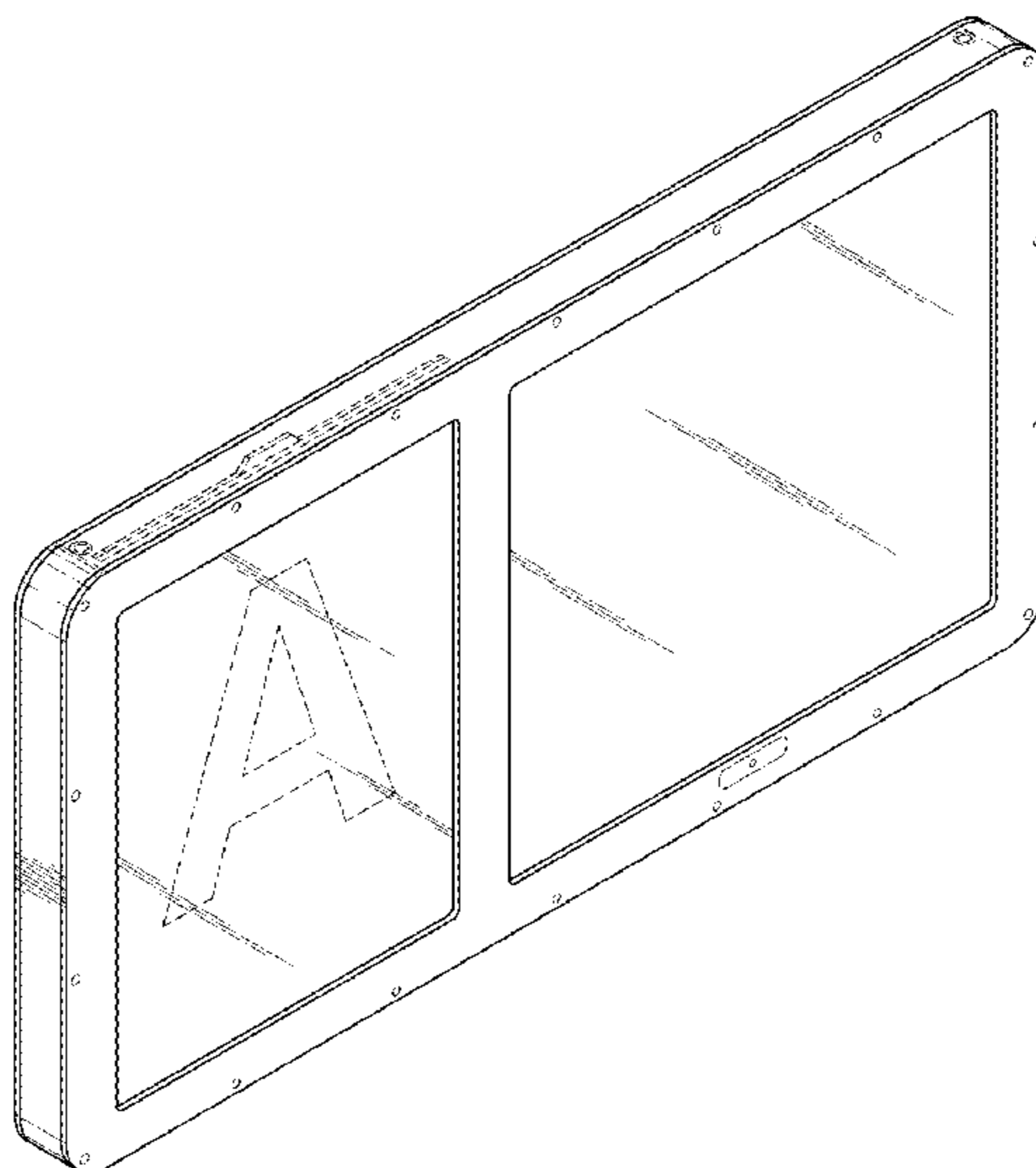
(57) **CLAIM**

The ornamental design for an electronic sign, as shown and described.

DESCRIPTION

FIG. 1 is a perspective horizontal view of the electronic sign; FIG. 2 is a perspective horizontal view of the opposite side of the electronic sign; FIG. 3 is a horizontal front view of the electronic sign; FIG. 4 is a horizontal rear view of the electronic sign; FIG. 5 is a horizontal side elevation view of the electronic sign; FIG. 6 is a horizontal top side view of the electronic sign; FIG. 7 is a horizontal bottom side view of the electronic sign; FIG. 8 is a perspective horizontal view of an alternate embodiment of the electronic sign with reversed positions of the windows; FIG. 9 is a perspective horizontal view of the opposite side of FIG. 8; FIG. 10 is a perspective front view of the electronic sign of FIG. 8; FIG. 11 is a horizontal rear view of FIG. 10; FIG. 12 is a horizontal side elevation view of the electronic sign; FIG. 13 is a horizontal top view of the electronic sign; and, FIG. 14 is a horizontal bottom side view of the electronic sign. The broken lines in the drawings depict environmental subject matter only and form no part of the claimed design.

1 Claim, 6 Drawing Sheets



(56)

References Cited

U.S. PATENT DOCUMENTS

D300,642	S	*	4/1989	Pawlik et al.	D20/10
4,979,619	A	*	12/1990	Hager	206/509
5,018,291	A	*	5/1991	Pasquale et al.	40/584
5,038,926	A	*	8/1991	van der Toorn	206/39.3
5,249,383	A	*	10/1993	McCusker et al.	40/654.01
D346,829	S	*	5/1994	Keefe	D20/40
5,353,536	A	*	10/1994	Erber et al.	40/606.1
D458,038	S	*	6/2002	Ueno	D6/302
6,827,209	B1	*	12/2004	Tank et al.	206/232
D690,365	S	*	9/2013	Gorelick et al.	D20/10
D691,208	S	*	10/2013	Gorelick	D20/10
2004/0231216	A1	*	11/2004	Lundberg	40/661
2007/0187266	A1	*	8/2007	Porter et al.	206/232
2012/0304513	A1	*	12/2012	Gorelick	40/581
2013/0247432	A1	*	9/2013	Droz	40/124.06

* cited by examiner

FIG. 1

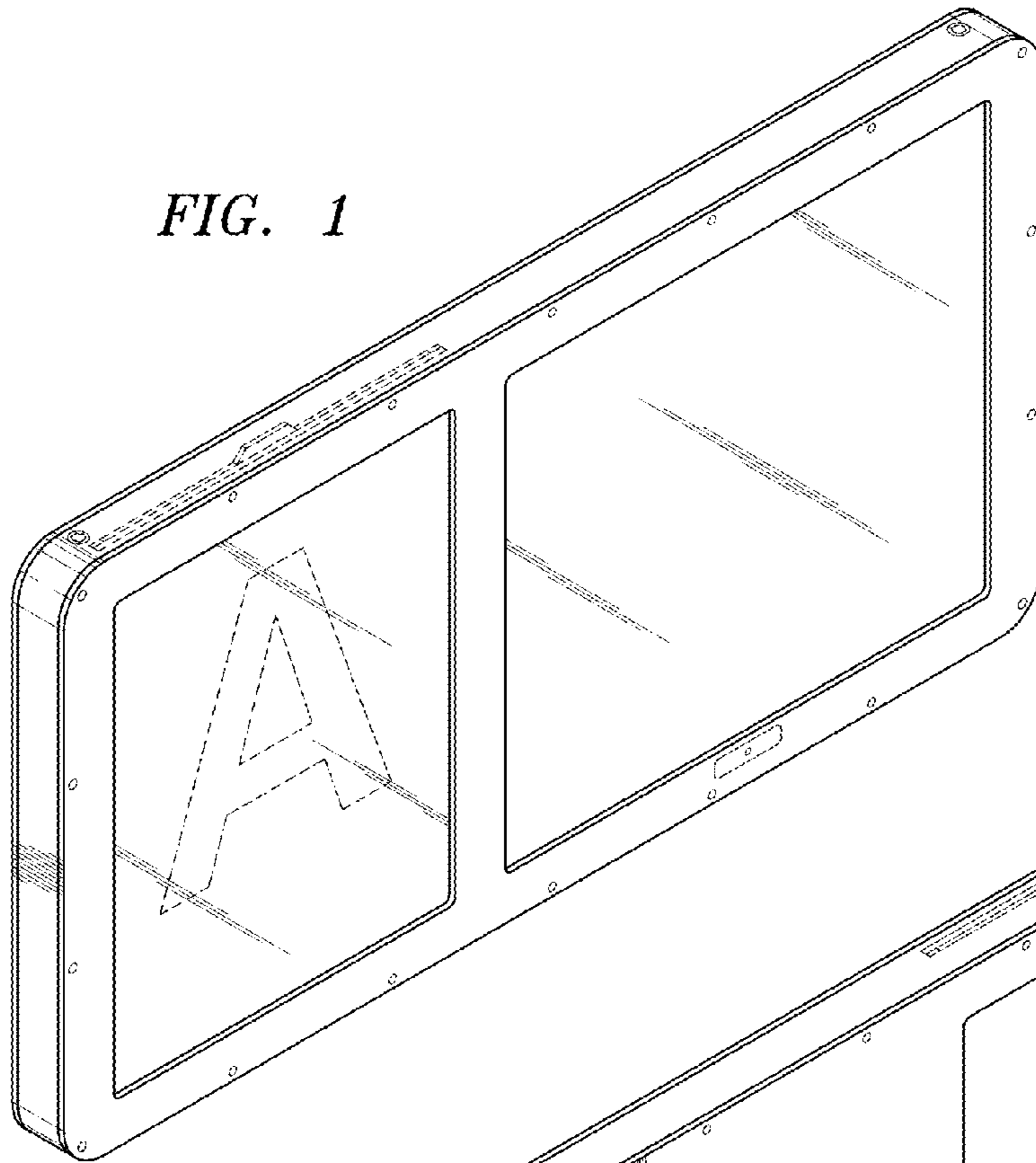
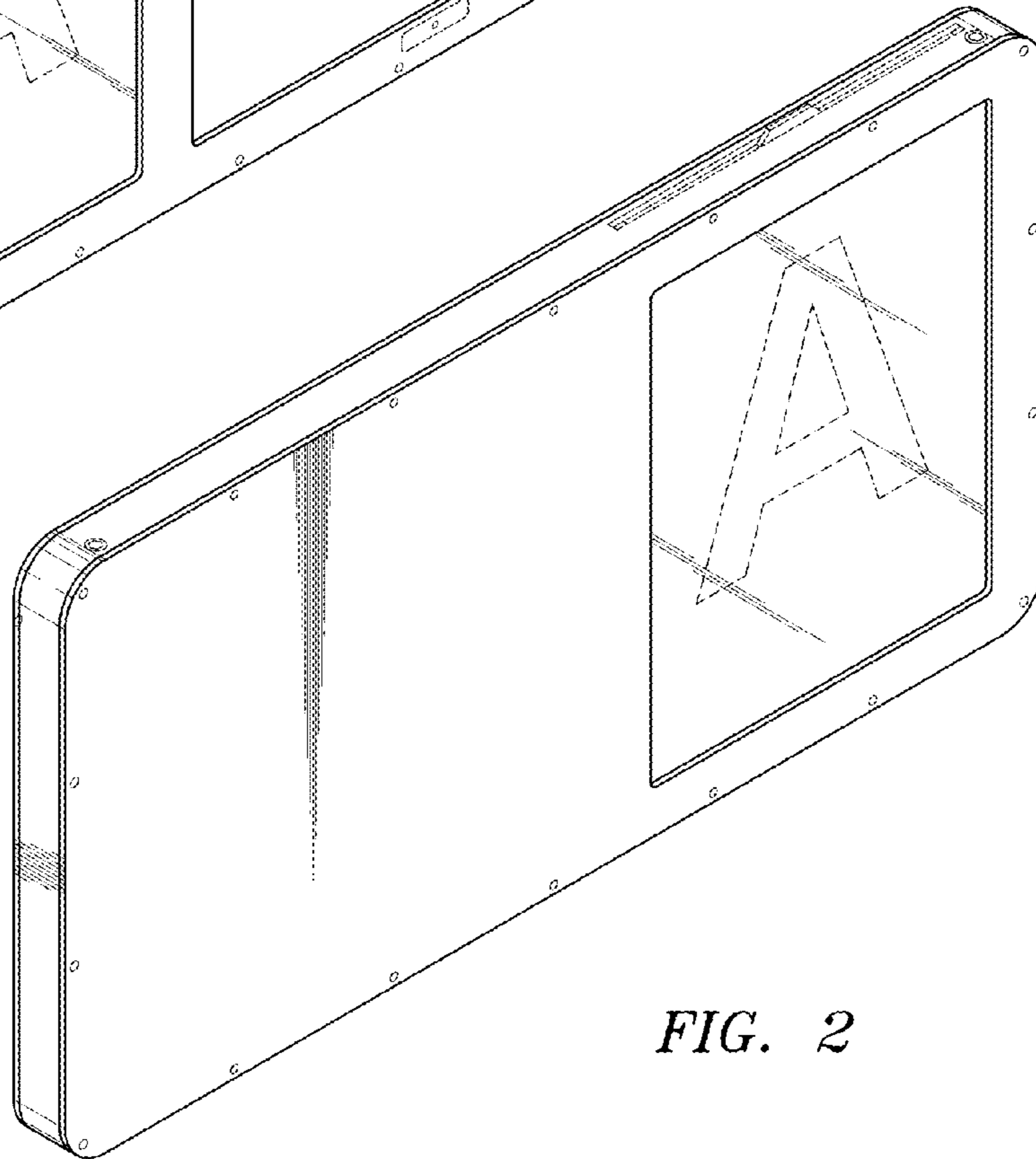


FIG. 2



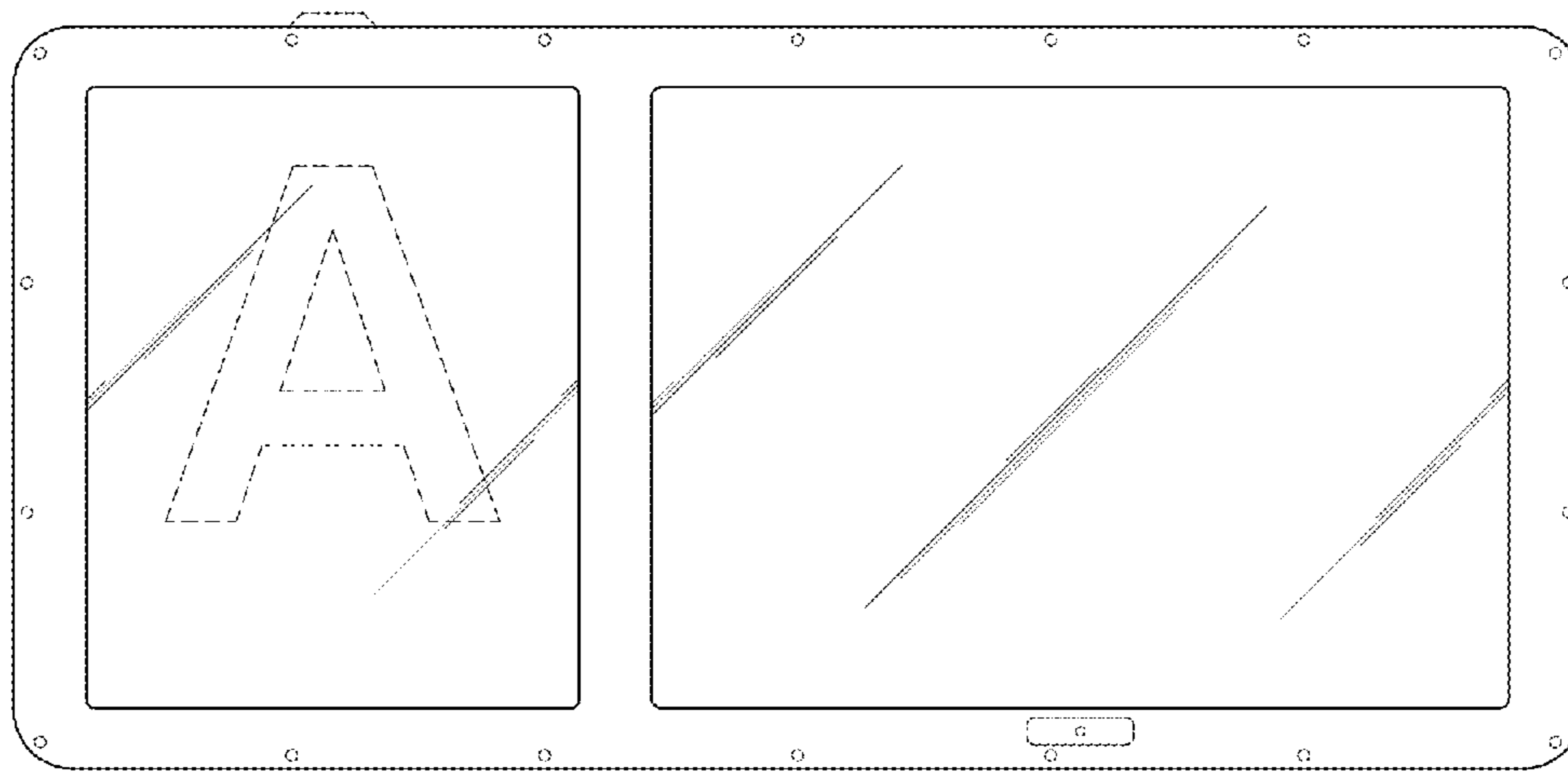


FIG. 3

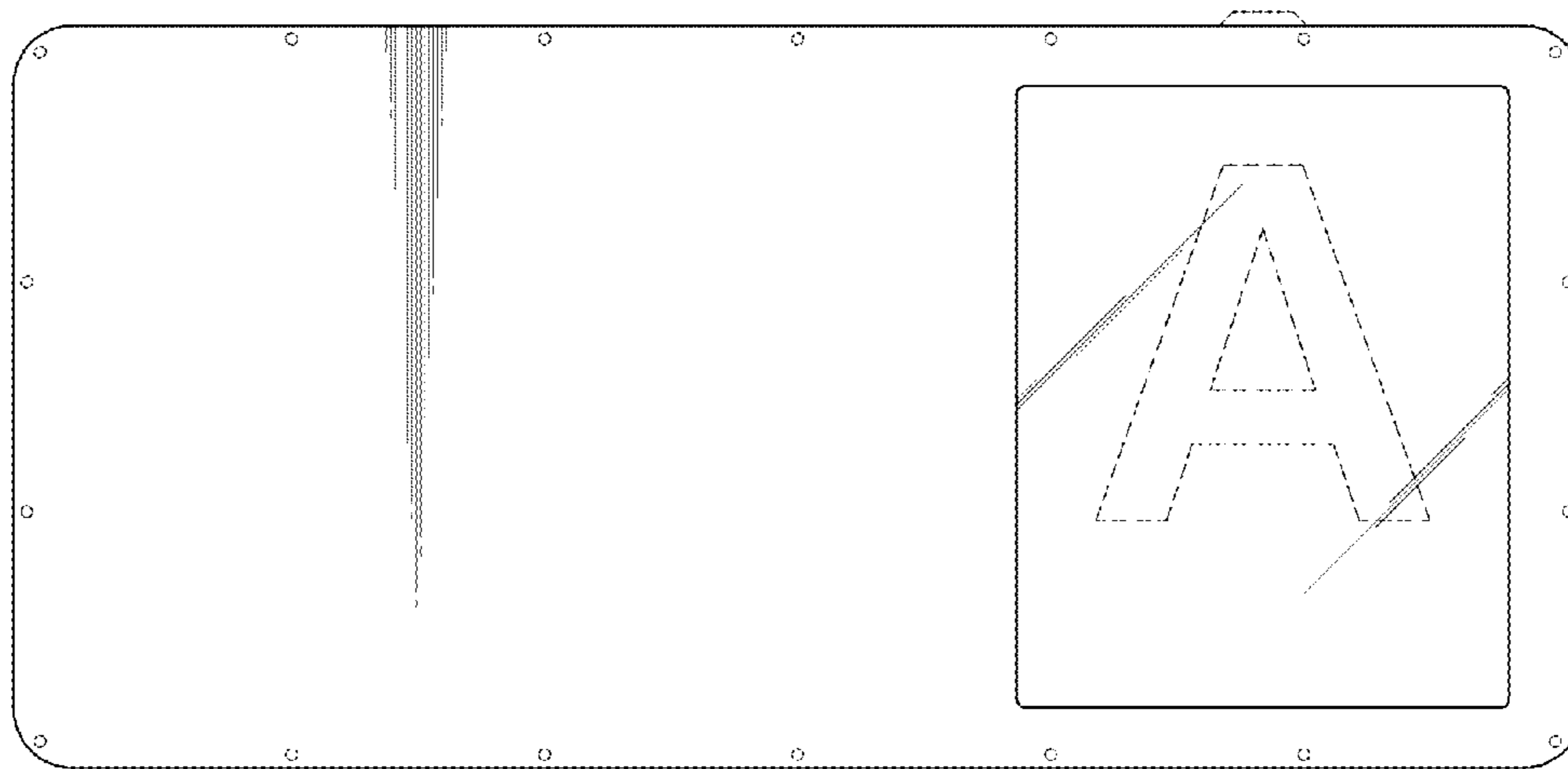


FIG. 4

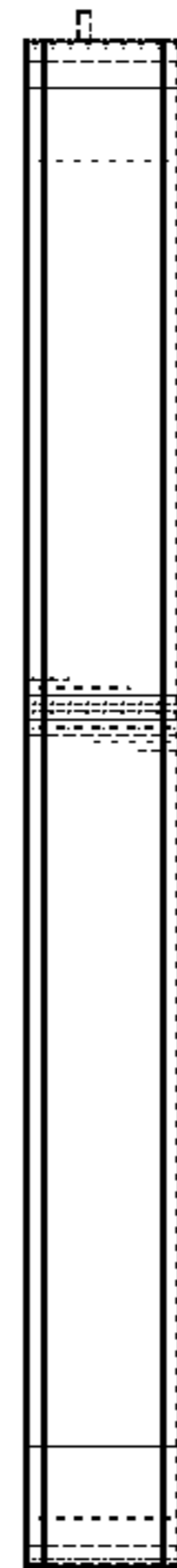


FIG. 5



FIG. 6



FIG. 7

FIG. 8

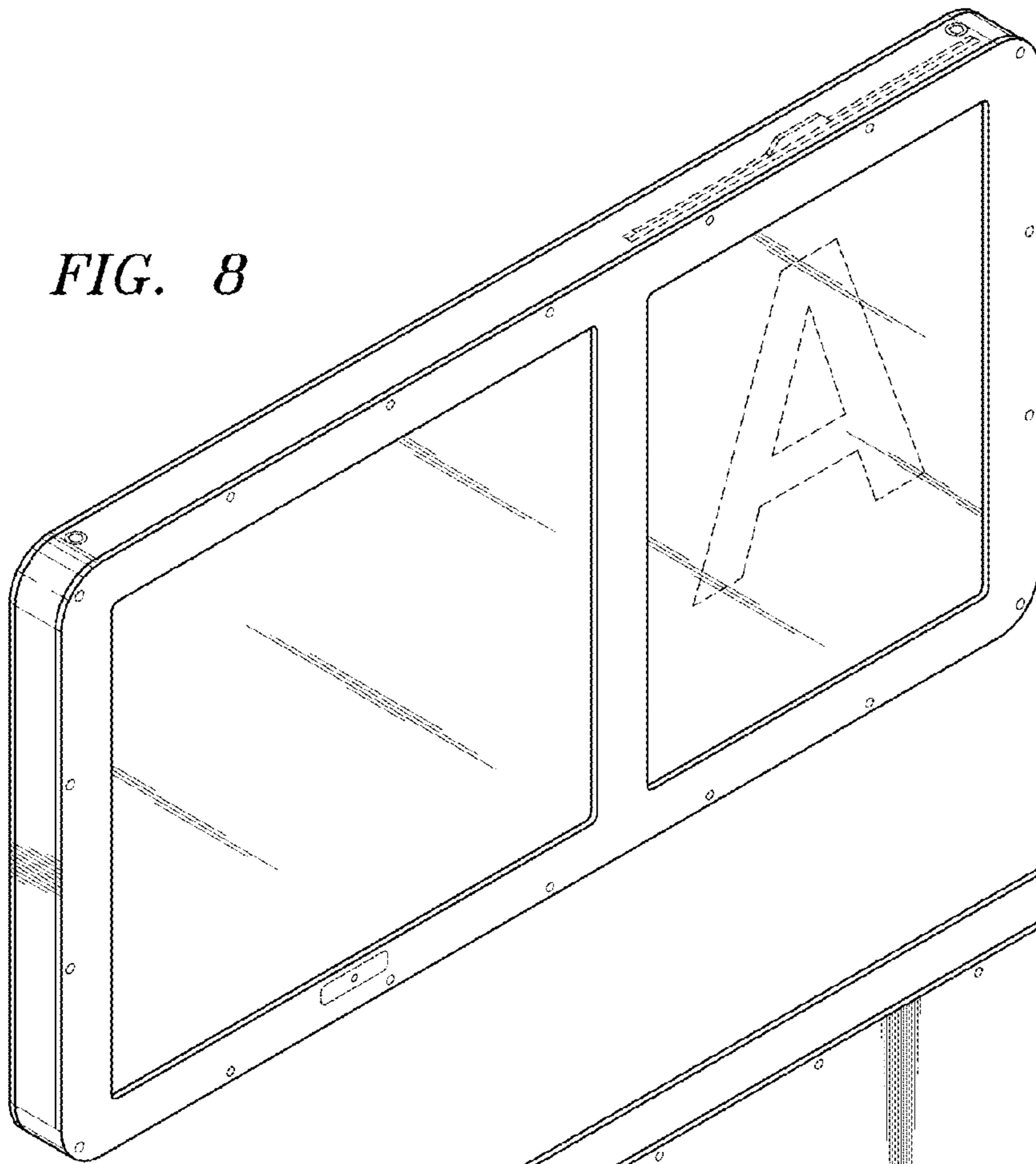
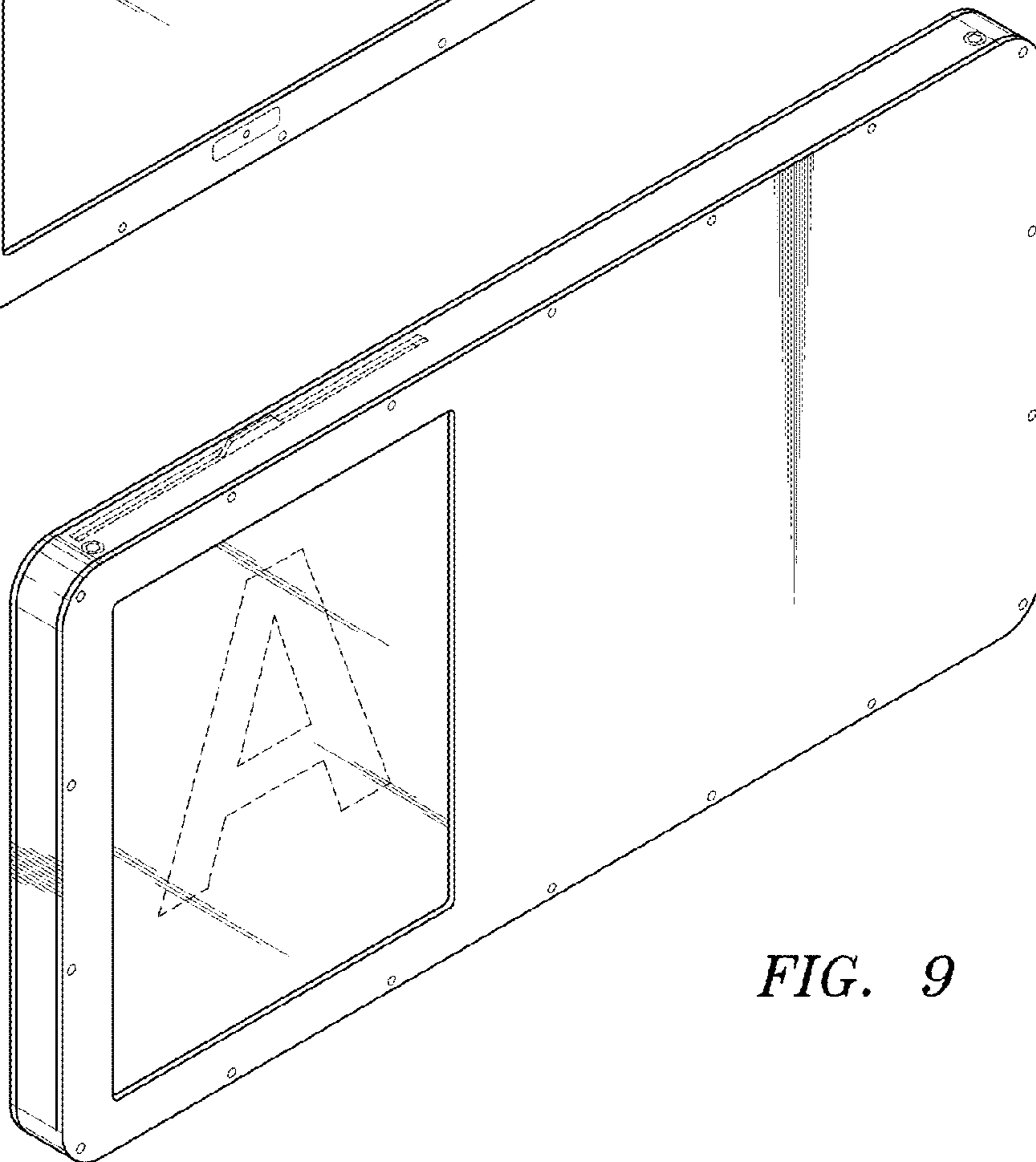


FIG. 9



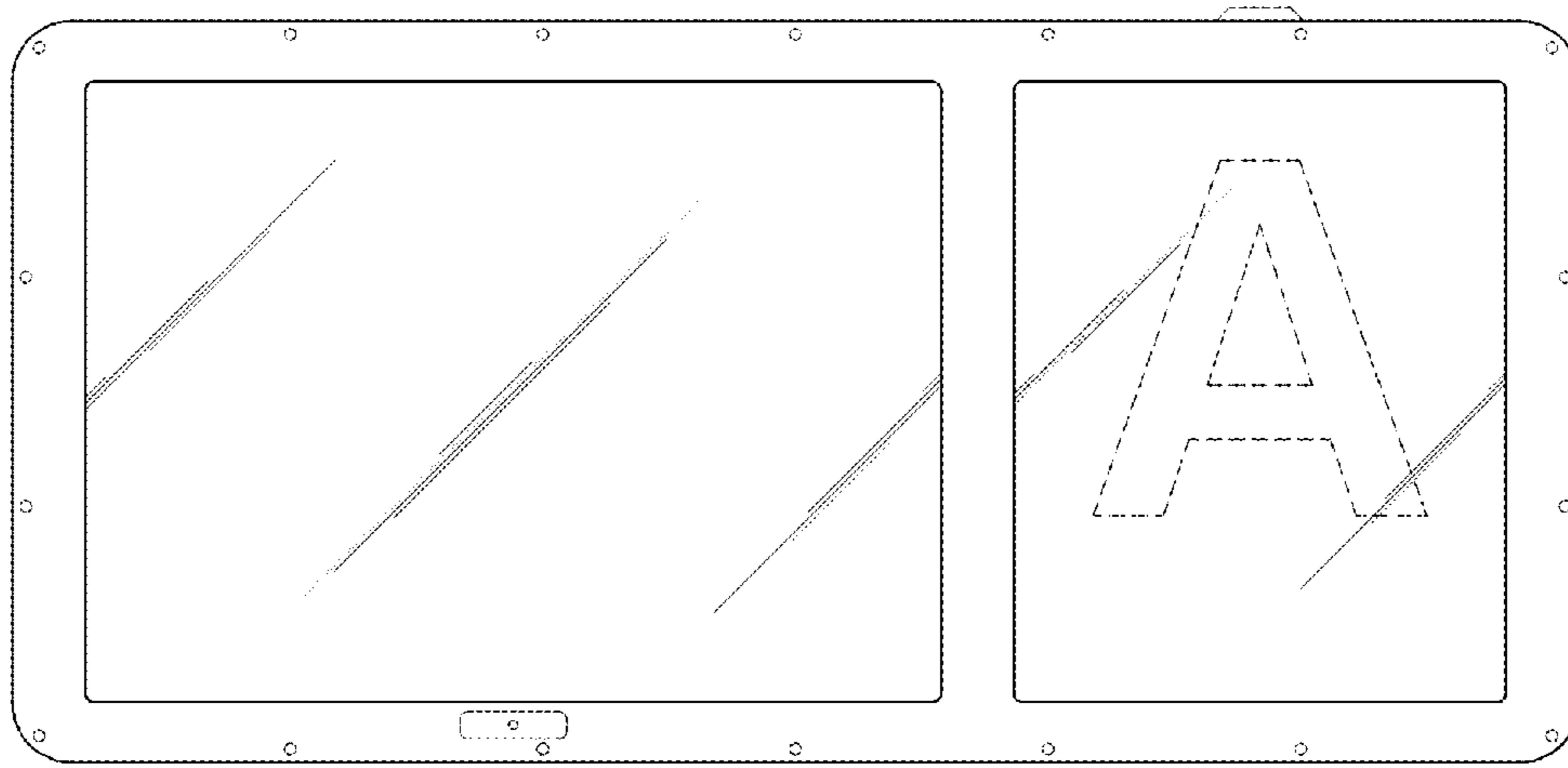


FIG. 10

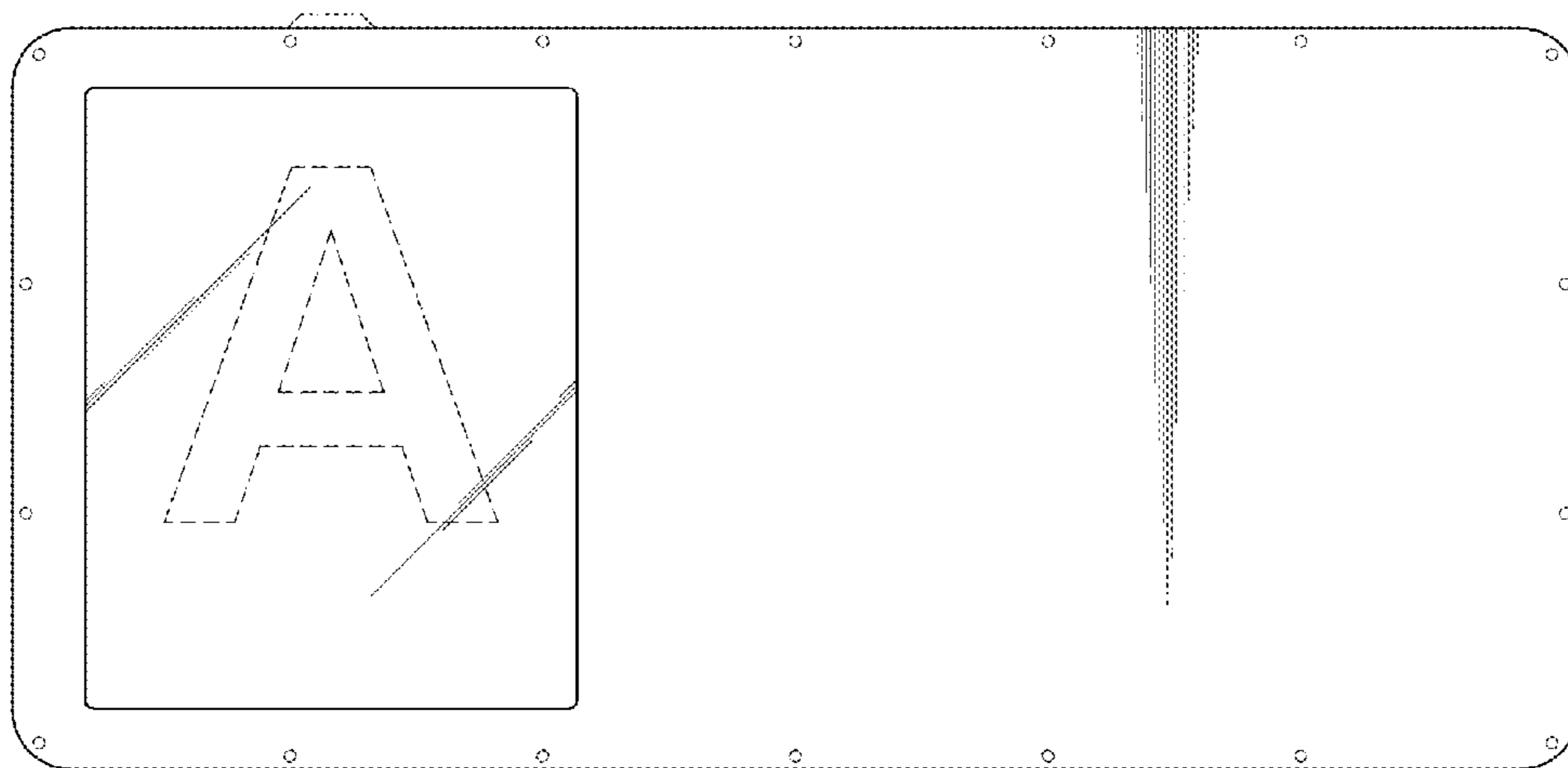


FIG. 11

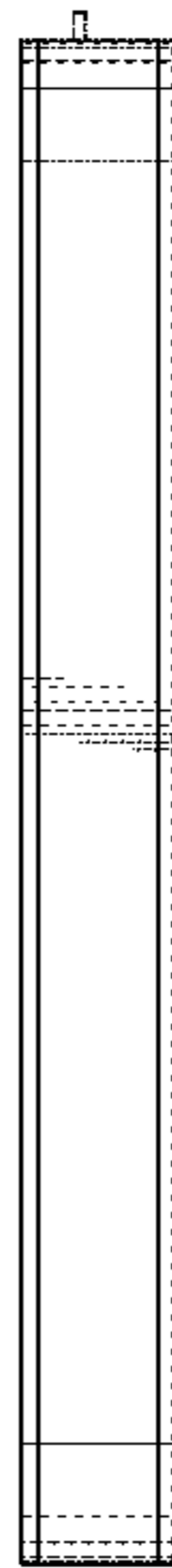


FIG. 12



FIG. 13



FIG. 14