



US00D712966S

(12) **United States Design Patent**  
**Ikeda**

(10) **Patent No.:** **US D712,966 S**  
(45) **Date of Patent:** **\*\* Sep. 9, 2014**

(54) **BALLPOINT PEN**

(71) Applicant: **Kabushiki Kaisha Pilot Corporation,**  
Tokyo (JP)

(72) Inventor: **Akinori Ikeda,** Tokyo (JP)

(73) Assignee: **Kabushiki Kaisha Pilot Corporation,**  
Tokyo (JP)

(\*\*) Term: **14 Years**

(21) Appl. No.: **29/454,009**

(22) Filed: **May 6, 2013**

(30) **Foreign Application Priority Data**

Nov. 9, 2012 (JP) ..... 2012-027376

(51) **LOC (10) Cl.** ..... **19-06**

(52) **U.S. Cl.**  
USPC ..... **D19/195**

(58) **Field of Classification Search**  
USPC ..... D14/411; D19/115-186, 194, 912, 914,  
D19/923; 24/11 R, 11 F, 11 P; 401/52, 99,  
401/109, 192, 195, 196  
See application file for complete search history.

(56) **References Cited**

**U.S. PATENT DOCUMENTS**

2,456,904 A \* 12/1948 Wahlstrom ..... 101/333  
3,424,539 A \* 1/1969 Jenkins ..... 401/292  
D394,875 S \* 6/1998 Izushima ..... D19/51

D403,705 S \* 1/1999 Izushima et al. .... D19/51  
D445,829 S \* 7/2001 Izushima ..... D19/48  
D527,050 S \* 8/2006 Hirota ..... D19/51  
D552,176 S \* 10/2007 Schnug ..... D19/51  
D585,093 S \* 1/2009 Schnug ..... D19/51  
D593,606 S \* 6/2009 Oka et al. .... D19/51  
D595,350 S \* 6/2009 Paz et al. .... D19/43  
D650,441 S \* 12/2011 Ikeda ..... D19/47  
D683,400 S \* 5/2013 Xie ..... D19/48  
D687,097 S \* 7/2013 Bouniol ..... D19/48  
2012/0308290 A1 \* 12/2012 Ito ..... 401/104

\* cited by examiner

*Primary Examiner* — Elizabeth Albert

(74) *Attorney, Agent, or Firm* — Sughrue Mion, PLLC

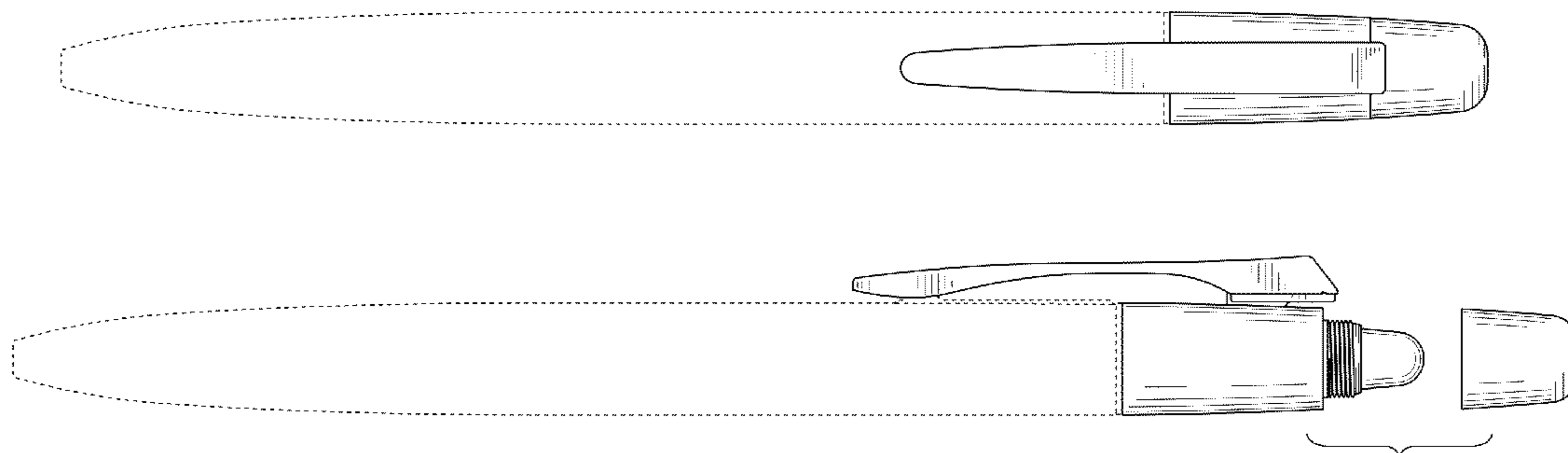
(57) **CLAIM**

The ornamental design for a ballpoint pen, as shown and described.

**DESCRIPTION**

FIG. 1 is a perspective view of front, top and right side of a ballpoint pen showing my new design;  
FIG. 2 is a front view thereof, the rear view being a mirror image thereof;  
FIG. 3 is a left side view thereof;  
FIG. 4 is a right side view thereof;  
FIG. 5 is a top view thereof;  
FIG. 6 is a bottom view thereof;  
FIG. 7 is an exploded front view thereof; and,  
FIG. 8 is an exploded top view thereof.  
The broken lines shown are included for the purpose of illustrating unclaimed portions of the ballpoint pen that form no part of the claimed design.

**1 Claim, 3 Drawing Sheets**



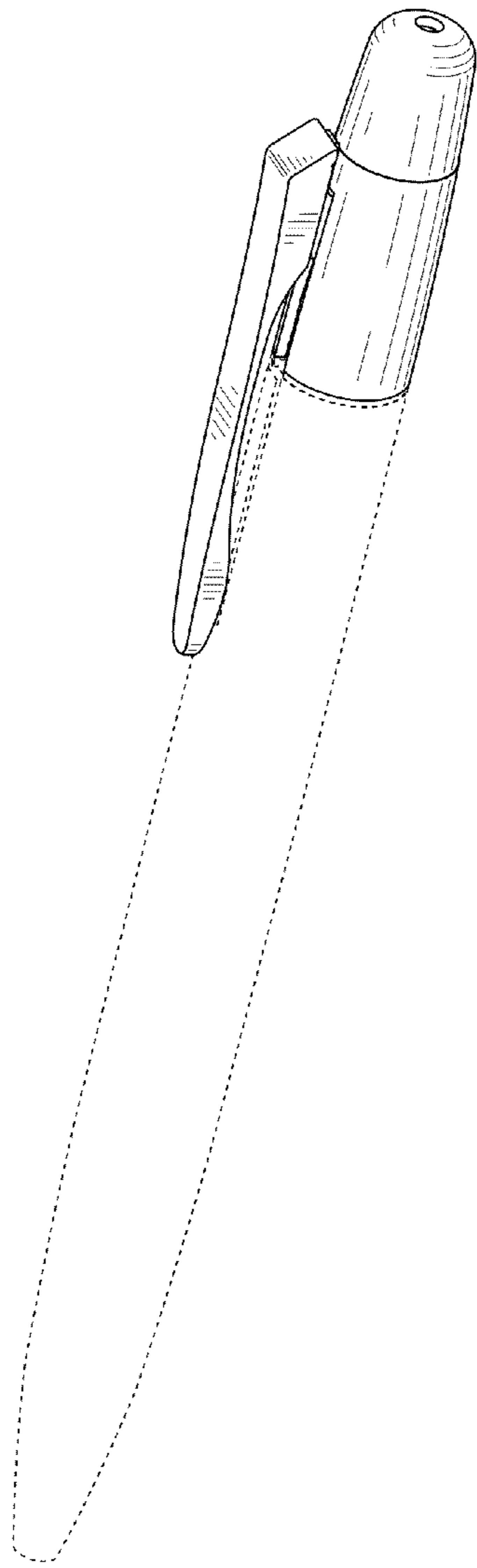


FIG. 1

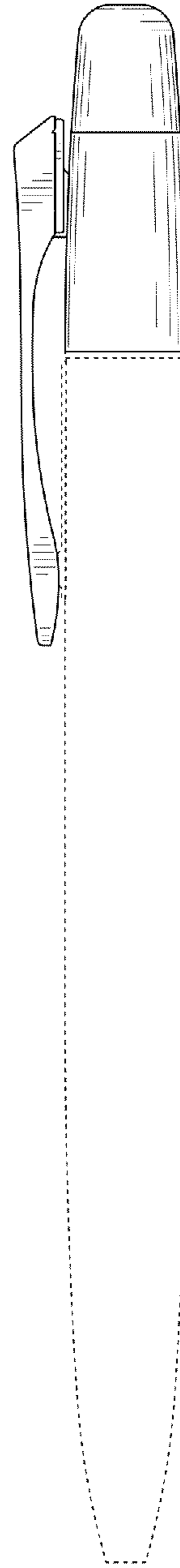


FIG. 2

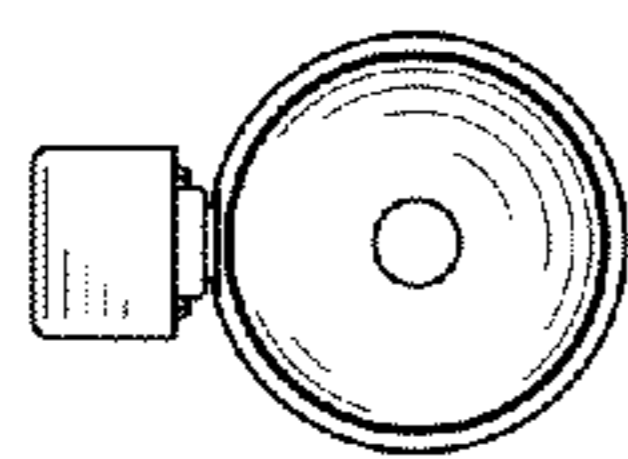


FIG. 3

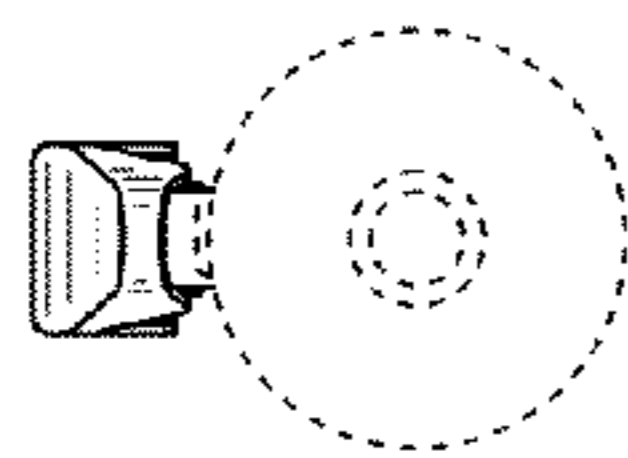


FIG. 4

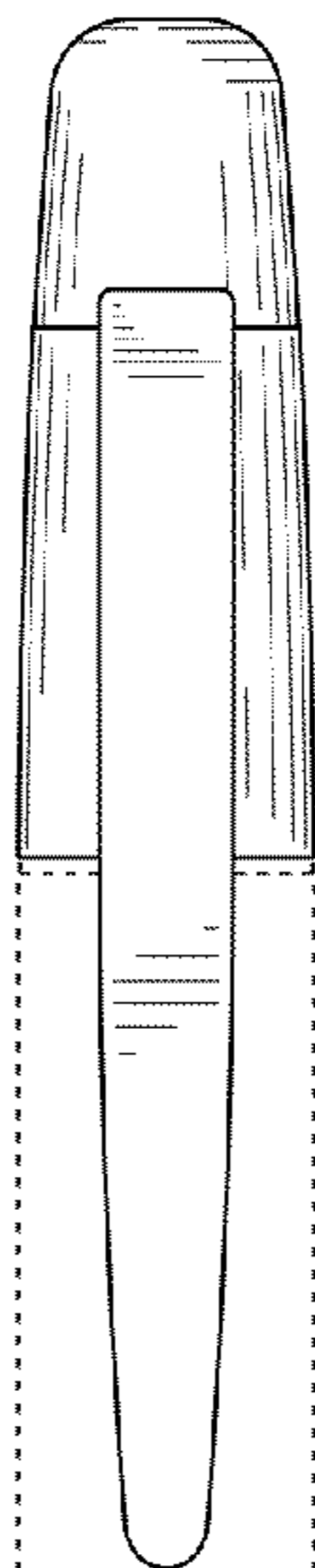


FIG. 5

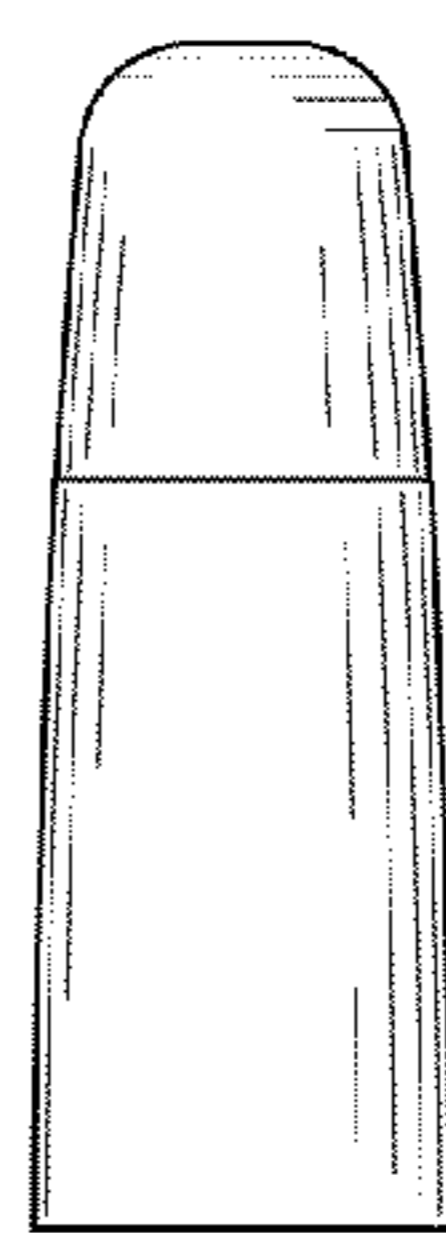


FIG. 6

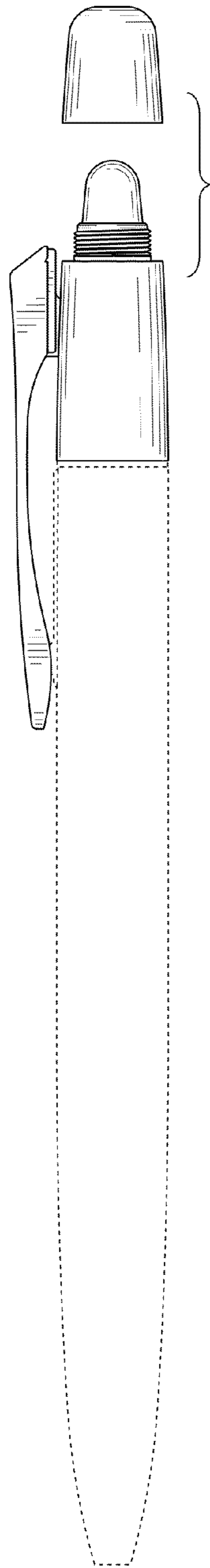


FIG. 7

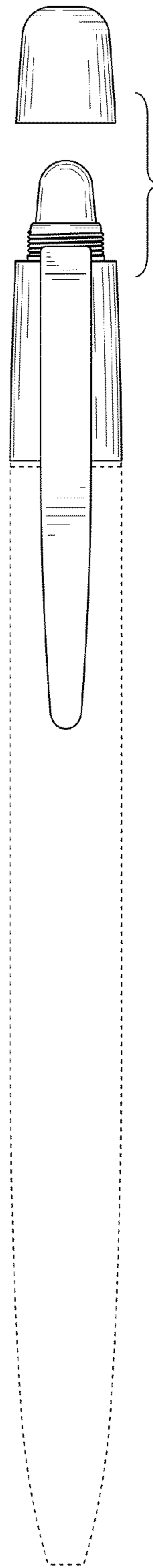


FIG. 8