



US00D712963S

(12) **United States Design Patent**
Fleet

(10) **Patent No.:** **US D712,963 S**

(45) **Date of Patent:** **** Sep. 9, 2014**

(54) **DRY ERASE BOARD**

(71) Applicant: **Philip Fleet**, Reston, VA (US)

(72) Inventor: **Philip Fleet**, Reston, VA (US)

(**) Term: **14 Years**

(21) Appl. No.: **29/458,579**

(22) Filed: **Jun. 20, 2013**

(51) **LOC (10) Cl.** **19-06**

(52) **U.S. Cl.**
USPC **D19/113**

(58) **Field of Classification Search**
USPC D6/300–314, 700; D19/88, 90, 91, 113;
D20/10, 27, 39, 40, 42; 40/538, 584,
40/607.01, 611.01; 248/441.1, 444.1;
312/230; 434/408, 410, 415

See application file for complete search history.

(56) **References Cited**

U.S. PATENT DOCUMENTS

D52,510 S *	10/1918	Doherty	D6/303
D208,233 S *	8/1967	Ely	D6/308
D306,528 S *	3/1990	Worley	D6/309
D417,027 S *	11/1999	Cece	D26/74
D457,677 S *	5/2002	Landefeld et al.	D26/67
D482,484 S *	11/2003	Benghozi	D26/85
D488,626 S *	4/2004	Kruger	D6/309
D491,373 S *	6/2004	Mangano	D6/309
D527,915 S *	9/2006	Lewis	D6/303
D570,532 S *	6/2008	Camarota	D26/120
D580,184 S *	11/2008	Svendsen et al.	D6/309

D581,089 S *	11/2008	St-Hilaire	D26/118
D604,955 S *	12/2009	Kuo	D6/309
D611,187 S *	3/2010	Waring	D26/138
D633,644 S *	3/2011	Sprengers	D26/89
D639,496 S *	6/2011	Wada et al.	D26/120
D639,497 S *	6/2011	Ogawa et al.	D26/120
D657,575 S *	4/2012	Weber	D6/300
D658,604 S *	5/2012	Egawa et al.	D13/180
D659,900 S *	5/2012	Yu	D26/138
D667,985 S *	9/2012	Gielen	D26/89
D681,867 S *	5/2013	Wegger et al.	D26/124
D701,050 S *	3/2014	Yang et al.	D6/309
2006/0176703 A1 *	8/2006	Cayton et al.	362/350

* cited by examiner

Primary Examiner — Elizabeth Albert

(74) *Attorney, Agent, or Firm* — Brian D. Laubscher

(57) **CLAIM**

The ornamental design for a dry erase board, as shown.

DESCRIPTION

FIG. 1 is an exploded front perspective view of the dry erase board showing my new design;

FIG. 2 is an exploded front plan view of the dry erase board of FIG. 1;

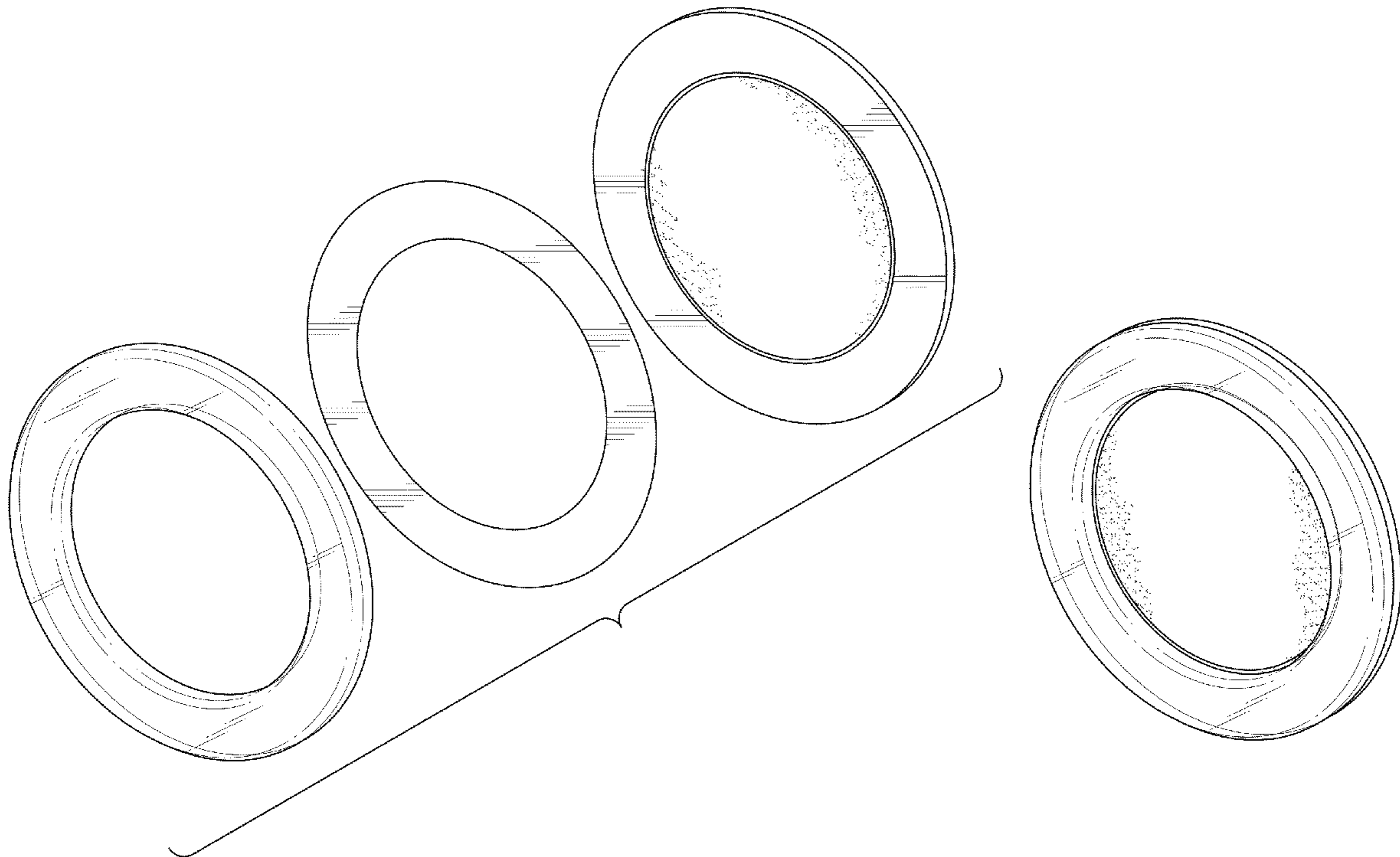
FIG. 3 is an exploded side elevation view of the dry erase board of FIG. 1;

FIG. 4 is a front perspective view of the dry erase board of FIG. 1 when combined;

FIG. 5 is a front plan view of the dry erase board of FIG. 1 when combined; and,

FIG. 6 is a side elevation view of the dry erase board of FIG. 1 when combined.

1 Claim, 5 Drawing Sheets



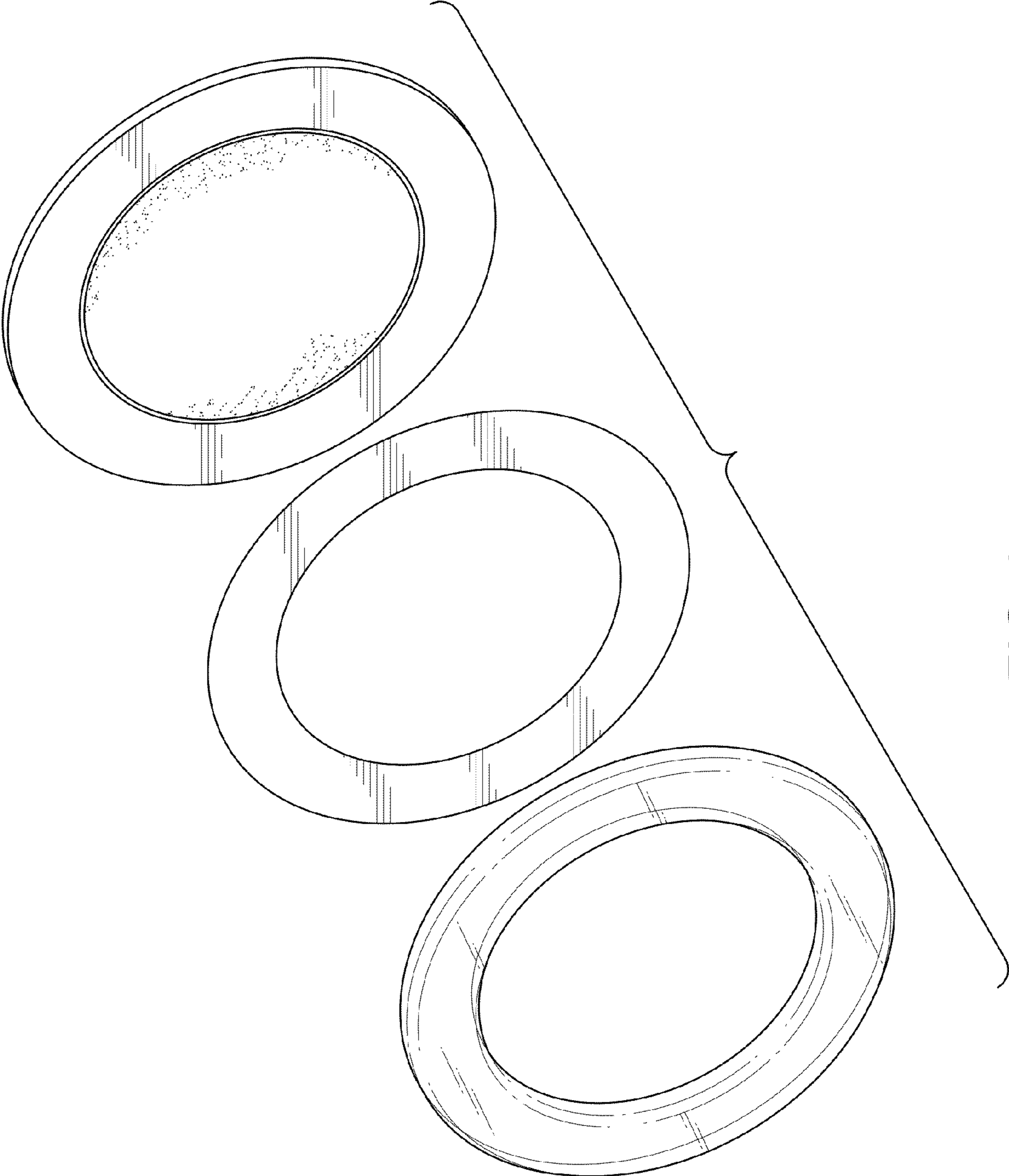


FIG.1

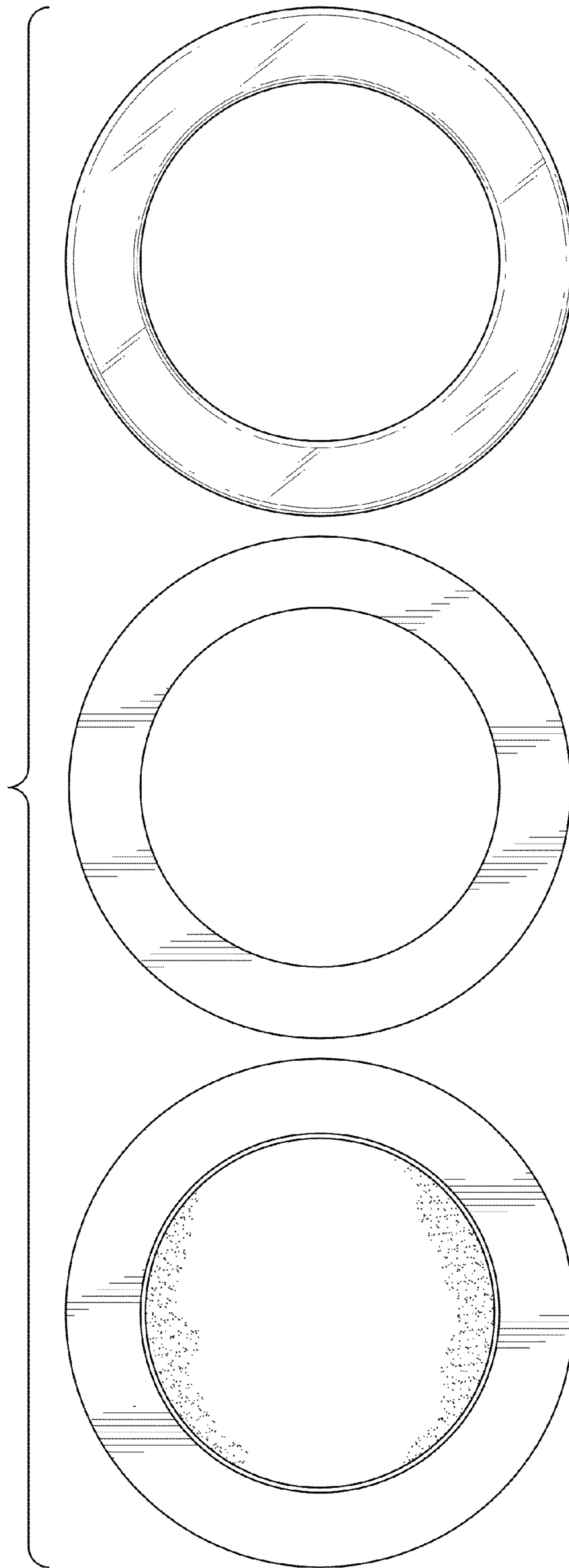


FIG. 2

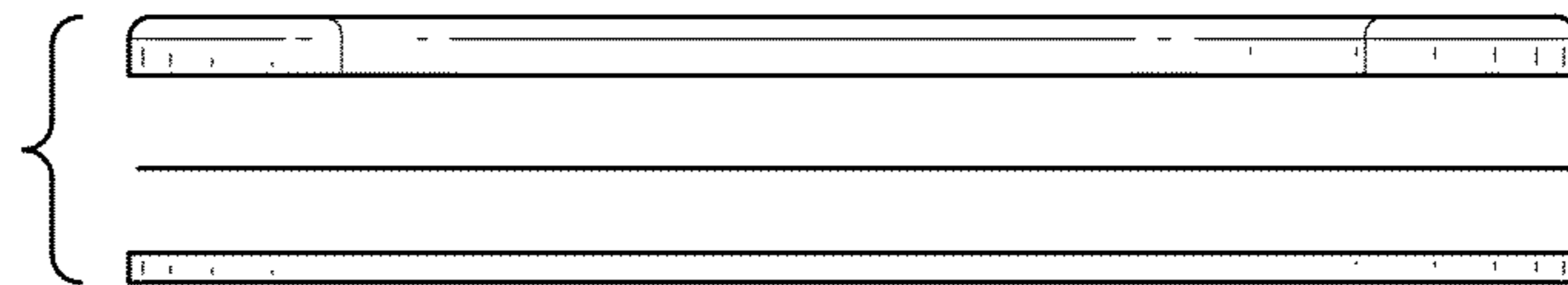


FIG. 3

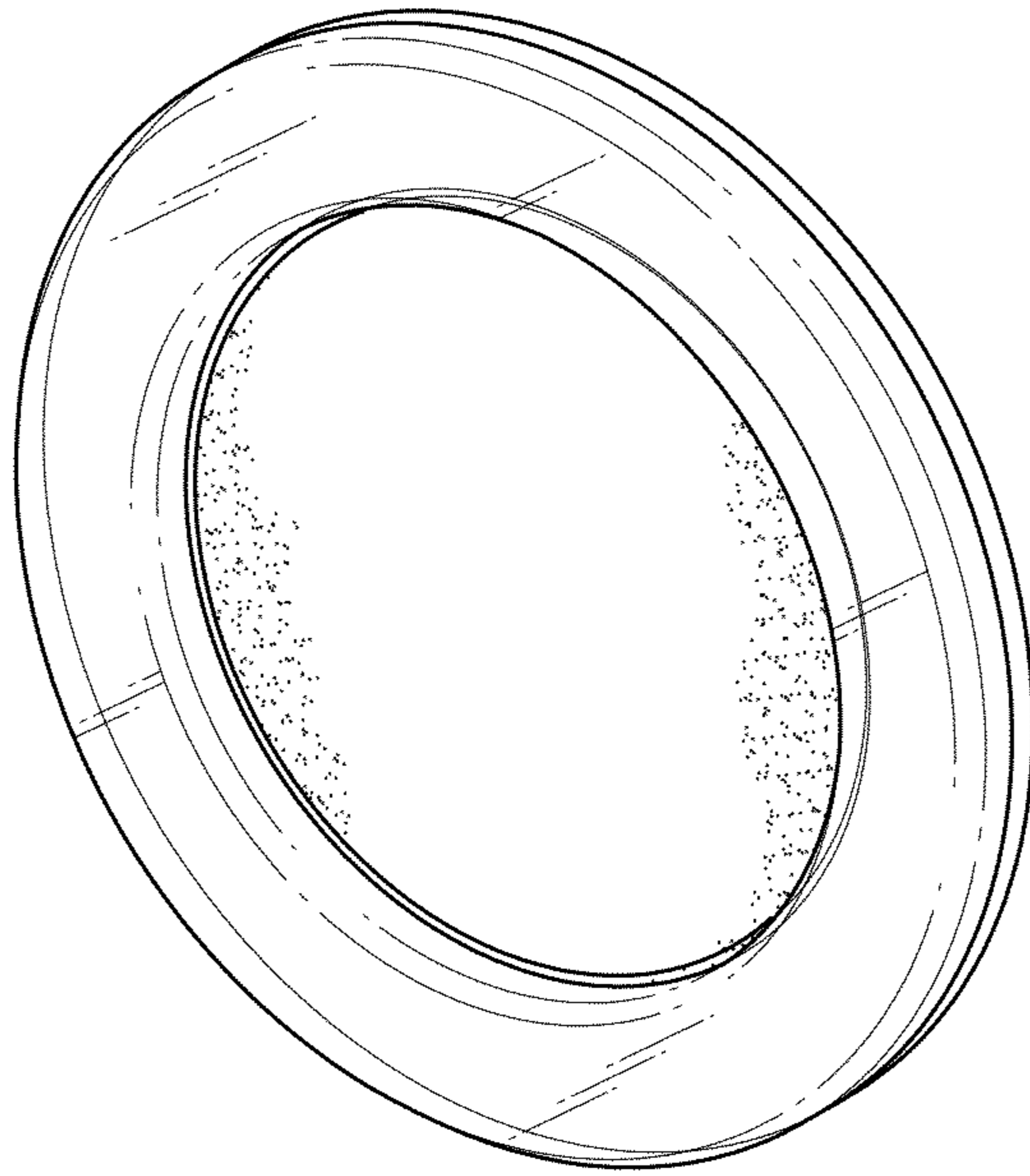


FIG.4

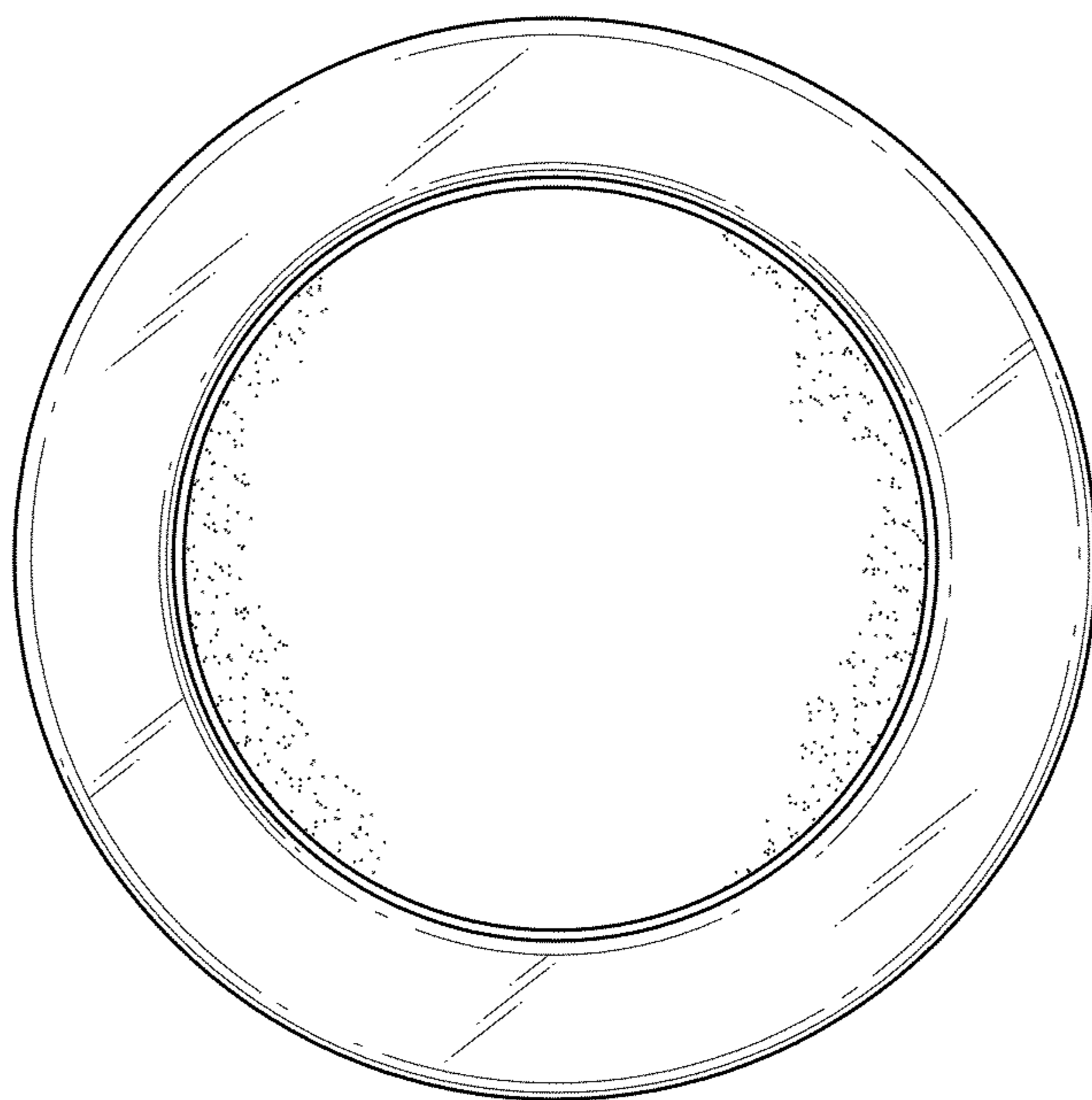


FIG. 5

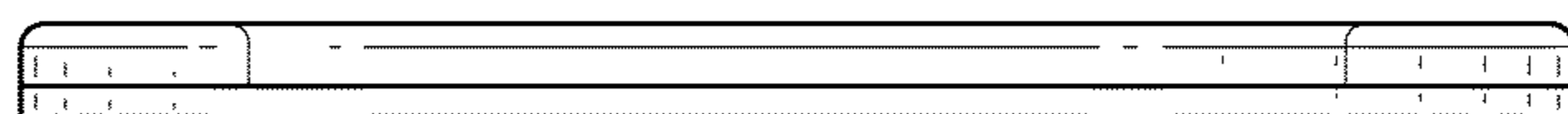


FIG. 6