



US00D712962S

(12) **United States Design Patent**
Packard et al.

(10) **Patent No.:** **US D712,962 S**

(45) **Date of Patent:** **** Sep. 9, 2014**

(54) **DISPENSER**

(71) Applicant: **3M Innovative Properties Company**,
St. Paul, MN (US)

(72) Inventors: **Joy A. Packard**, Somerset, WI (US);
Jane E. Harvey Pennaz, Roseville, MN
(US); **Emily K. Vanderheyden**, St. Paul,
MN (US); **Katlyn J. Myrvold**,
Stillwater, MN (US); **Kristopher W.**
Clover, Minnetonka, MN (US)

(73) Assignee: **3M Innovative Properties Company**,
St. Paul, MN (US)

(**) Term: **14 Years**

(21) Appl. No.: **29/476,974**

(22) Filed: **Dec. 18, 2013**

(51) **LOC (10) Cl.** **19-02**

(52) **U.S. Cl.**
USPC **D19/69**

(58) **Field of Classification Search**
USPC D19/36, 70, 69, 68; D13/133, 146;
242/588.6, 588.3, 588.2; 225/77, 6, 56,
225/69, 26, 25, 19, 11; 206/411; 156/577,
156/527, 523
See application file for complete search history.

(56) **References Cited**

U.S. PATENT DOCUMENTS

D161,072 S * 11/1950 White D19/69
D187,955 S * 5/1960 Restaino et al. D6/515

4,405,073 A * 9/1983 Salleras Escalante 227/120
D275,321 S * 8/1984 Heinzelman et al. D19/69
D275,966 S * 10/1984 Worrell D19/69
D281,315 S * 11/1985 Kjeld D13/184
D300,750 S * 4/1989 Mead D19/67
D306,612 S * 3/1990 Kahler D19/67
D338,469 S * 8/1993 Alden et al. D14/140.3
D575,346 S * 8/2008 Yuen D19/69
D630,251 S * 1/2011 Cohen et al. D19/69
D630,252 S * 1/2011 Abulaf D19/69
D671,990 S * 12/2012 Kugimiya et al. D19/69

* cited by examiner

Primary Examiner — Austin Murphy

(74) *Attorney, Agent, or Firm* — Irina Hass

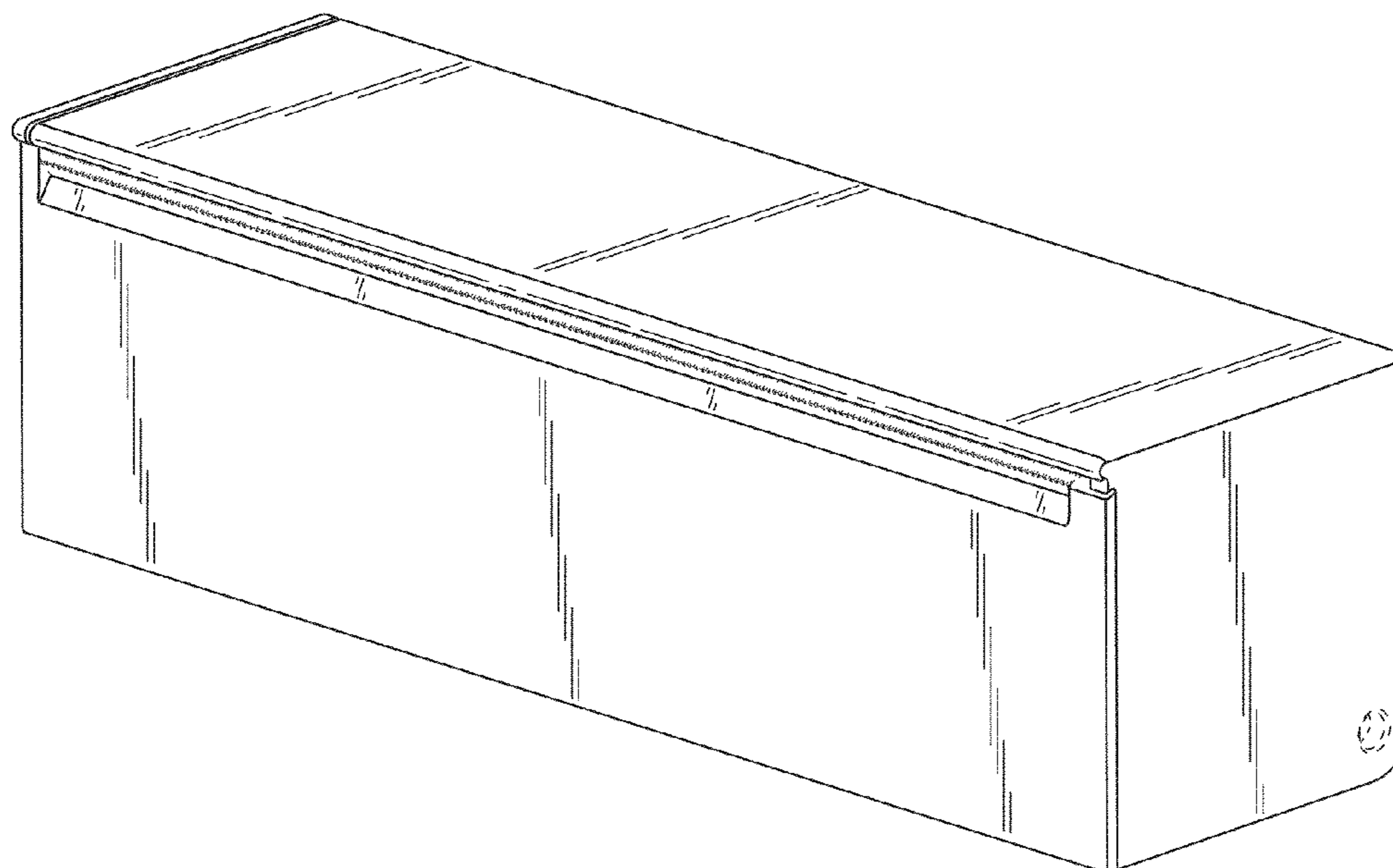
(57) **CLAIM**

The ornamental design for a dispenser, as shown and described.

DESCRIPTION

FIG. 1 is a perspective view of a dispenser showing the new design;
FIG. 2 is a front view thereof;
FIG. 3 is a rear view thereof,
FIG. 4 is a top view thereof;
FIG. 5 is a bottom view thereof;
FIG. 6 is a right side view thereof; and,
FIG. 7 is a left side view thereof.
The portions of the dispenser in Figures shown in broken lines are included to show features that form no part of the claimed design.

1 Claim, 2 Drawing Sheets



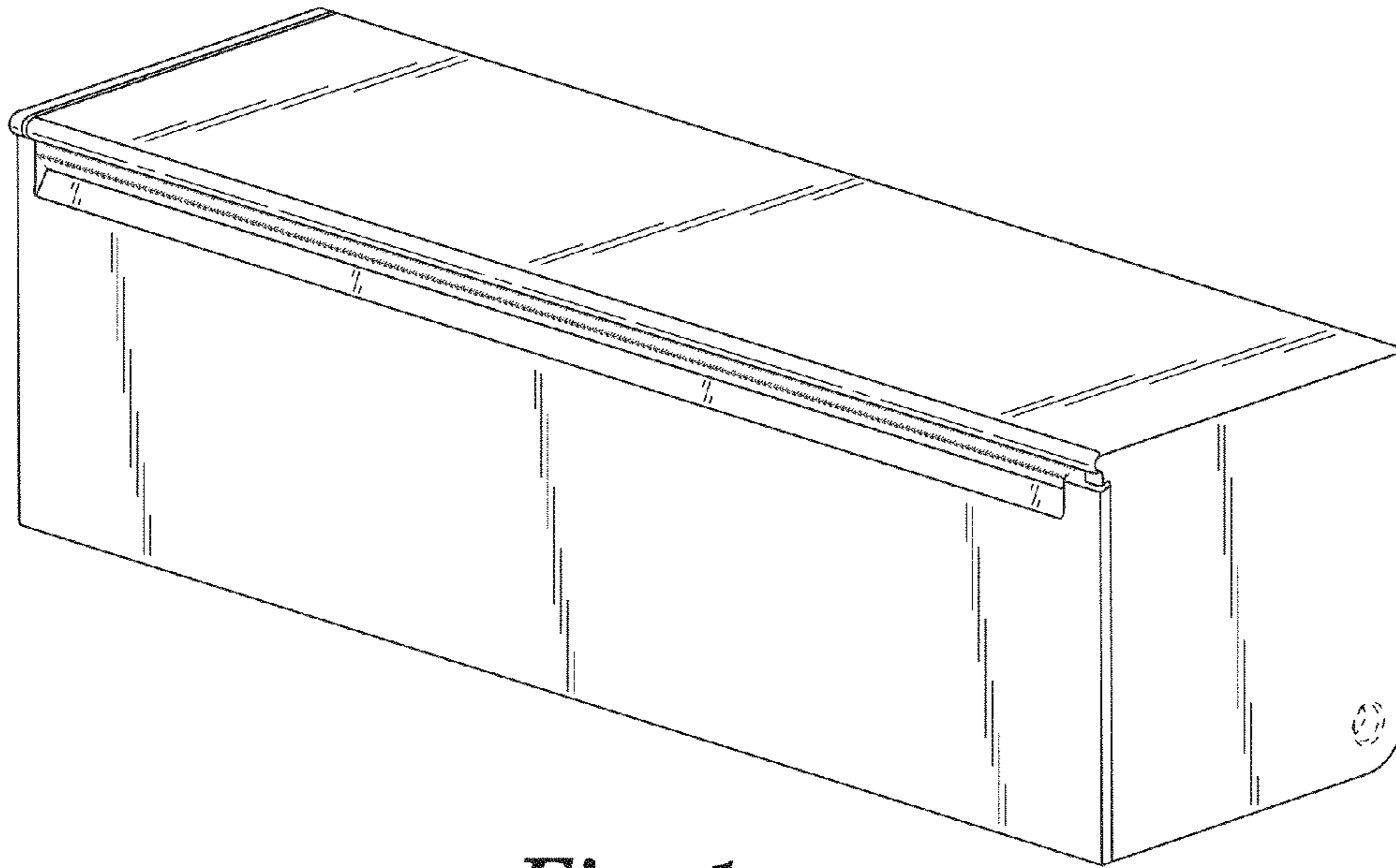


Fig. 1

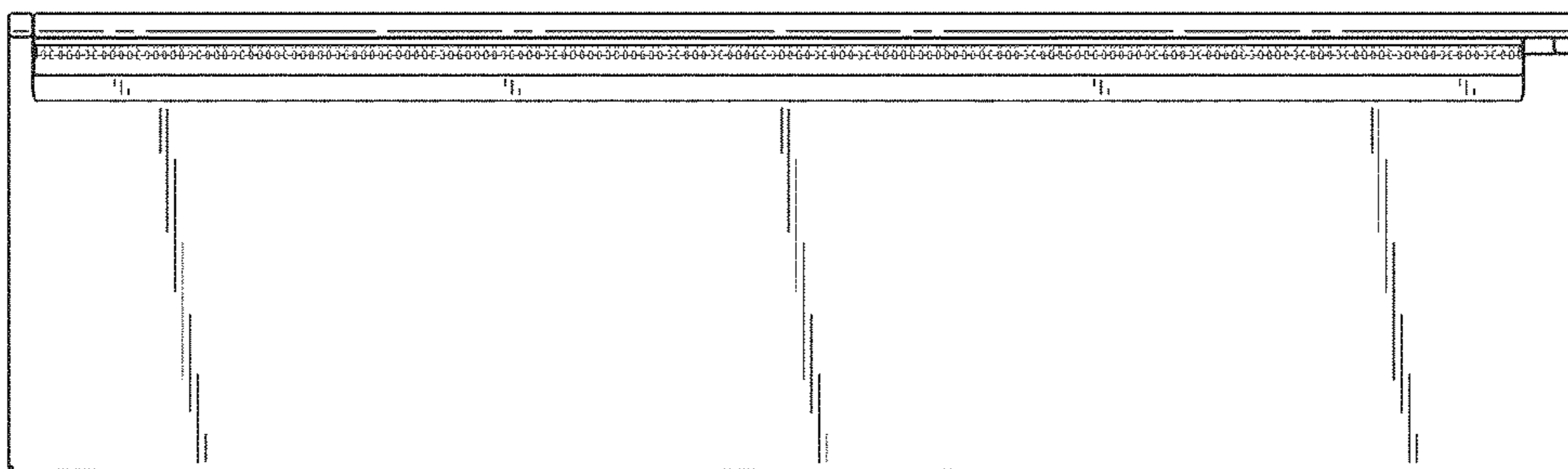


Fig. 2

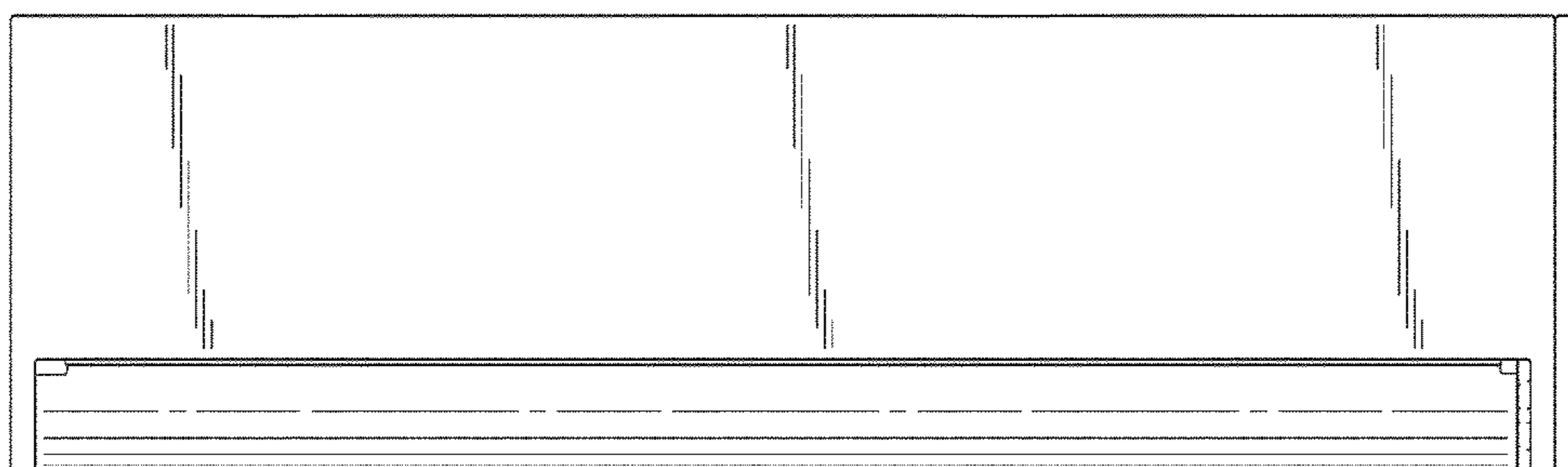


Fig. 3

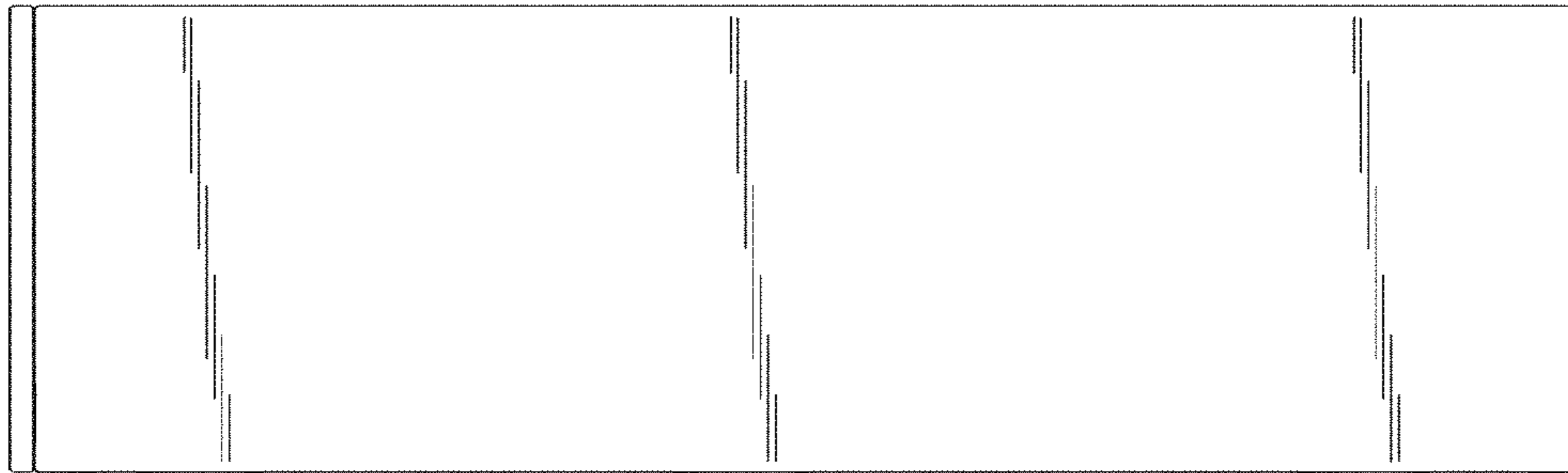


Fig. 4

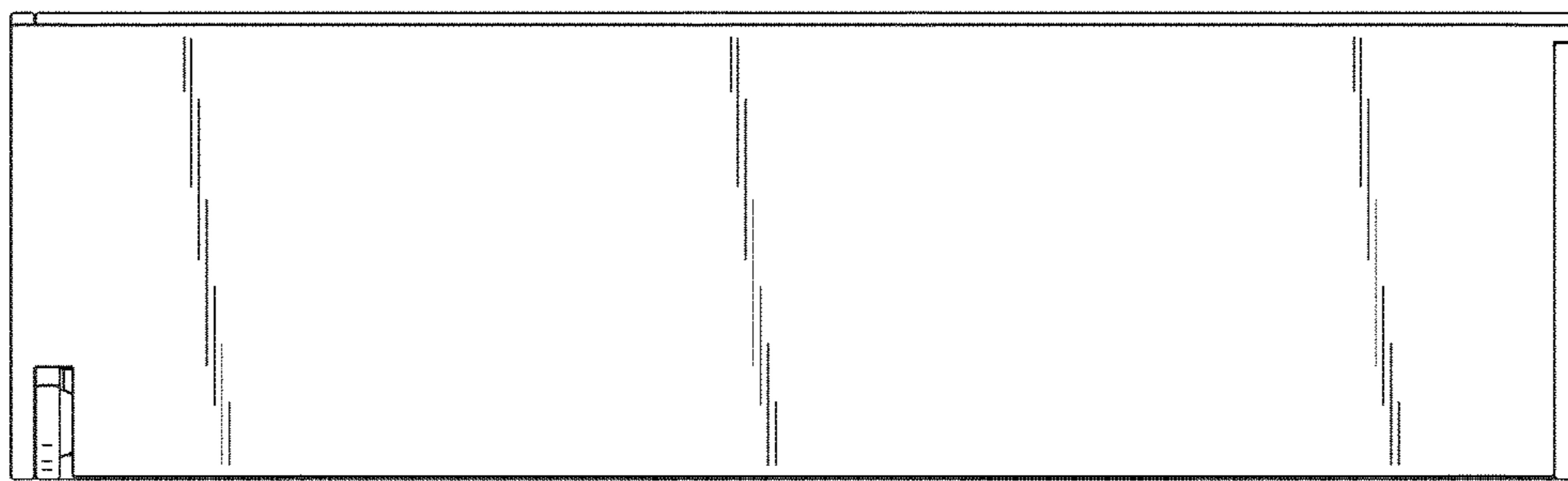


Fig. 5

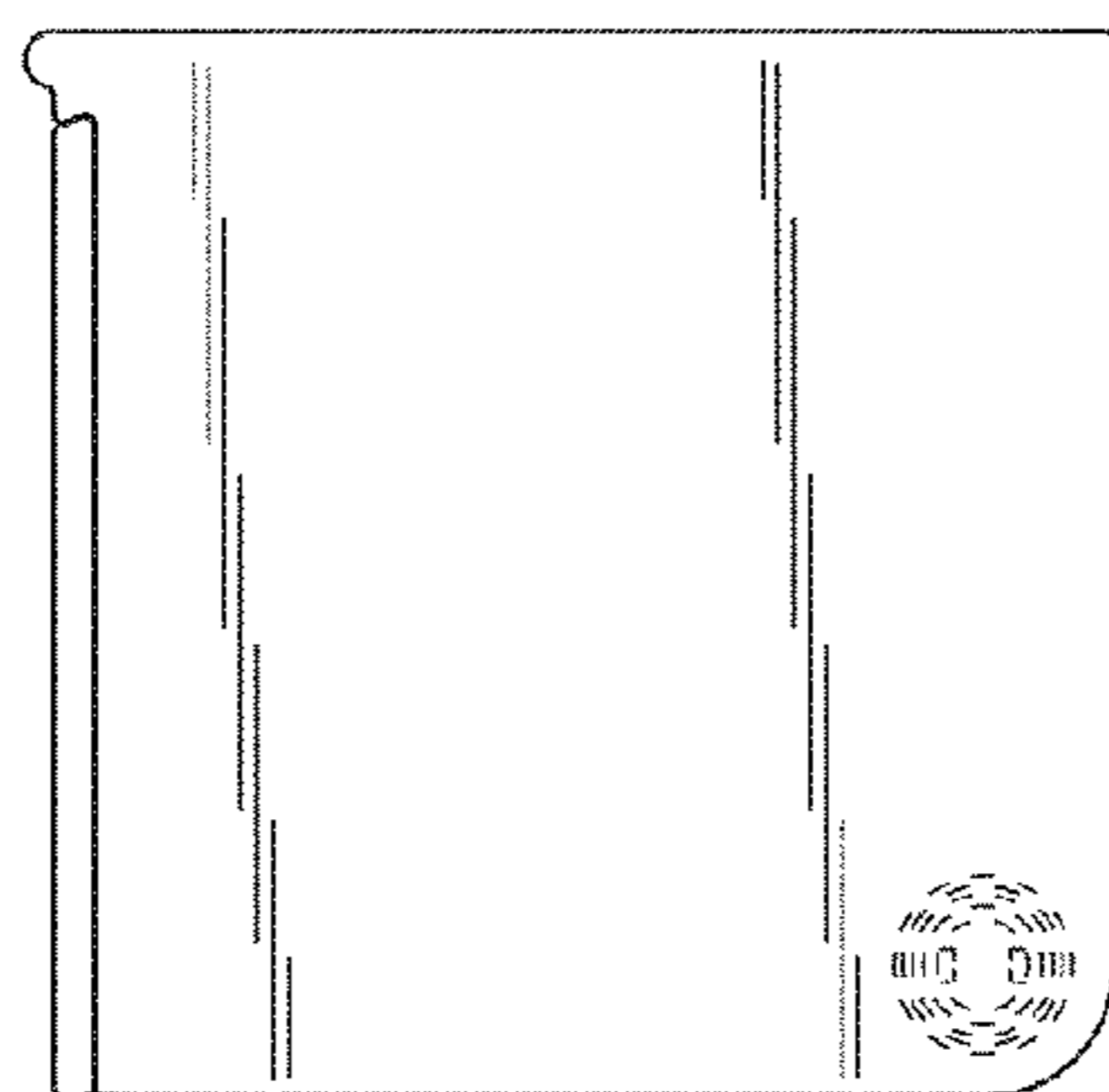


Fig. 6

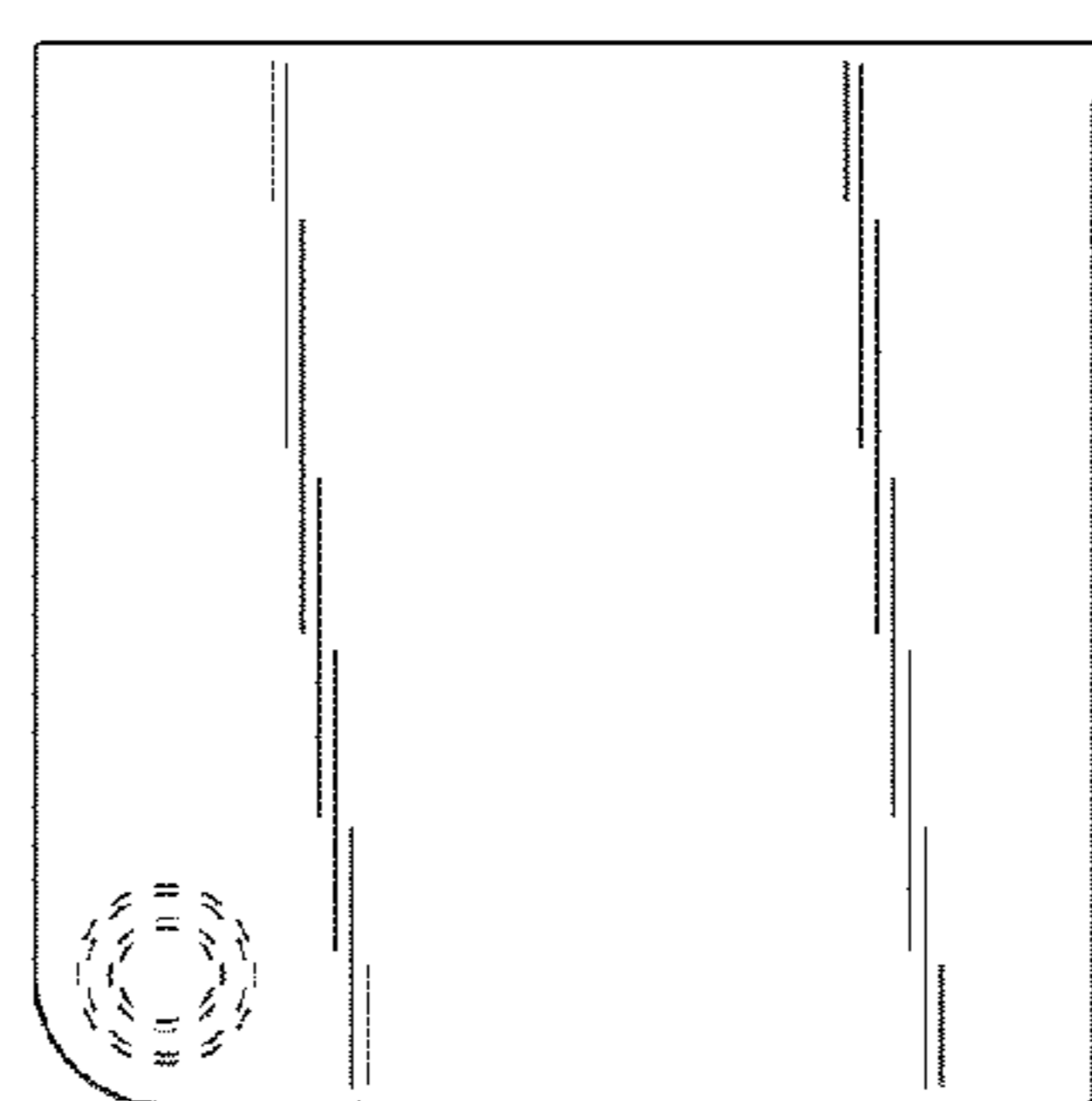


Fig. 7