



US00D712957S

(12) **United States Design Patent**  
**Kessler et al.**

(10) **Patent No.:** **US D712,957 S**  
(45) **Date of Patent:** **\*\* Sep. 9, 2014**

(54) **ADJUSTABLE ANGLE PLATE**

(71) Applicant: **Kessler Crane, Inc.**, Bremen, IN (US)

(72) Inventors: **Eric Kessler**, Bremen, IN (US); **Kevin P. Mott**, Bremen, IN (US)

(73) Assignee: **Kessler Crane, Inc.**, Bremen, IN (US)

(\*\*) Term: **14 Years**

(21) Appl. No.: **29/434,241**

(22) Filed: **Oct. 11, 2012**

(51) **LOC (10) Cl.** ..... **16-05**

(52) **U.S. Cl.**  
USPC ..... **D16/245**

(58) **Field of Classification Search**

USPC ..... D8/355; D16/221, 235, 237, 242, 244,  
D16/245; 248/121, 127, 176.1, 177.1,  
248/187.1, 278.1, 346.01, 346.03, 523;  
352/243; 396/419, 421, 428

See application file for complete search history.

(56) **References Cited**

**U.S. PATENT DOCUMENTS**

2,614,780	A *	10/1952	Buff	.....	248/177.1
D515,910	S *	2/2006	Gates et al.	.....	D8/354
D559,657	S *	1/2008	Wohlford et al.	.....	D8/354
D575,321	S *	8/2008	van Kuijk	.....	D16/235
D607,038	S *	12/2009	Carlesso	.....	D16/245
2005/0194508	A1 *	9/2005	Furlong	.....	248/346.01

**OTHER PUBLICATIONS**

<https://forum.solidworks.com/message/298903> Posted on Jun. 21, 2012 3½ months prior to application.\*

\* cited by examiner

*Primary Examiner* — Susan Bennett Hattan

*Assistant Examiner* — Leanne Was

(74) *Attorney, Agent, or Firm* — Botkin & Hall, LLP

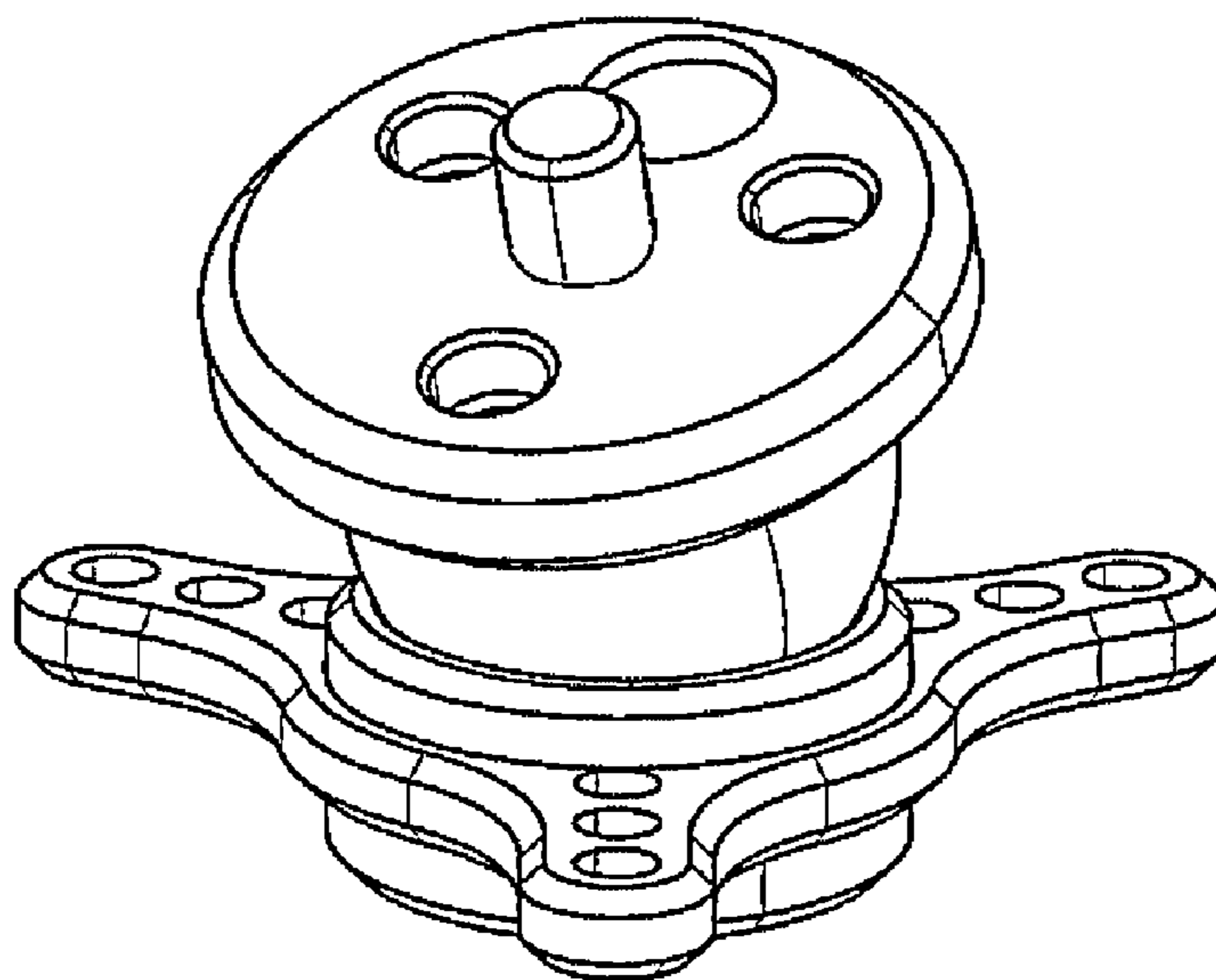
(57) **CLAIM**

The ornamental design for an adjustable angle plate, as shown and described.

**DESCRIPTION**

FIG. 1 is a top perspective view of an adjustable angle plate; FIG. 2 is a bottom perspective view of the adjustable angle plate of FIG. 1; FIG. 3 is a bottom view of the adjustable angle plate of FIG. 1; FIG. 4 is a top view of the adjustable angle plate of FIG. 1; FIG. 5 is a back view of the adjustable angle plate of FIG. 1; FIG. 6 is a left side view of the adjustable angle plate of FIG. 1; FIG. 7 is a front view of the adjustable angle plate of FIG. 1; and, FIG. 8 is a right side view of the adjustable angle plate of FIG. 1.

**1 Claim, 3 Drawing Sheets**



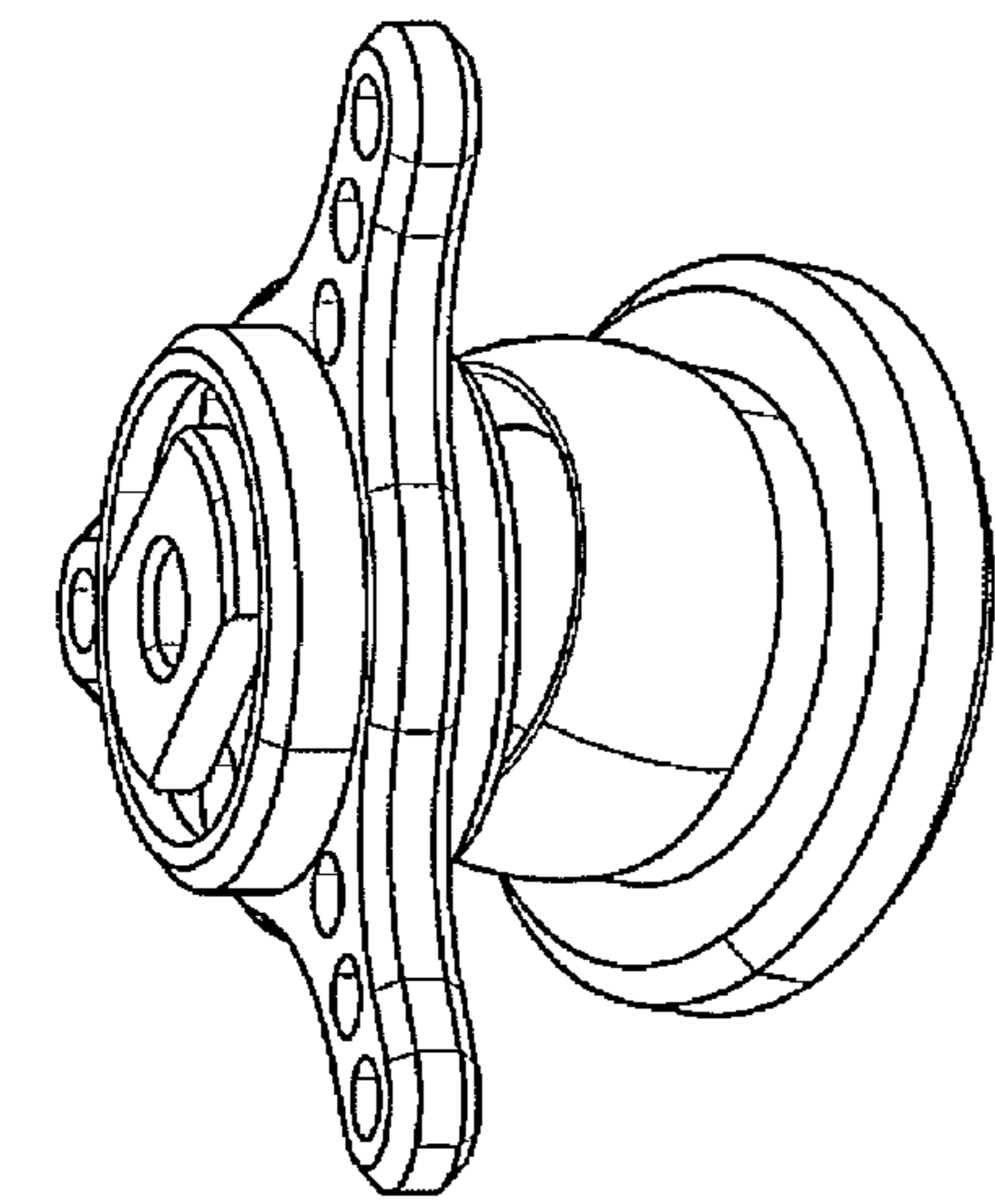


FIG. 1

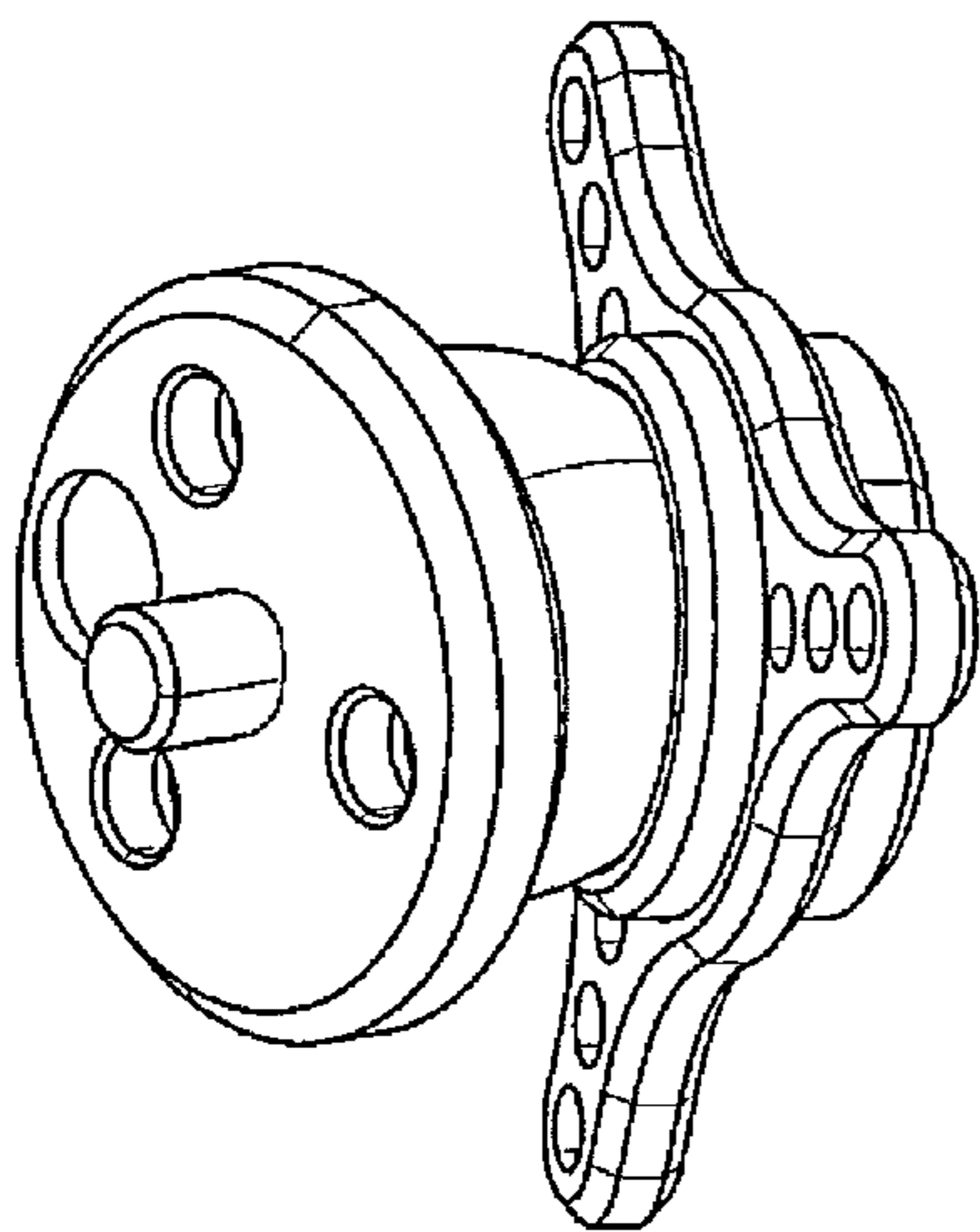


FIG. 2

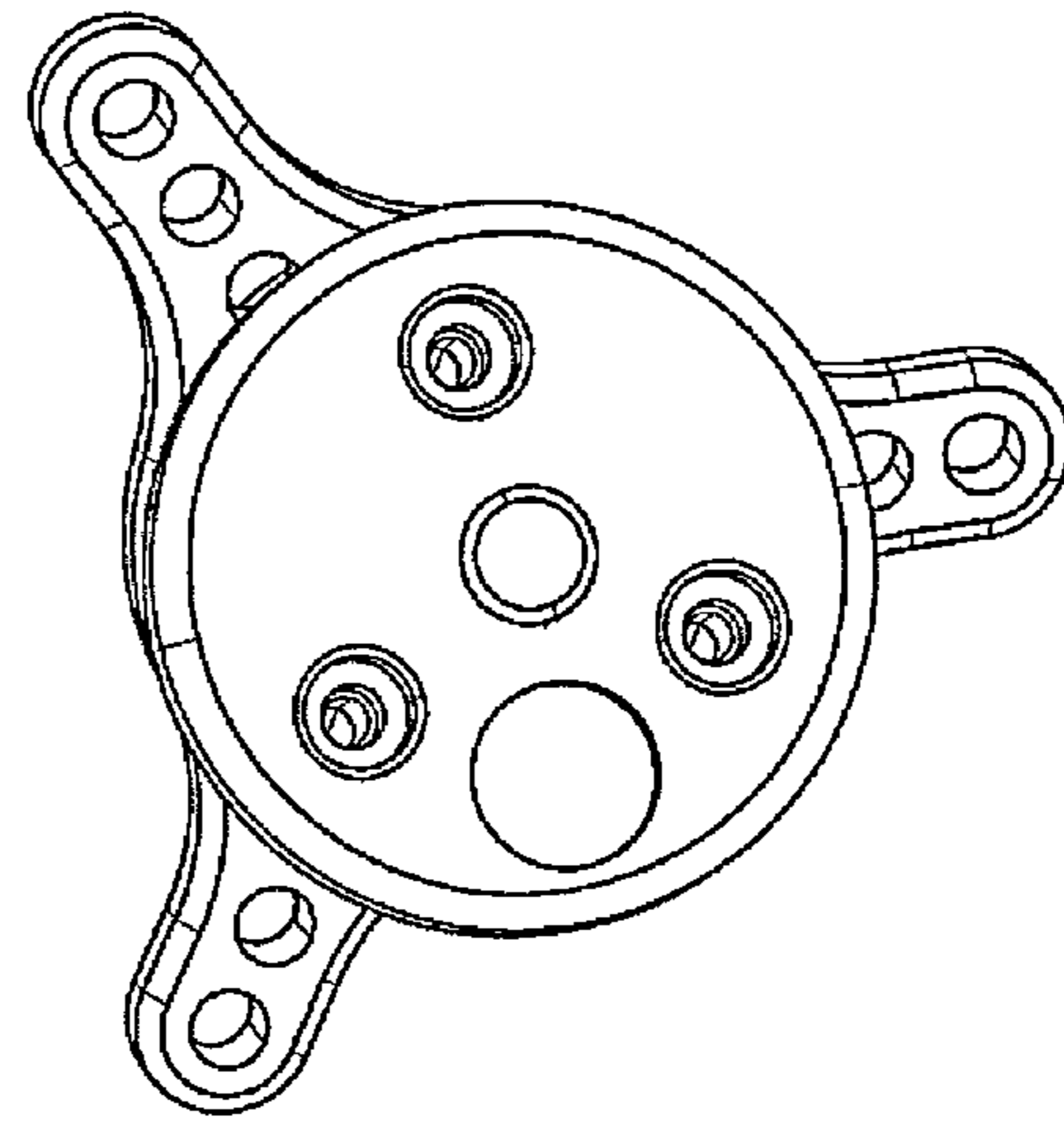


FIG. 3

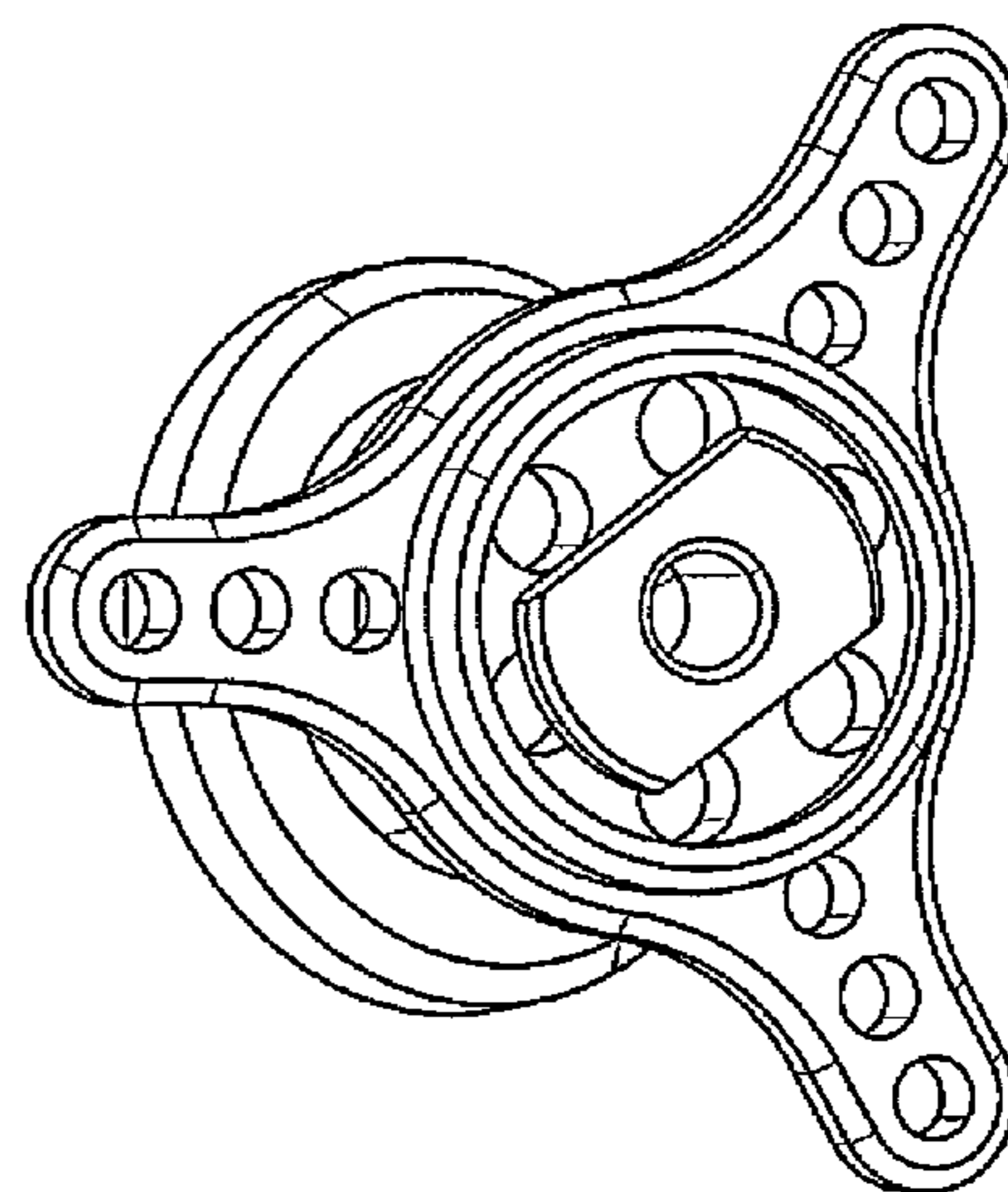


FIG. 4

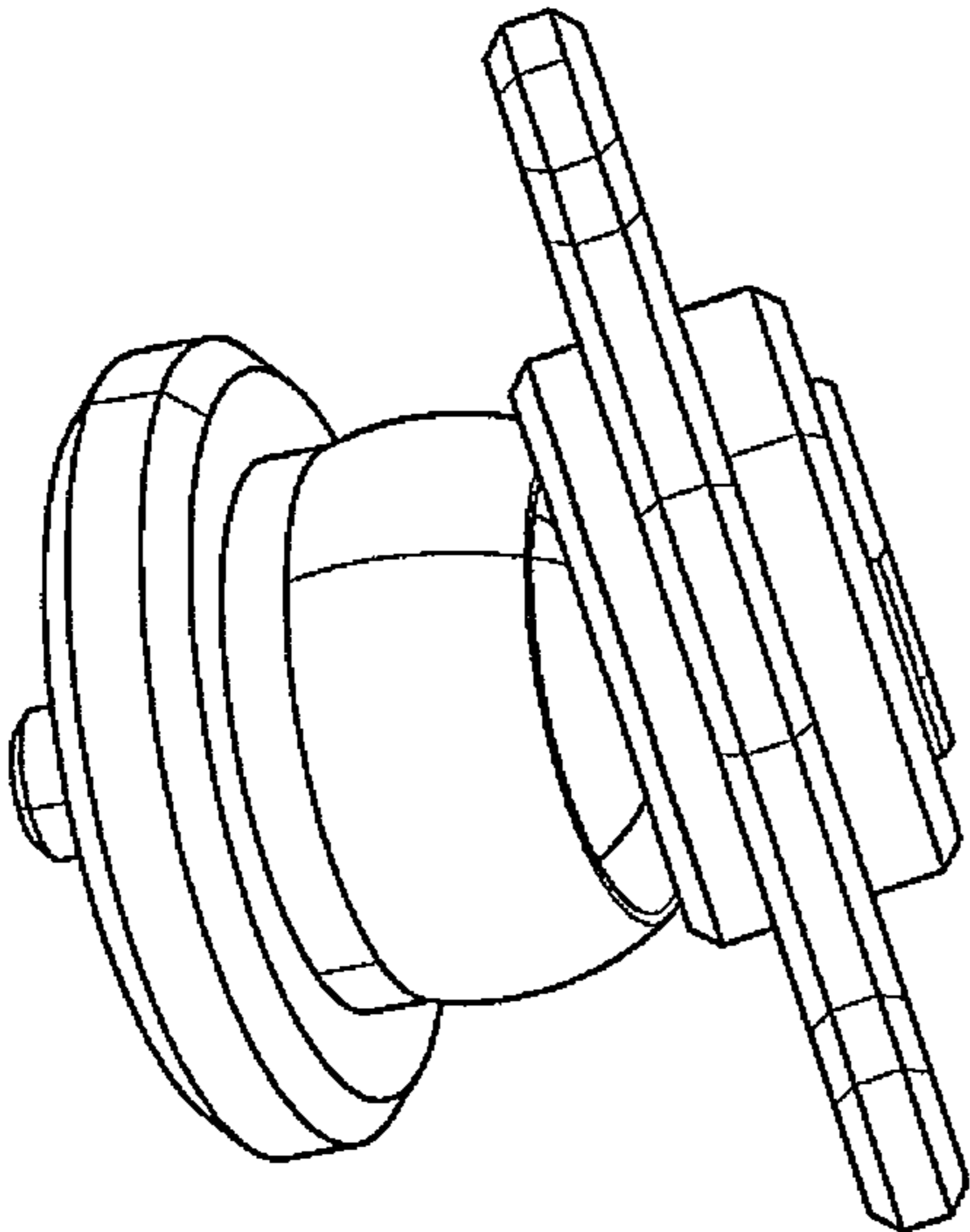


FIG.5

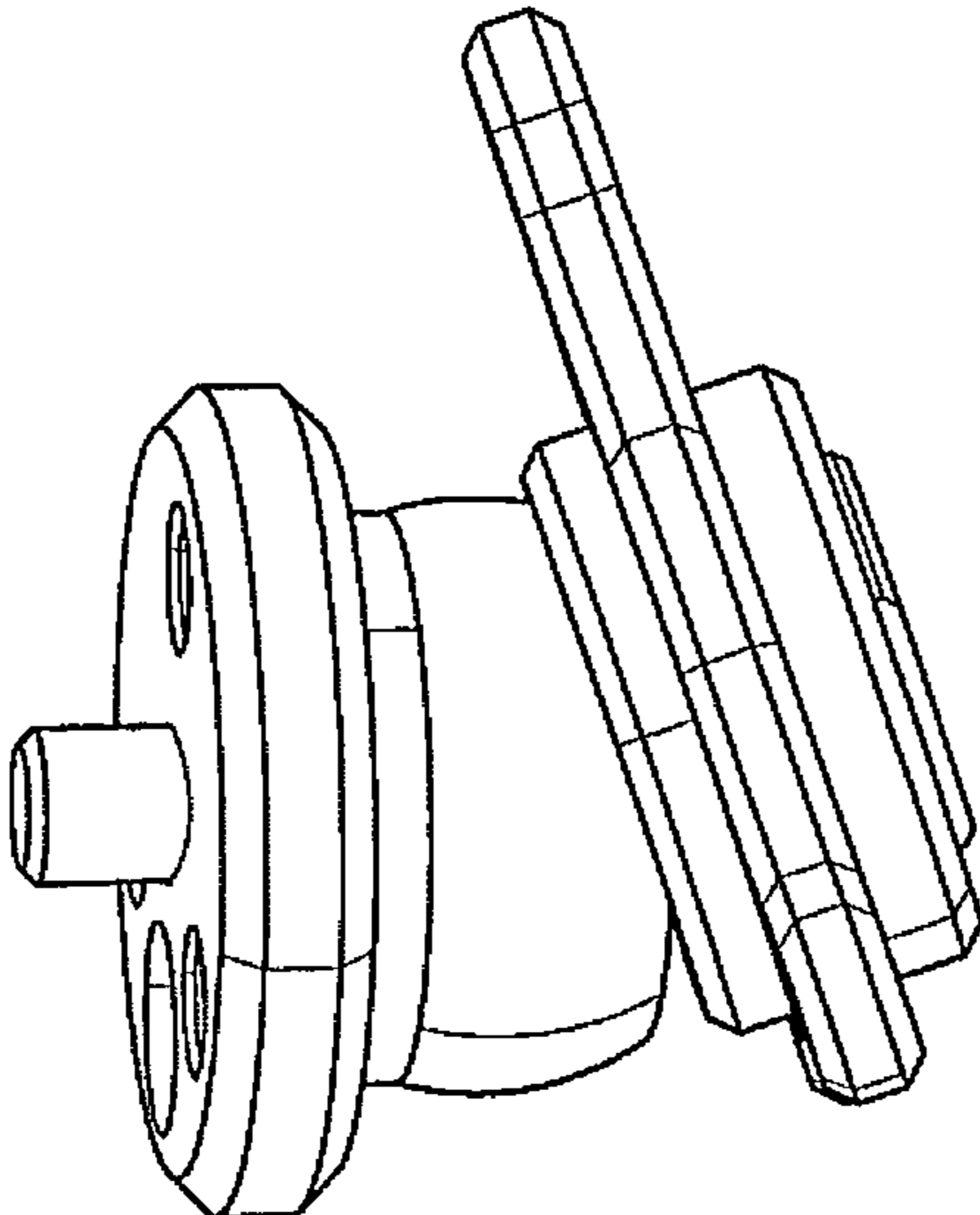


FIG.6

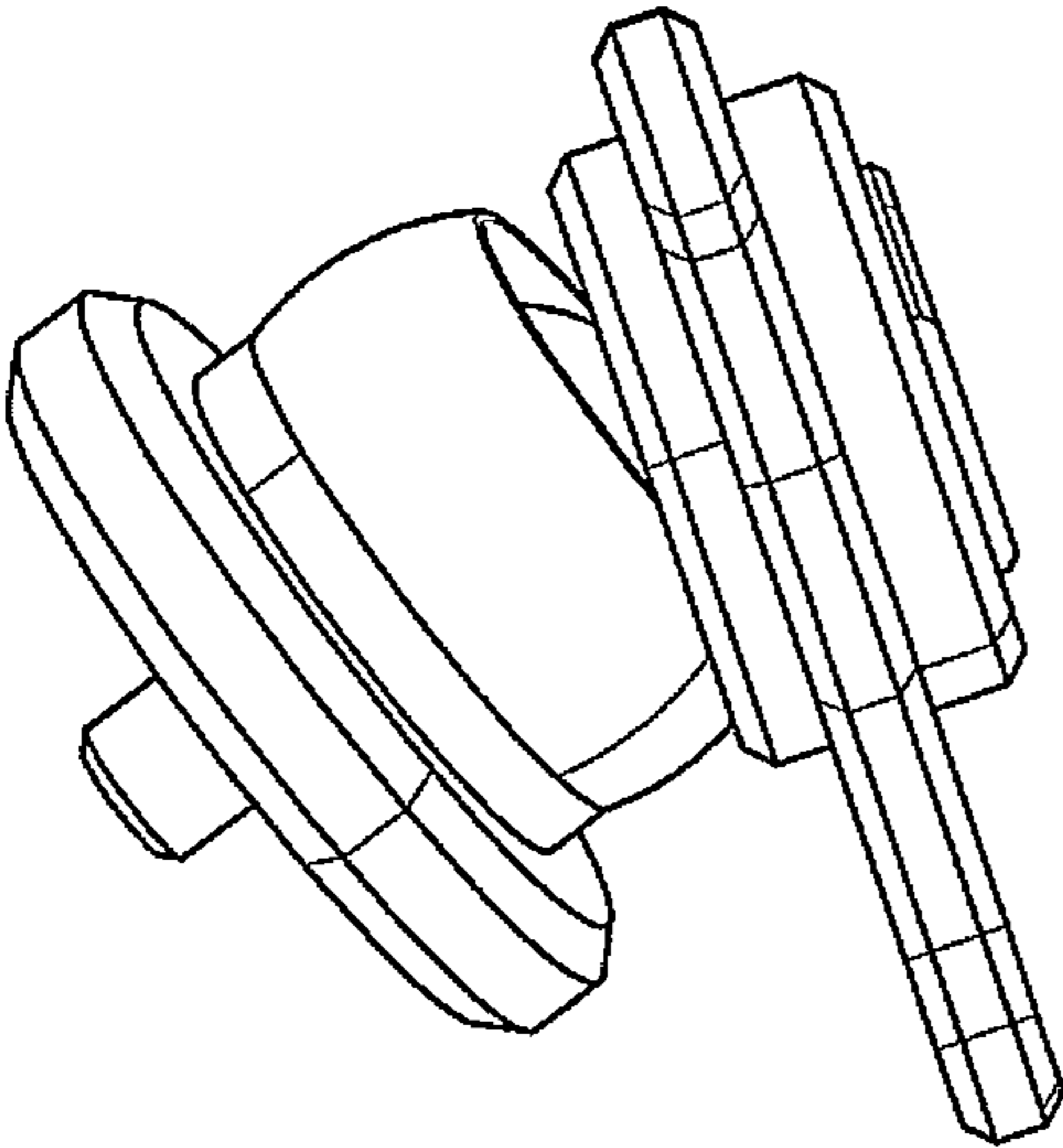


FIG.8

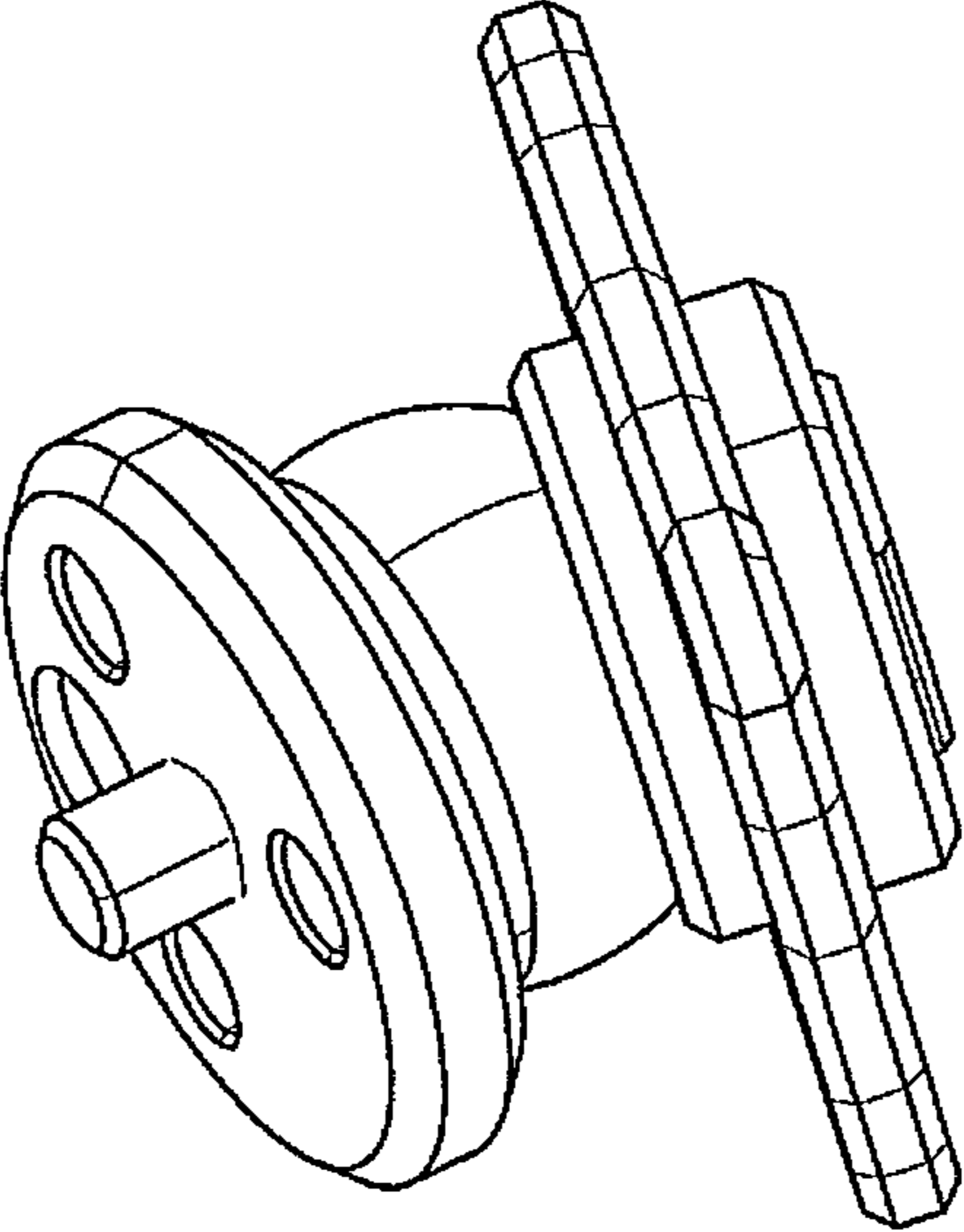


FIG.7