



US00D712955S

(12) **United States Design Patent**
Hrbacek

(10) **Patent No.:** **US D712,955 S**

(45) **Date of Patent:** **** Sep. 9, 2014**

(54) **PORTABLE POSITIONING DEVICE**

(71) Applicant: **Kamil Hrbacek**, Praha 9-Vysocany
(CZ)

(72) Inventor: **Kamil Hrbacek**, Praha 9-Vysocany
(CZ)

(**) Term: **14 Years**

(21) Appl. No.: **29/448,226**

(22) Filed: **Mar. 11, 2013**

(30) **Foreign Application Priority Data**

Sep. 10, 2012 (EM) 002101089-0001

(51) **LOC (10) Cl.** **16-05**

(52) **U.S. Cl.**
USPC **D16/237**

(58) **Field of Classification Search**
USPC D16/134, 136, 200, 202, 218, 219, 237,
D16/238, 239, 242, 245, 250; 348/373, 374;
362/3, 16-18, 182, 552; 396/419, 540,
396/541; D8/323, 331, 349, 354; D26/118;
D3/219, 267-278; D9/435, 445, 453,
D9/454

See application file for complete search history.

(56) **References Cited**

U.S. PATENT DOCUMENTS

3,836,986 A *	9/1974	Kawazoe	248/163.1
D244,393 S *	5/1977	Collica et al.	D99/28
D305,545 S *	1/1990	Hopkins	D16/237
D322,223 S *	12/1991	Moffet et al.	D9/448
D453,323 S *	2/2002	Conrad	D13/154
D499,552 S *	12/2004	Nissanoff et al.	D3/302
D603,552 S *	11/2009	Kampe	D26/88
D695,138 S *	12/2013	Ball	D9/772
D701,763 S *	4/2014	Chur	D9/435

* cited by examiner

Primary Examiner — Robert M Spear

Assistant Examiner — Marissa Cash

(74) *Attorney, Agent, or Firm* — Hovey Williams LLP

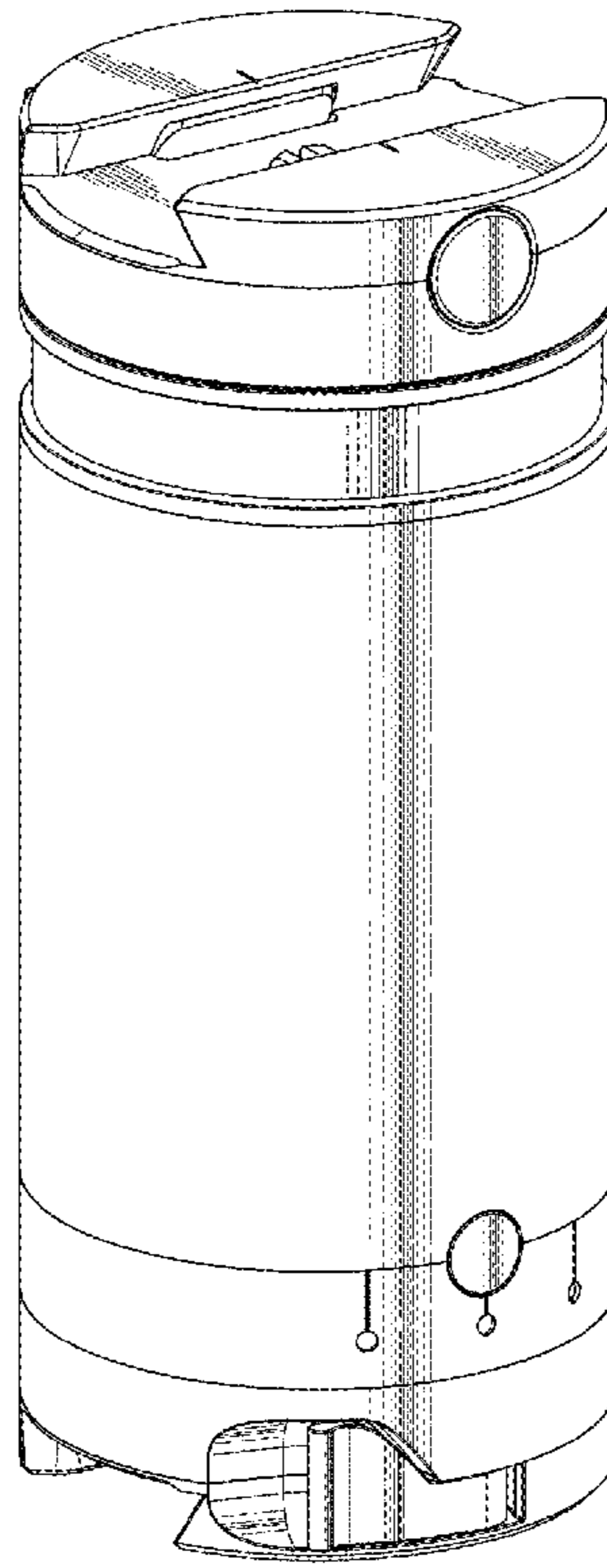
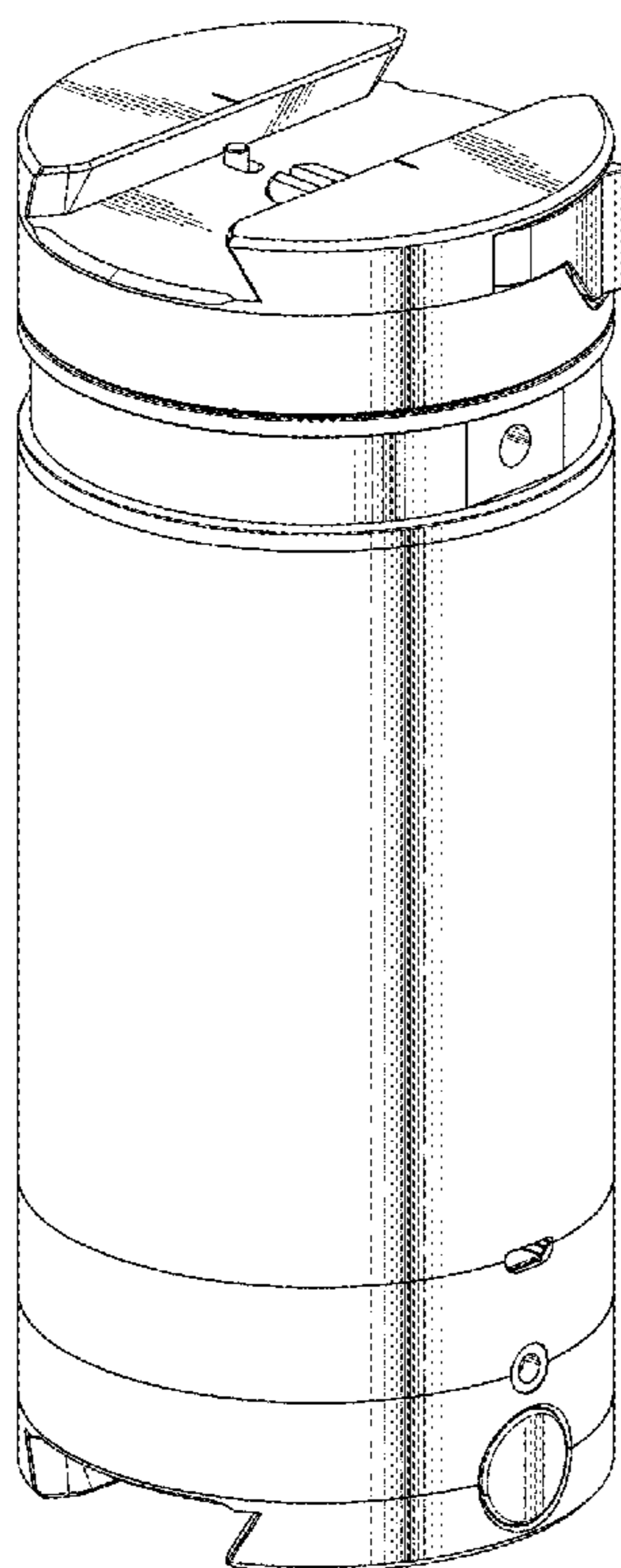
(57) **CLAIM**

The ornamental design for a portable positioning device, as shown and described.

DESCRIPTION

FIG. 1 is a top right front isometric view;
FIG. 2 is a top left rear isometric view;
FIG. 3 is a left side elevational view;
FIG. 4 is a top plan view;
FIG. 5 is a bottom view;
FIG. 6 is a front elevational view;
FIG. 7 is a rear elevational view; and,
FIG. 8 is a right side elevational view.

1 Claim, 3 Drawing Sheets



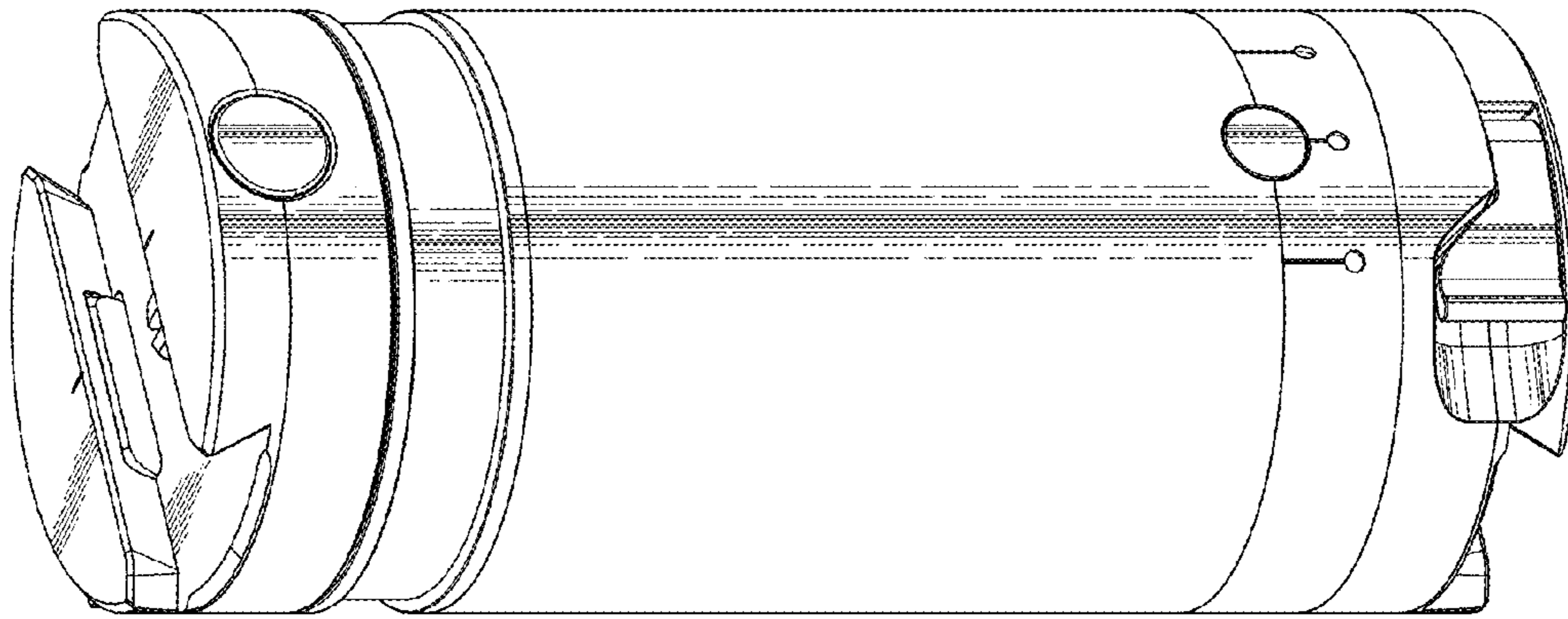


Fig. 2.

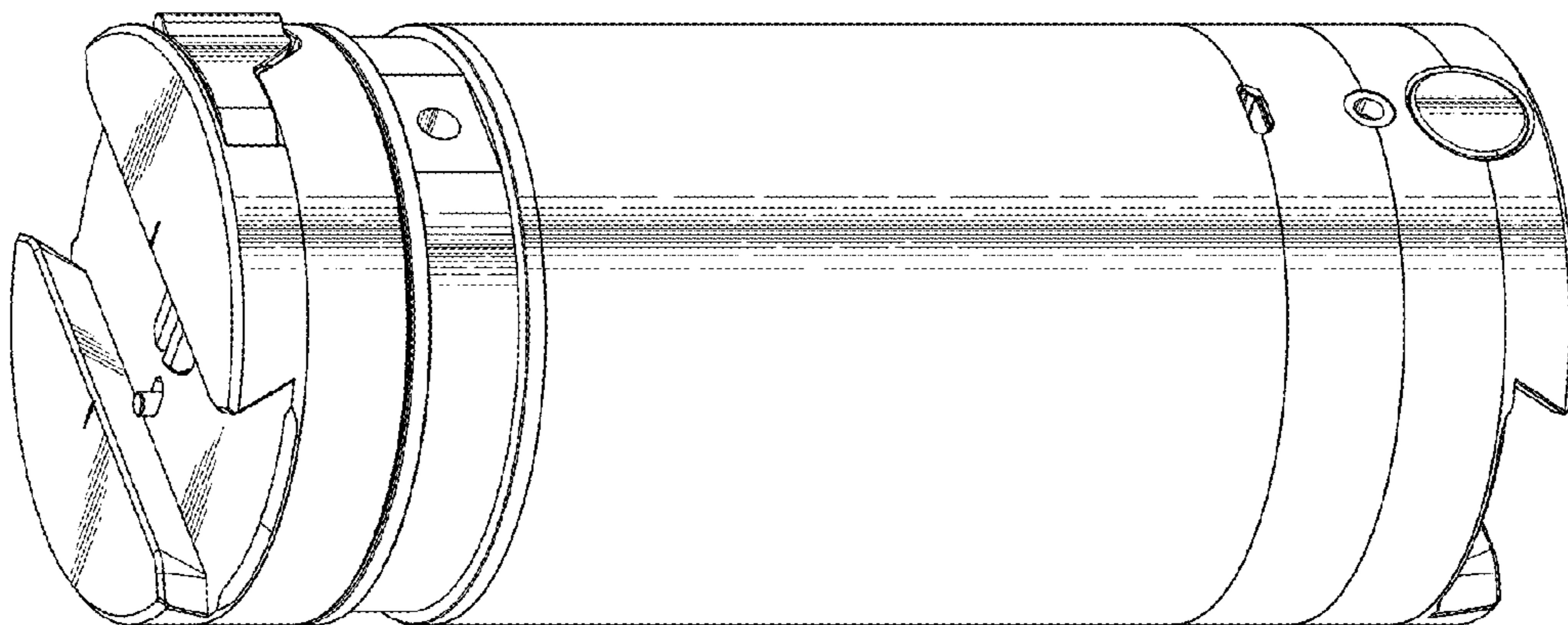


Fig. 1.

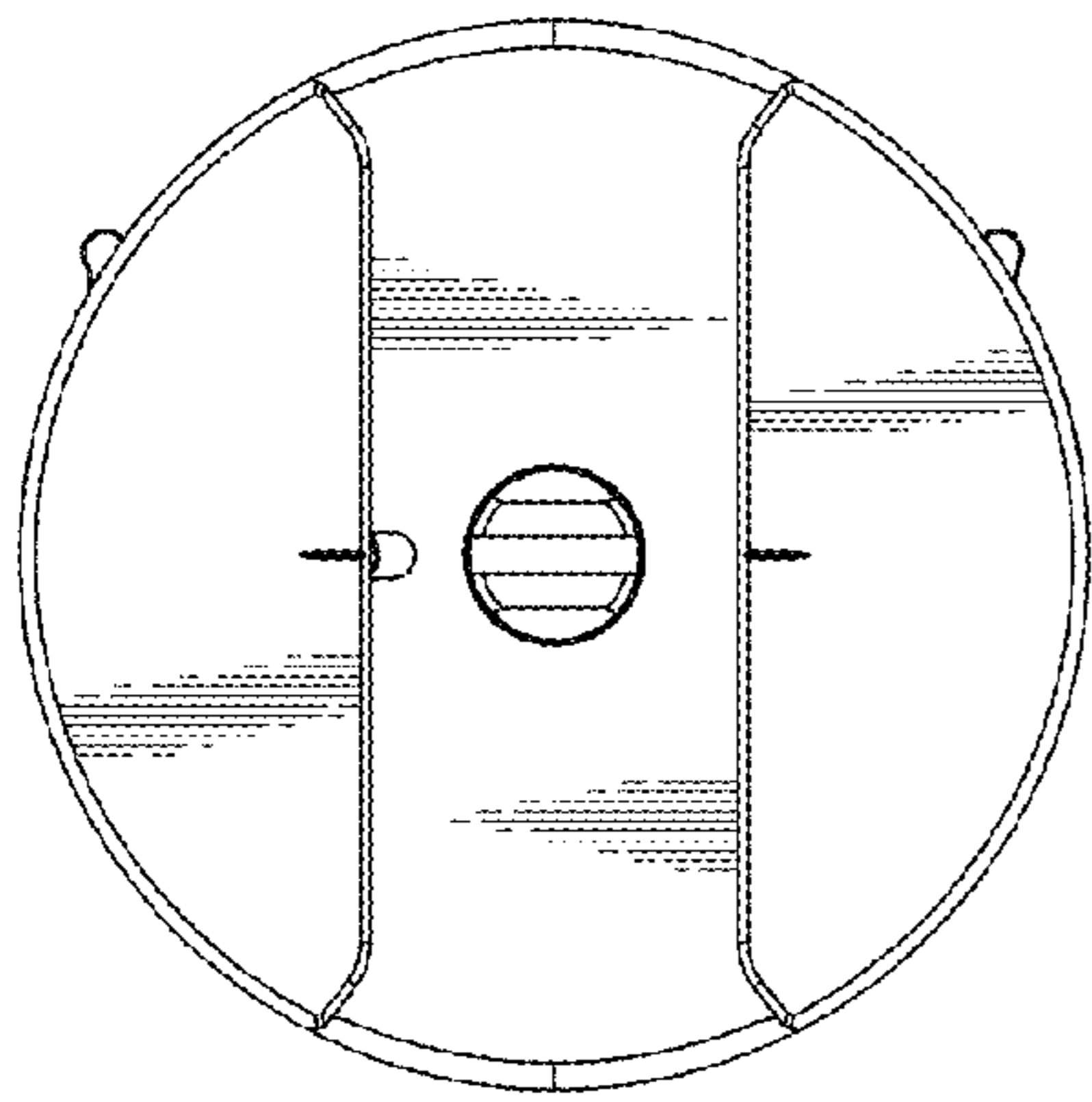


Fig. 4.

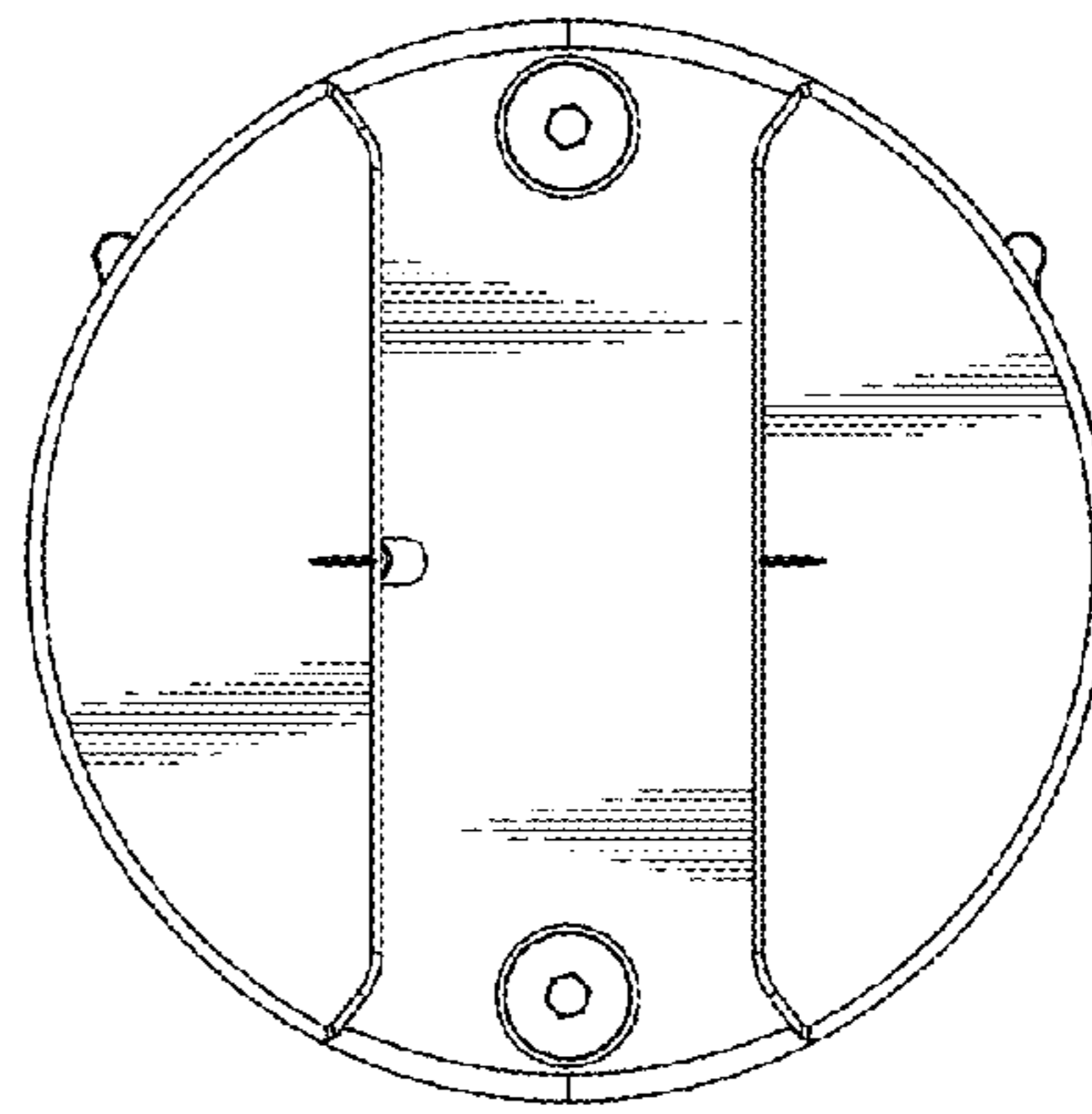


Fig. 5.

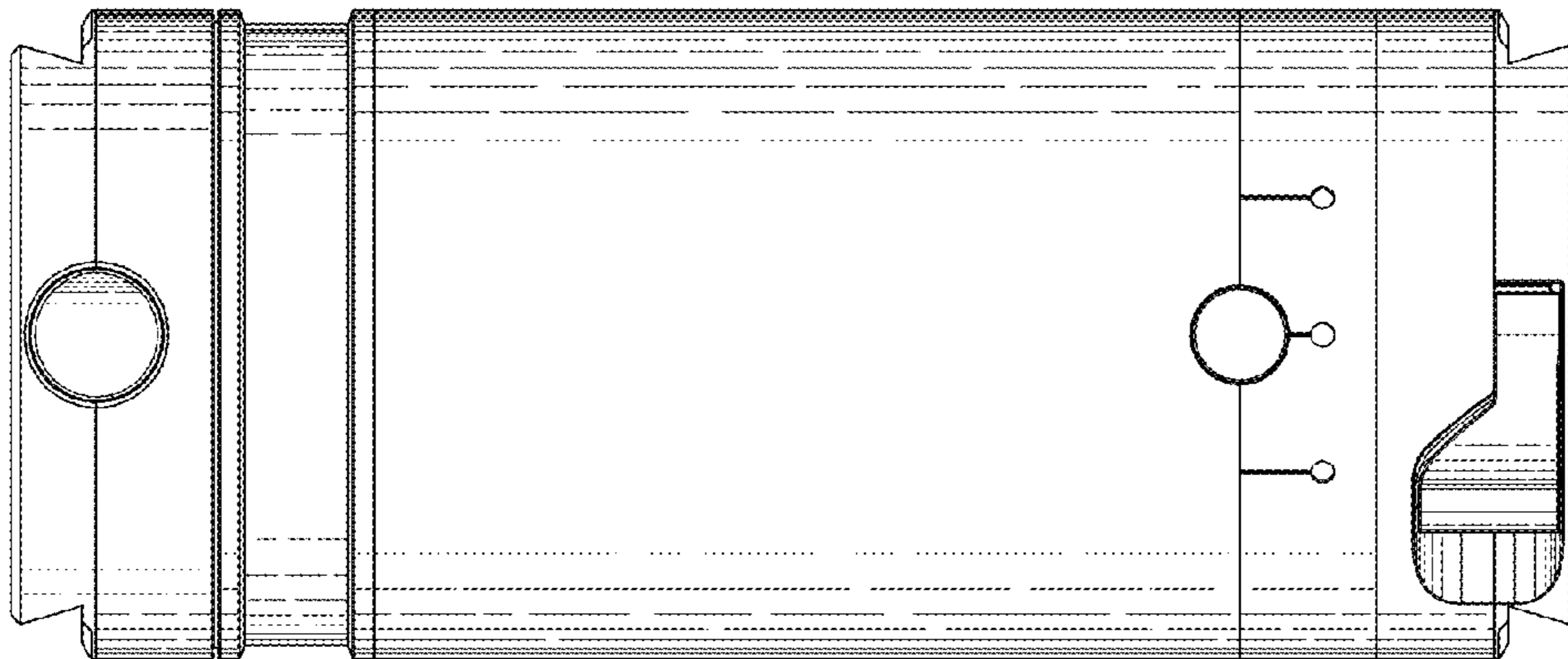


Fig. 3.



Fig. 8.

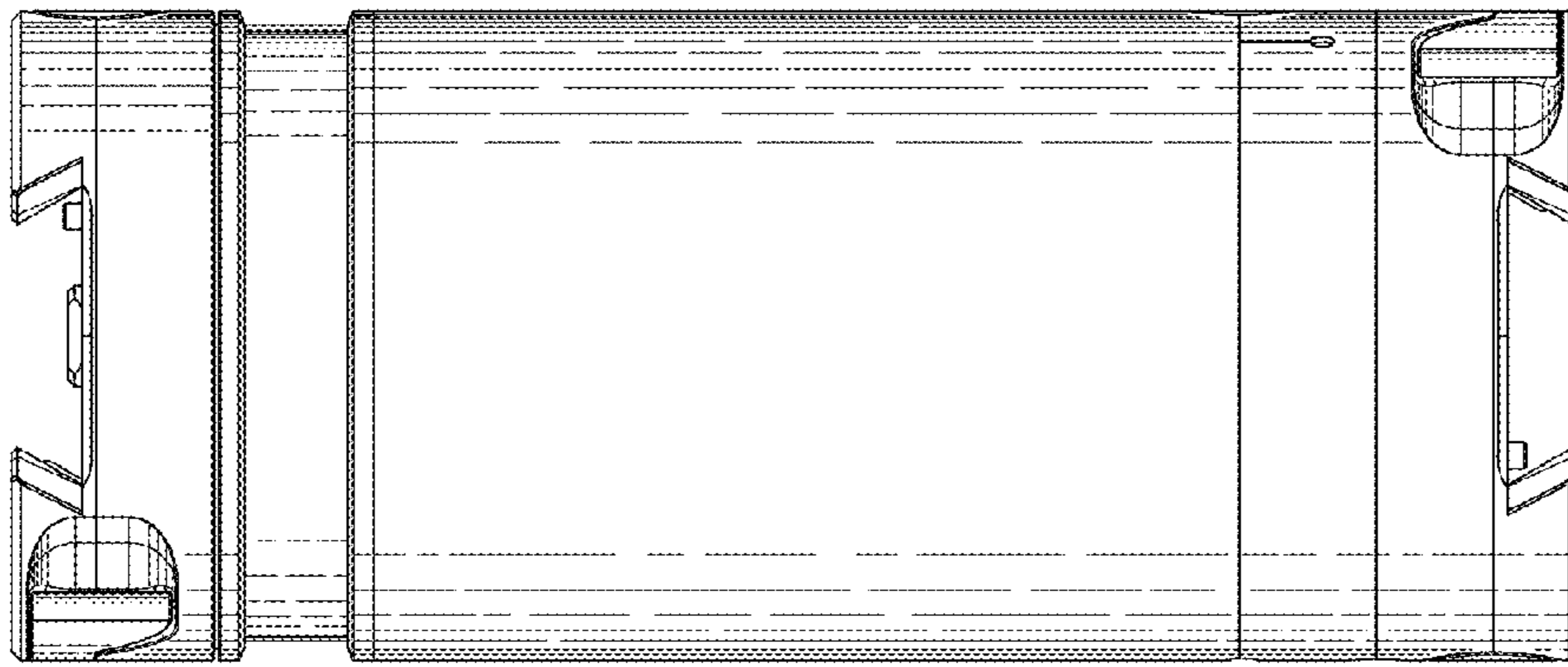


Fig. 7.

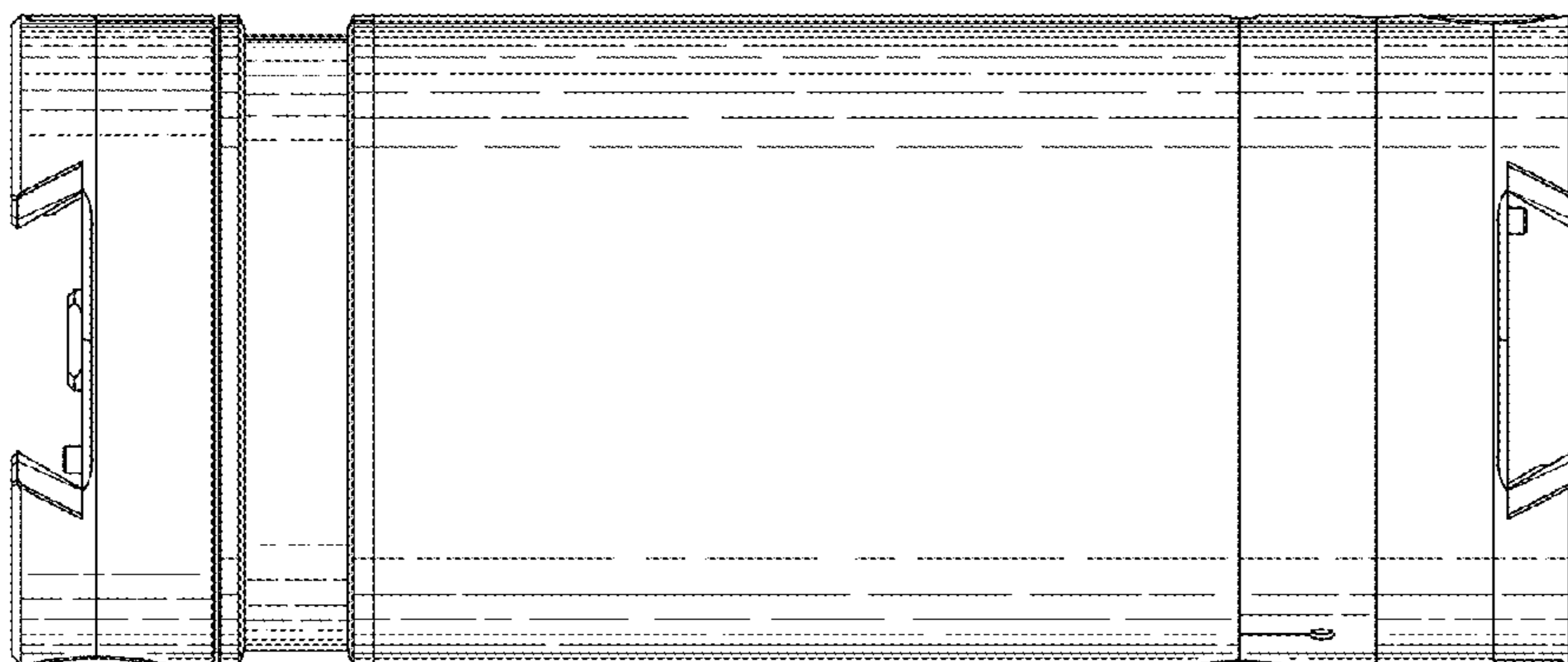


Fig. 6.