



US00D712953S

(12) **United States Design Patent**
Nohara

(10) **Patent No.:** **US D712,953 S**

(45) **Date of Patent:** **** Sep. 9, 2014**

(54) **DIGITAL CAMERA**

(71) Applicant: **Olympus Imaging Corporation**, Tokyo (JP)

(72) Inventor: **Takeshi Nohara**, Hachioji (JP)

(73) Assignee: **Olympus Imaging Corp.**, Tokyo (JP)

(**) Term: **14 Years**

(21) Appl. No.: **29/456,965**

(22) Filed: **Jun. 5, 2013**

(30) **Foreign Application Priority Data**

Apr. 25, 2013 (JP) 2013-009373

(51) **LOC (10) Cl.** **16-05**

(52) **U.S. Cl.**
USPC **D16/219; D16/200**

(58) **Field of Classification Search**
USPC D16/200, 202, 204, 218, 219;
348/373-376; 358/909.1; 396/535, 540

See application file for complete search history.

(56) **References Cited**

U.S. PATENT DOCUMENTS

D631,496 S *	1/2011	Tainaka	D16/202
D633,934 S *	3/2011	Funakoshi	D16/219
8,233,082 B2 *	7/2012	Yamamoto	348/375
D681,710 S *	5/2013	Sato	D16/200
D697,960 S *	1/2014	Sato	D16/219
D698,839 S *	2/2014	Sato	D16/200

* cited by examiner

Primary Examiner — Adir Aronovich

(74) *Attorney, Agent, or Firm* — Holtz Holtz Goodman & Chick PC

(57) **CLAIM**

The ornamental design for a digital camera, as shown and described.

DESCRIPTION

FIG. 1 is a front, top and right side perspective view of a digital camera showing my new design; FIG. 2 is a front elevational view thereof; FIG. 3 is a rear elevational view thereof; FIG. 4 is a top plan view thereof; FIG. 5 is a bottom plan view thereof; FIG. 6 is a right side elevational view thereof; and, FIG. 7 is a left side elevational view thereof. The broken lines shown in the drawings are for illustrative purposes only and form no part of the claimed design.

1 Claim, 4 Drawing Sheets

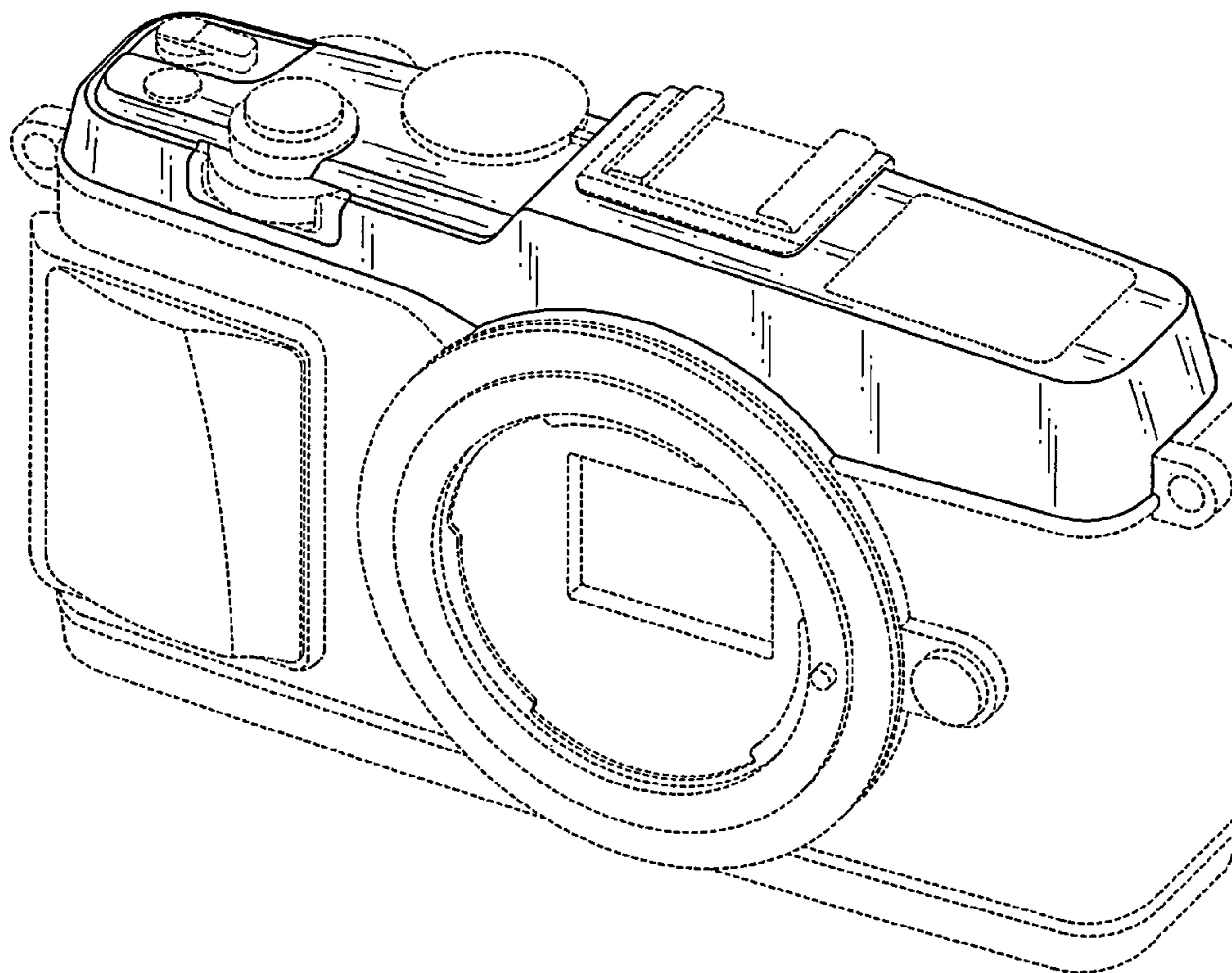


FIG.1

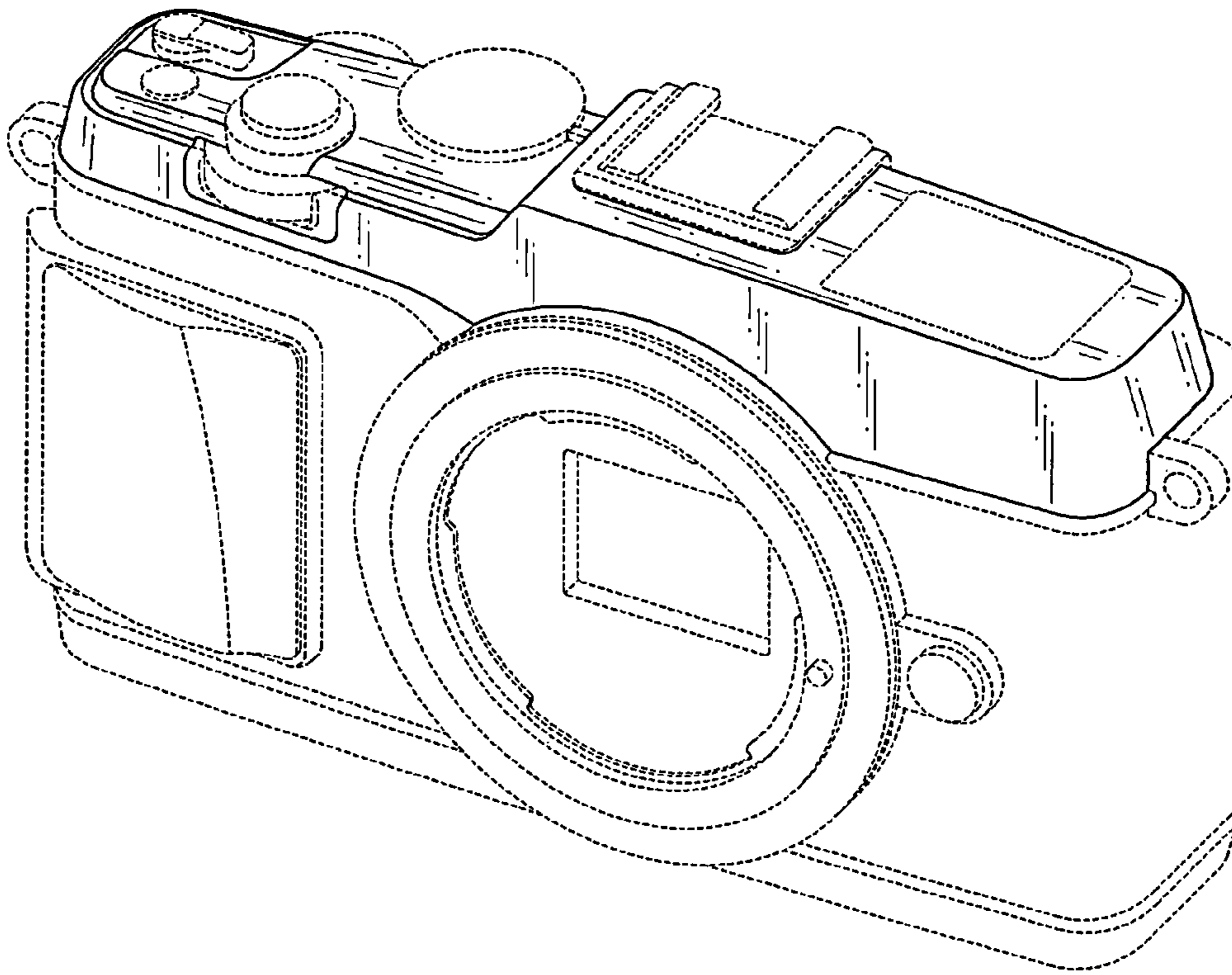


FIG.2

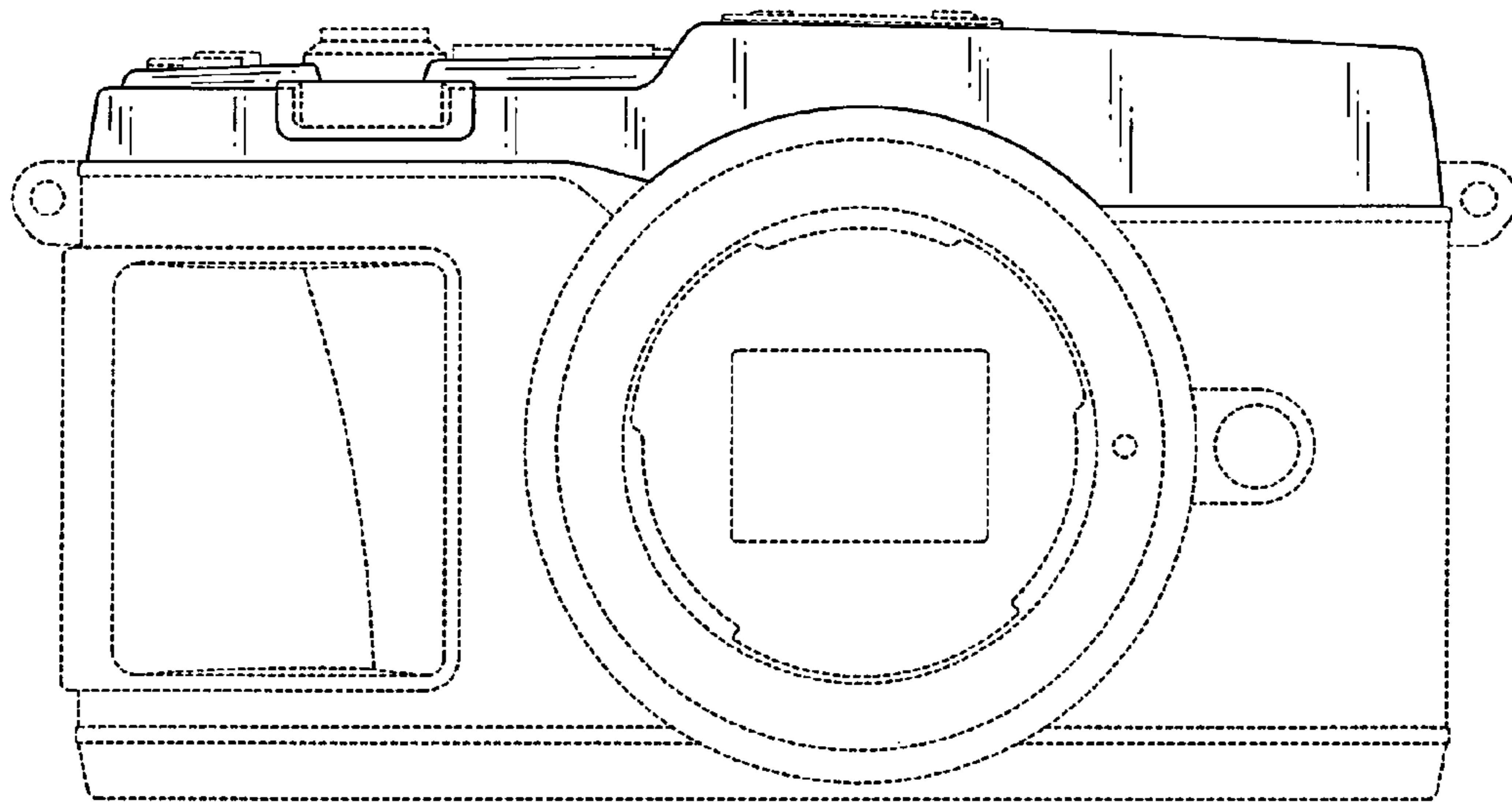


FIG.3

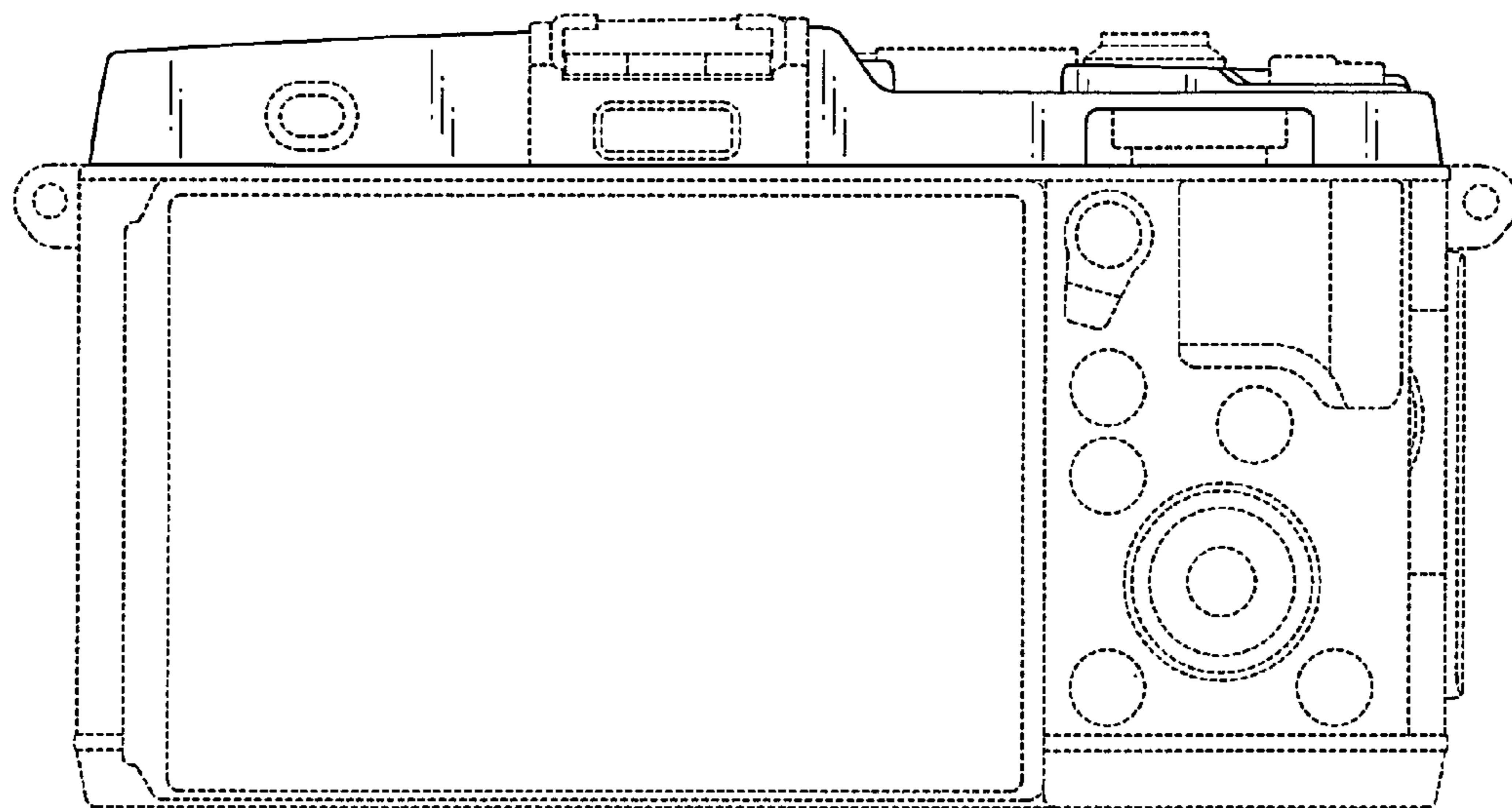


FIG.4

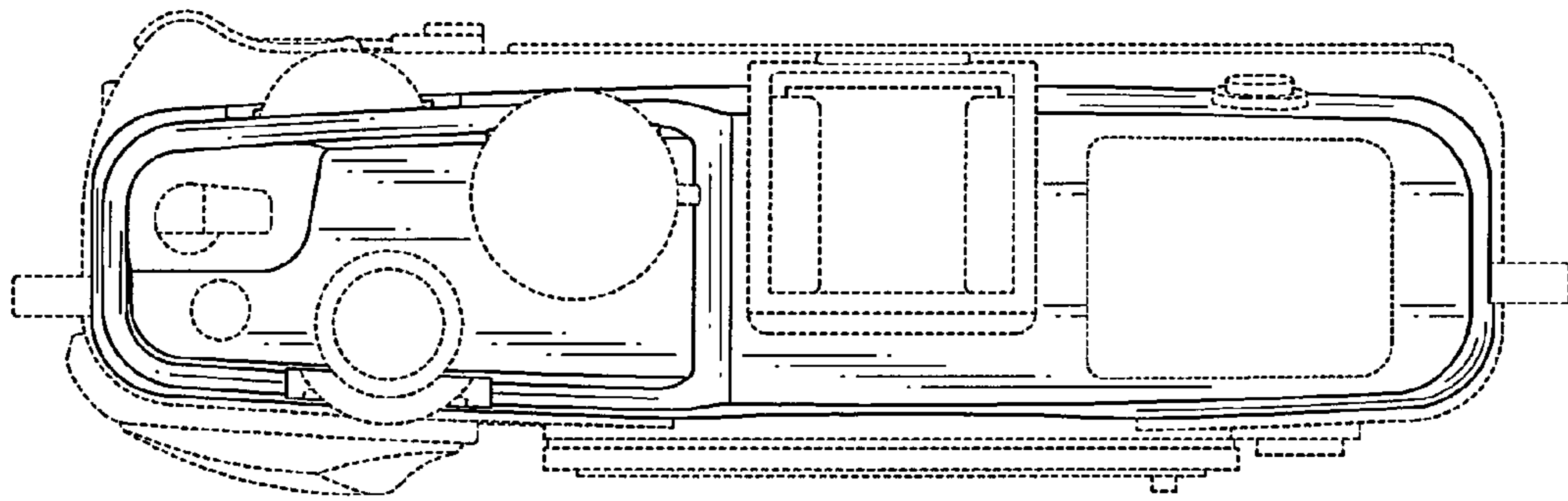


FIG.5

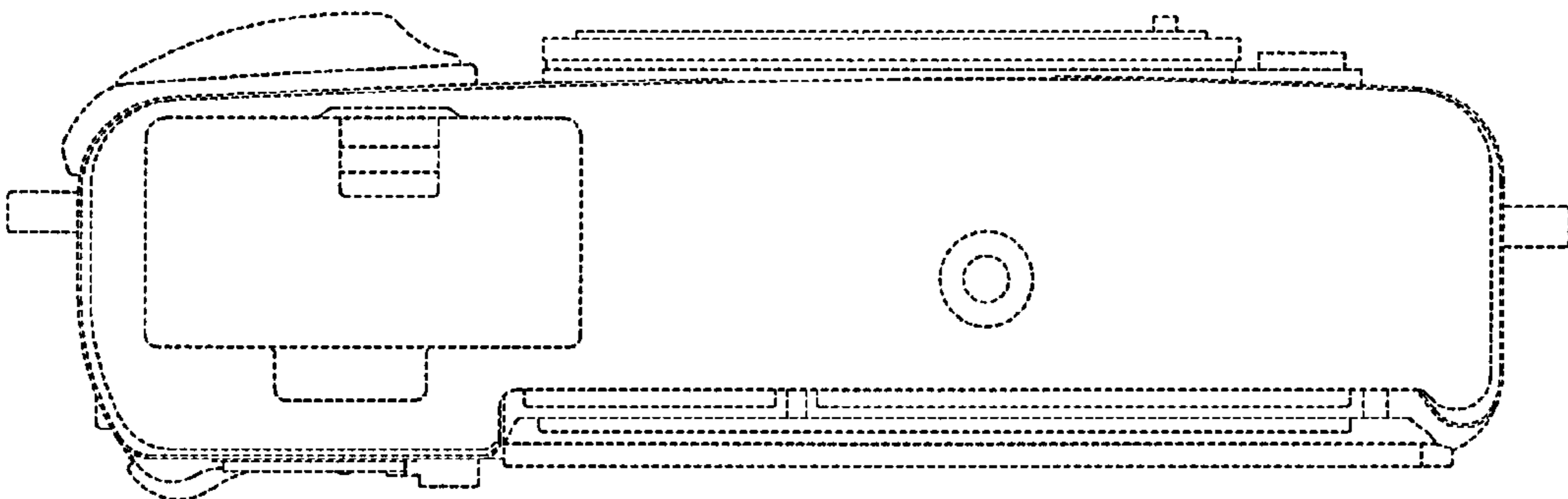


FIG.6

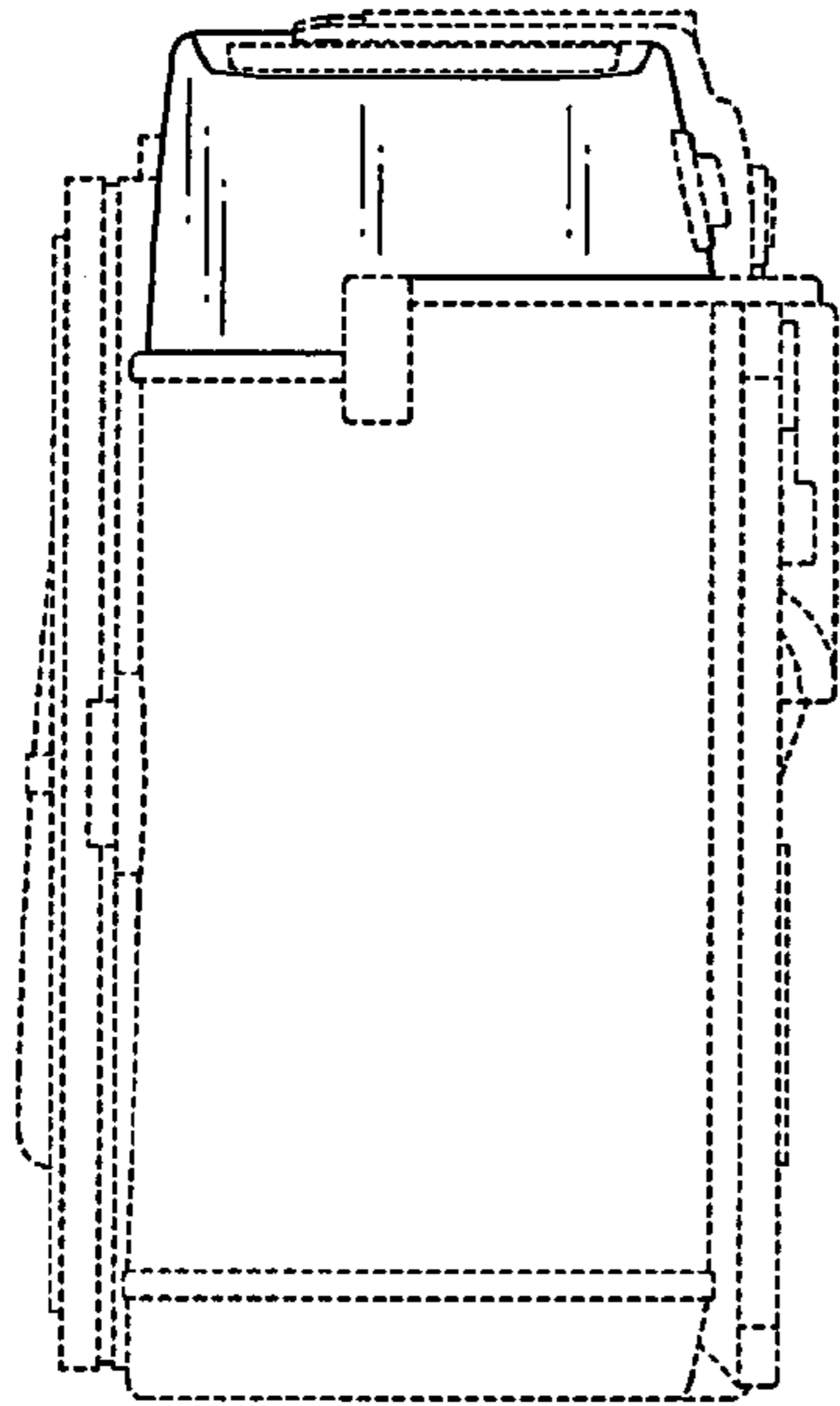


FIG.7

