



US00D712952S

(12) **United States Design Patent**
Sumii et al.

(10) **Patent No.:** **US D712,952 S**

(45) **Date of Patent:** **** Sep. 9, 2014**

(54) **CAMERA**

(71) Applicant: **Sony Computer Entertainment, Inc.**,
Tokyo (JP)

(72) Inventors: **Tetsu Sumii**, Tokyo (JP); **Taichi Nokuo**,
Tokyo (JP)

(73) Assignee: **Sony Computer Entertainment Inc.**,
Tokyo (JP)

(**) Term: **14 Years**

(21) Appl. No.: **29/453,745**

(22) Filed: **May 2, 2013**

(30) **Foreign Application Priority Data**

Nov. 6, 2012 (JP) D2012-027072

(51) **LOC (10) Cl.** **16-01**

(52) **U.S. Cl.**
USPC **D16/218**; D14/496

(58) **Field of Classification Search**
CPC G03B 17/02; G03B 19/04; G03B 17/56;
G03B 17/04; G03B 15/03; H04N 5/2251;
H04N 5/2252; H04N 5/2253; H04N 5/2254;
H04N 2101/00; H04N 2007/145; H04N 7/141;
H04N 7/142; H04N 7/147; H04N 7/148;
H04N 7/15; H04N 7/152
USPC D10/104.1, 106.7; D16/200, 202–203,
D16/207, 208, 218, 219; D14/203.1, 204,
D14/209.1, 496, 497; 348/14.01–14.6,
348/373–376; 396/427, 535, 539–541

See application file for complete search history.

(56) **References Cited**

U.S. PATENT DOCUMENTS

5,808,663	A *	9/1998	Okaya	348/14.1
D586,835	S *	2/2009	Koza et al.	D16/212
D619,484	S *	7/2010	Ikeda et al.	D10/106.7
D641,338	S *	7/2011	Chen	D14/209.1
D665,441	S *	8/2012	McManigal	D16/218
8,323,106	B2 *	12/2012	Zalewski	463/31
D674,430	S *	1/2013	Inoue	D16/218
D685,015	S *	6/2013	Wang et al.	D16/202
D687,082	S *	7/2013	Wang et al.	D16/202

OTHER PUBLICATIONS

PS4: Sony's new PlayStation 4 console releasing holiday 2013, Published on Digital Spy on Feb. 20, 2013 [online]. [retrieved on Feb. 18, 2013] Uploaded by Liam Martin [online], Retrieved from the Internet: <<http://www.digitalspy.com/gaming/news/a460422/ps4-sonys-new-playstation-4-console-releasing-holiday-2013.html>>.*

* cited by examiner

Primary Examiner — Adir Aronovich

Assistant Examiner — Ramzi Almatrahi

(74) *Attorney, Agent, or Firm* — Rader, Fishman & Grauer PLLC

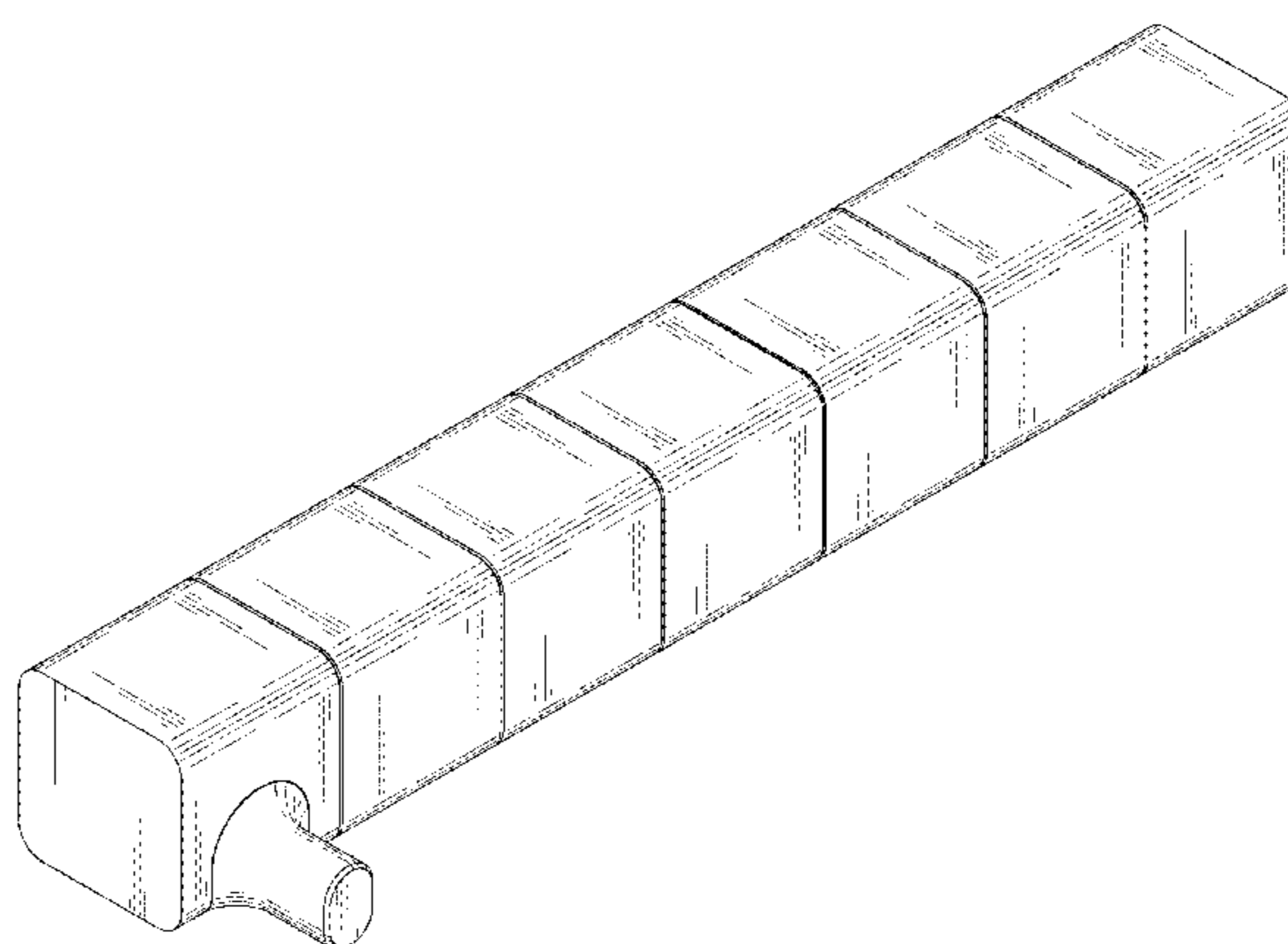
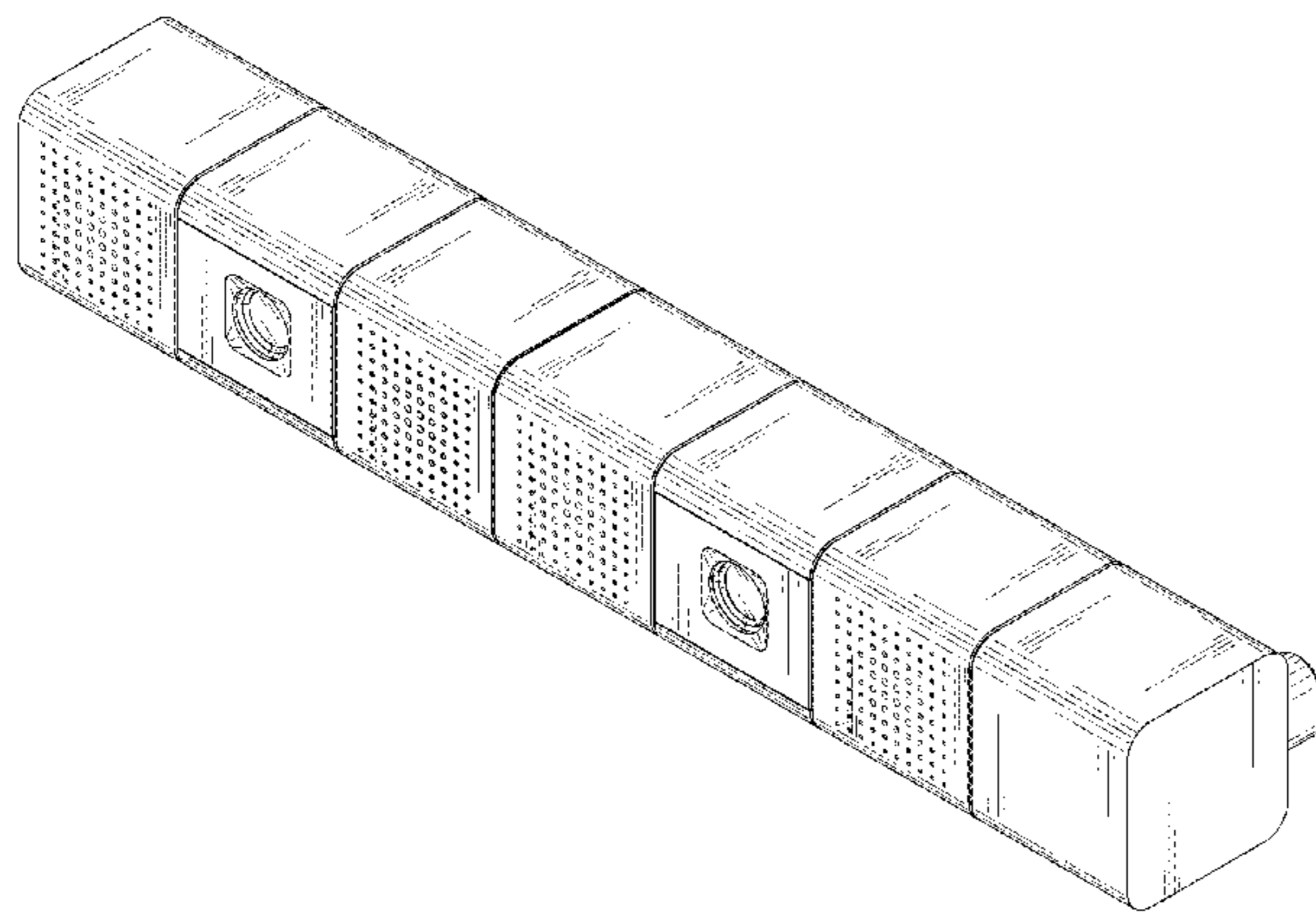
(57) **CLAIM**

The ornamental design for a camera, as shown.

DESCRIPTION

FIG. 1 is a front, top, right perspective view of a camera showing our new design;
FIG. 2 is a rear, top, right perspective view thereof;
FIG. 3 is a front elevational view thereof;
FIG. 4 is a rear elevational view thereof;
FIG. 5 is a left side elevational view thereof;
FIG. 6 is a right side elevational view thereof;
FIG. 7 is a top plan view thereof; and,
FIG. 8 is a bottom plan view thereof.

1 Claim, 4 Drawing Sheets



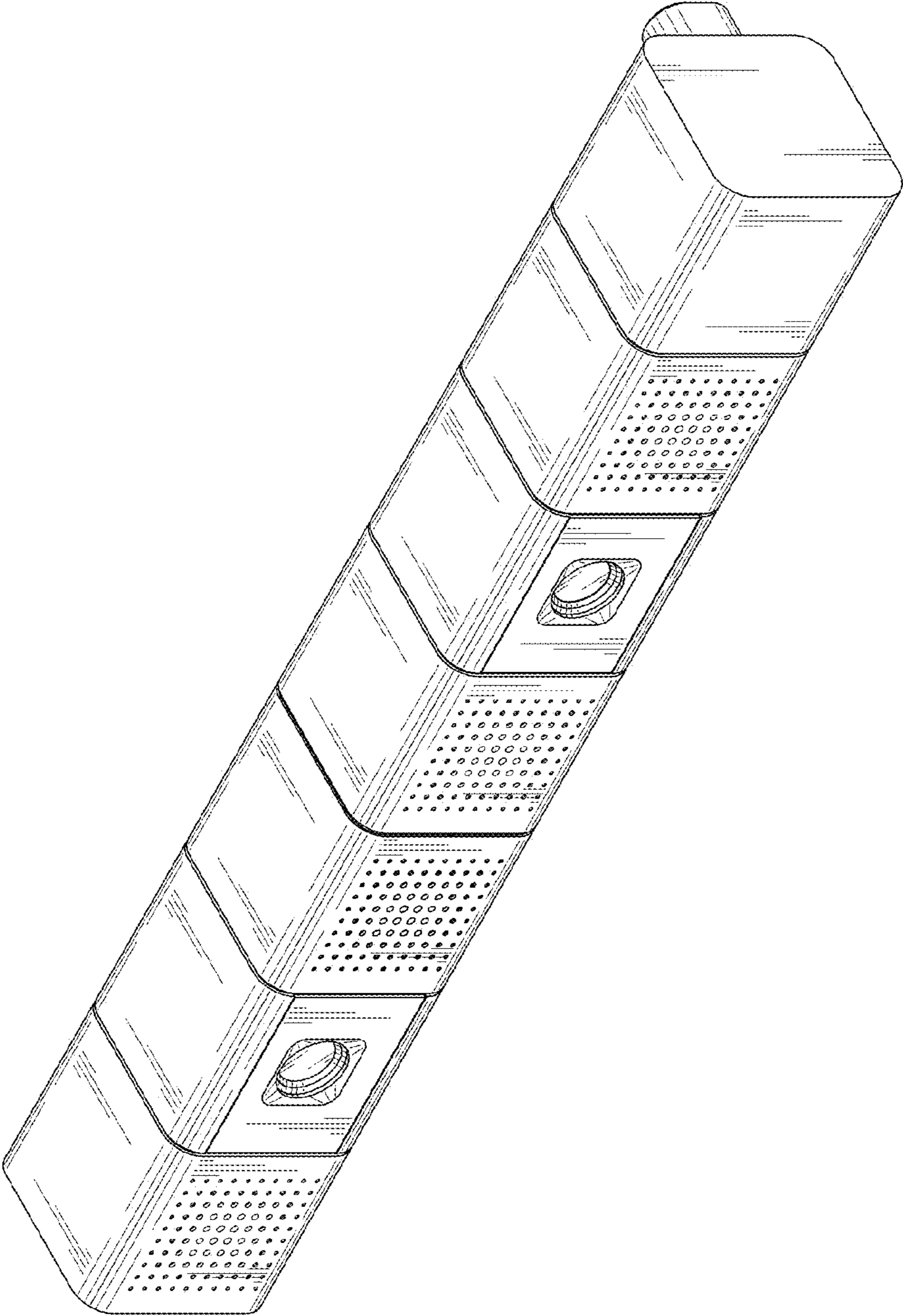


FIG. 1

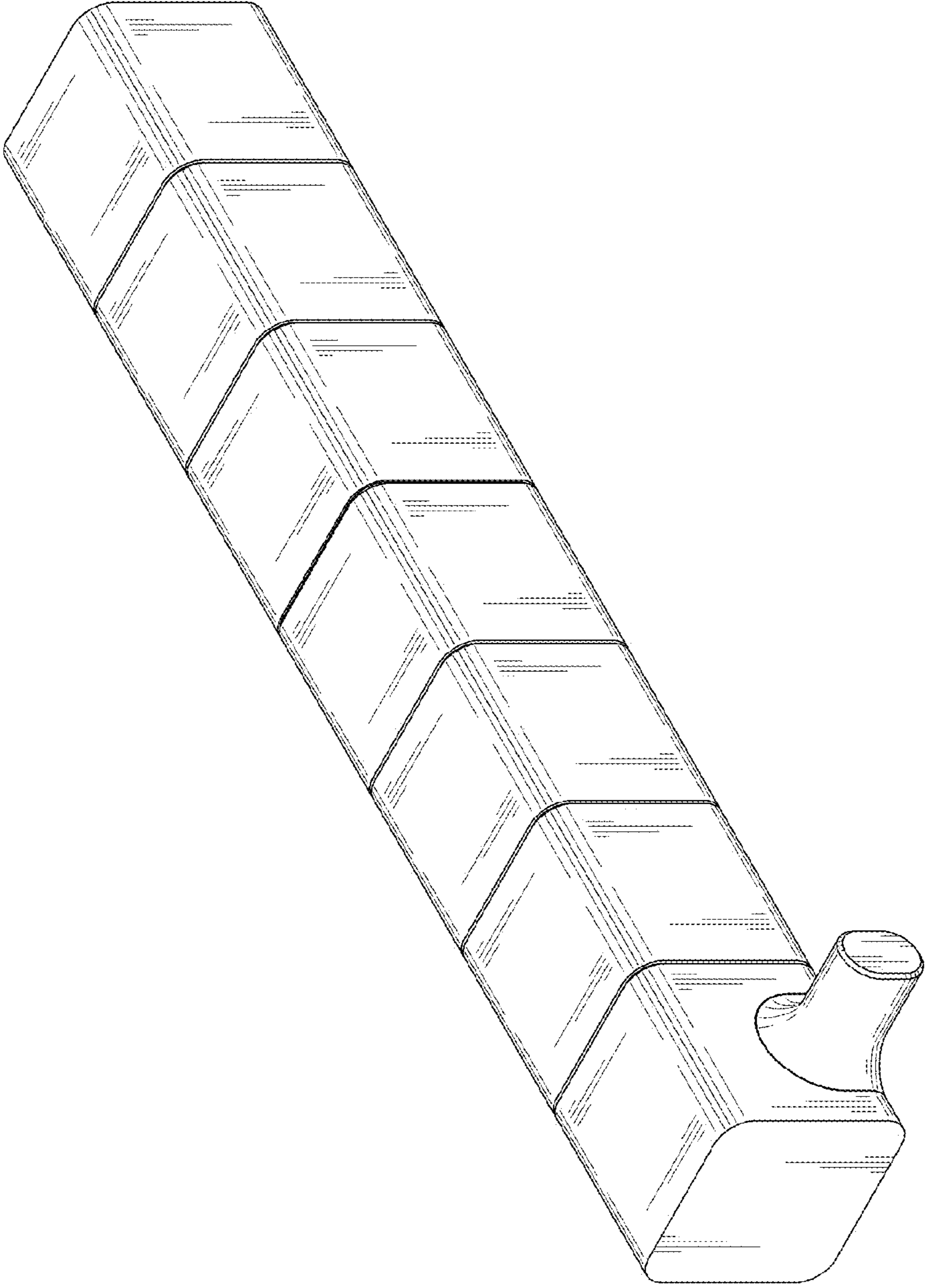


FIG. 2

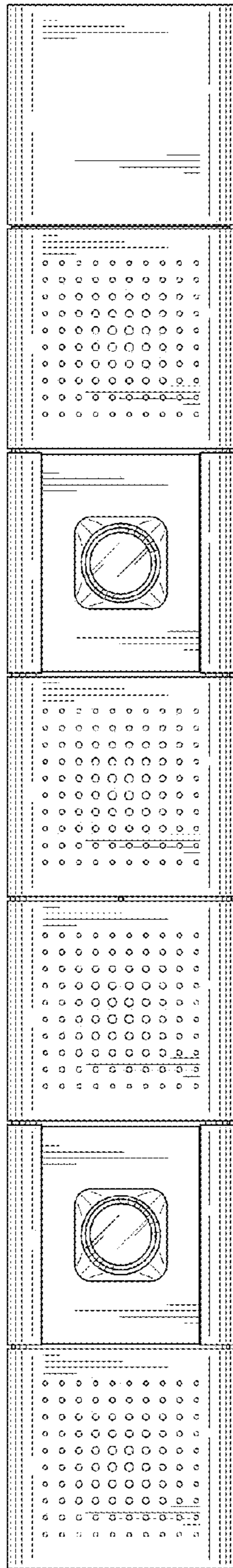


FIG. 3

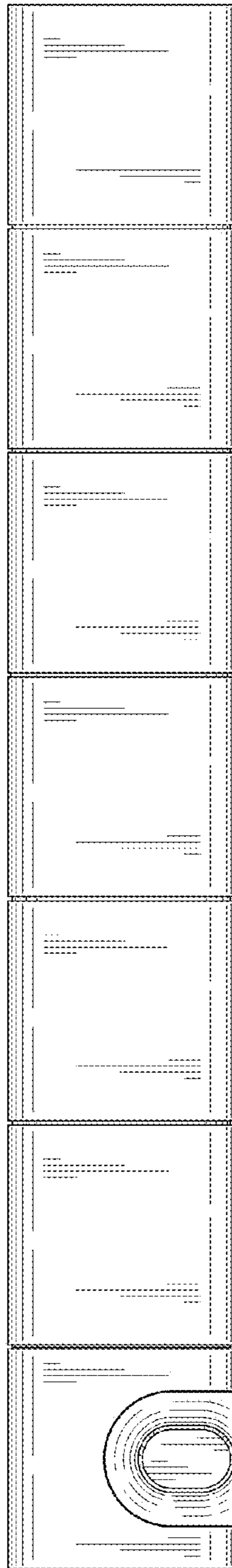


FIG. 4

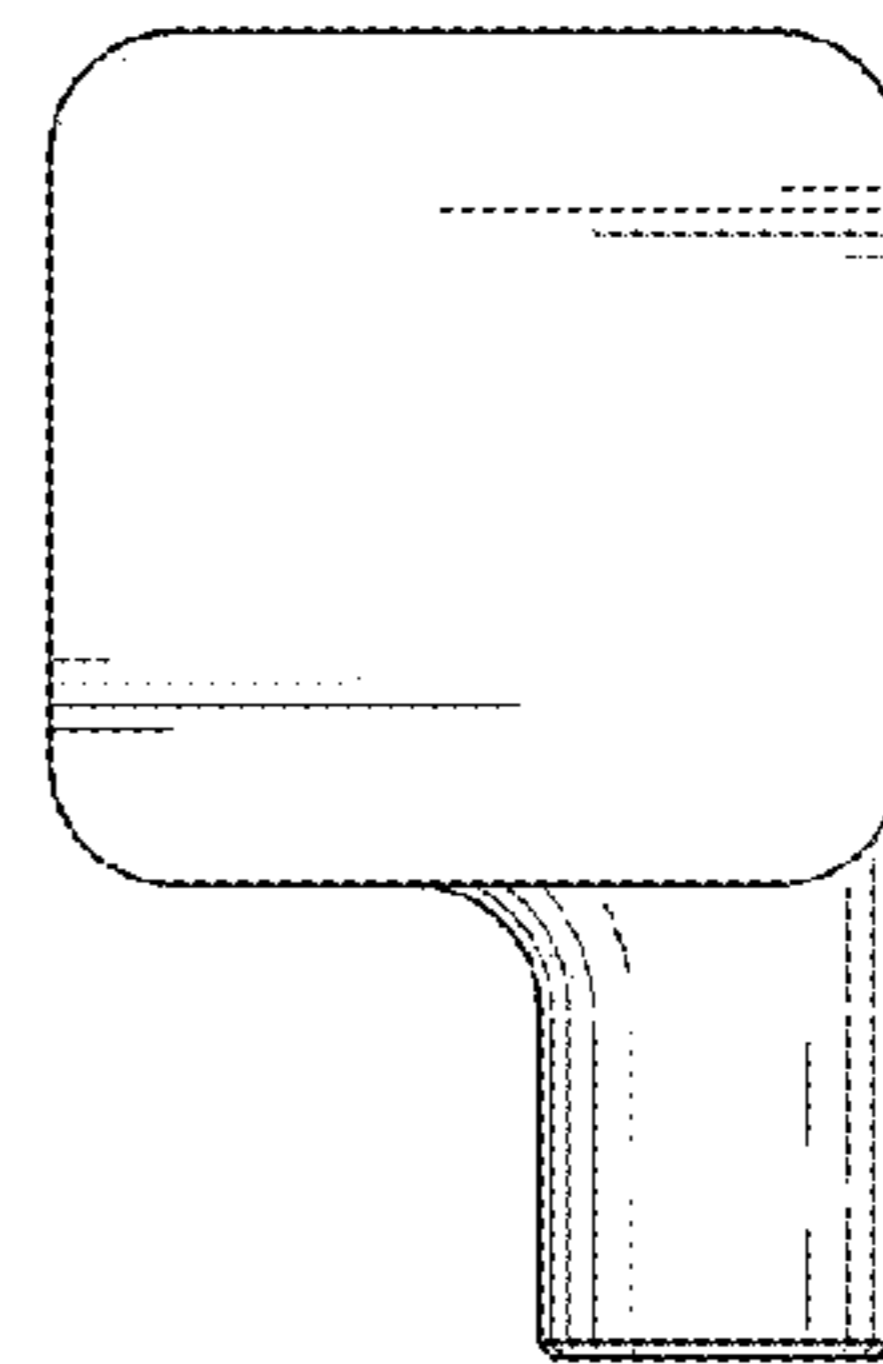


FIG. 5

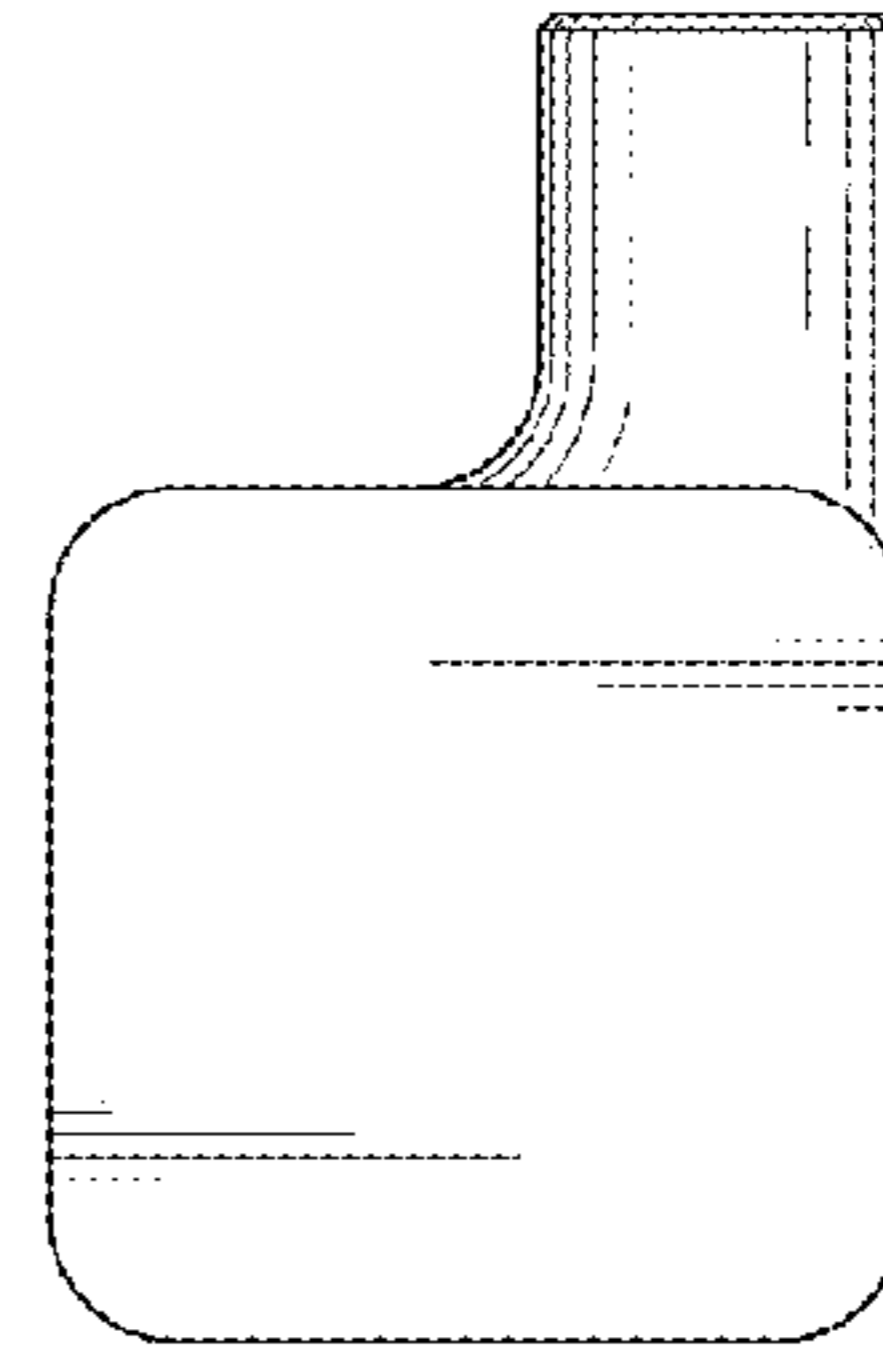


FIG. 6

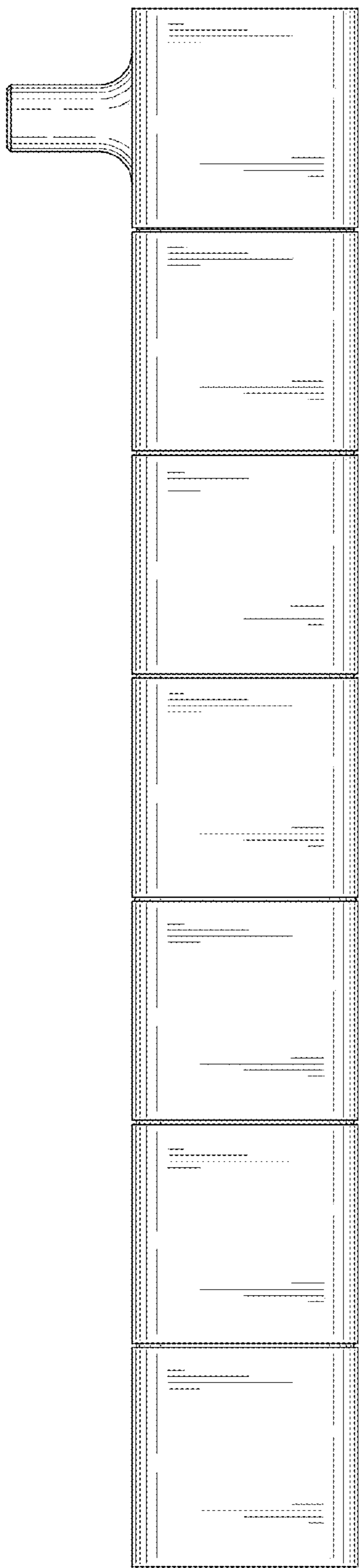


FIG. 7

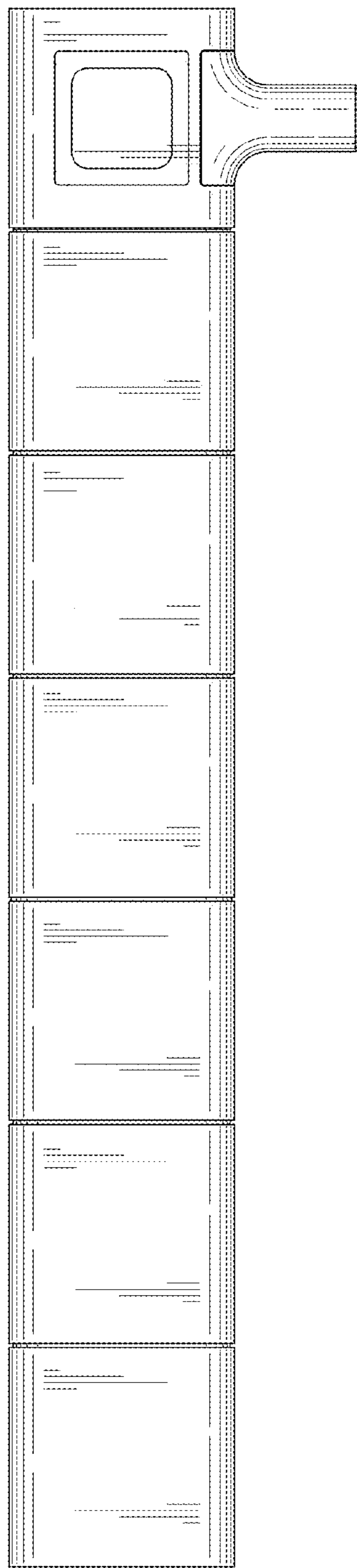


FIG. 8