



US00D712951S

(12) **United States Design Patent**  
**Chou et al.**

(10) **Patent No.:** **US D712,951 S**  
(45) **Date of Patent:** **\*\* Sep. 9, 2014**

- (54) **WIRELESS VIDEO CAMERA**
- (71) Applicant: **Quanta Computer Inc.**, Taoyuan Shien (TW)
- (72) Inventors: **Ya-Chyi Chou**, Taoyuan Shien (TW);  
**Kao-Yu Hsu**, New Taipei (TW)
- (73) Assignee: **Quanta Computer Inc.**, Taoyuan Shien (TW)
- (\*\*) Term: **14 Years**
- (21) Appl. No.: **29/461,407**
- (22) Filed: **Jul. 23, 2013**

- (30) **Foreign Application Priority Data**  
Jun. 3, 2013 (TW) ..... 102303930
- (51) **LOC (10) Cl.** ..... **16-01**
- (52) **U.S. Cl.**  
USPC ..... **D16/202; D16/242**

- (58) **Field of Classification Search**  
CPC ..... G03B 17/02; G03B 19/04; G03B 17/56;  
G03B 17/04; G03B 15/03; H04N 5/2251;  
H04N 5/2252; H04N 5/2253; H04N 5/2254;  
H04N 2007/145; H04N 7/141; H04N 7/142;  
H04N 7/147; H04N 7/148; H04N 7/15;  
H04N 7/152  
USPC ..... D16/200, 202–203, 208, 218, 219, 242;  
248/187.1; 348/14.01–14.6, 143, 148,  
348/151, 373–376; 396/419, 427, 428, 535,  
396/539–541

See application file for complete search history.

(56) **References Cited**

U.S. PATENT DOCUMENTS

D399,860	S	*	10/1998	Huang	.....	D16/202
D441,000	S	*	4/2001	Vanderwilt et al.	.....	D16/202
D455,164	S	*	4/2002	Tsang et al.	.....	D16/202
D476,345	S	*	6/2003	Phelps et al.	.....	D16/202
D550,266	S	*	9/2007	Lau	.....	D16/202
D554,168	S	*	10/2007	Shi et al.	.....	D16/202
D654,942	S	*	2/2012	Khamsepoor et al.	.....	D16/202
D662,532	S	*	6/2012	Chang	.....	D16/202
D680,144	S	*	4/2013	Tsai	.....	D16/202
D682,332	S	*	5/2013	Wang et al.	.....	D16/202
8,475,059	B2	*	7/2013	Khamsepoor et al.	.....	396/428
D688,725	S	*	8/2013	Tsai	.....	D16/242
2007/0126924	A1	*	6/2007	Shi et al.	.....	348/375

\* cited by examiner

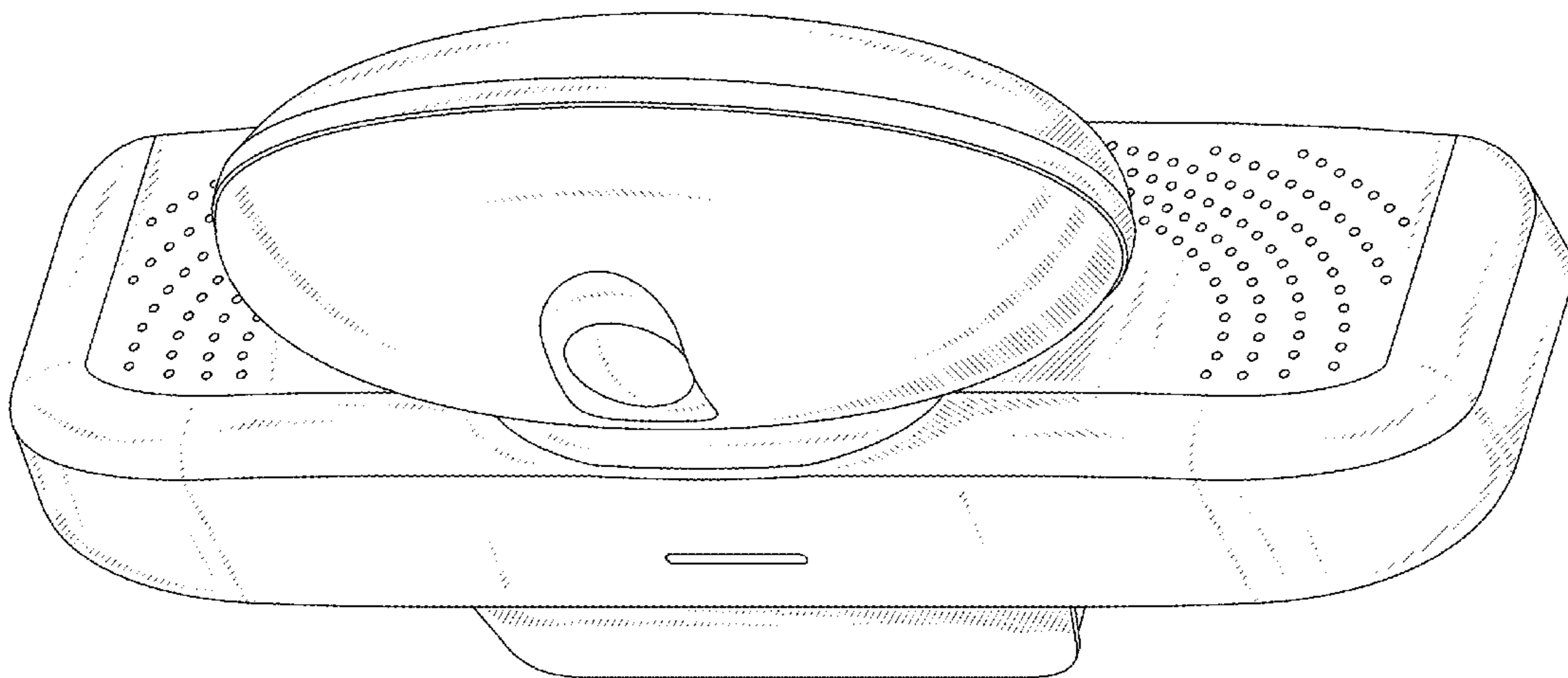
*Primary Examiner* — Adir Aronovich  
*Assistant Examiner* — Ramzi Almatrahi  
(74) *Attorney, Agent, or Firm* — Rabin & Berdo, P.C.

(57) **CLAIM**  
The ornamental design for a wireless video camera, as shown and described.

**DESCRIPTION**

FIG. 1 is a perspective view of a wireless video camera showing our new design;  
FIG. 2 is a front view thereof;  
FIG. 3 is a rear view thereof;  
FIG. 4 is a left side view thereof;  
FIG. 5 is a right side view thereof;  
FIG. 6 is a top view thereof; and,  
FIG. 7 is a bottom view thereof.  
The broken lines shown represent unclaimed subject matter and form no part of the claimed design.

**1 Claim, 7 Drawing Sheets**



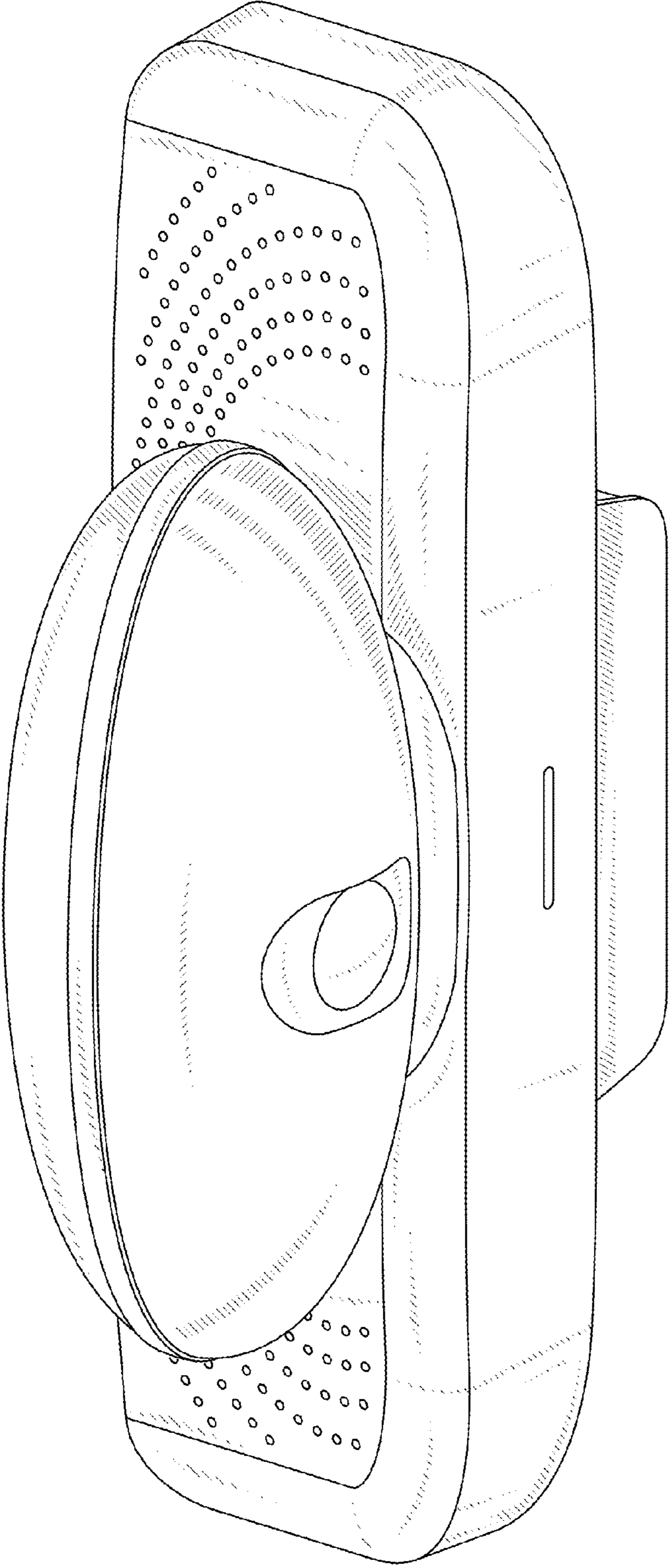


FIG. 1

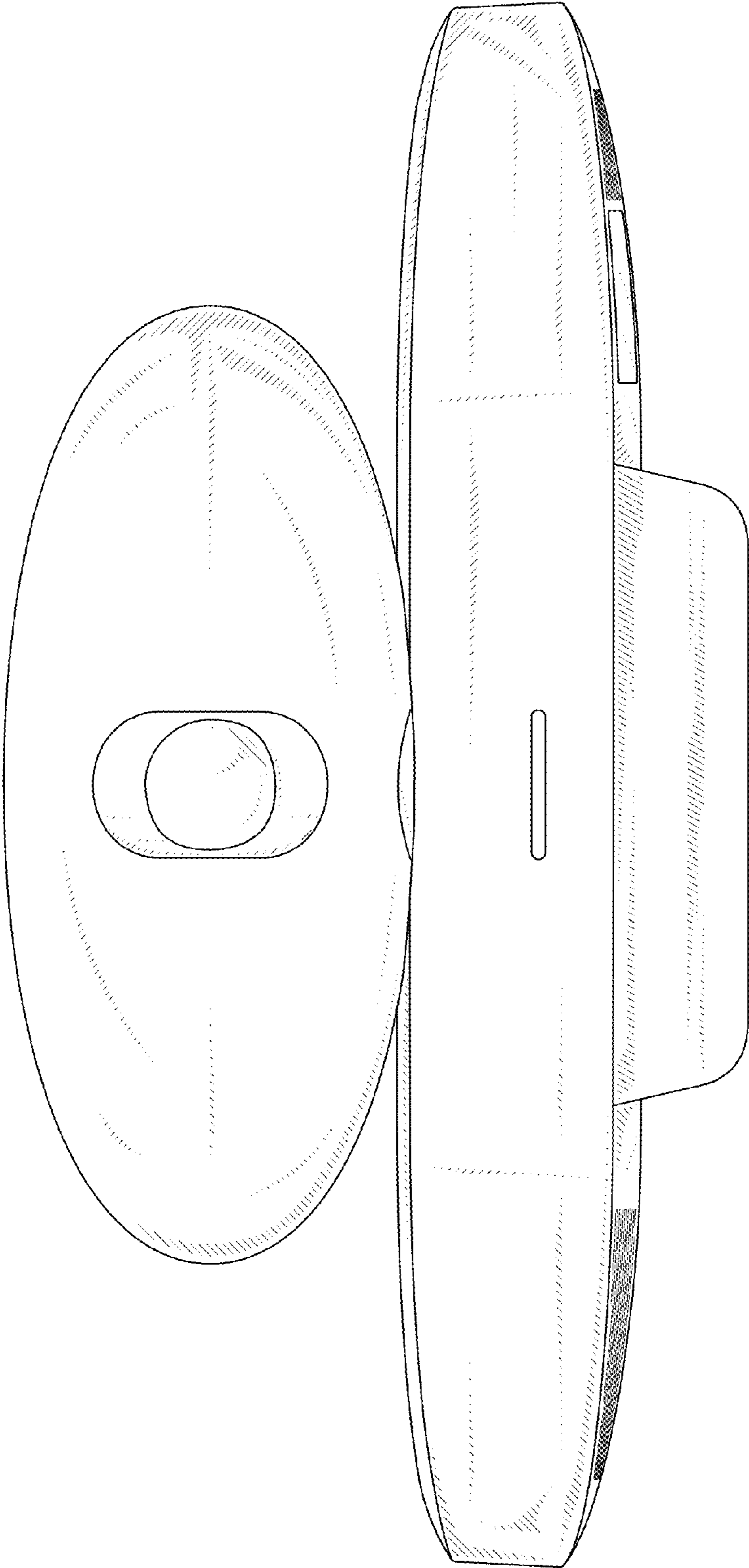


FIG. 2

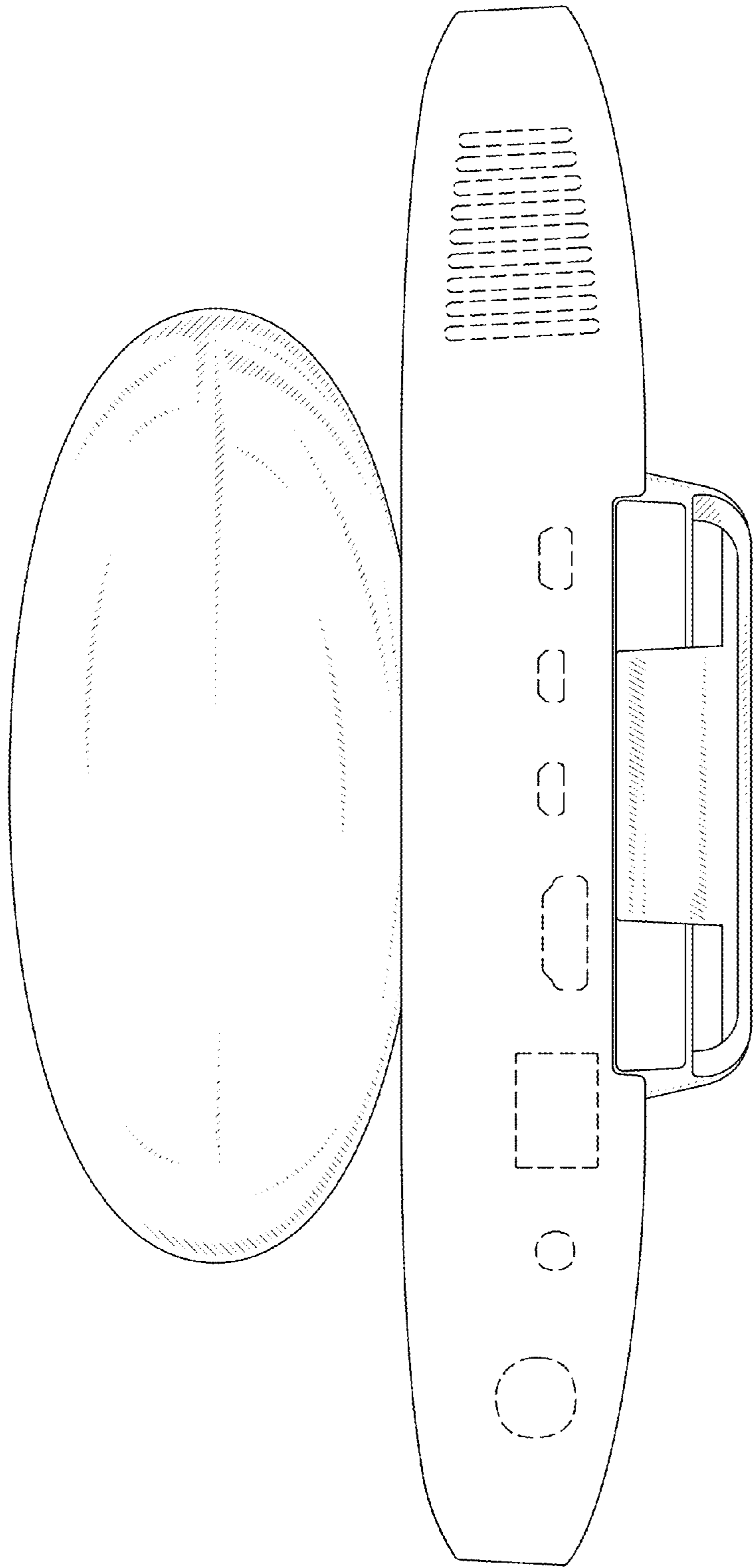


FIG. 3

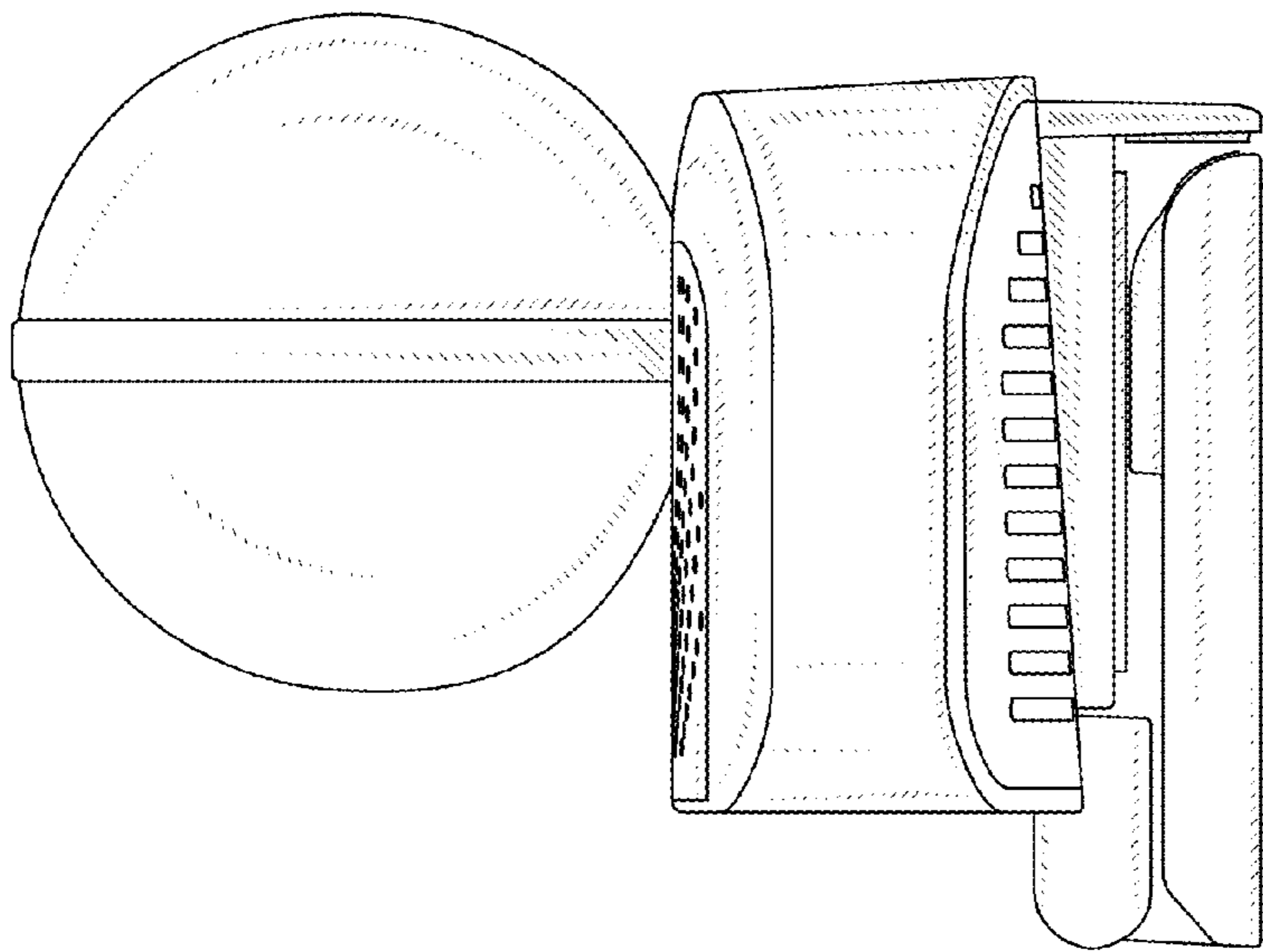


FIG. 4

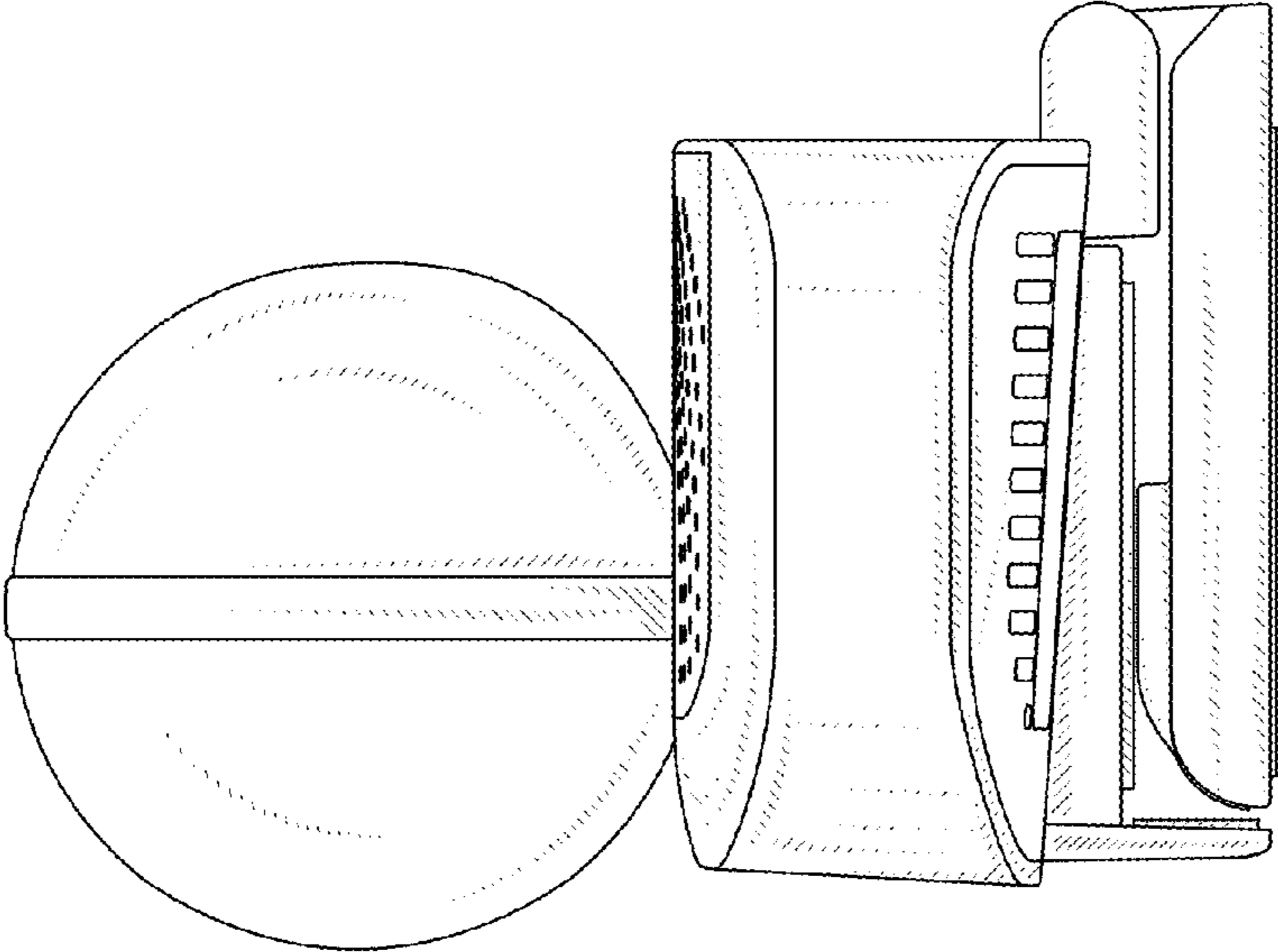


FIG. 5

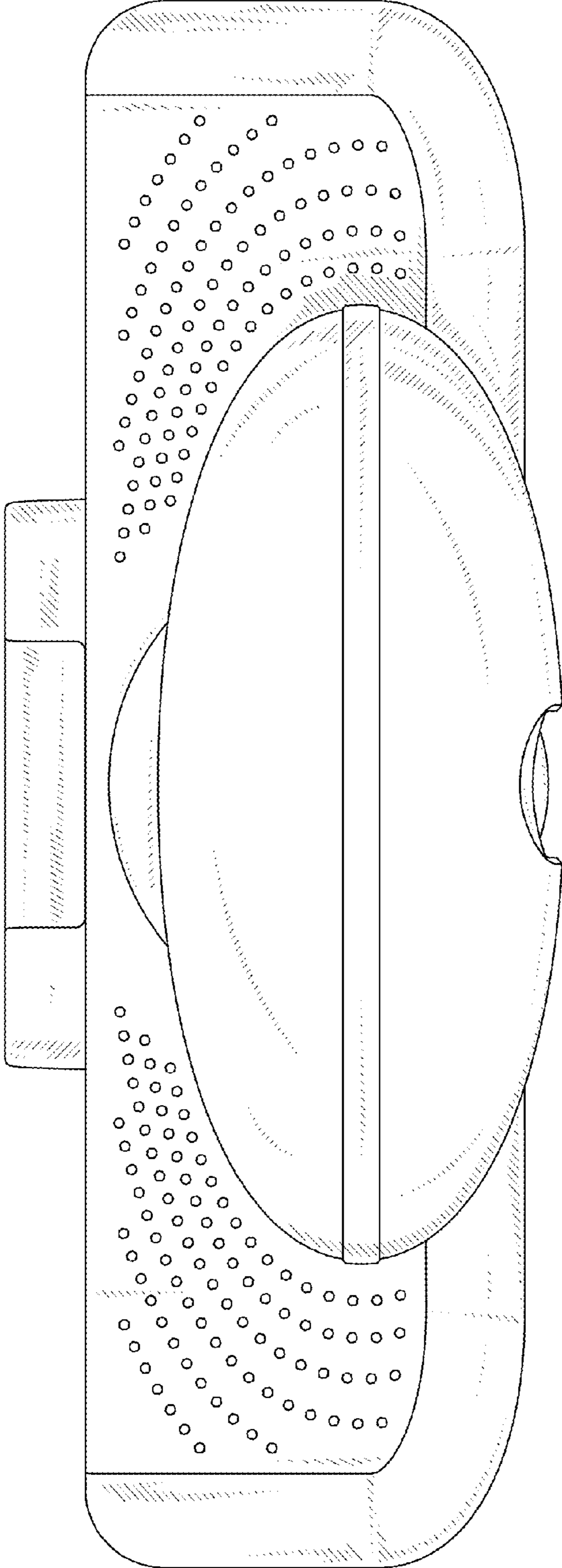


FIG. 6

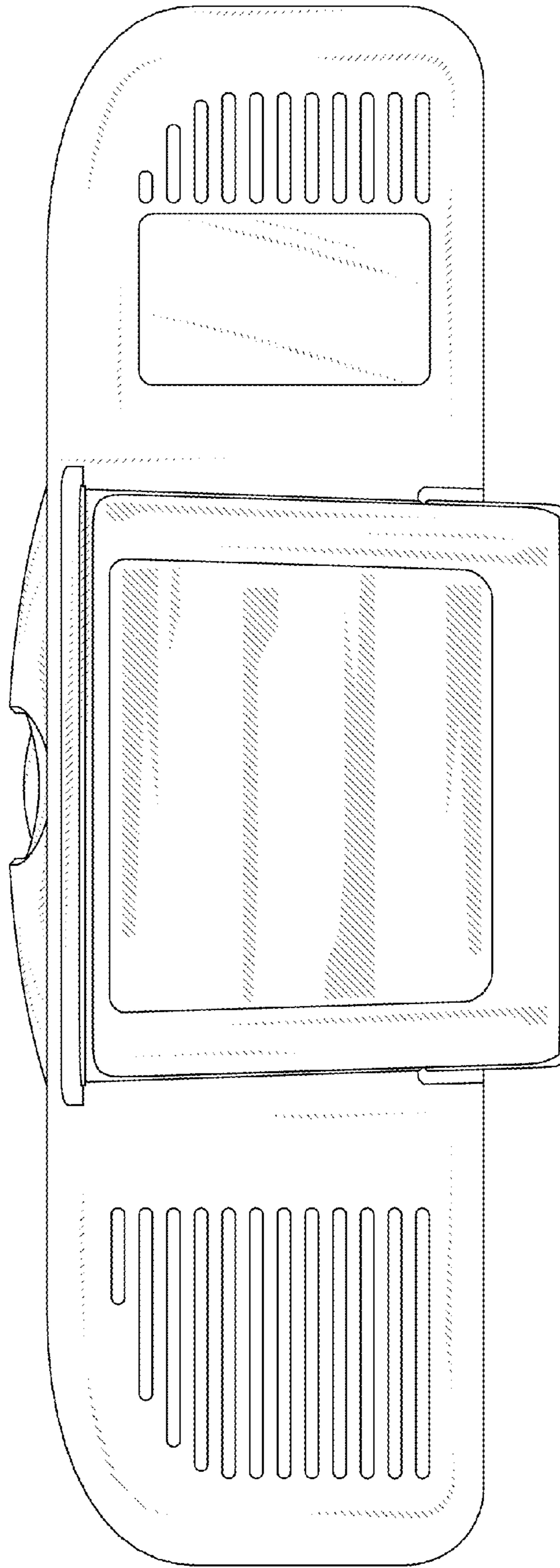


FIG. 7