



US00D712950S

(12) **United States Design Patent**  
**Kwon et al.**

(10) **Patent No.:** **US D712,950 S**

(45) **Date of Patent:** **\*\* Sep. 9, 2014**

(54) **DIGITAL CAMERA**

(71) Applicant: **Samsung Electronics Co., Ltd.**,  
Suwon-si (KR)

(72) Inventors: **Ki-Jin Kwon**, Suwon-si (KR);  
**Eui-Hoon Kim**, Uiwang-si (KR)

(73) Assignee: **Samsung Electronics Co., Ltd.**,  
Suwon-Si (KR)

(\*\*) Term: **14 Years**

(21) Appl. No.: **29/459,938**

(22) Filed: **Jul. 5, 2013**

(30) **Foreign Application Priority Data**

Jan. 5, 2013 (KR) ..... 30-2013-0000776

(51) **LOC (10) Cl.** ..... **16-01**

(52) **U.S. Cl.**  
USPC ..... **D16/202**

(58) **Field of Classification Search**  
USPC ..... D16/200, 202, 204, 206, 208, 218;  
348/373–376; 396/535–541

See application file for complete search history.

(56) **References Cited**

U.S. PATENT DOCUMENTS

7,646,426	B2 *	1/2010	Saiki et al. ....	348/373
D634,766	S *	3/2011	Ham .....	D16/202
D635,604	S *	4/2011	Sul et al. ....	D16/202
D641,033	S *	7/2011	Nohara .....	D16/202
D665,002	S *	8/2012	Kwon et al. ....	D16/202
D669,109	S *	10/2012	Jang .....	D16/202
D694,303	S *	11/2013	Ham et al. ....	D16/202
D695,328	S *	12/2013	Sul .....	D16/202
D695,803	S *	12/2013	Kyunghan et al. ....	D16/202

\* cited by examiner

*Primary Examiner* — Adir Aronovich

(74) *Attorney, Agent, or Firm* — Staas & Halsey LLP

(57) **CLAIM**

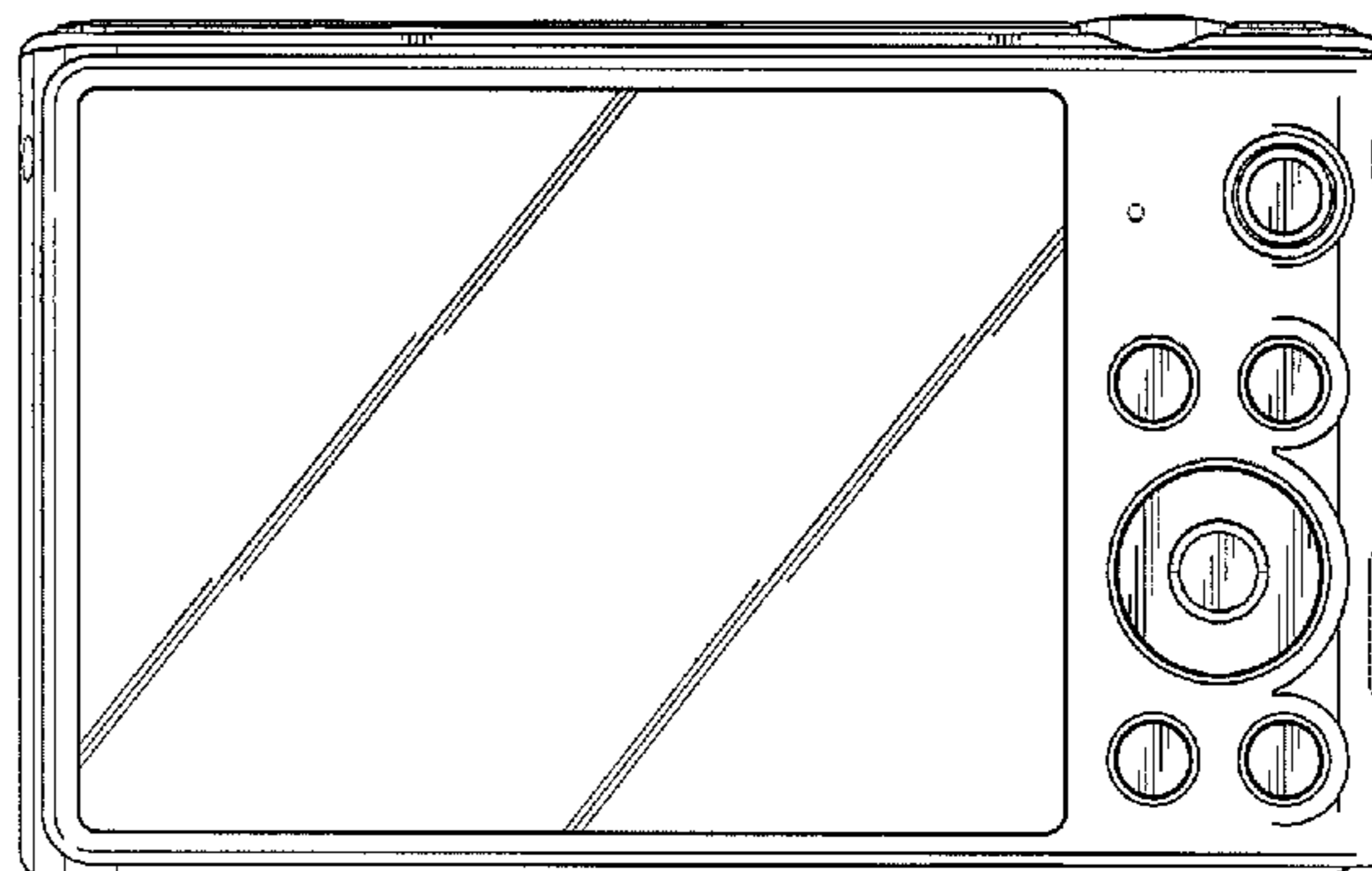
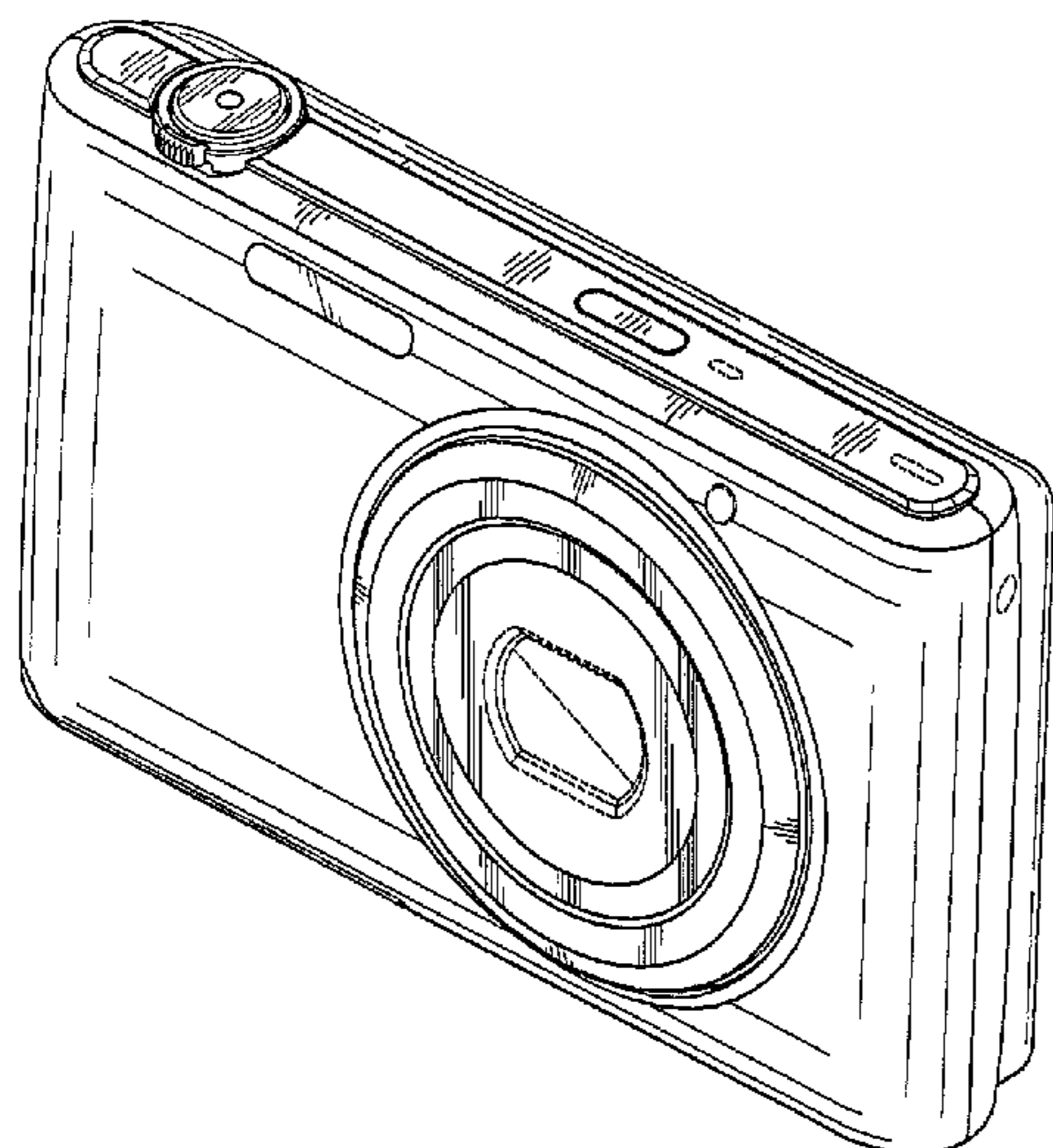
The ornamental design for a digital camera, as shown and described.

**DESCRIPTION**

FIG. 1 is a top, front and right side perspective view of a digital camera showing my new design;  
FIG. 2 is a front elevational view thereof;  
FIG. 3 is a rear elevational view thereof;  
FIG. 4 left side elevational view thereof;  
FIG. 5 is right side elevational view thereof;  
FIG. 6 is a top plan view thereof; and,  
FIG. 7 is a bottom plan view thereof.

The broken lines shown in the drawings are directed to environment and are for illustration purpose only; the broken lines form no part of the claimed design.

**1 Claim, 3 Drawing Sheets**



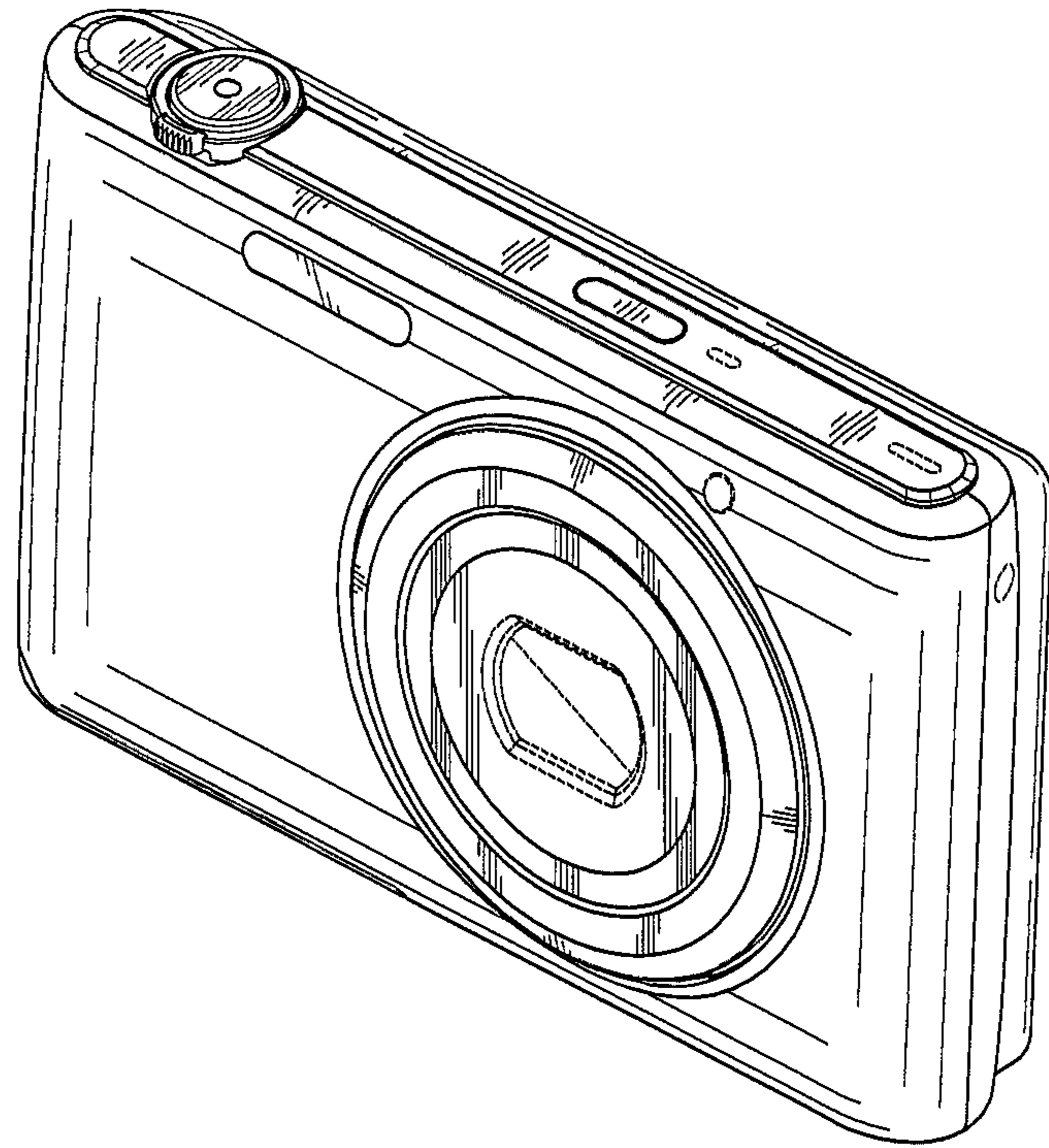


FIG.1

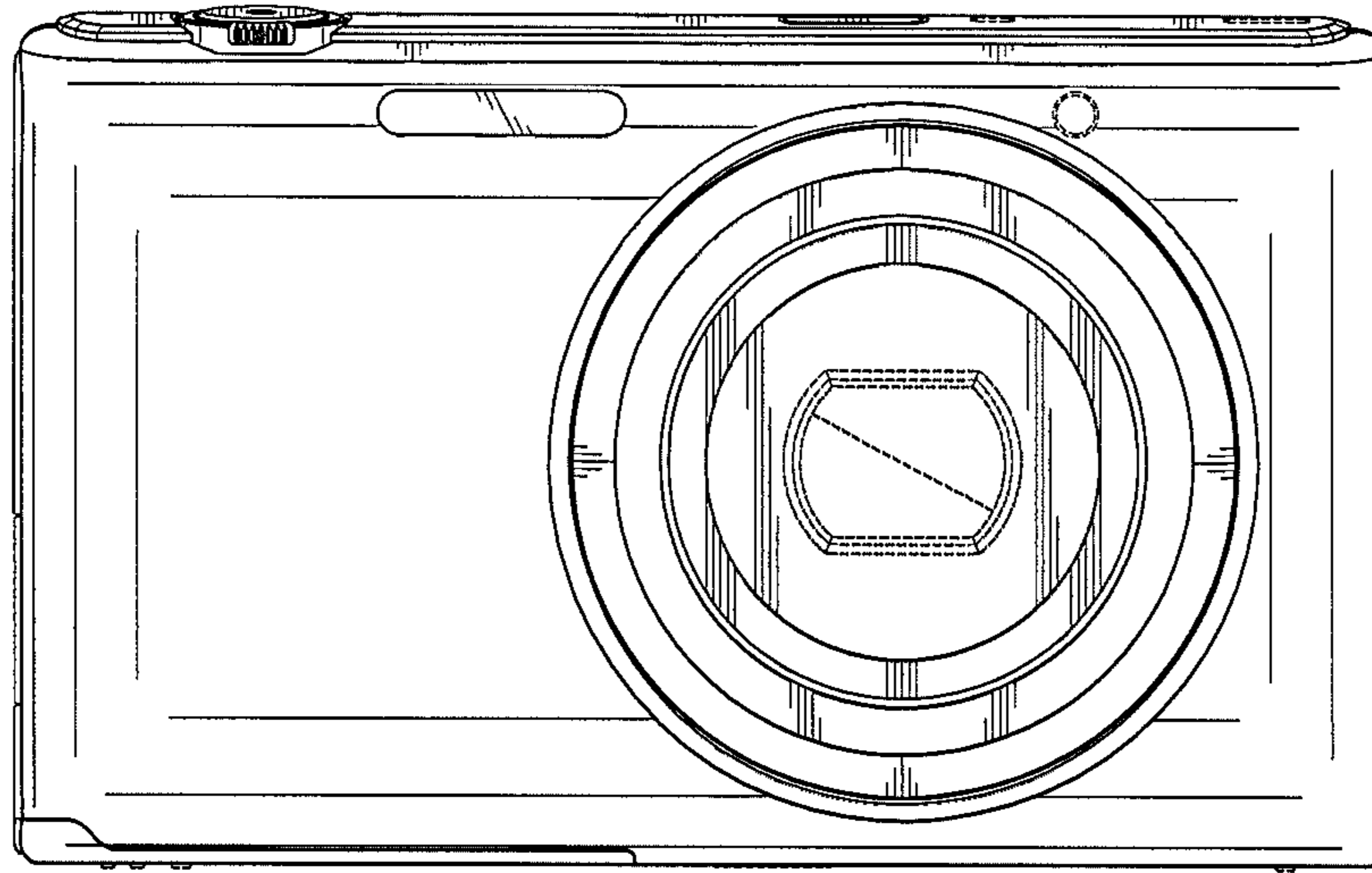


FIG.2

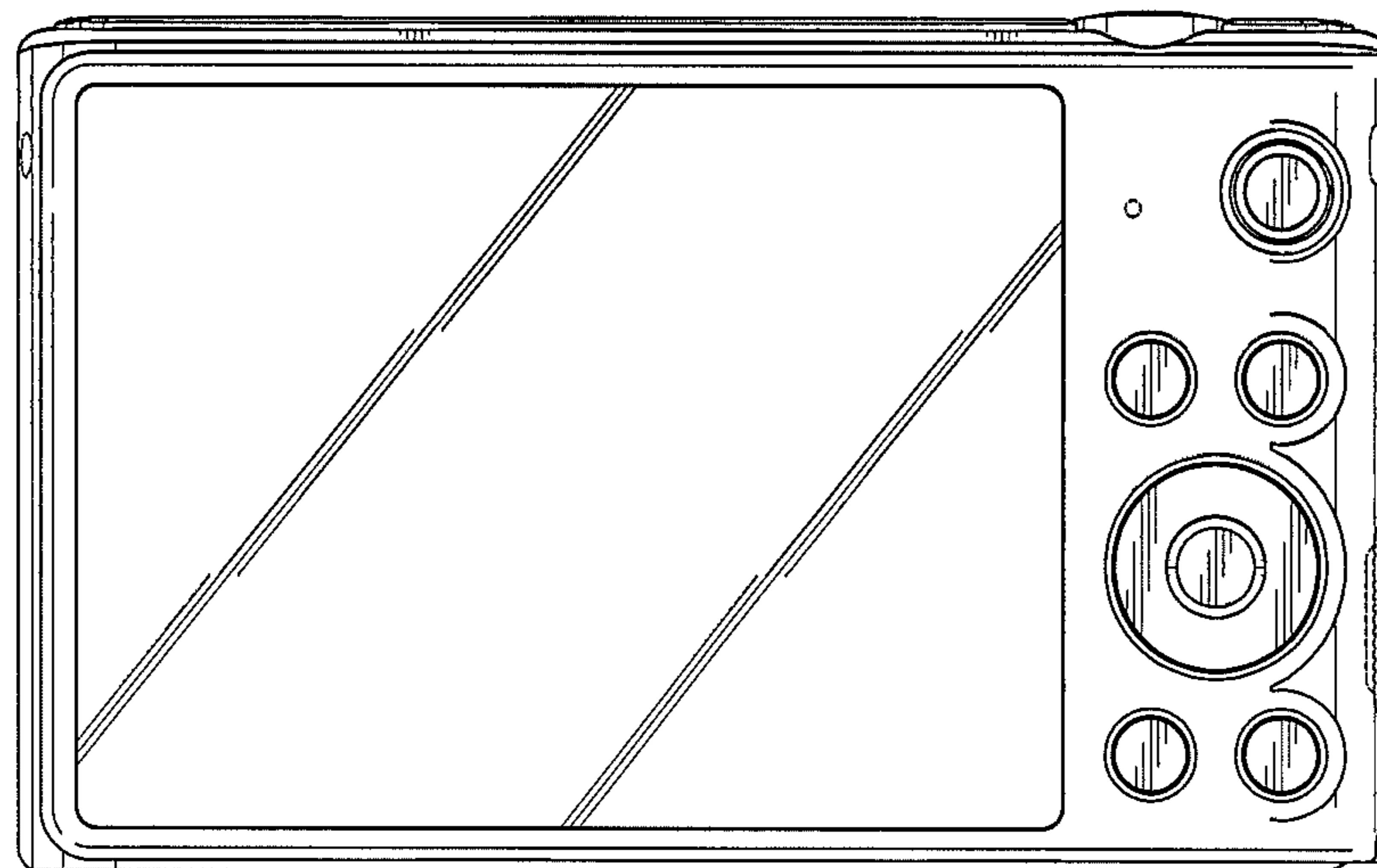


FIG.3

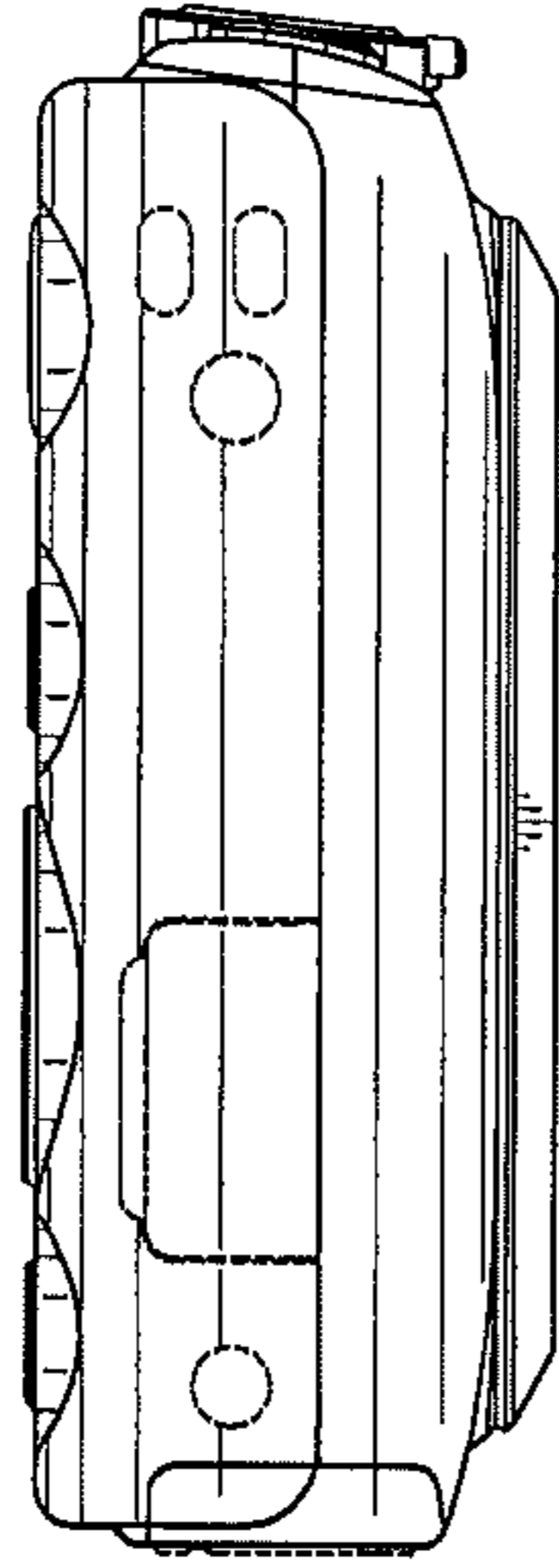


FIG.4

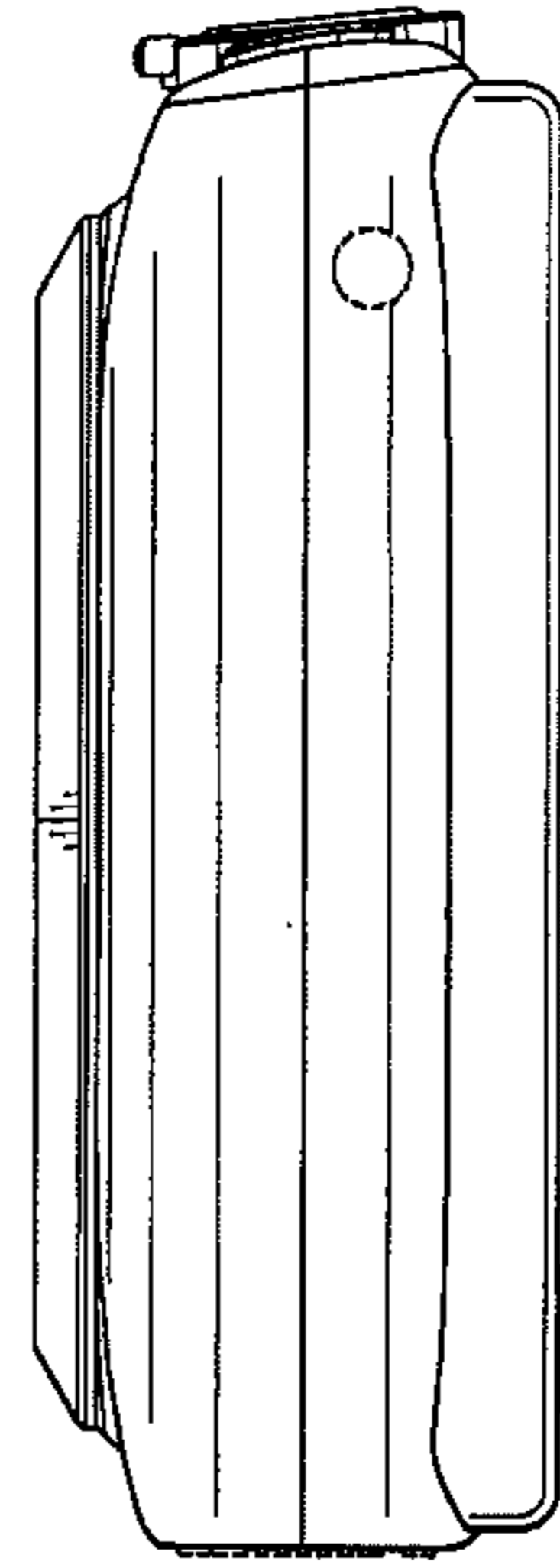


FIG.5

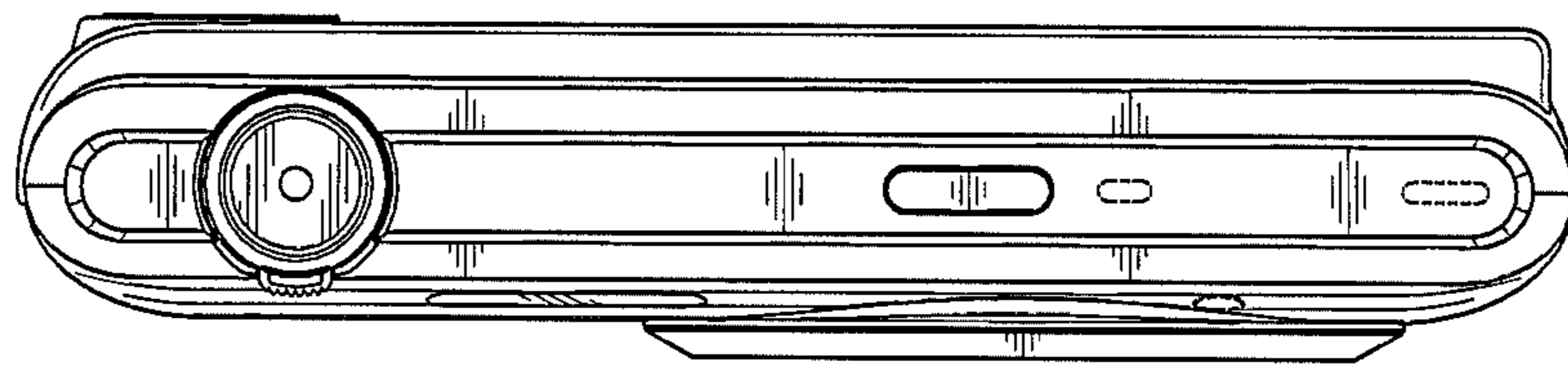


FIG.6

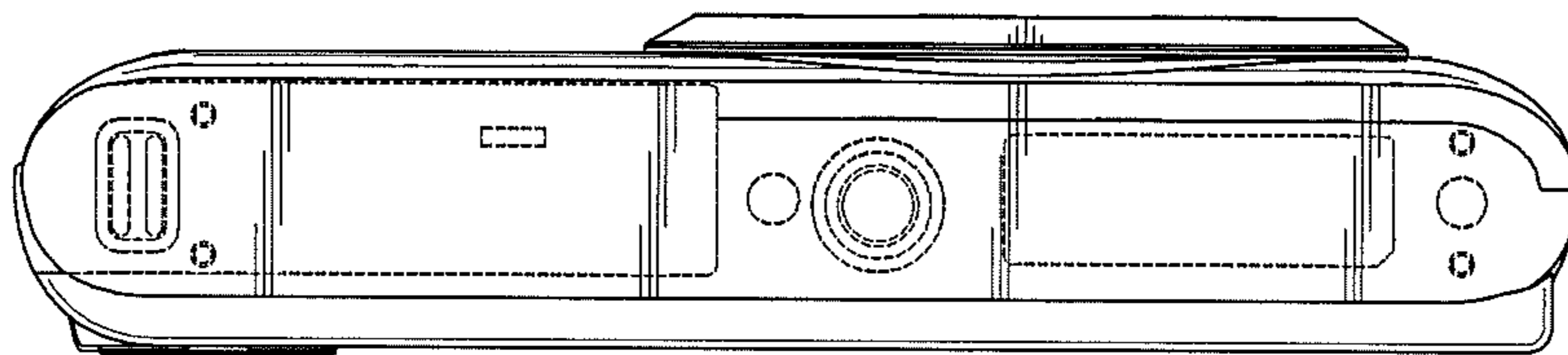


FIG.7