



US00D712949S

(12) **United States Design Patent**  
**Kwon et al.**

(10) **Patent No.:** **US D712,949 S**  
(45) **Date of Patent:** **\*\* Sep. 9, 2014**

(54) **DIGITAL CAMERA**

(71) Applicant: **Samsung Electronics Co., Ltd.**,  
Suwon-si (KR)

(72) Inventors: **Ki-Jin Kwon**, Suwon-si (KR);  
**Eui-Hoon Kim**, Uiwang-si (KR)

(73) Assignee: **Samsung Electronics Co., Ltd.**,  
Suwon-Si (KR)

(\*\*) Term: **14 Years**

(21) Appl. No.: **29/459,937**

(22) Filed: **Jul. 5, 2013**

(30) **Foreign Application Priority Data**

Jan. 5, 2013 (KR) ..... 30-2013-0000777

(51) **LOC (10) Cl.** ..... **16-01**

(52) **U.S. Cl.**  
USPC ..... **D16/202**

(58) **Field of Classification Search**  
USPC ..... D16/200, 202, 204, 206, 208, 218;  
348/373-376; 396/535-541  
See application file for complete search history.

(56) **References Cited**

**U.S. PATENT DOCUMENTS**

7,646,426 B2 \* 1/2010 Saiki et al. .... 348/373  
D634,766 S \* 3/2011 Ham ..... D16/202

D635,604 S \* 4/2011 Sul et al. .... D16/202  
D641,033 S \* 7/2011 Nohara ..... D16/202  
D665,002 S \* 8/2012 Kwon et al. .... D16/202  
D669,109 S \* 10/2012 Jang ..... D16/202  
D694,302 S \* 11/2013 Lee et al. .... D16/202  
D695,328 S \* 12/2013 Sul ..... D16/202  
D695,803 S \* 12/2013 Kyunghan et al. .... D16/202

\* cited by examiner

*Primary Examiner* — Adir Aronovich

(74) *Attorney, Agent, or Firm* — Staas & Halsey LLP

(57) **CLAIM**

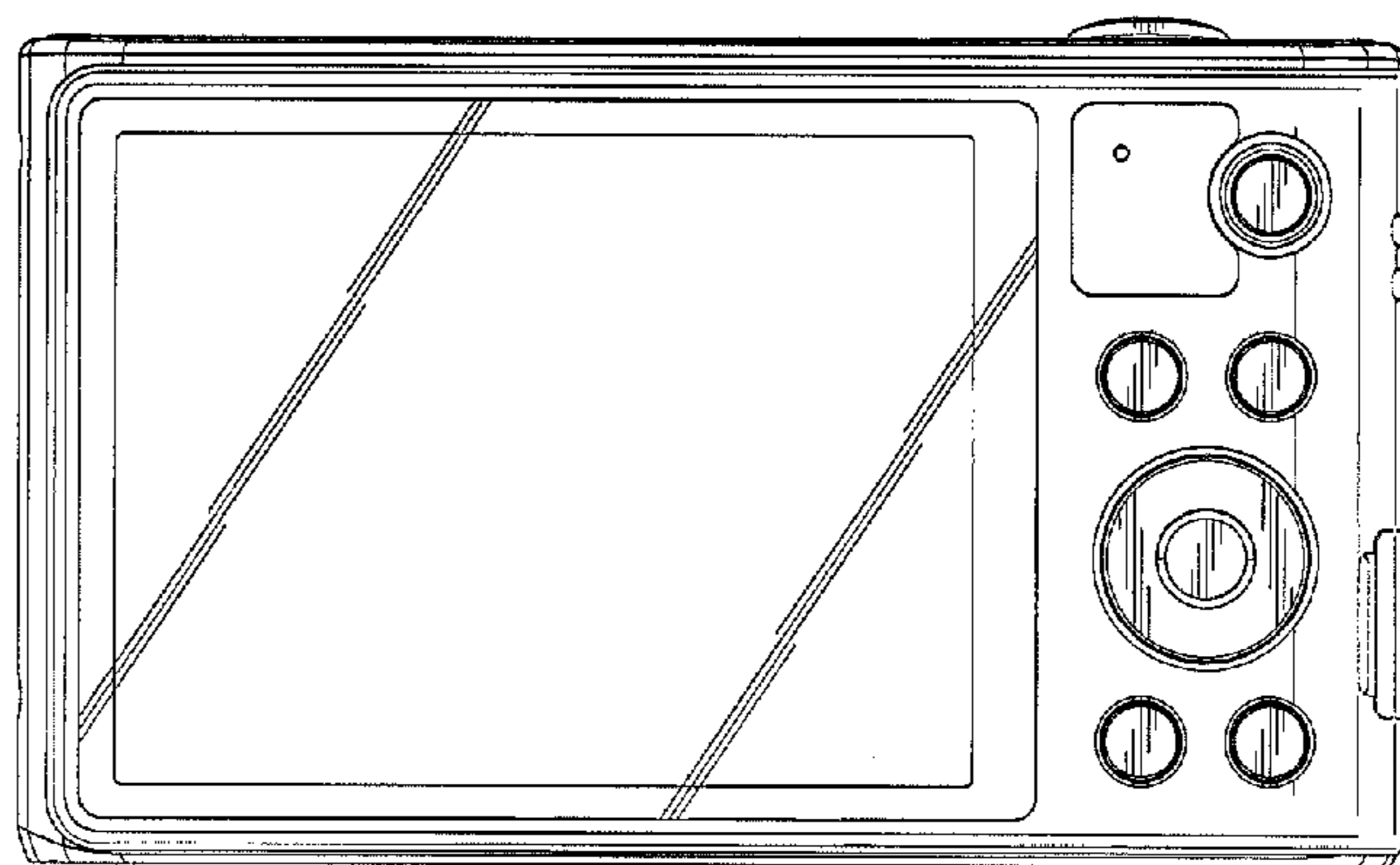
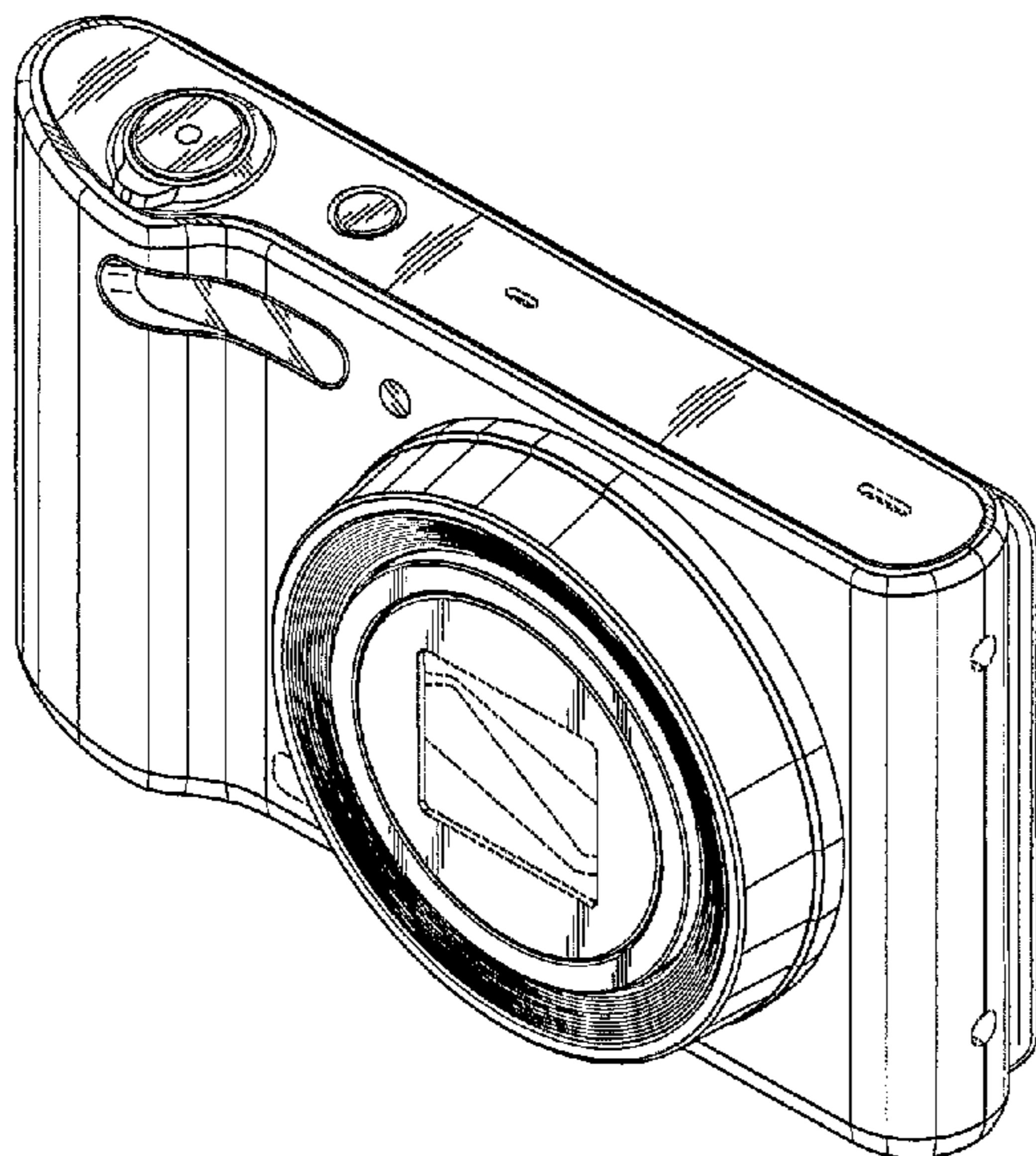
The ornamental design for a digital camera, as shown and described.

**DESCRIPTION**

FIG. 1 is a top, front and right side perspective view of a digital camera showing my new design;  
FIG. 2 is a front elevational view thereof;  
FIG. 3 is a rear elevational view thereof;  
FIG. 4 left side elevational view thereof;  
FIG. 5 is right side elevational view thereof;  
FIG. 6 is a top plan view thereof; and,  
FIG. 7 is a bottom plan view thereof.

The broken lines shown in the drawings are directed to environment and are for illustration purpose only; the broken lines form no part of the claimed design.

**1 Claim, 3 Drawing Sheets**



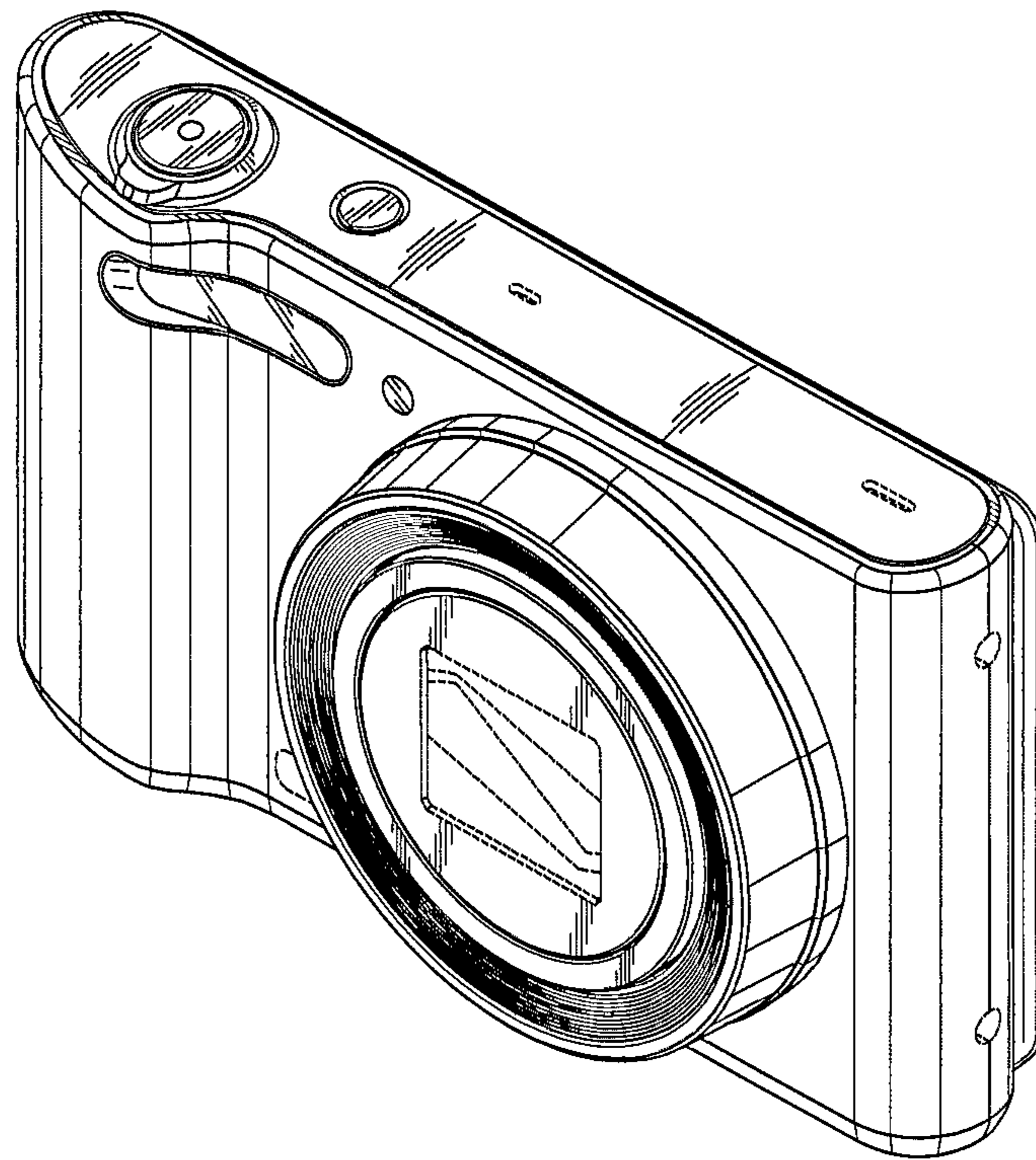


FIG.1

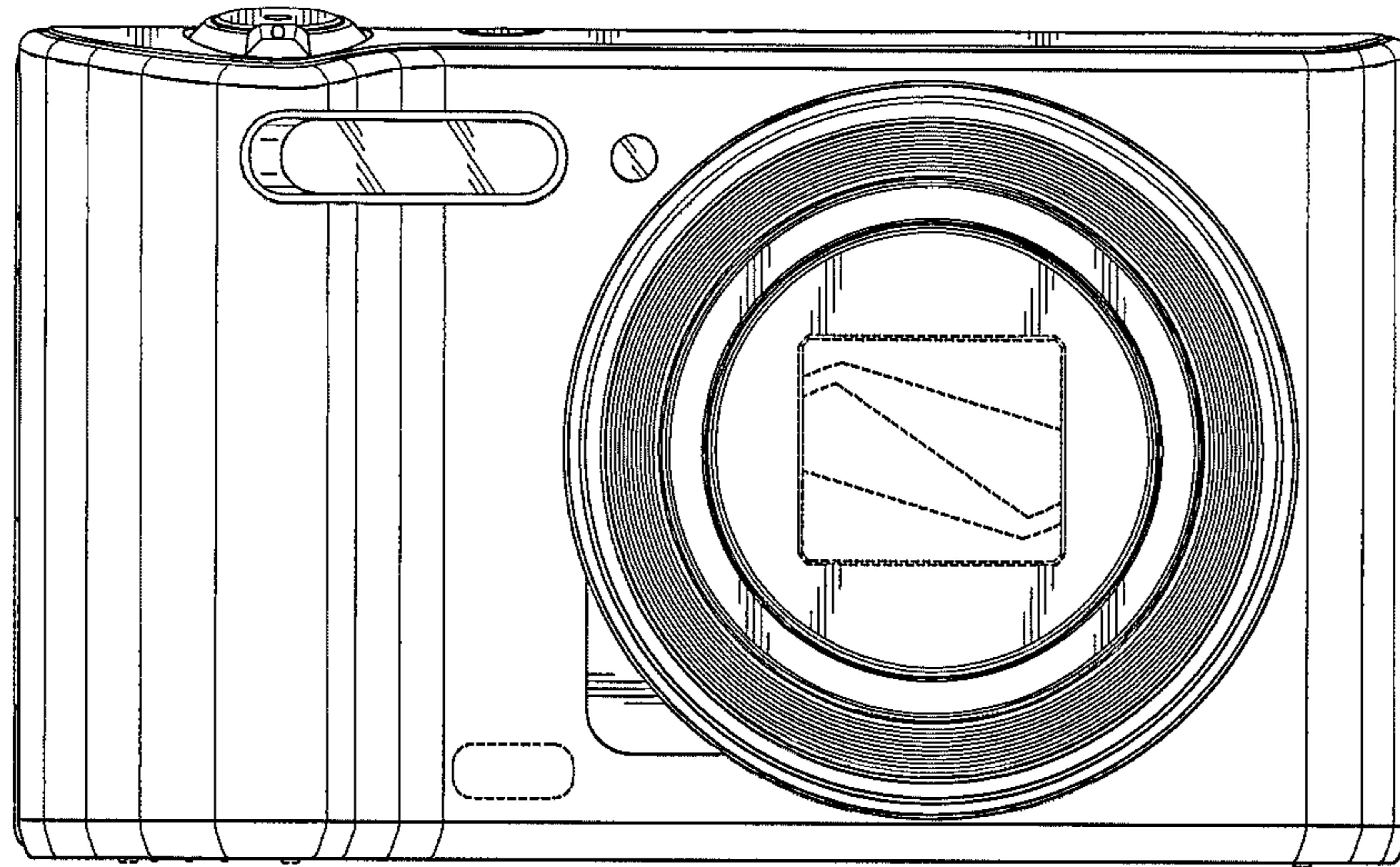


FIG.2

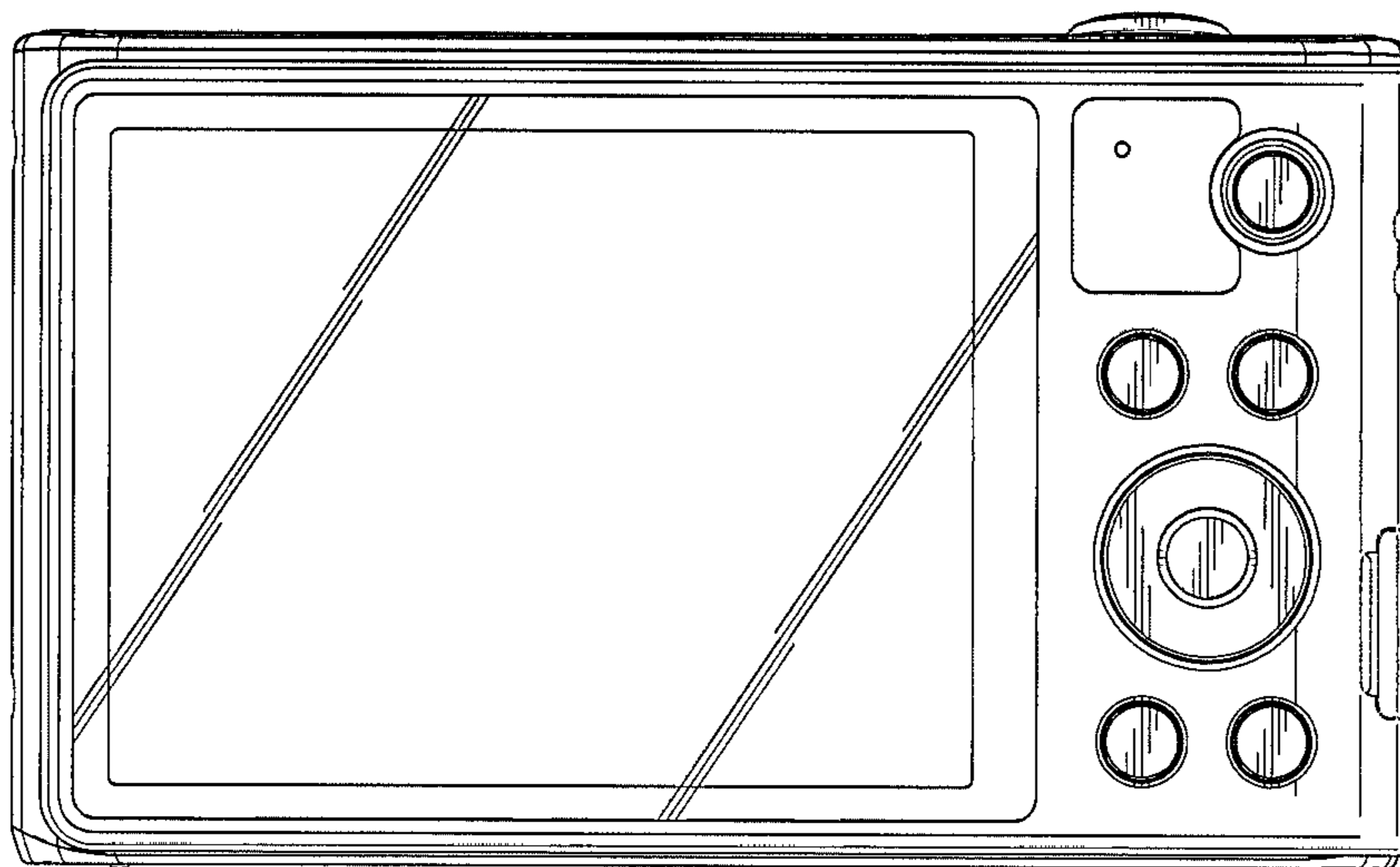


FIG.3

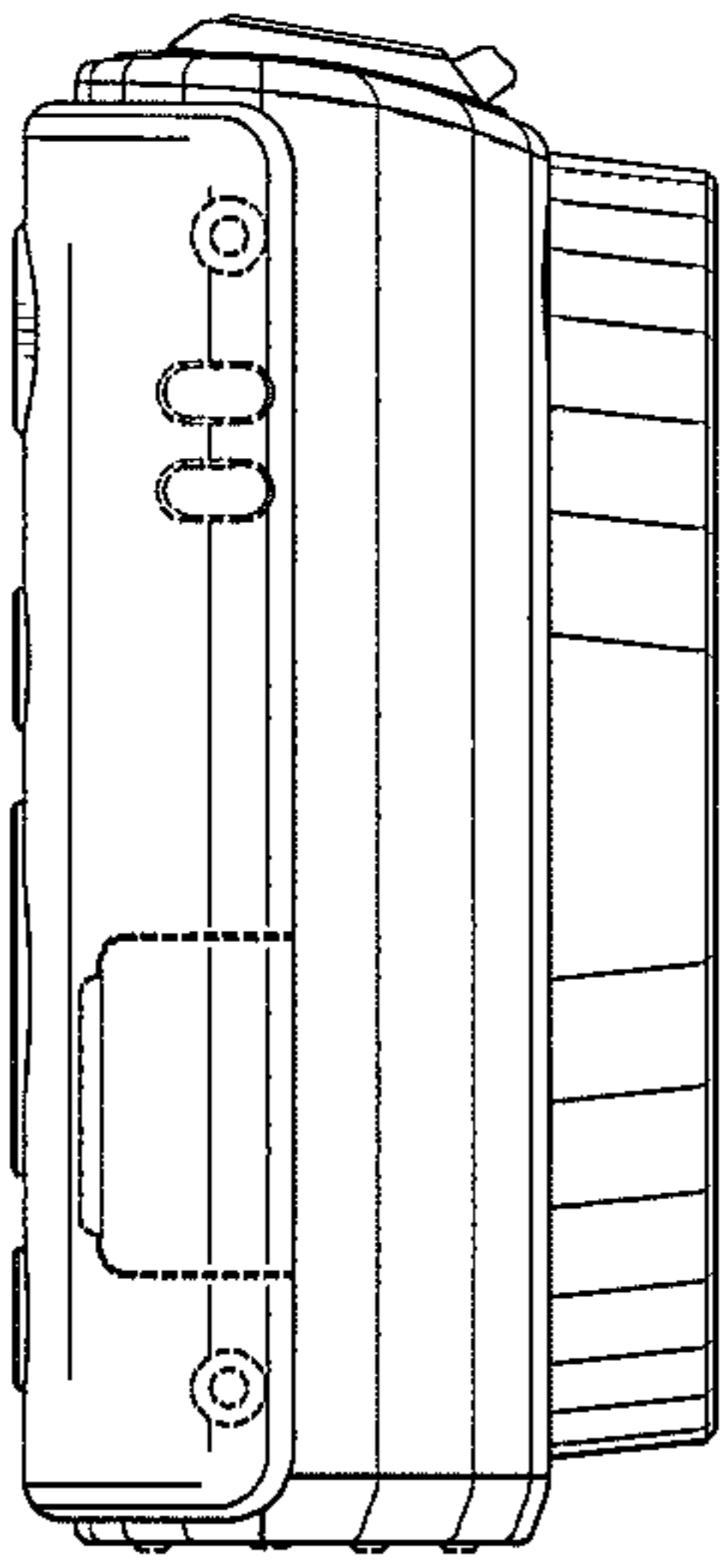


FIG.4

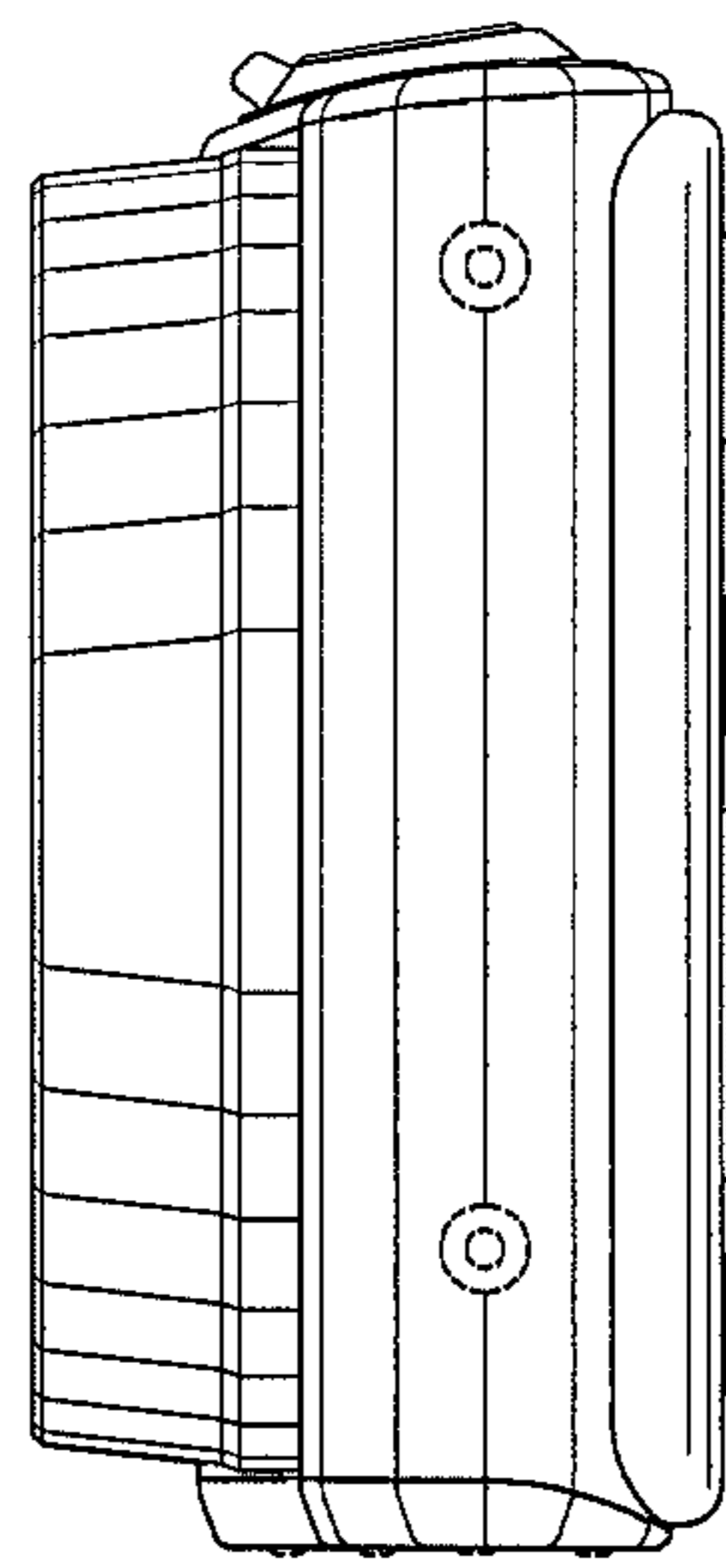


FIG.5

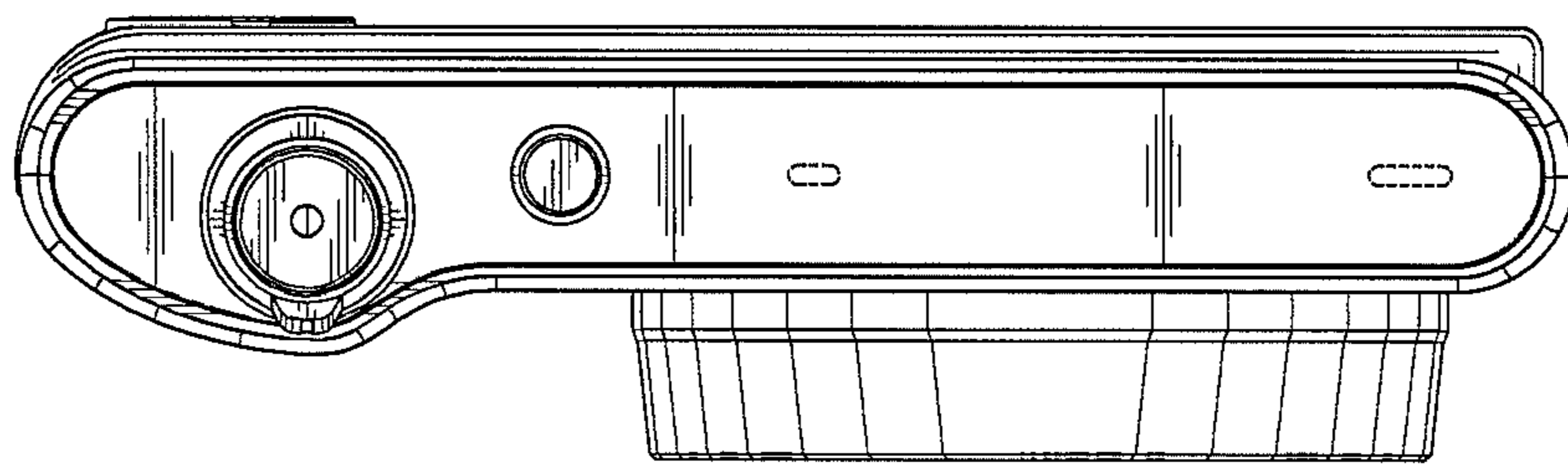


FIG.6

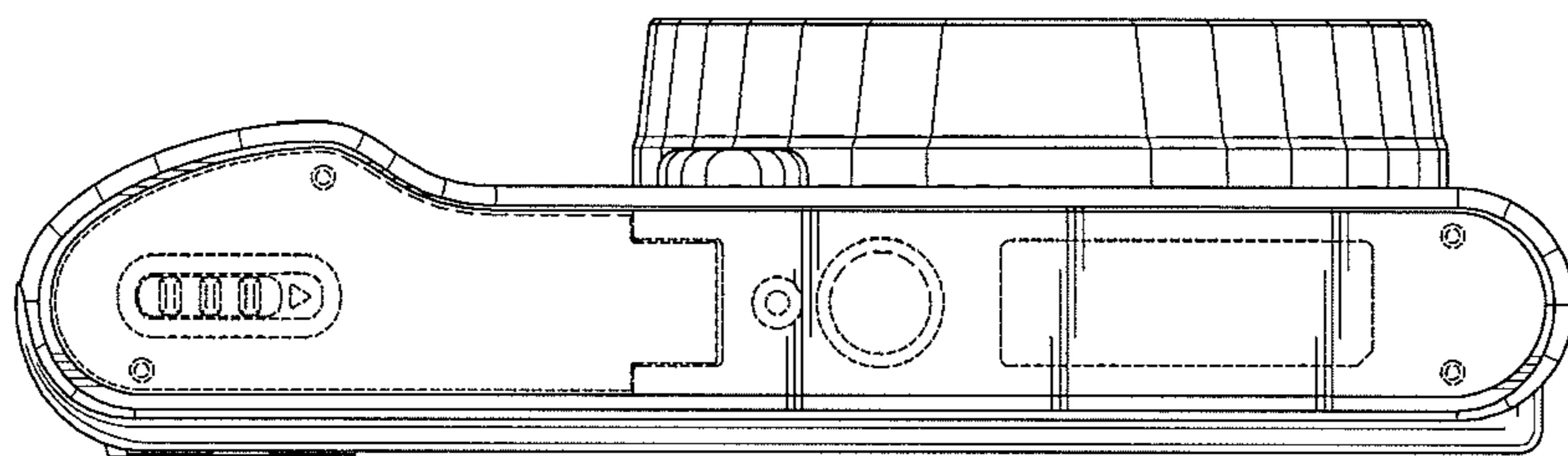


FIG.7