



US00D712948S

(12) **United States Design Patent**
Chai

(10) **Patent No.:** **US D712,948 S**

(45) **Date of Patent:** **** Sep. 9, 2014**

(54) **DIGITAL CAMERA**

(71) Applicant: **Samsung Electronics Co., Ltd.,**
Suwon-si (KR)

(72) Inventor: **Ki-Byung Chai,** Seoul (KR)

(73) Assignee: **Samsung Electronics Co., Ltd.,**
Suwon-Si (KR)

(**) Term: **14 Years**

(21) Appl. No.: **29/459,936**

(22) Filed: **Jul. 5, 2013**

(30) **Foreign Application Priority Data**

Jan. 5, 2013 (KR) 30-2013-0000758

(51) **LOC (10) Cl.** **16-01**

(52) **U.S. Cl.**
USPC **D16/202**

(58) **Field of Classification Search**
USPC D16/200, 202, 204, 206, 208, 218;
348/373-376; 396/535-541
See application file for complete search history.

(56) **References Cited**

U.S. PATENT DOCUMENTS

D634,766 S * 3/2011 Ham D16/202
D635,604 S * 4/2011 Sul et al. D16/202

7,929,859 B2 * 4/2011 Saiki 396/535
D665,002 S * 8/2012 Kwon et al. D16/202
D669,928 S * 10/2012 Noh D16/202
D685,834 S * 7/2013 Chai et al. D16/202
D694,303 S * 11/2013 Ham et al. D16/202
D695,328 S * 12/2013 Sul D16/202
D695,803 S * 12/2013 Kyunghan et al. D16/202

* cited by examiner

Primary Examiner — Adir Aronovich

(74) *Attorney, Agent, or Firm* — Staas & Halsey LLP

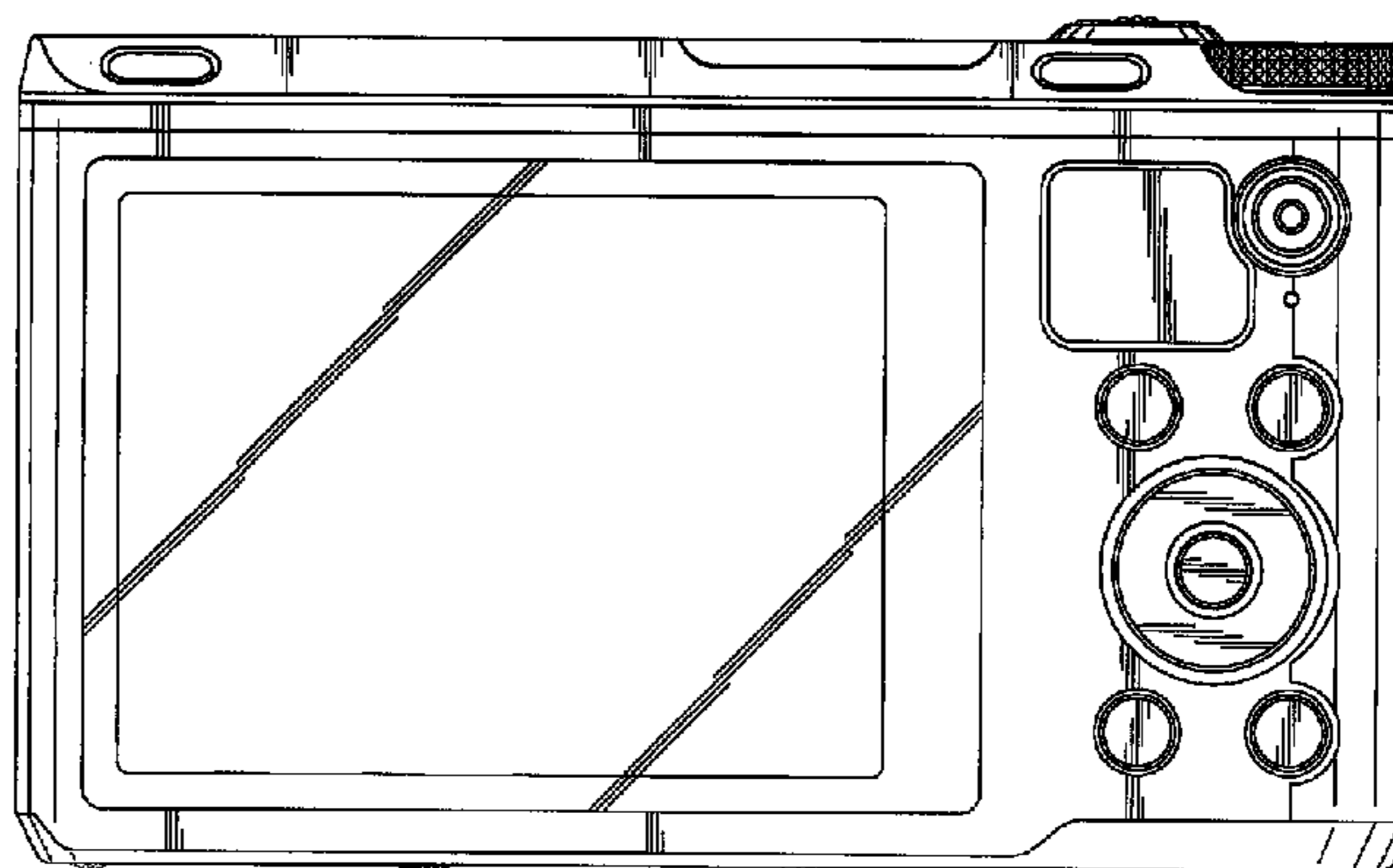
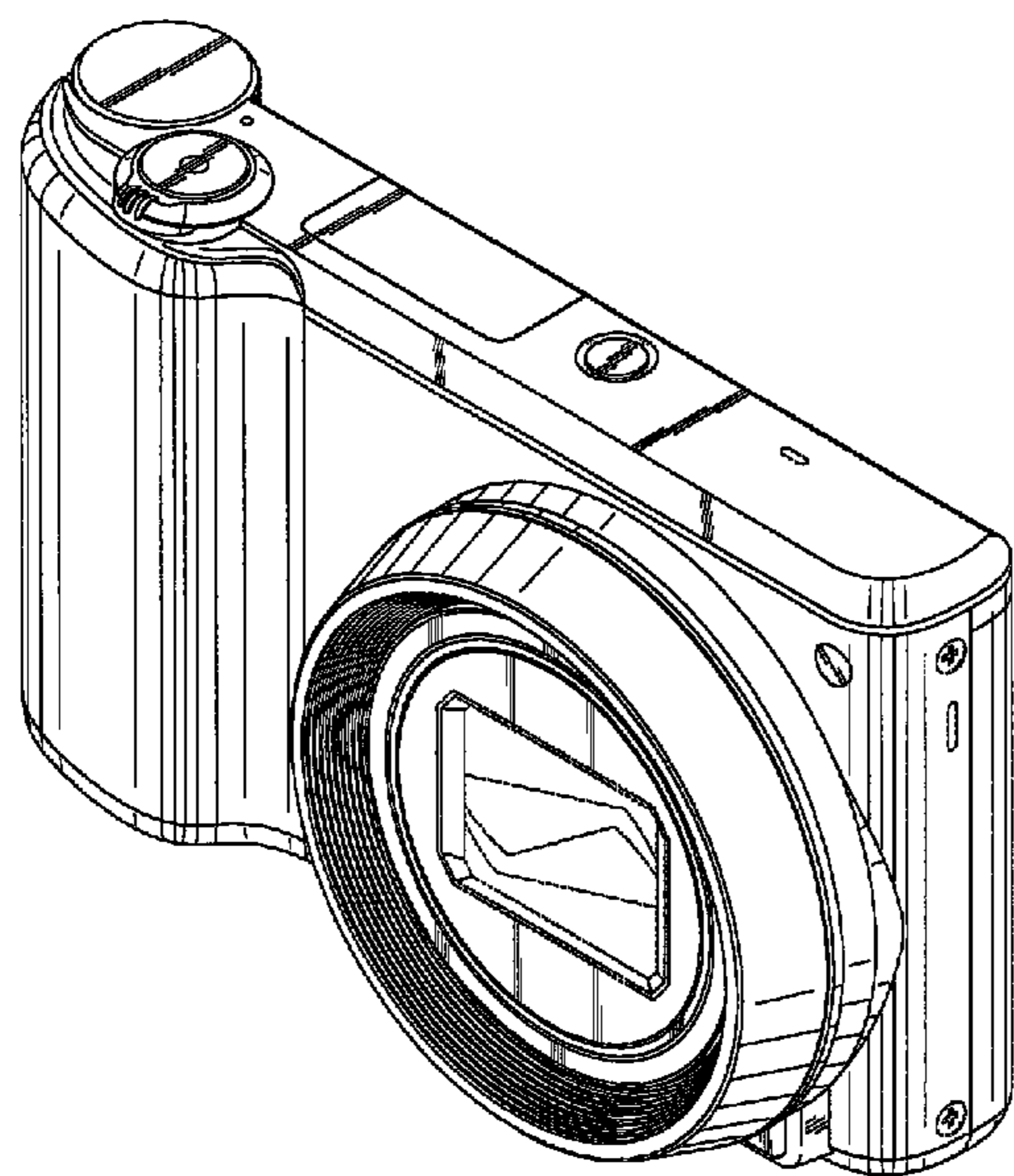
(57) **CLAIM**

The ornamental design for a digital camera, as shown and described. -

DESCRIPTION

FIG. 1 is a top, front and right side perspective view of a digital camera showing my new design;
FIG. 2 is a front elevational view thereof;
FIG. 3 is a rear elevational view thereof;
FIG. 4 left side elevational view thereof;
FIG. 5 is right side elevational view thereof;
FIG. 6 is a top plan view thereof; and,
FIG. 7 is a bottom plan view thereof.
The broken lines shown in the drawings are directed to environment and are for illustration purpose only; the broken lines form no part of the claimed design.

1 Claim, 4 Drawing Sheets



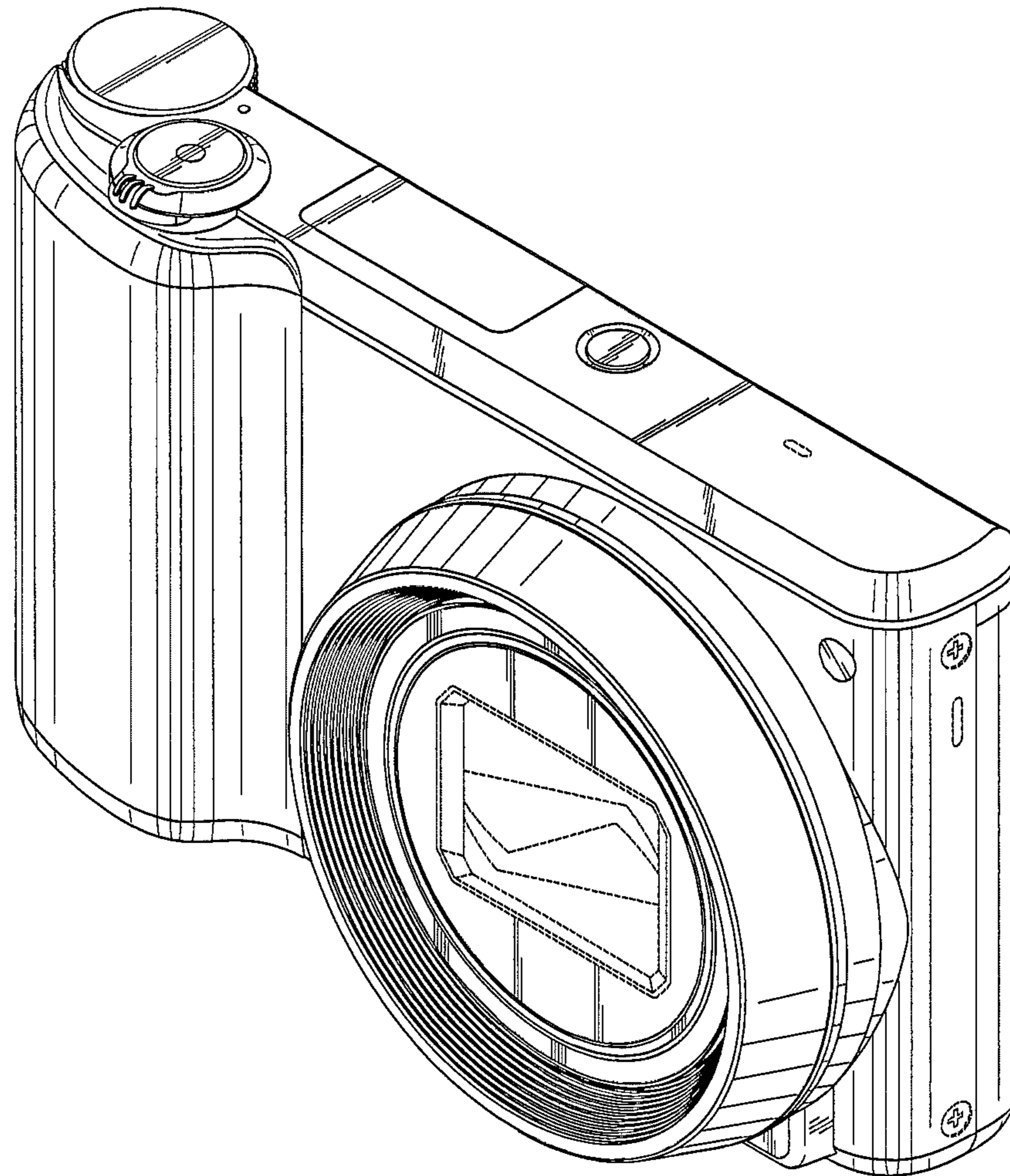


FIG.1

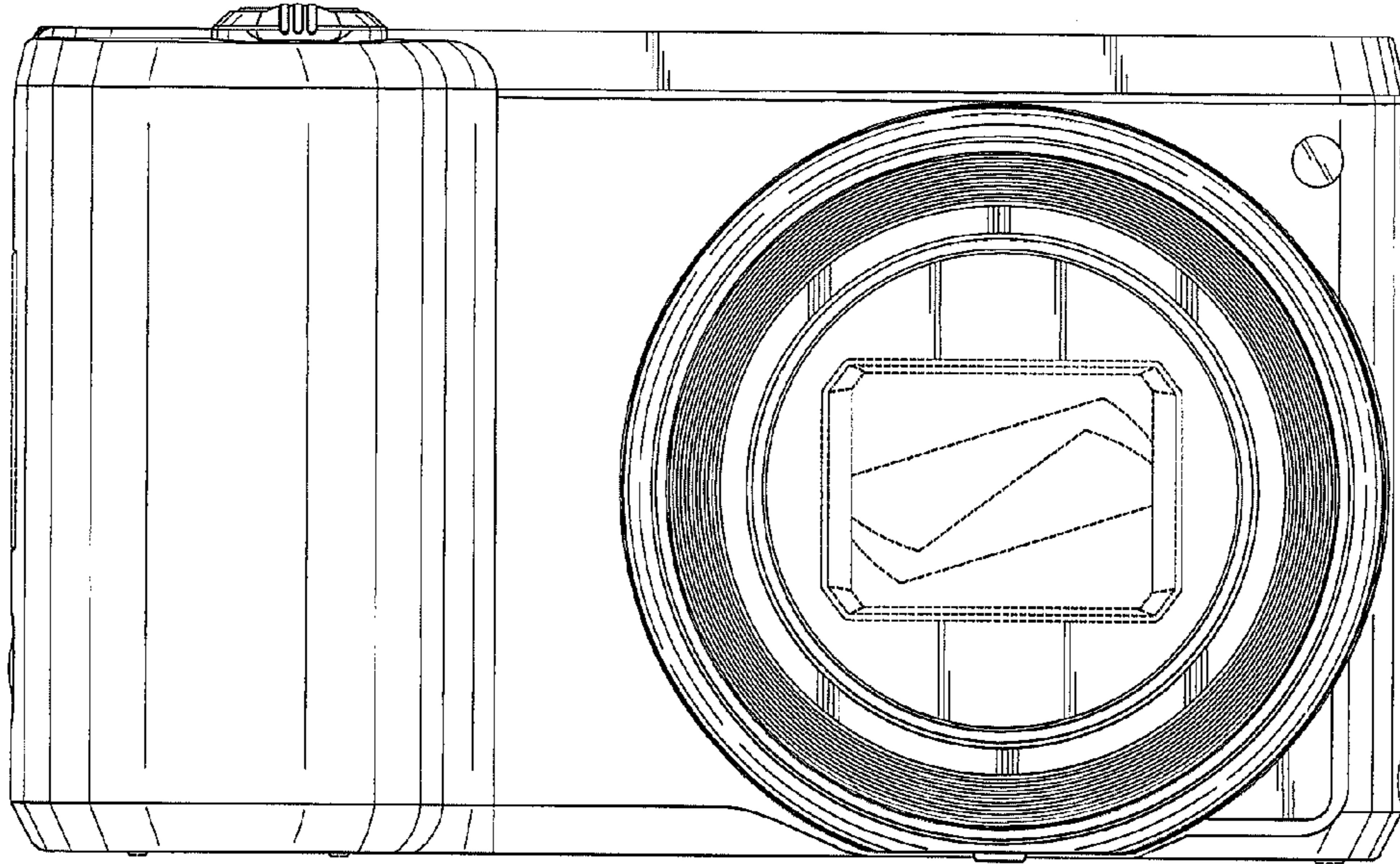


FIG.2

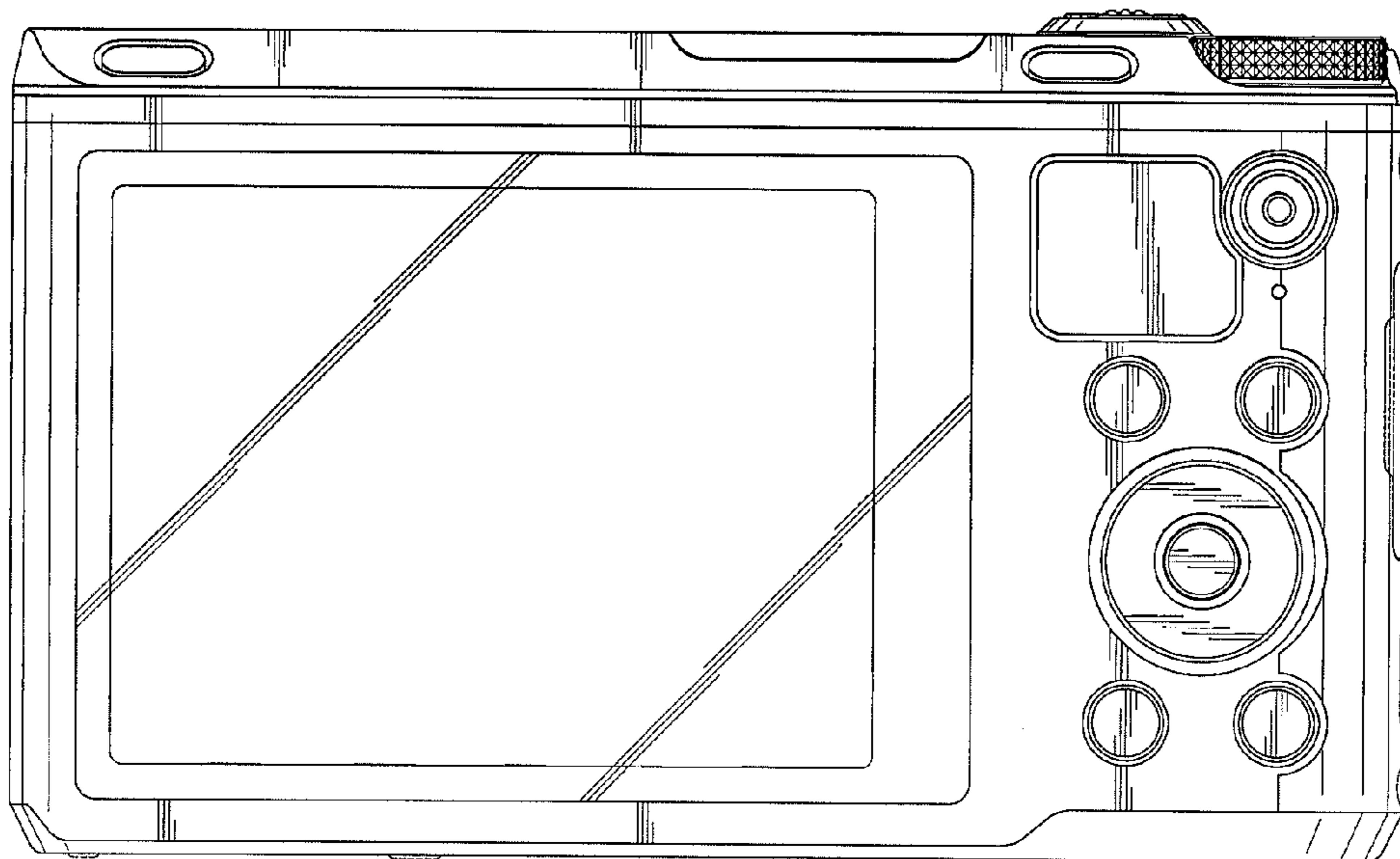


FIG.3

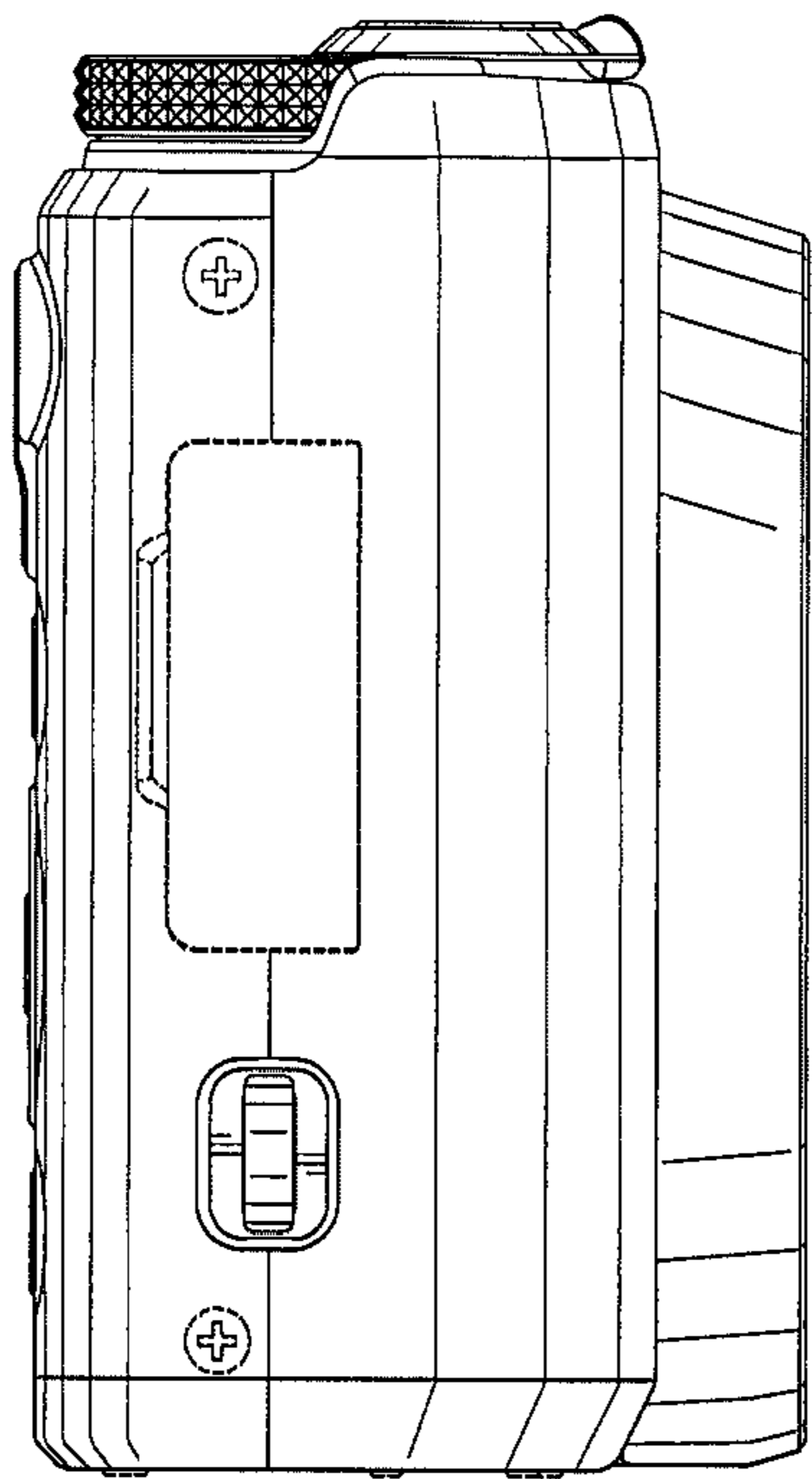


FIG.4

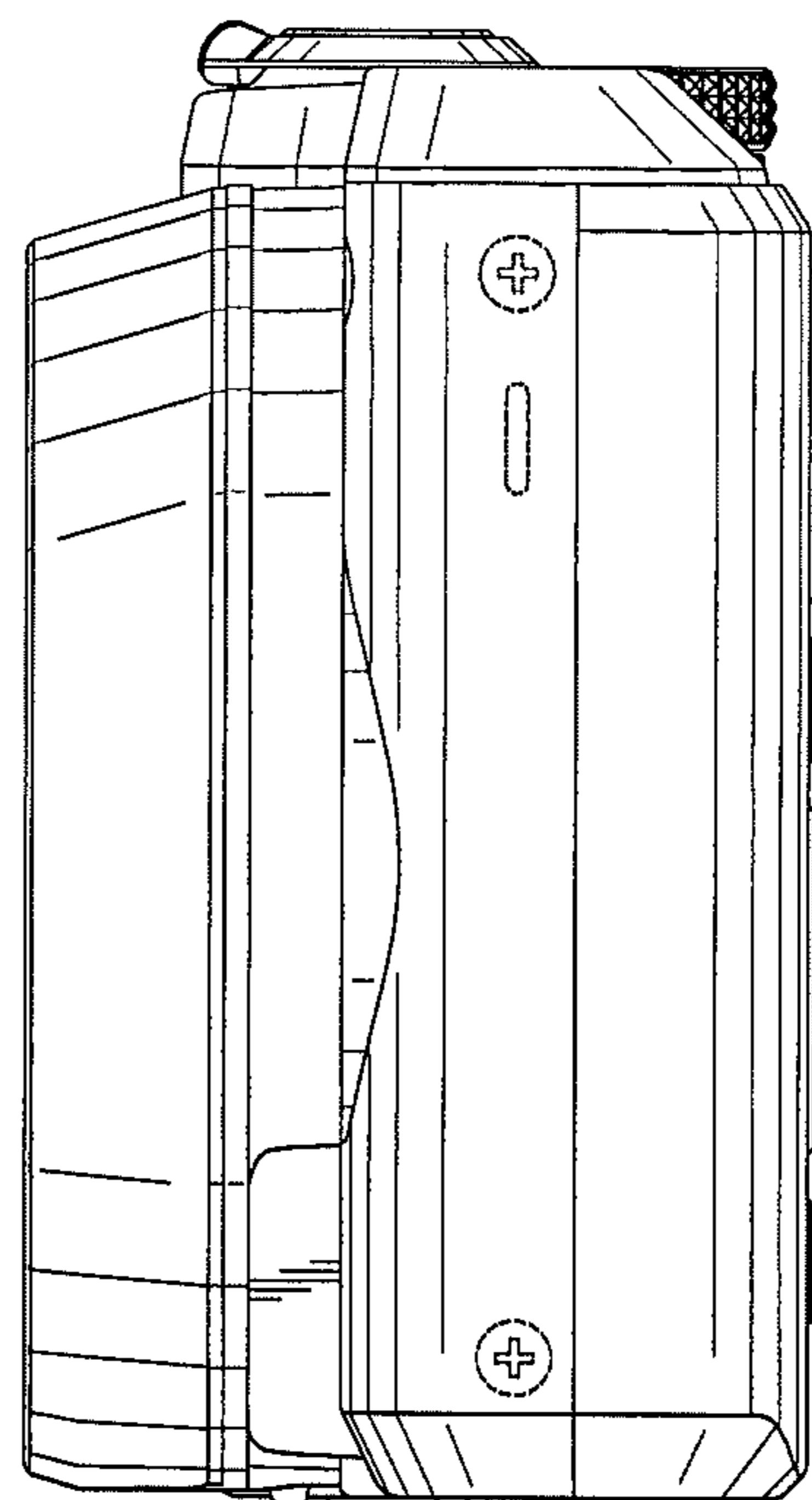


FIG.5

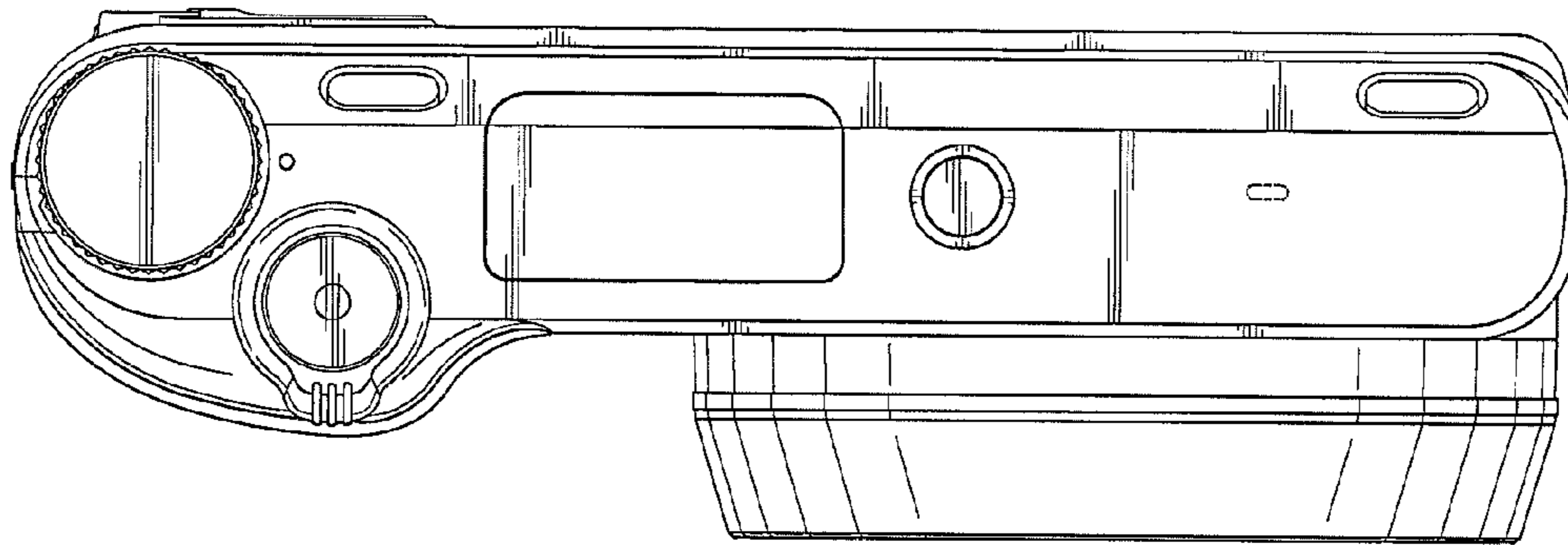


FIG. 6

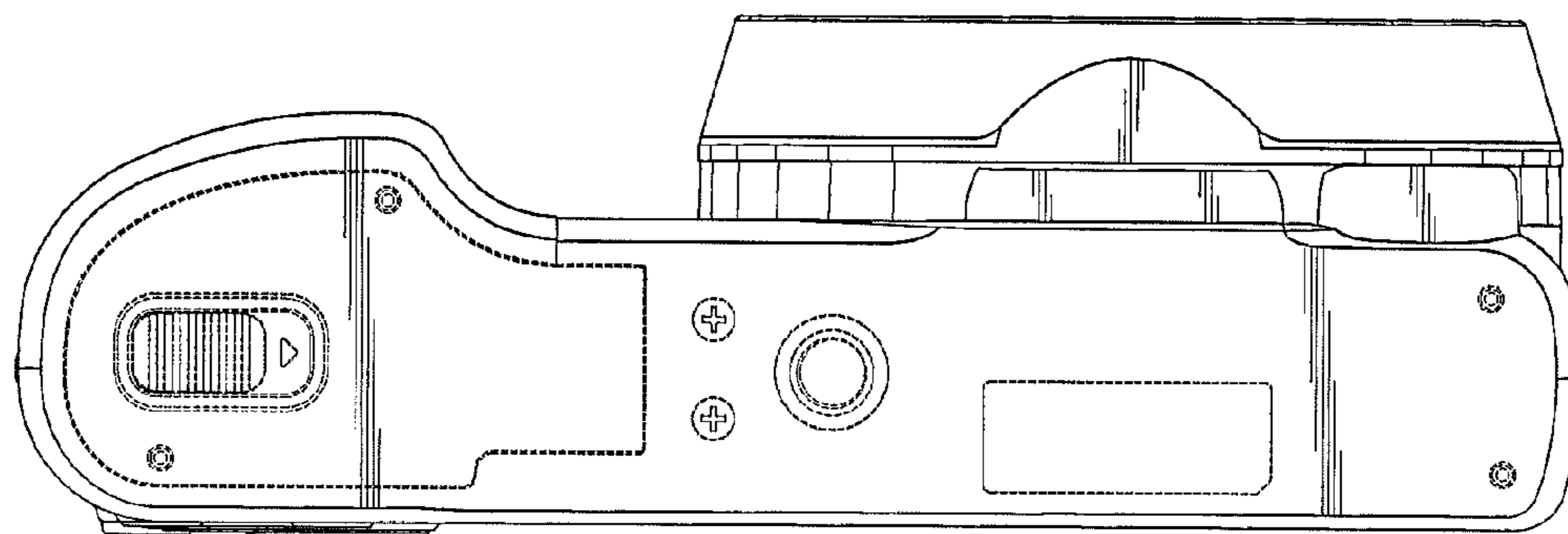


FIG. 7