



US00D712946S

(12) **United States Design Patent**  
**Hong**

(10) **Patent No.:** **US D712,946 S**

(45) **Date of Patent:** **\*\* Sep. 9, 2014**

(54) **CAMERA**

(71) Applicant: **Samsung Electronics Co., Ltd.,**  
Suwon-si (KR)

(72) Inventor: **Young-Soo Hong,** Goyang-Si (KR)

(73) Assignee: **Samsung Electronics Co., Ltd.,**  
Suowon-si (KR)

(\*\*) Term: **14 Years**

(21) Appl. No.: **29/459,925**

(22) Filed: **Jul. 4, 2013**

(30) **Foreign Application Priority Data**

Jan. 5, 2013 (KR) ..... 30-2013-0000745

(51) **LOC (10) Cl.** ..... **16-01**

(52) **U.S. Cl.**  
USPC ..... **D16/202; D16/242**

(58) **Field of Classification Search**  
USPC ..... D16/200, 202, 208, 218, 242;  
348/14.01, 373-376; 396/419, 535,  
396/540, 541  
See application file for complete search history.

(56) **References Cited**

**U.S. PATENT DOCUMENTS**

D619,484 S \* 7/2010 Ikeda et al. .... D10/106.7  
7,775,486 B2 \* 8/2010 Depay et al. .... 348/373

D662,532 S \* 6/2012 Chang ..... D16/202  
D665,441 S \* 8/2012 McManigal ..... D16/202  
D669,111 S \* 10/2012 Ravi et al. .... D16/202  
D675,660 S \* 2/2013 Su ..... D16/242  
D680,569 S \* 4/2013 Lee et al. .... D16/202  
D682,332 S \* 5/2013 Wang et al. .... D16/242  
D685,015 S \* 6/2013 Wang et al. .... D16/202

\* cited by examiner

*Primary Examiner* — Adir Aronovich

(74) *Attorney, Agent, or Firm* — NSIP Law

(57) **CLAIM**

The ornamental design for a camera, as shown and described.

**DESCRIPTION**

FIG. 1 is a top, front and right side perspective view of a camera showing my new design;  
FIG. 2 is a front elevational view thereof;  
FIG. 3 is a rear elevational view thereof;  
FIG. 4 left side elevational view thereof;  
FIG. 5 is right side elevational view thereof;  
FIG. 6 is a top plan view thereof;  
FIG. 7 is a bottom plan view thereof;  
FIG. 8 is another left side elevational view in which, a fragmentary display panel in broken lines is shown to illustrate environment only and form no part of the claimed design;  
and,  
FIG. 9 is a top, rear and right side perspective view thereof.

**1 Claim, 8 Drawing Sheets**

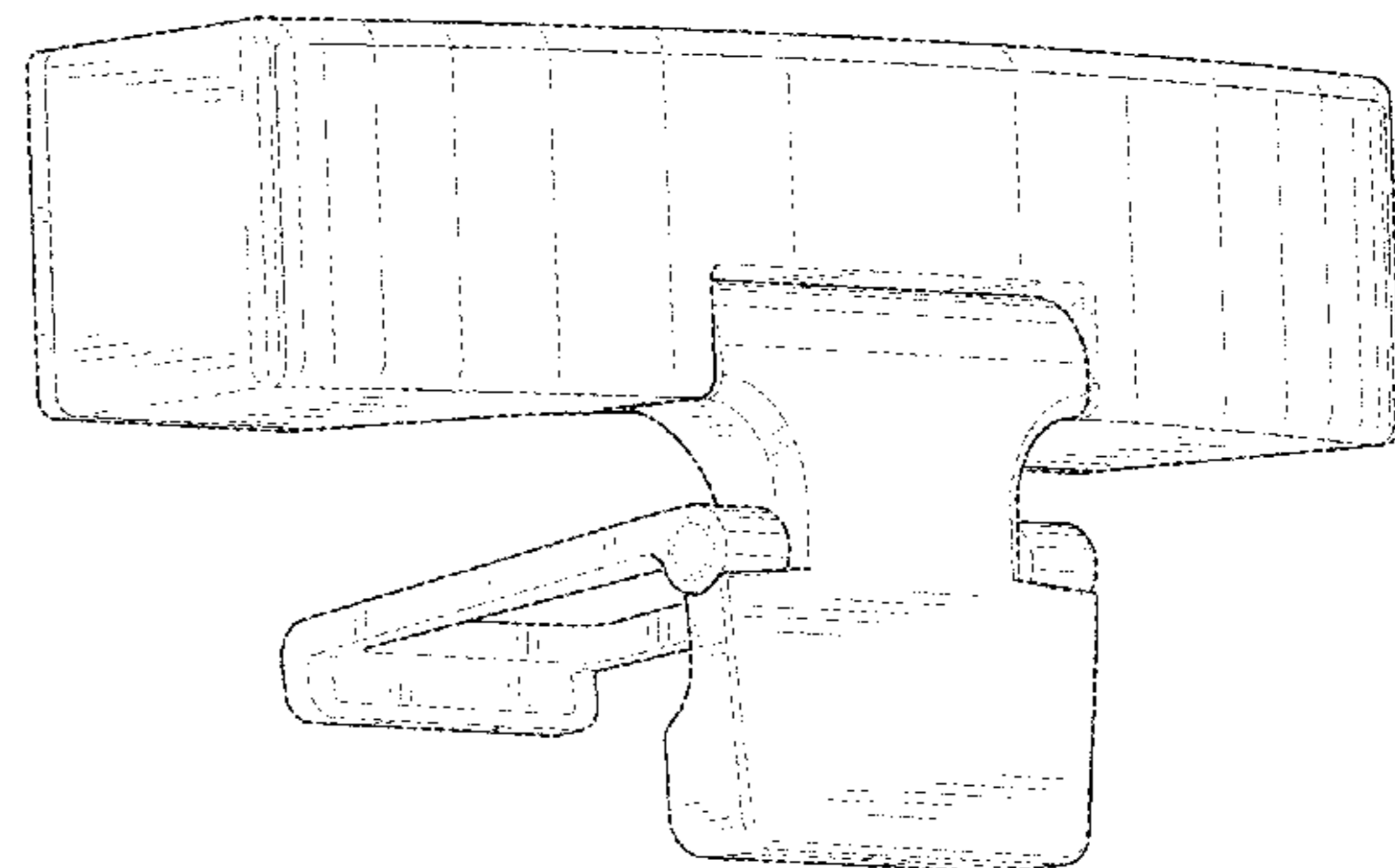
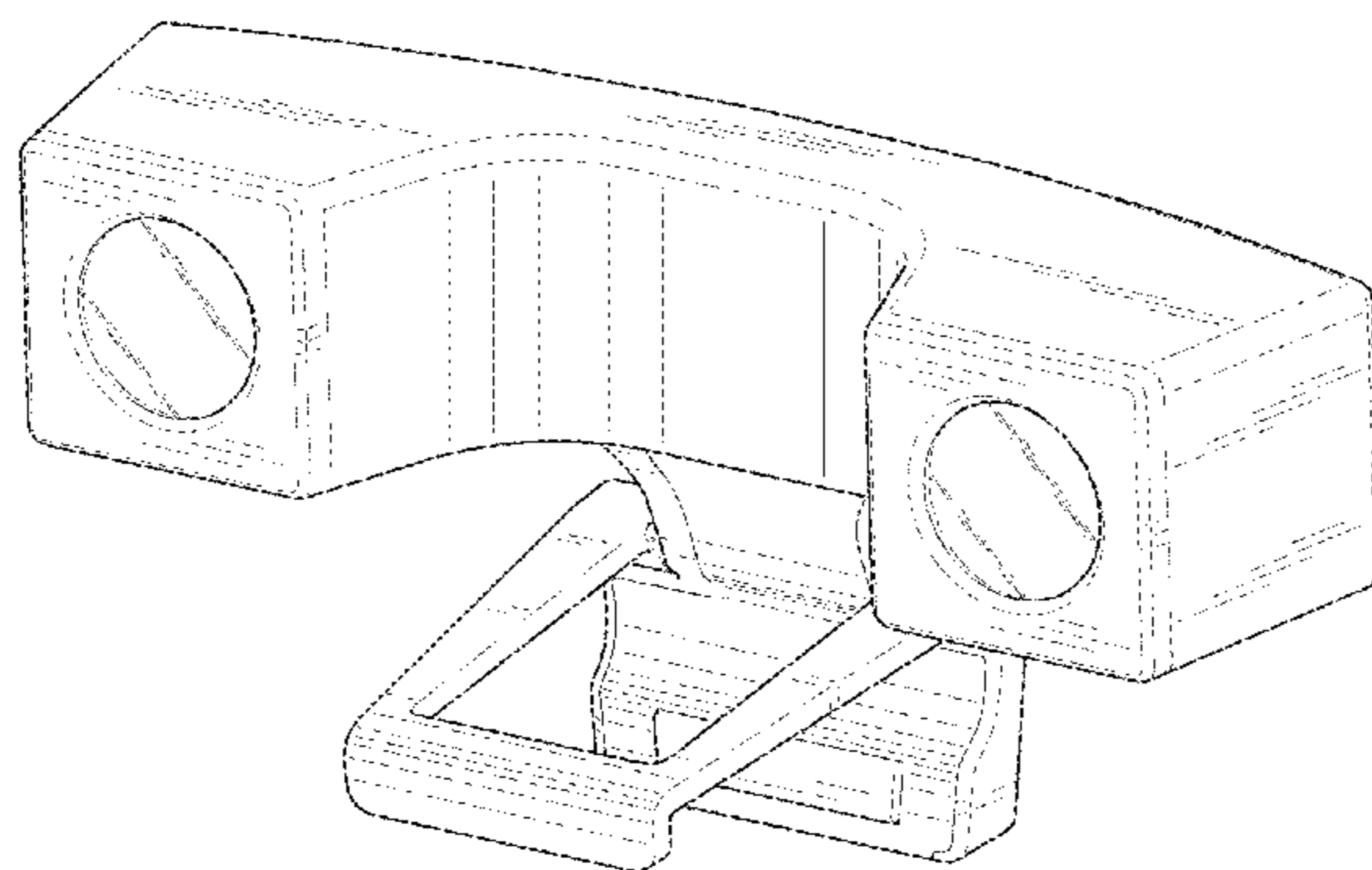


FIG. 1

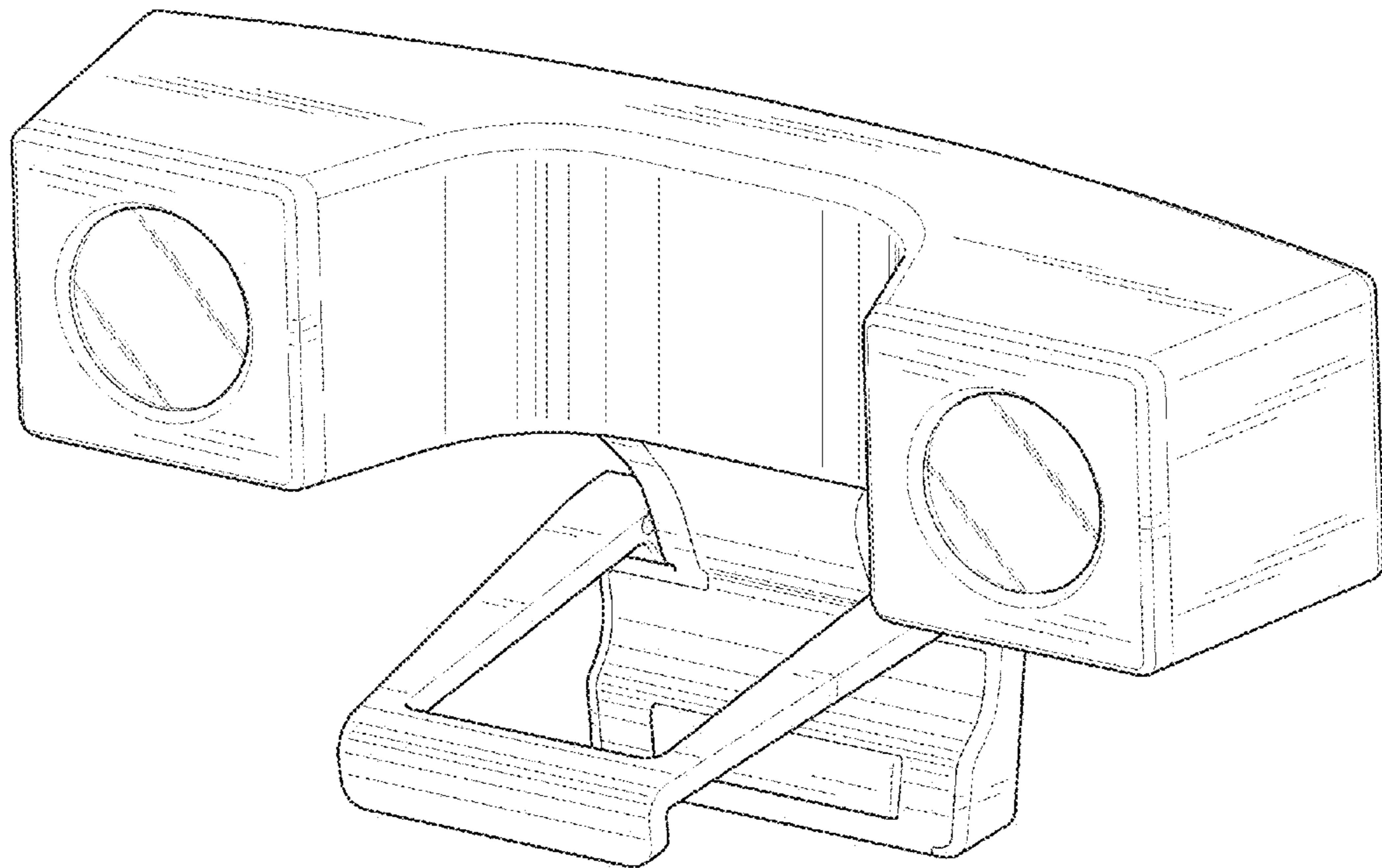


FIG. 2

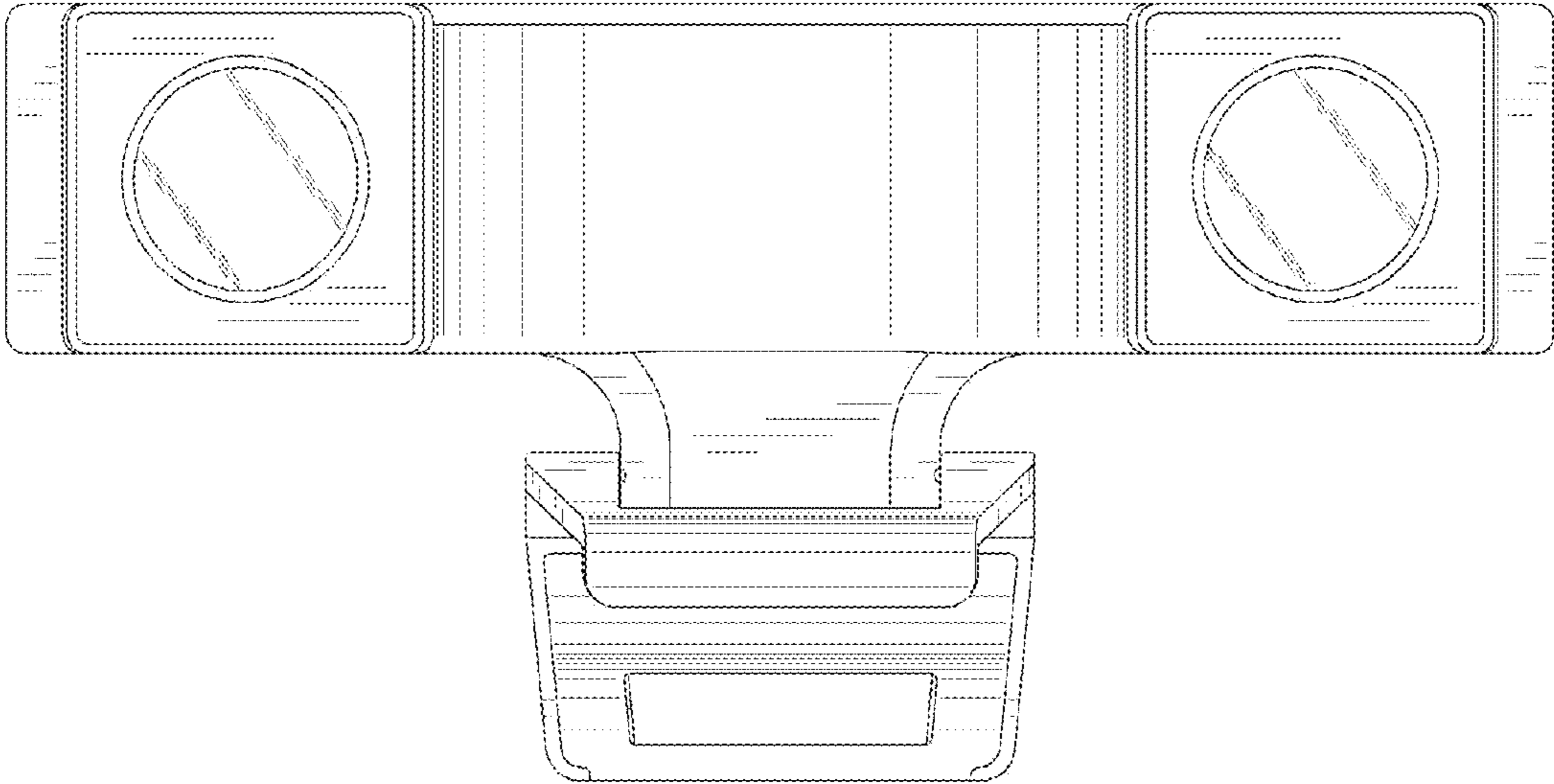


FIG. 3

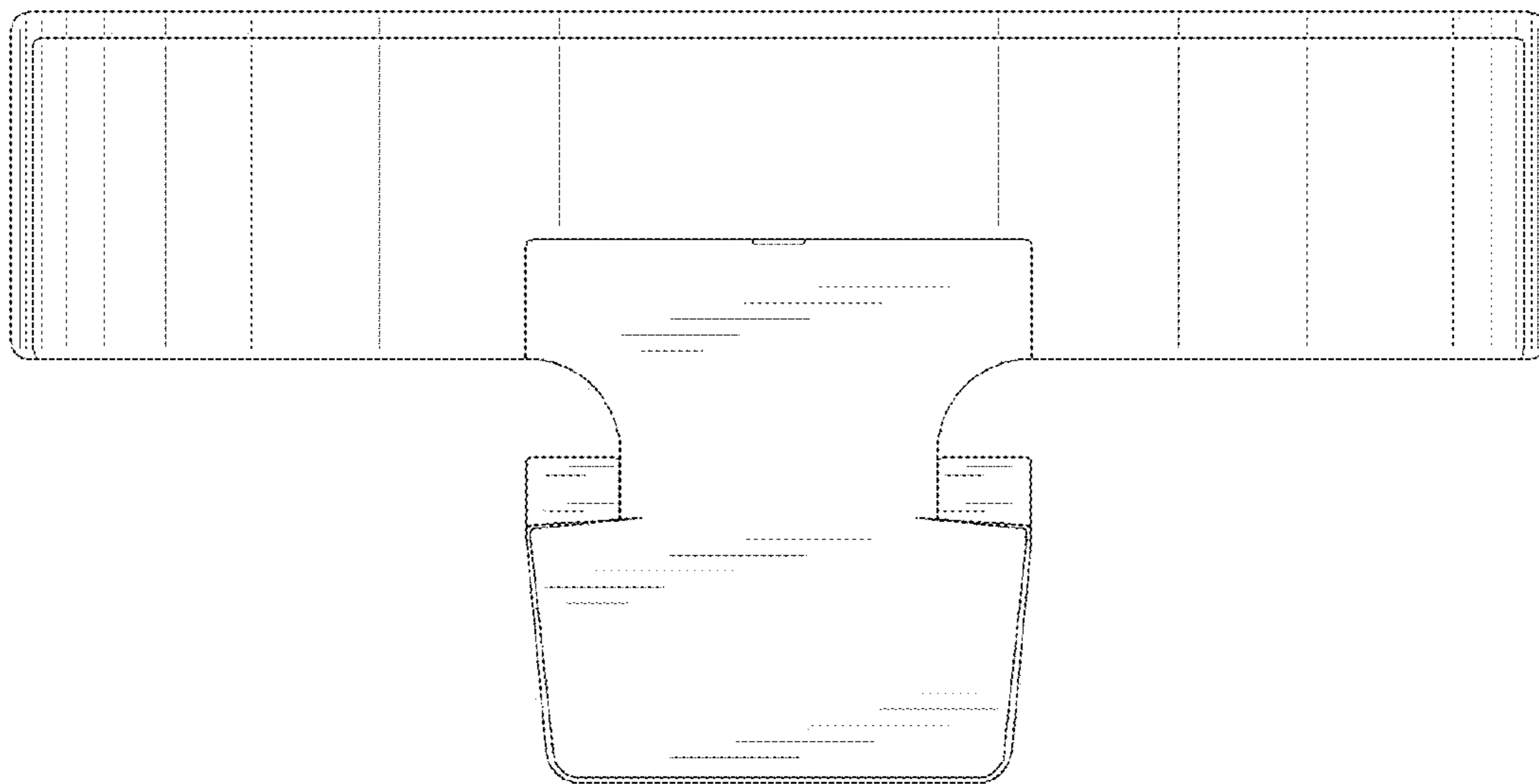


FIG. 4

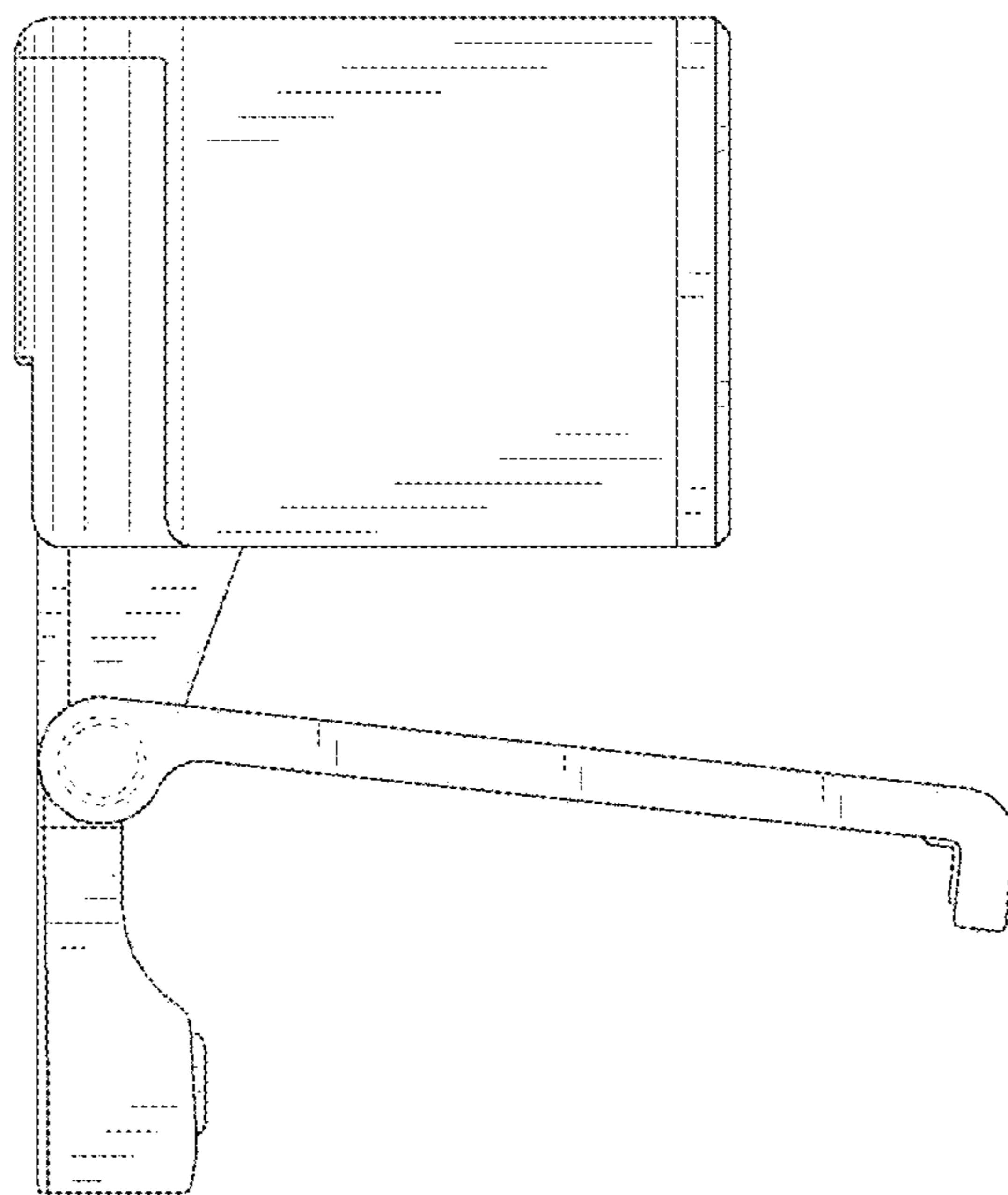


FIG. 5

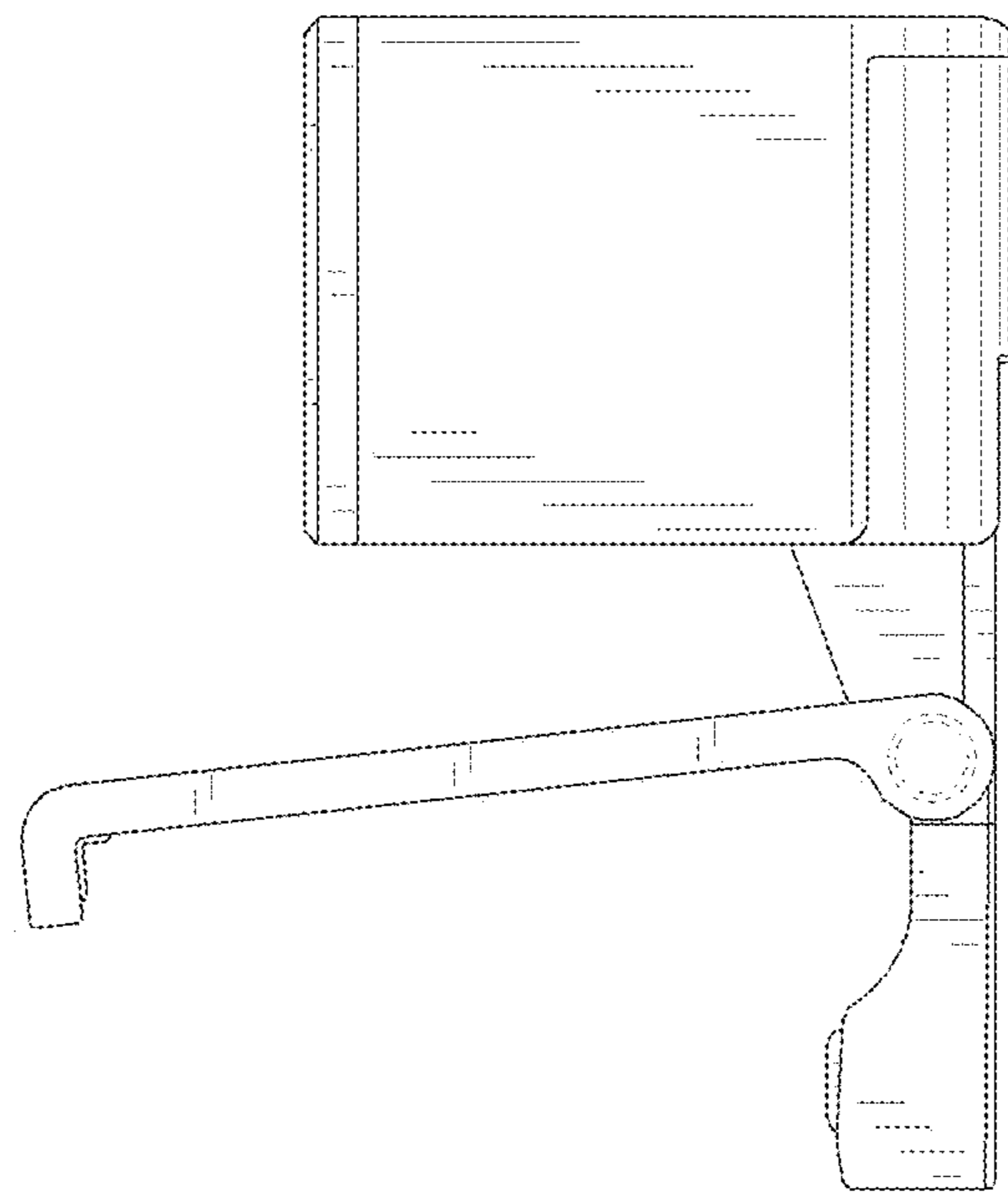


FIG. 6

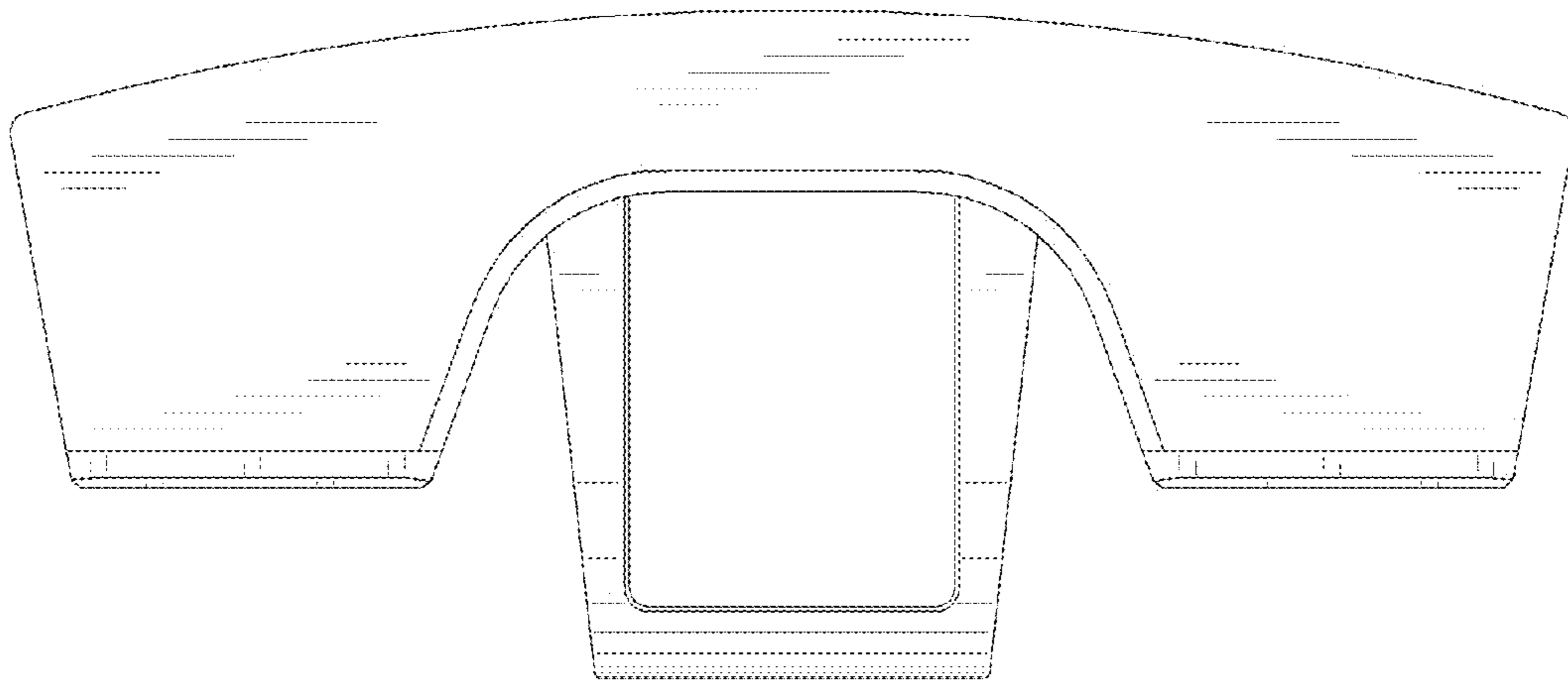


FIG. 7

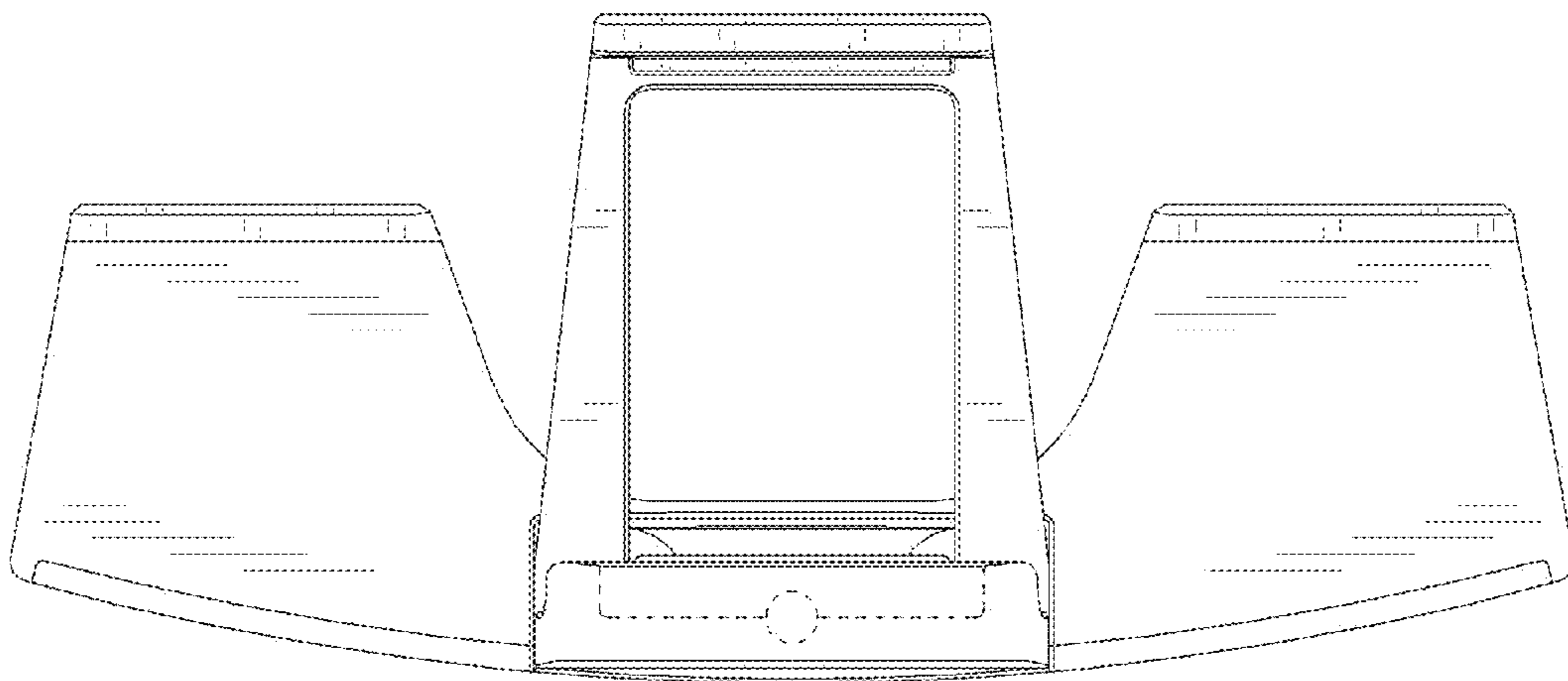


FIG. 8

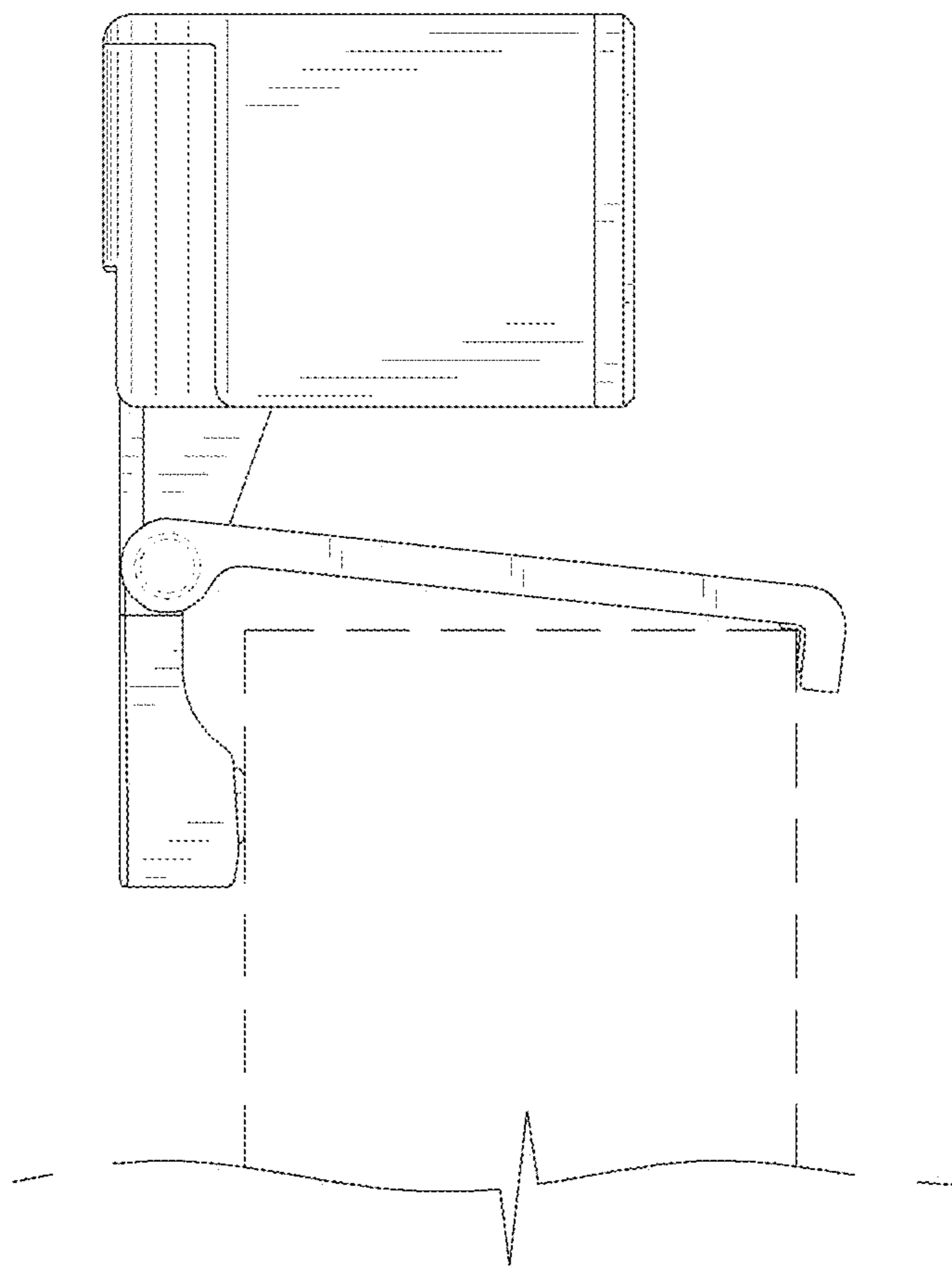




FIG. 9

