



US00D712945S

(12) **United States Design Patent**  
**Brucksch**

(10) **Patent No.:** **US D712,945 S**  
(45) **Date of Patent:** **\*\* Sep. 9, 2014**

(54) **TELESCOPE-HANDLING ARM**

(71) Applicant: **Joachim Brucksch**, Kusterdingen (DE)

(72) Inventor: **Joachim Brucksch**, Kusterdingen (DE)

(73) Assignee: **Vallon GmbH**, Eningen (DE)

(\*\*) Term: **14 Years**

(21) Appl. No.: **29/462,362**

(22) Filed: **Aug. 1, 2013**

(51) **LOC (10) Cl.** ..... **16-01**

(52) **U.S. Cl.**  
USPC ..... **D16/132**

(58) **Field of Classification Search**  
CPC ..... G02B 23/00  
USPC ..... D16/132, 136; 359/430, 399, 406, 229;  
248/125.8, 278.1, 904, 121; 403/54,  
403/109.5; D8/107, 355; D14/229  
See application file for complete search history.

(56) **References Cited**

**U.S. PATENT DOCUMENTS**

1,255,185	A *	2/1918	Lehmkuhl	248/282.1
1,942,925	A *	1/1934	Jenkins	248/123.2
2,806,416	A *	9/1957	Jones, Jr.	294/139
3,284,103	A *	11/1966	Polzin et al.	403/72
3,289,563	A *	12/1966	Kent	396/422
3,324,254	A *	6/1967	Shaw et al.	381/363
3,747,886	A *	7/1973	Carlson et al.	248/325
3,887,155	A *	6/1975	Bertalot	248/333
3,951,511	A *	4/1976	Parsons	359/430
4,435,105	A *	3/1984	Ramplsey	409/109
D289,835	S *	5/1987	Schoenig et al.	D6/462
4,761,092	A *	8/1988	Nakatani	403/104
5,039,215	A *	8/1991	Hirabayashi	359/430
5,154,381	A *	10/1992	Malinao	248/178.1
5,275,364	A *	1/1994	Burger et al.	248/125.1
5,332,136	A *	7/1994	Rudolph	224/185
5,820,623	A *	10/1998	Ng	606/1
6,349,905	B1 *	2/2002	Mills	248/126

D519,820	S *	5/2006	Newman et al.	D8/107
D519,990	S *	5/2006	Lazor	D14/229
D522,550	S *	6/2006	Kung	D16/132
D649,992	S *	12/2011	Nusser	D16/131

(Continued)

*Primary Examiner* — Paula Greene

(74) *Attorney, Agent, or Firm* — Cascio & Zervas

(57) **CLAIM**

The ornamental design for a telescope-handling arm, as shown and described.

**DESCRIPTION**

FIG. 1 is a right side elevational view of the telescope handling arm showing my design in the unfolded condition in which the handling arm is in the fully extended position and securing a pivotally mounted detector at the distal end and the support rod is in a fully extended position, the left side being a mirror image thereof;

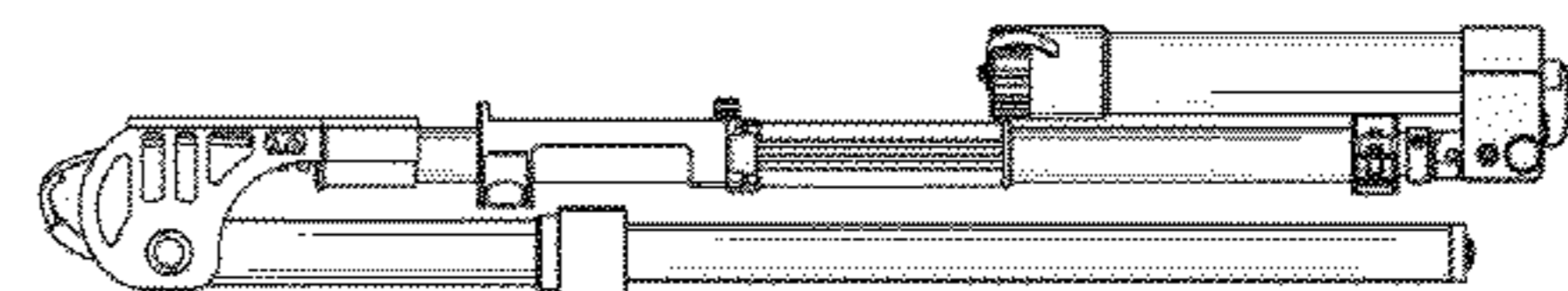
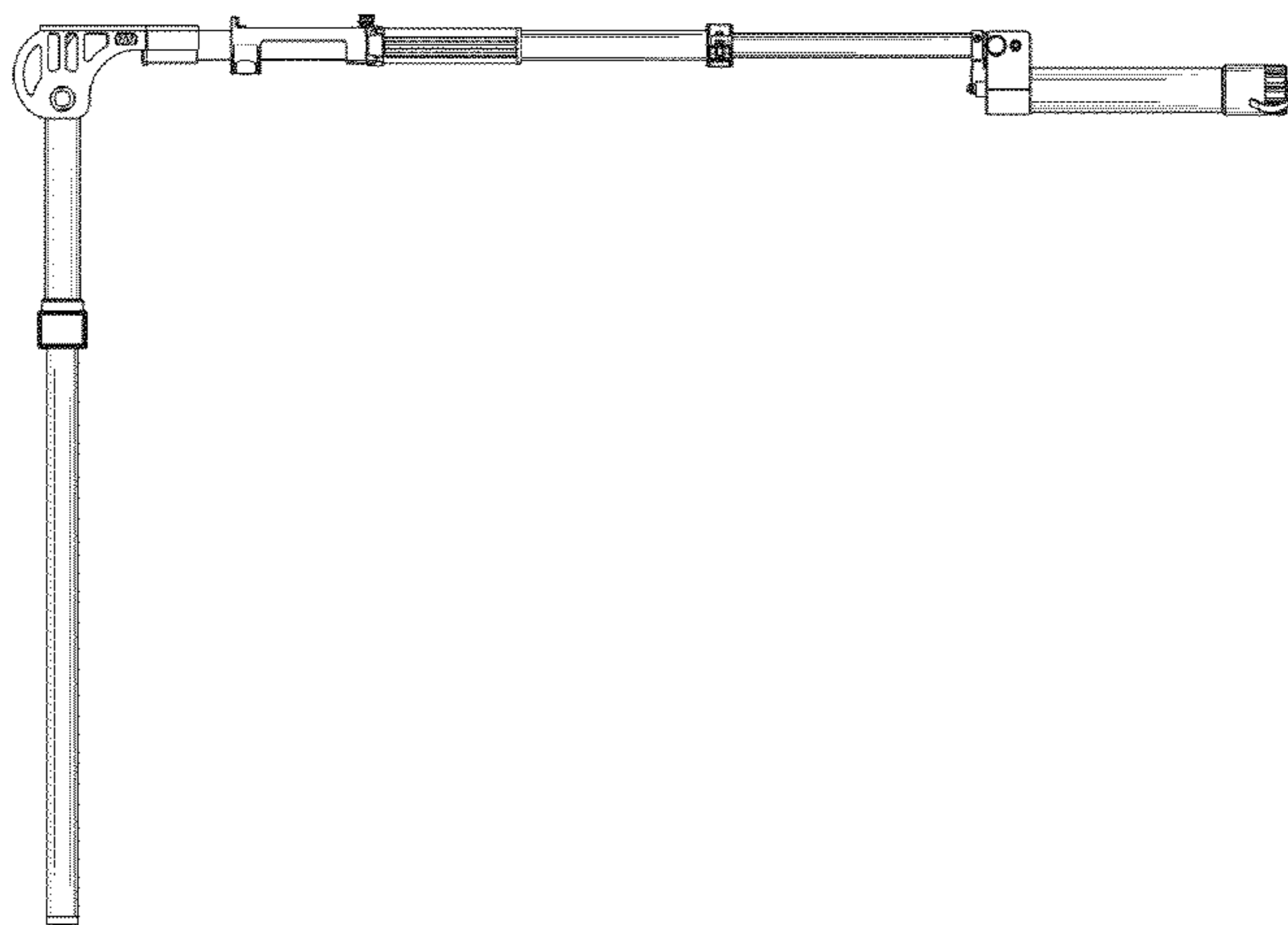
FIG. 2 is a right side elevational view thereof in the unfolded condition with the handling arm in a partially extended position and securing a pivotally mounted detector at the distal end and the support rod is in the fully extended position, the left side being a mirror image thereof;

FIG. 3 is a right side elevational view thereof in the unfolded condition with a latch mechanism disengaged to permit retraction of the handling arm to a second partially extended position and securing a pivotally mounted detector at the distal end and the support rod in a partially extended position, the left side being a mirror image thereof;

FIG. 4 is an enlarged fragmentary view of the distal end of the handling arm that is connected to the pivotally mounted detector as shown in FIG. 3; and,

FIG. 5 is a right side elevational view thereof in the folded condition in which the handling arm is in the collapsed position and securing a pivotally mounted detector at the distal end that is in the folded position and the support rod is in the collapsed position, the left side being a mirror image thereof.

**1 Claim, 2 Drawing Sheets**



# US D712,945 S

Page 2

---

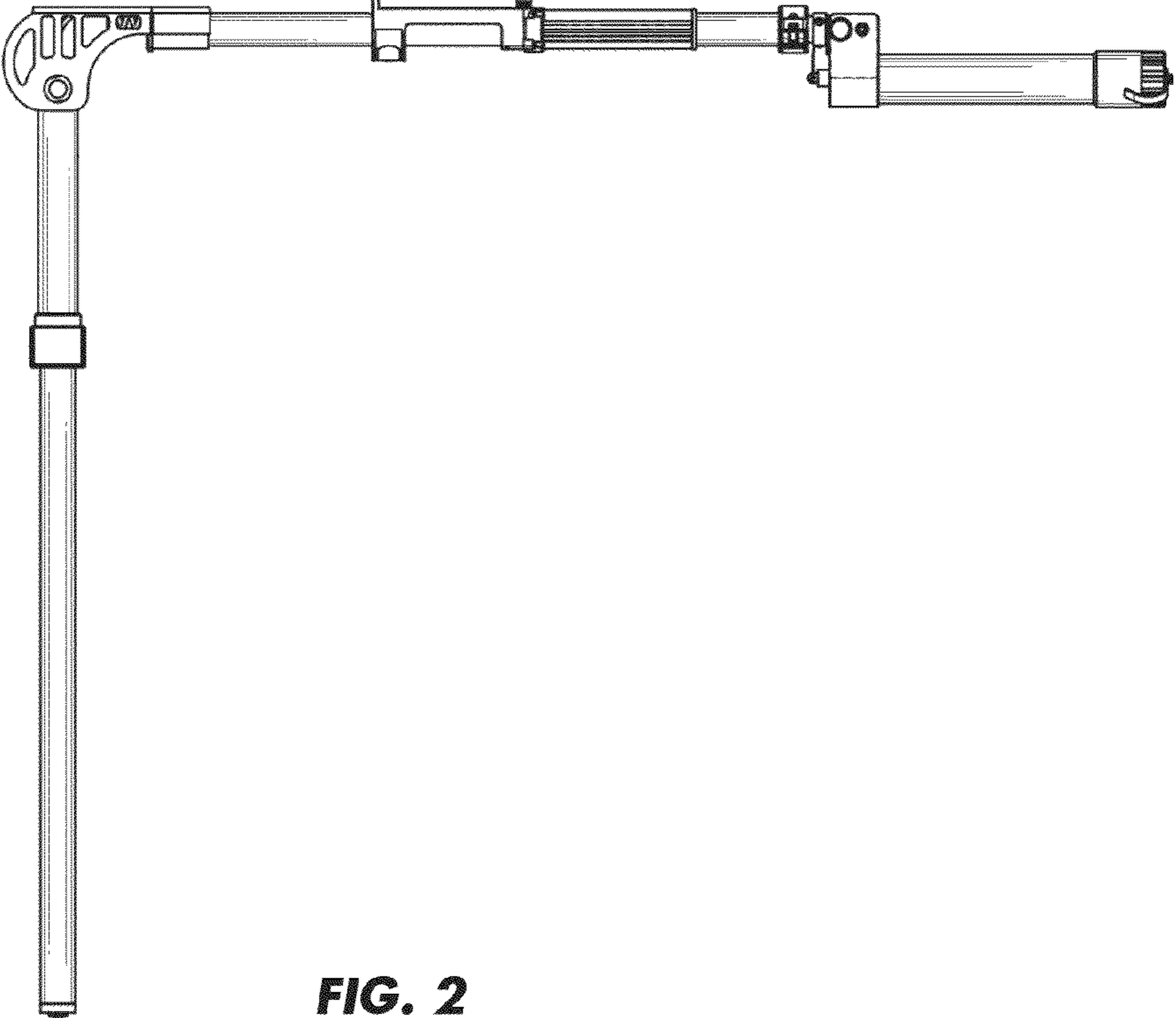
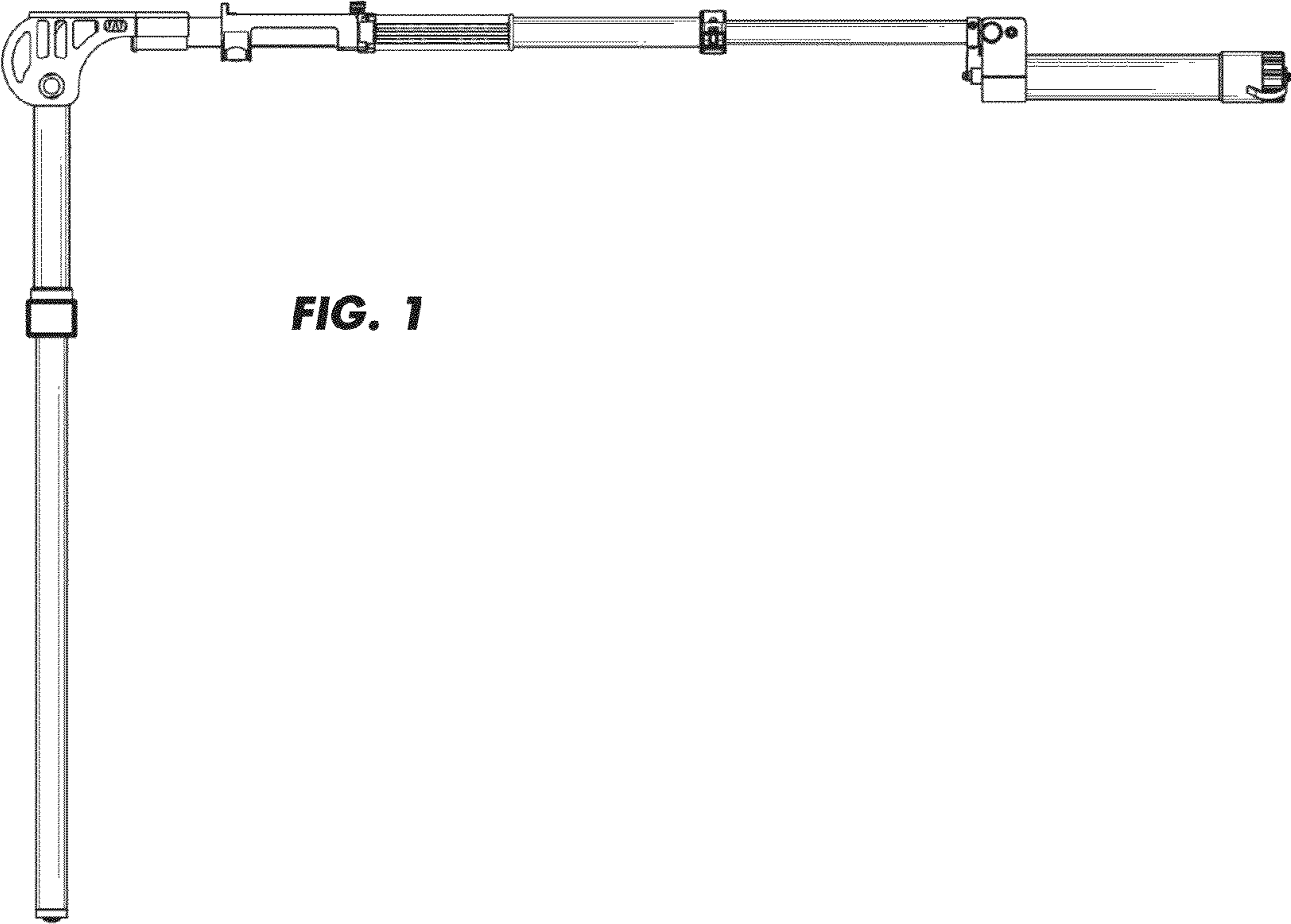
(56)

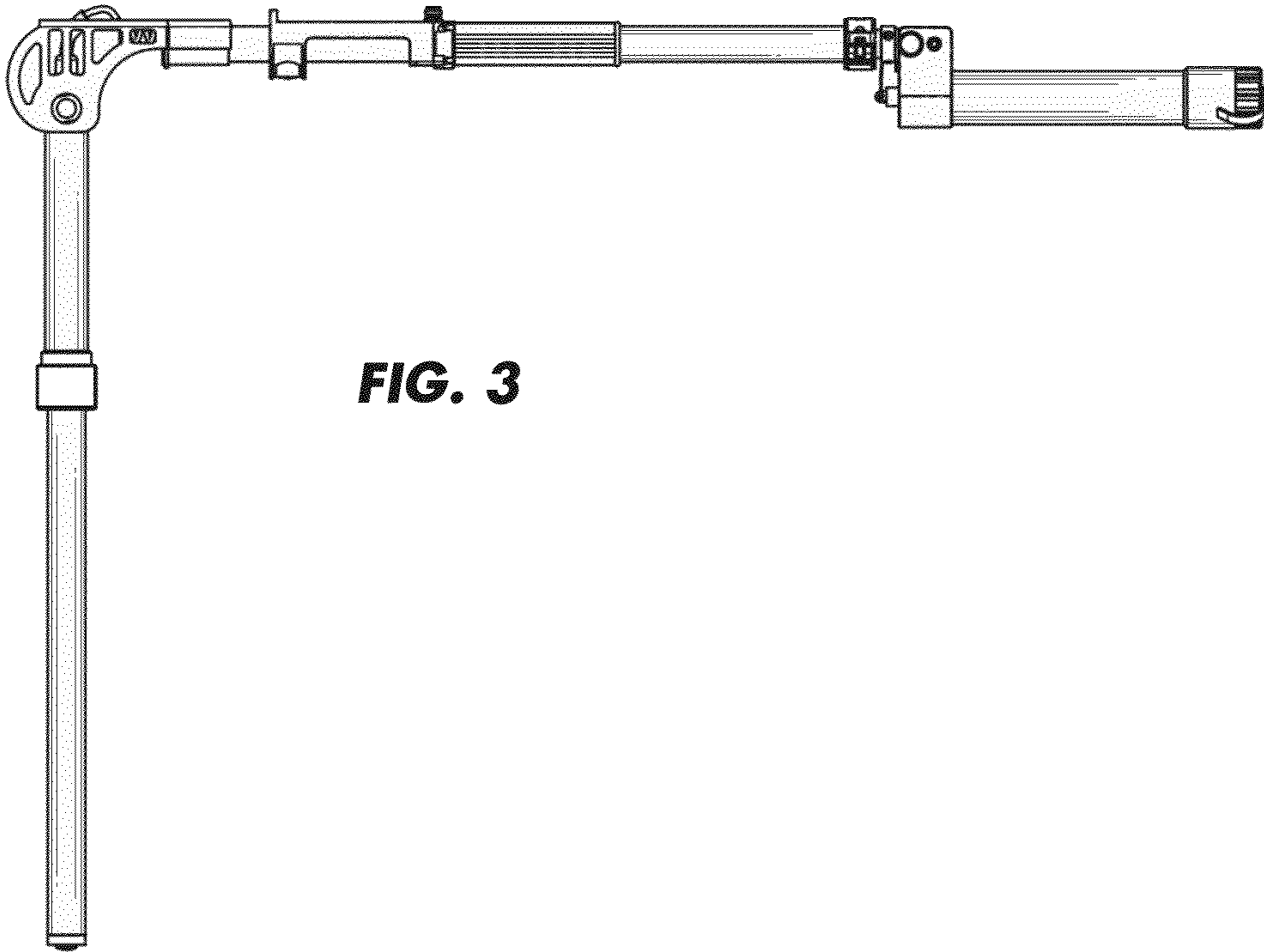
## References Cited

### U.S. PATENT DOCUMENTS

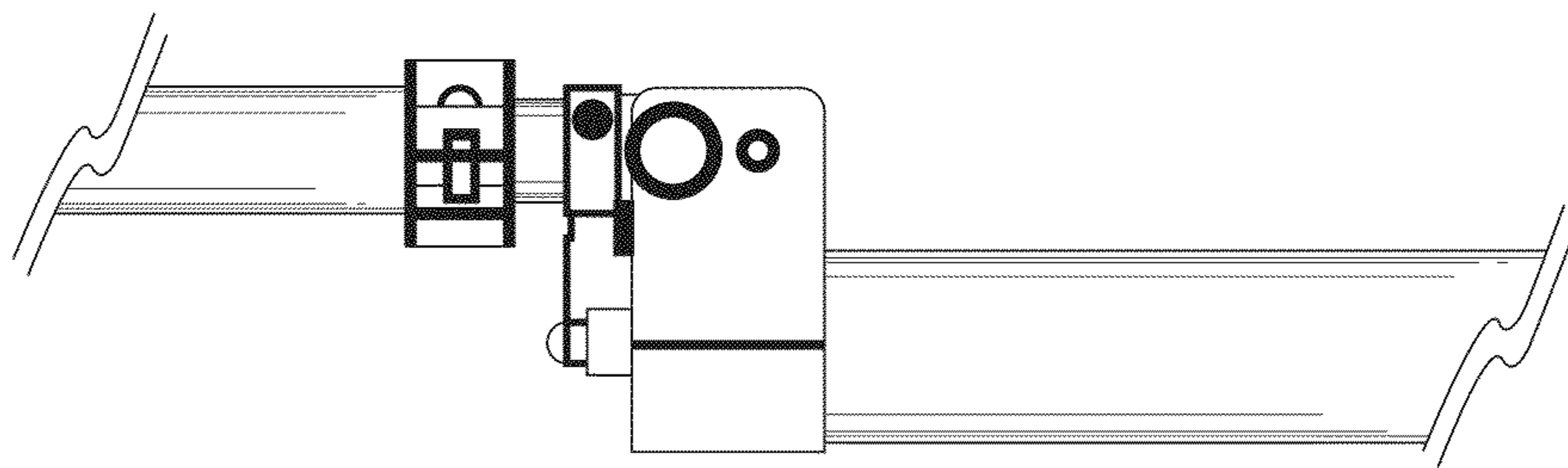
				8,469,323	B1 *	6/2013	Deros et al.	.....	248/278.1
				2006/0273231	A1 *	12/2006	Huang	.....	248/371
				2013/0161465	A1 *	6/2013	Huang	.....	248/278.1
	8,091,606	B2 *	1/2012	Nien et al.	.....				160/176.1 R
	D670,150	S *	11/2012	Angel et al.	.....				D8/107

\* cited by examiner

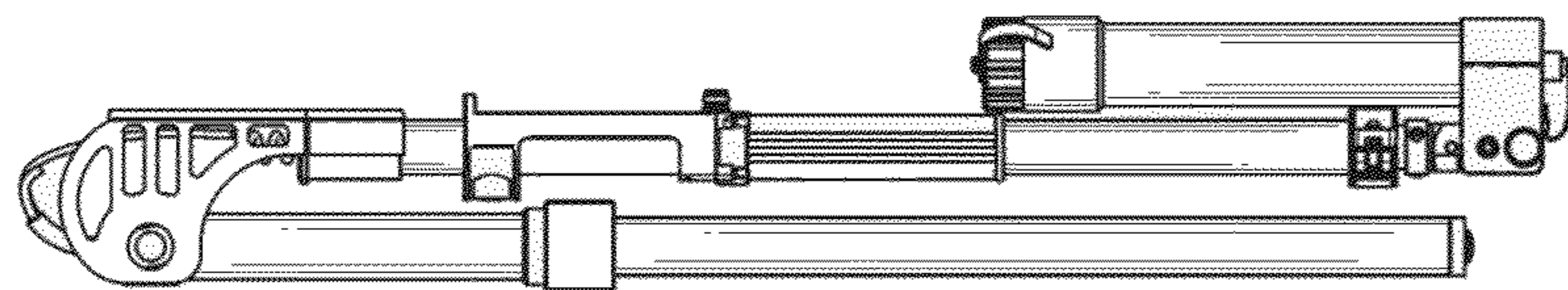




**FIG. 3**



**FIG. 4**



**FIG. 5**