



US00D712940S

(12) **United States Design Patent**
Cerniglia

(10) **Patent No.:** **US D712,940 S**

(45) **Date of Patent:** **** Sep. 9, 2014**

(54) **LOCATING RING**

(76) Inventor: **Anthony Cerniglia**, Wauconda, IL (US)

(**) Term: **14 Years**

(21) Appl. No.: **29/422,198**

(22) Filed: **May 17, 2012**

(51) **LOC (10) CL.** **15-09**

(52) **U.S. CL.**
USPC **D15/135**

(58) **Field of Classification Search**

CPC B29C 45/26; B29C 45/17; B29C 45/1742;
B29D 30/54; F16C 45/1761

USPC D15/135, 136, 137; 29/402.08, 428.29,
29/464; 425/19, 23, 43, 58, 150

See application file for complete search history.

(56) **References Cited**

U.S. PATENT DOCUMENTS

2,659,104	A *	11/1953	Glynn	425/19
4,008,486	A *	2/1977	Byczkowski	257/689
4,030,869	A *	6/1977	Miller et al.	425/471
4,480,282	A *	10/1984	Brock et al.	360/135
5,472,298	A *	12/1995	Mihai	408/13
6,305,517	B1 *	10/2001	Cole	192/48.91

D699,770	S *	2/2014	Kmoch et al.	D15/136
2014/0075730	A1 *	3/2014	Cerniglia	29/402.08
2014/0079840	A1 *	3/2014	Eigler et al.	425/192 R

* cited by examiner

Primary Examiner — Patricia Palasik

(74) *Attorney, Agent, or Firm* — Lempia Summerfield Katz LLC

(57) **CLAIM**

The ornamental design for a “locating ring,” as shown and described.

DESCRIPTION

FIG. 1 is a bottom, front, and left side perspective view showing my new design for a locating ring.

FIG. 2 is a front plan view of the locating ring shown in FIG. 1.

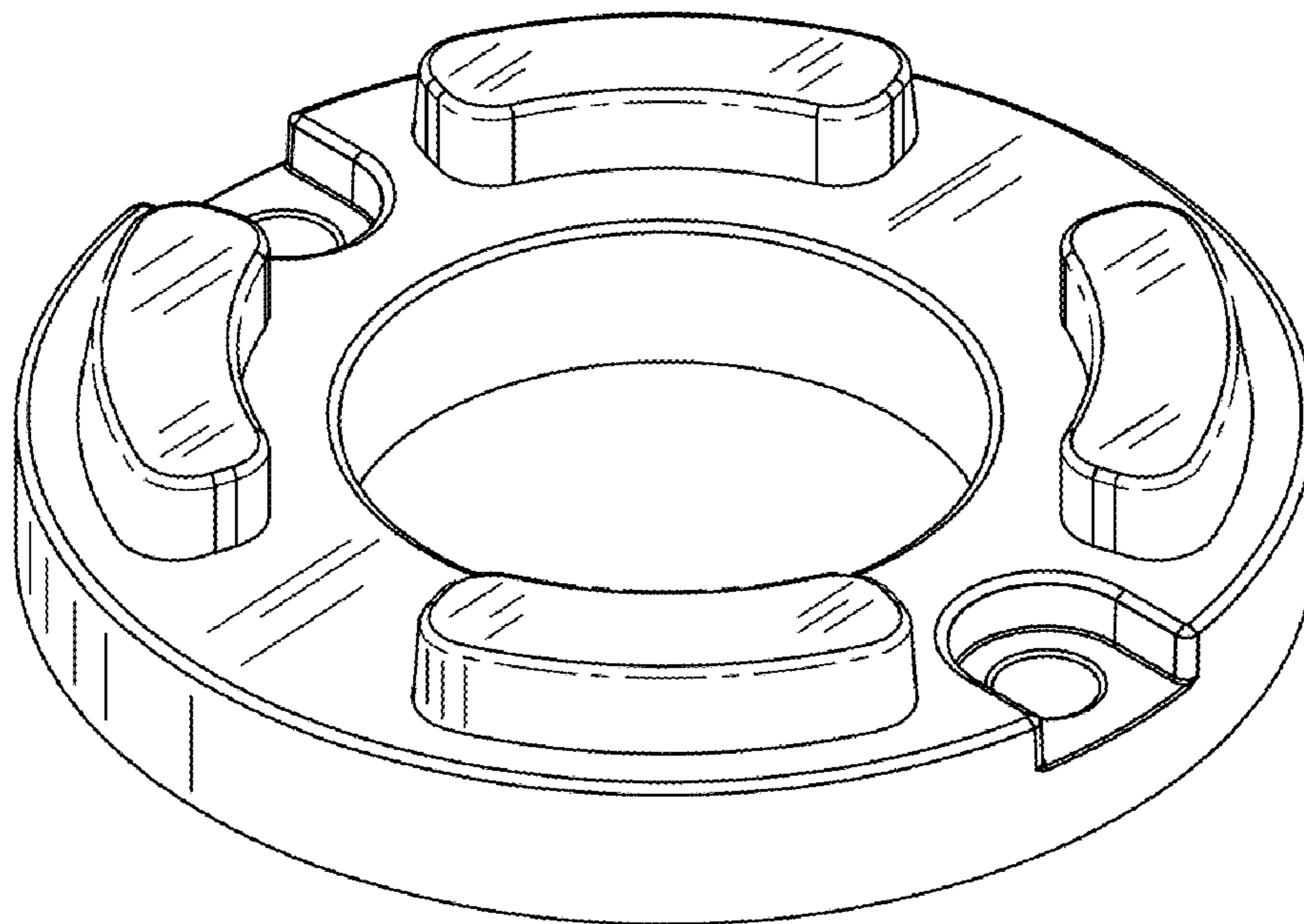
FIG. 3 is a left side view of the locating ring shown in FIG. 1, the right side view being a mirror image thereof.

FIG. 4 is a bottom view of the locating ring shown in FIG. 1, the top view being a mirror image thereof; and,

FIG. 5 is a rear plan view of the locating ring shown in FIG. 1.

The subject matter shown in dashed lines is for illustrative purposes and forms no part of the claimed design.

1 Claim, 4 Drawing Sheets



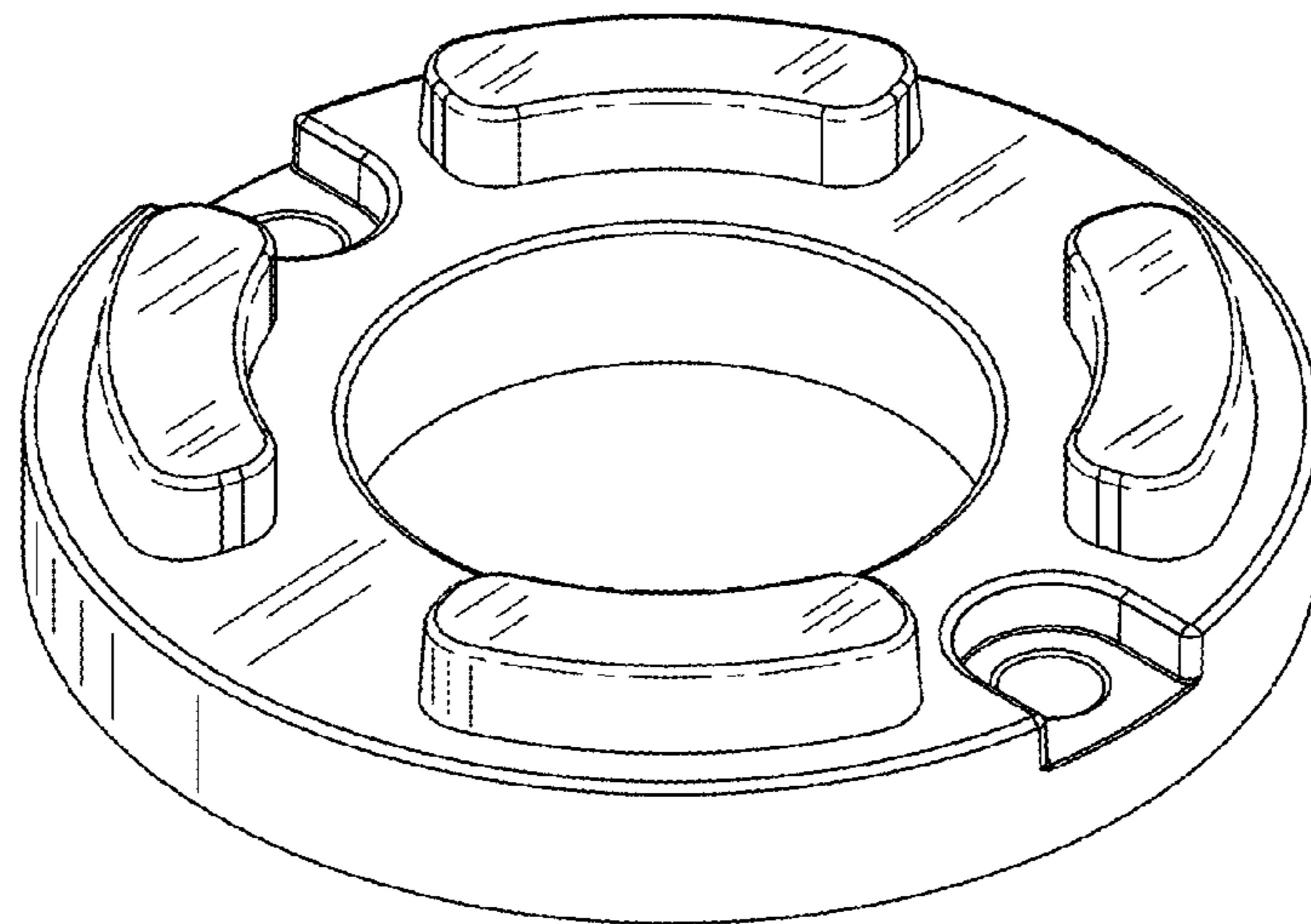


FIG. 1

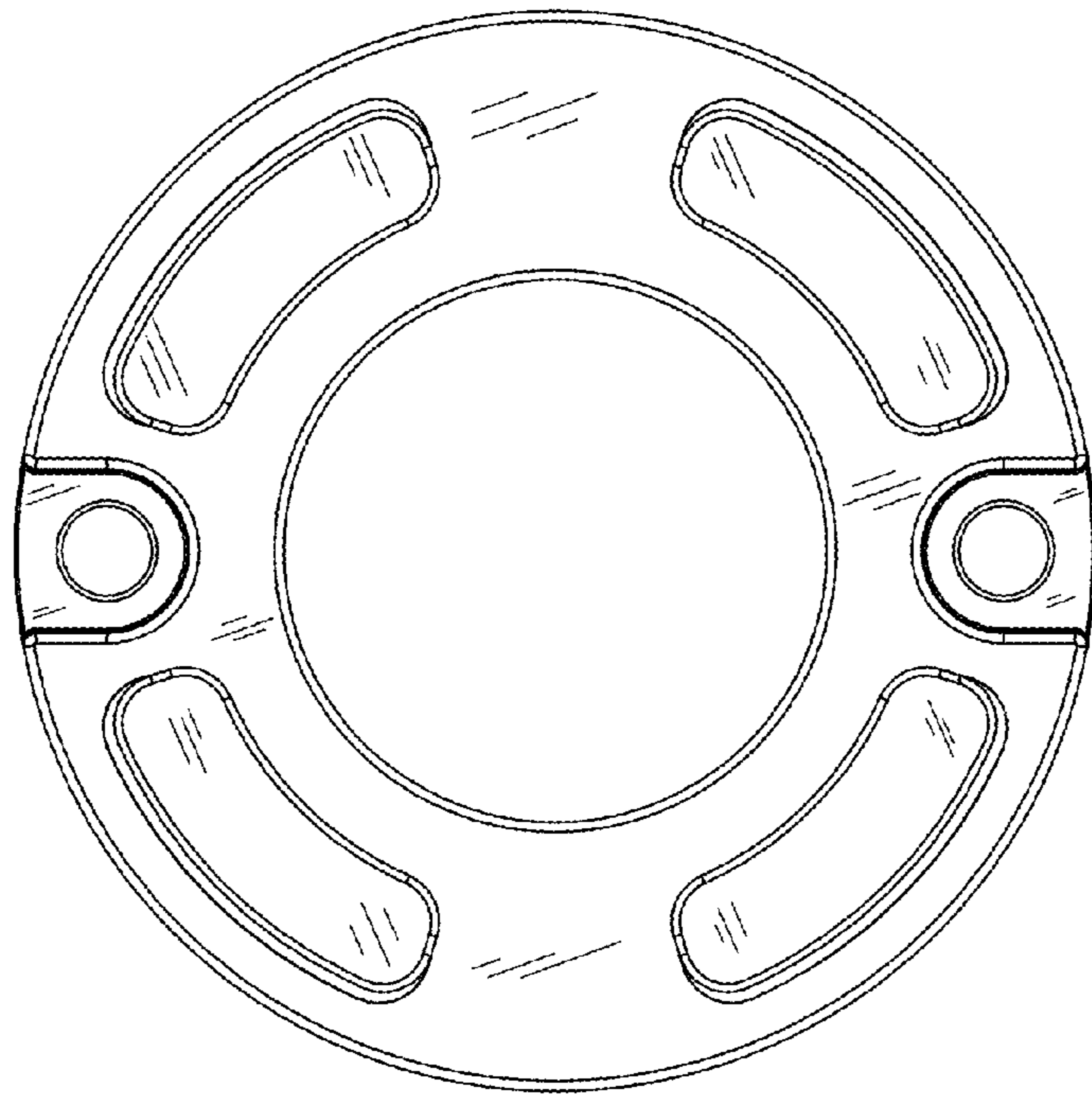


FIG. 2

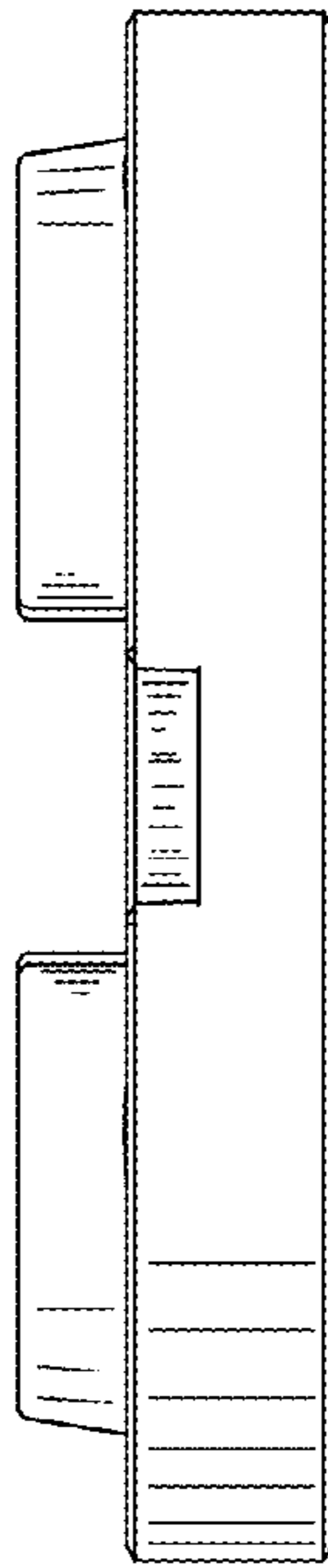


FIG. 3

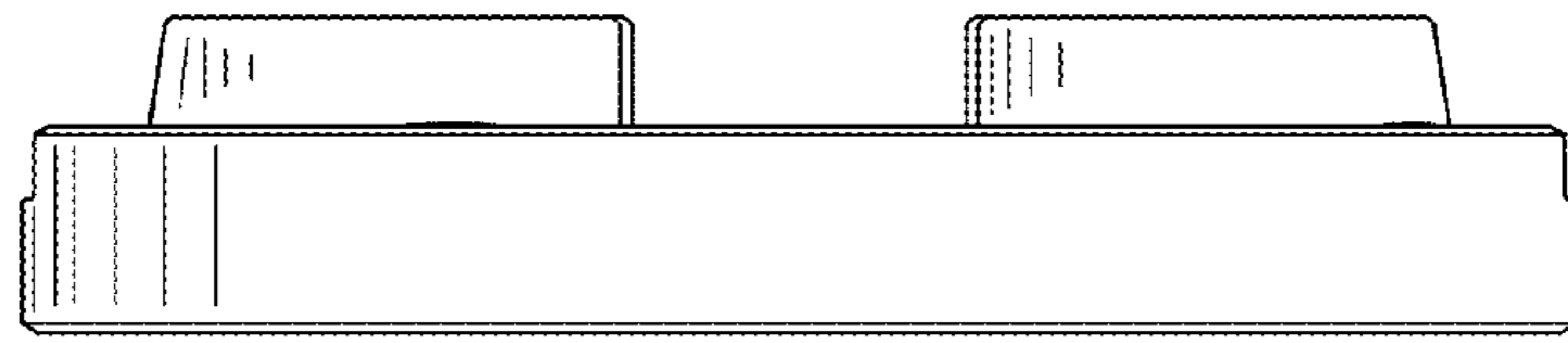


FIG. 4

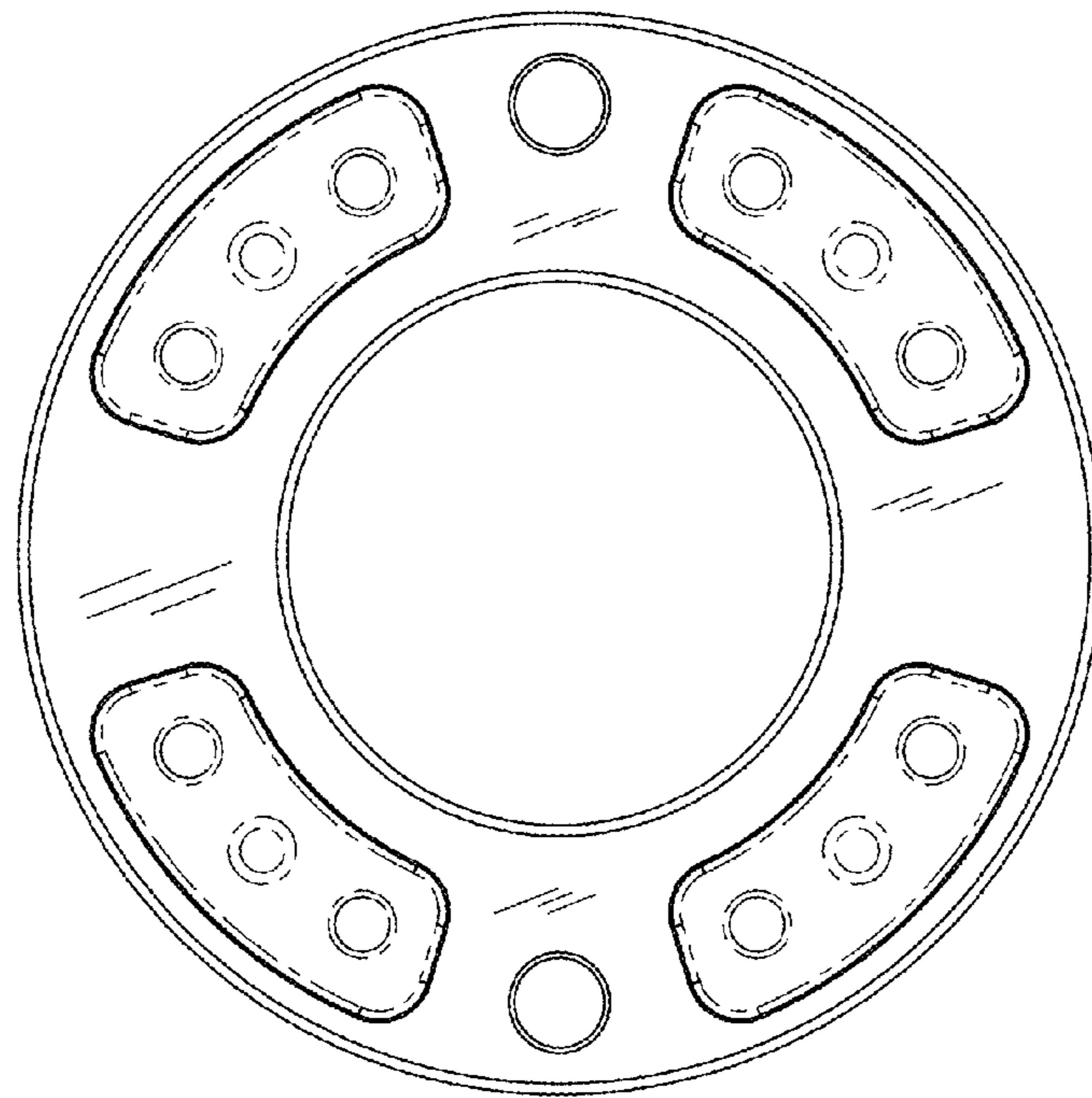


FIG. 5