



US00D712937S

(12) **United States Design Patent**
Wennerborn

(10) **Patent No.:** **US D712,937 S**

(45) **Date of Patent:** **** Sep. 9, 2014**

(54) **TRACK PLATE FOR A TRACK OF A TRACKED VEHICLE**

(71) Applicant: **Jeffrey David Wennerborn,**
Muswellbrook (AU)

(72) Inventor: **Jeffrey David Wennerborn,**
Muswellbrook (AU)

(**) Term: **14 Years**

(21) Appl. No.: **29/472,485**

(22) Filed: **Nov. 13, 2013**

(30) **Foreign Application Priority Data**

May 16, 2013 (AU) 12285/2013

(51) **LOC (10) Cl.** **15-03**

(52) **U.S. Cl.**
USPC **D15/28**

(58) **Field of Classification Search**

USPC D15/22-26, 28; D21/537, 431, 495;
180/89.12, 89.1, 900; 152/209.12, 108,
152/88, 171-173, 165, 178; 305/191, 193,
305/192, 161, 178, 194, 160, 180, 179, 43,
305/40, 53, 44, 46, 50, 167, 196, 198, 162,
305/169, 177, 185, 200-202, 171, 195, 189,
305/187; 404/121

See application file for complete search history.

(56) **References Cited**

U.S. PATENT DOCUMENTS

2,874,005	A *	2/1959	Engstrom	305/192
D186,214	S *	9/1959	Francis	D15/28
4,434,642	A *	3/1984	Rasmussen	72/356
4,750,792	A *	6/1988	Caron et al.	305/114
4,865,400	A *	9/1989	Caron et al.	305/114
6,017,103	A *	1/2000	Villard	305/192
D598,937	S *	8/2009	Lyasko	D15/28
7,946,662	B2 *	5/2011	Maeda	305/198
D660,877	S *	5/2012	Caron et al.	D15/28
D660,878	S *	5/2012	Caron et al.	D15/28
2003/0062772	A1 *	4/2003	Rasmussen	305/191
2005/0253454	A1 *	11/2005	Rasmussen	305/191

* cited by examiner

Primary Examiner — Mark Goodwin

(74) *Attorney, Agent, or Firm* — Dennemeyer & Assoc., LLC

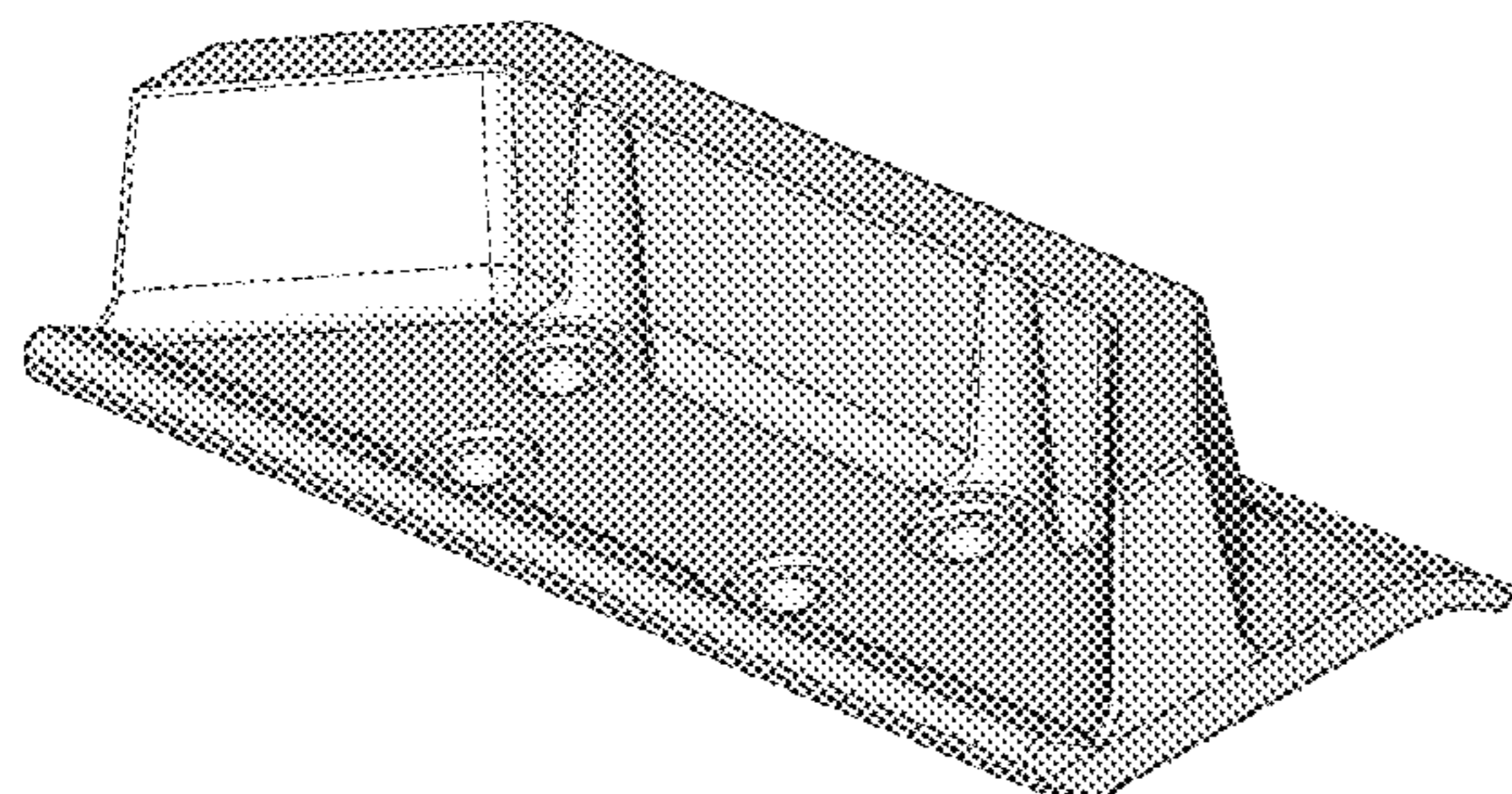
(57) **CLAIM**

The ornamental design for a track plate for a track of a tracked vehicle, as shown and described.

DESCRIPTION

FIG. 1 is a bottom view of a track plate for a track of a tracked vehicle showing my new design;
FIG. 2 is a top view thereof;
FIG. 3 is a front view thereof;
FIG. 4 is a rear view thereof;
FIG. 5 is a left side view, the right side being a mirror image thereof;
FIG. 6 is a front, top perspective view thereof; and,
FIG. 7 is a rear, bottom perspective view thereof.

1 Claim, 7 Drawing Sheets



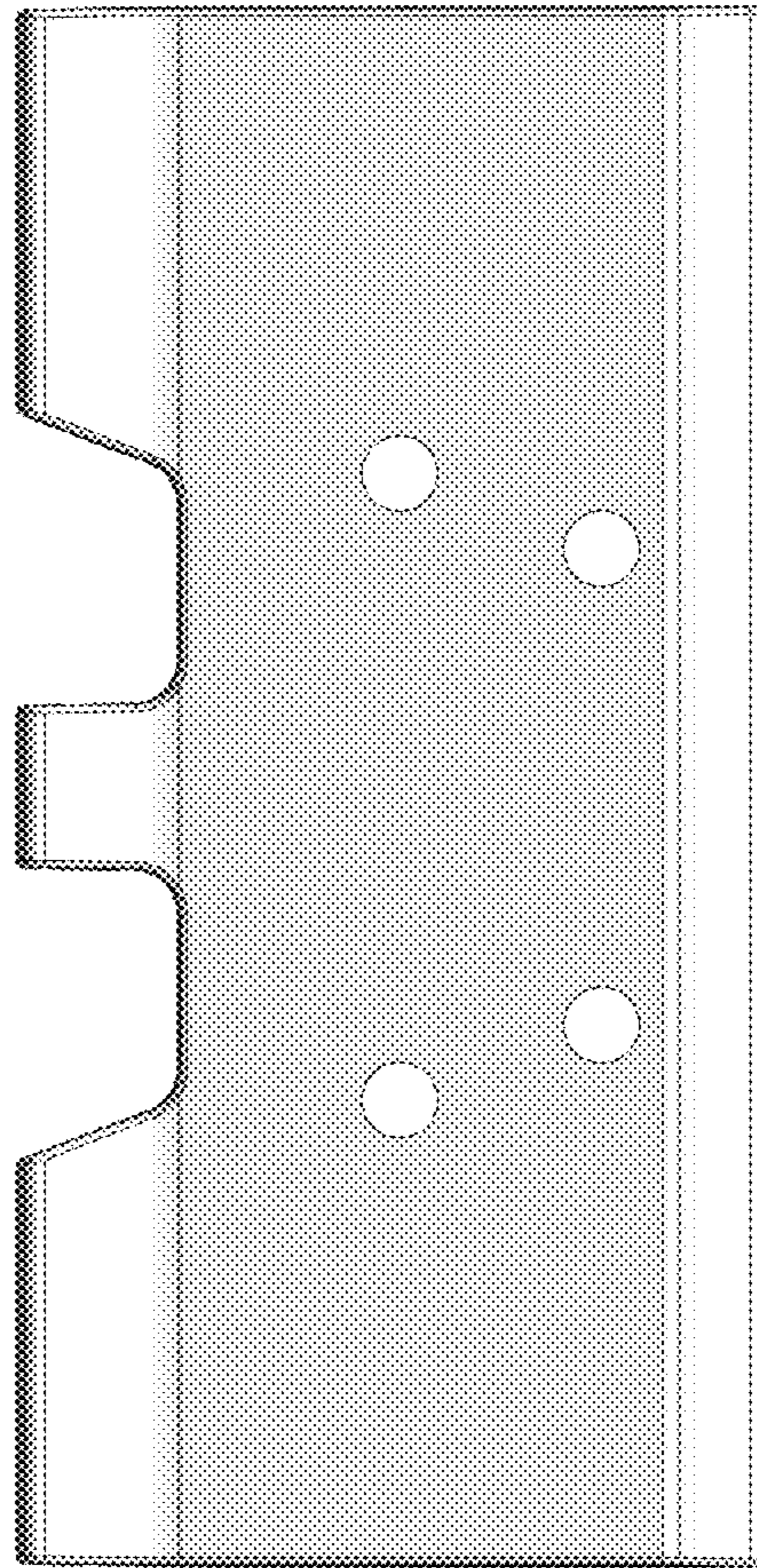


FIG. 1

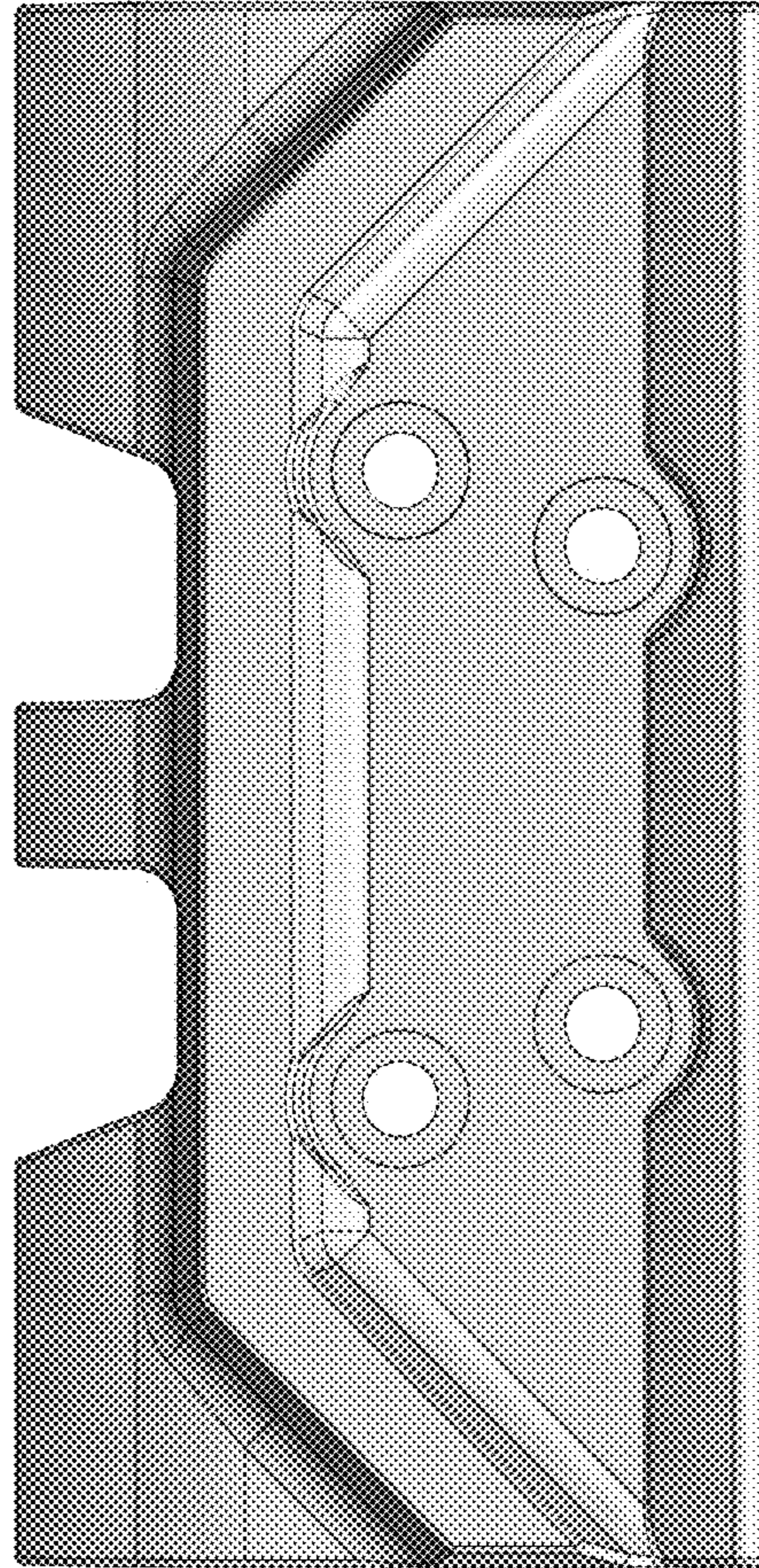


FIG. 2

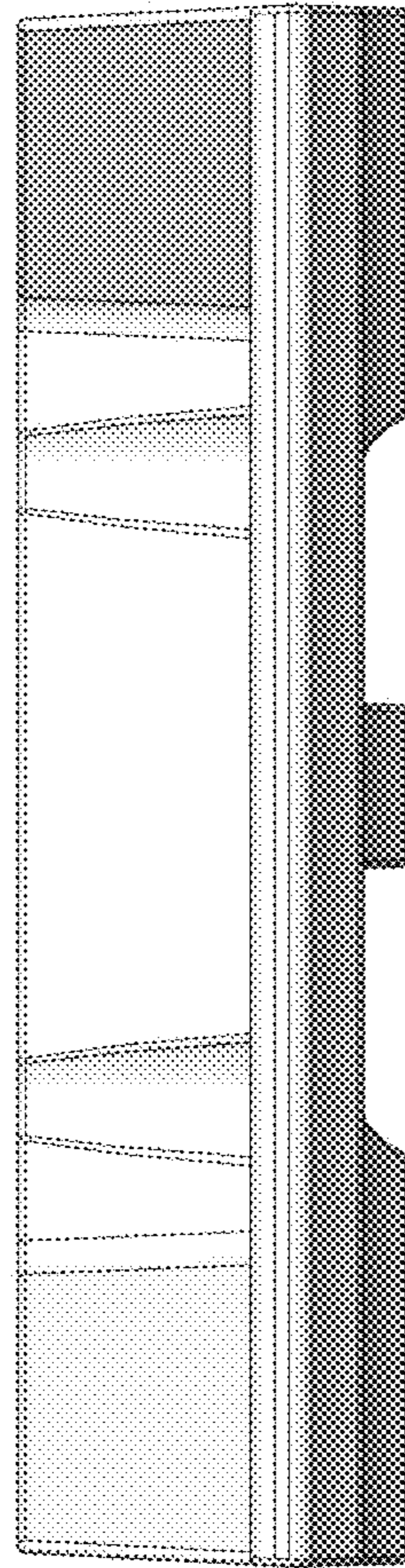


FIG. 3

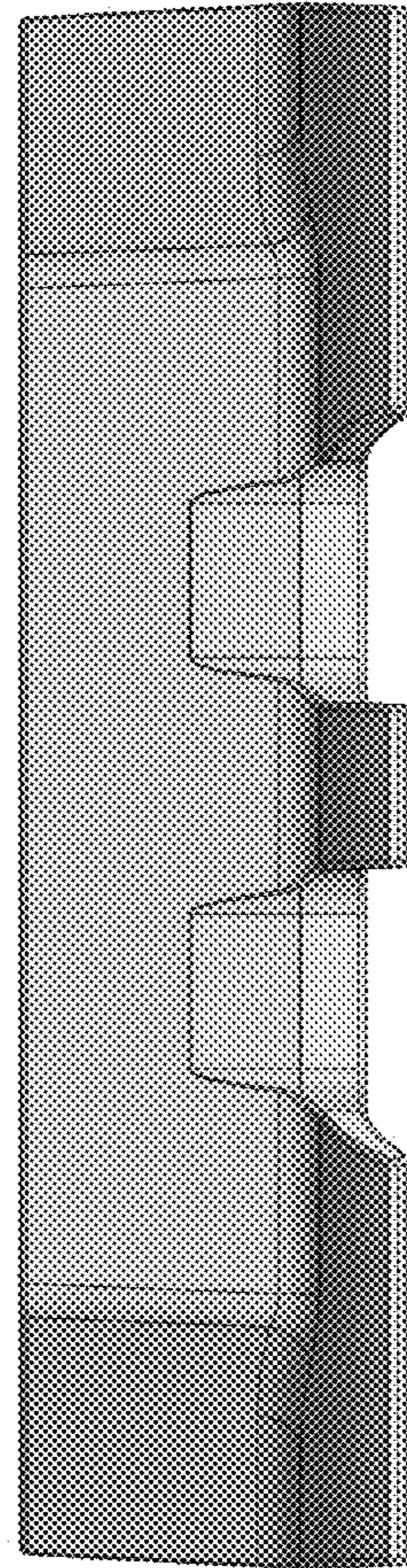


FIG. 4

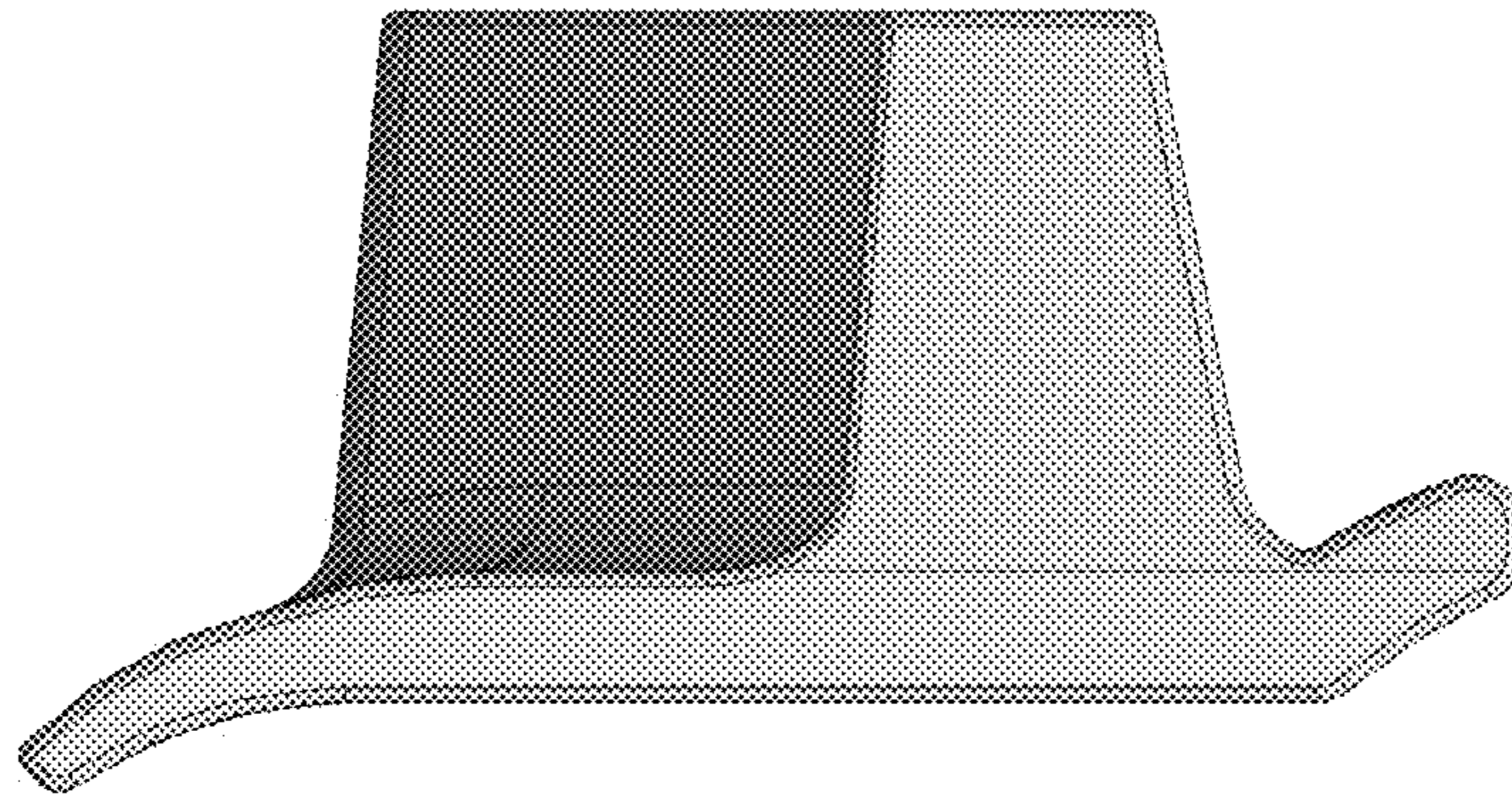


FIG. 5

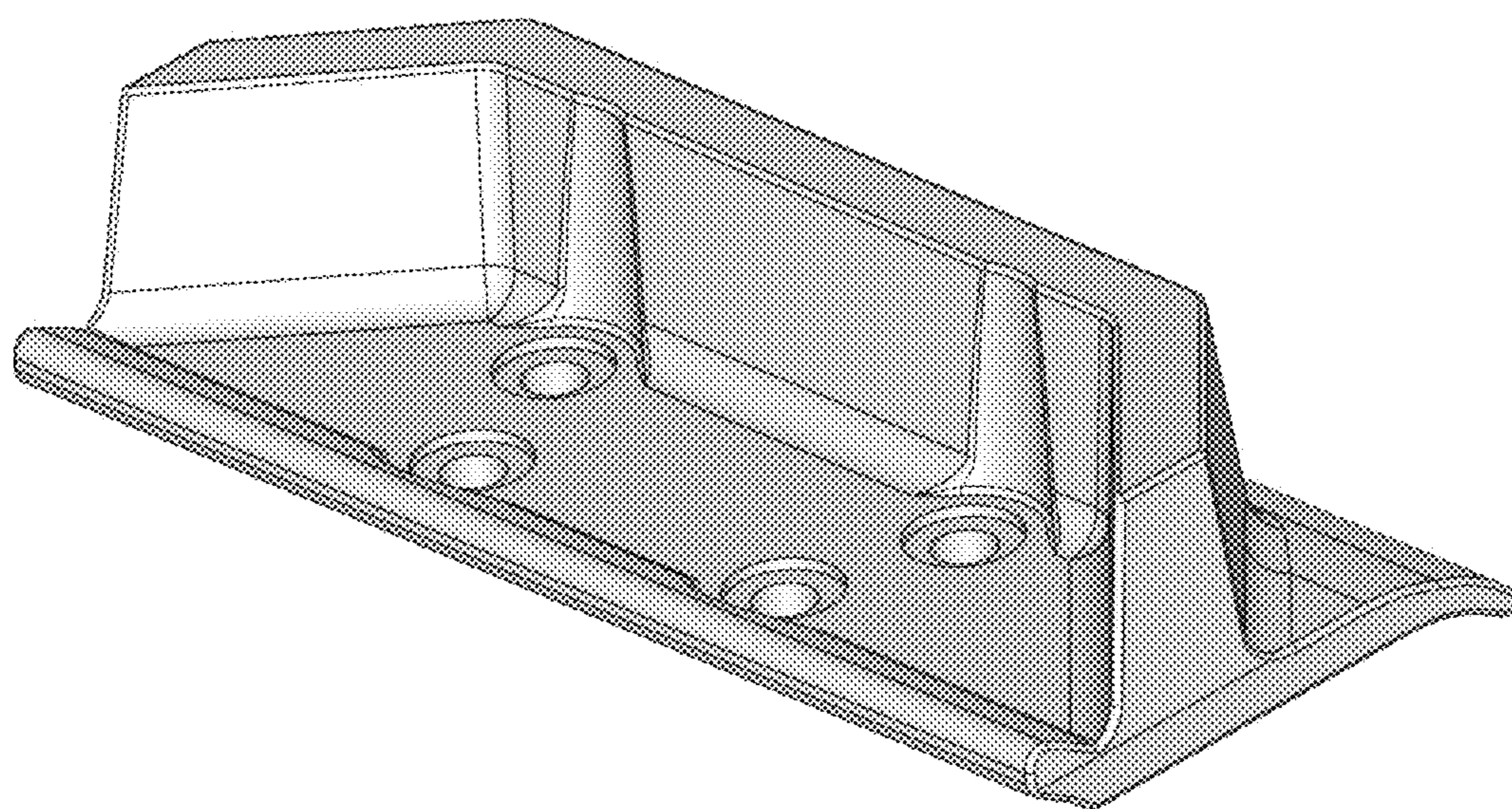


FIG. 6

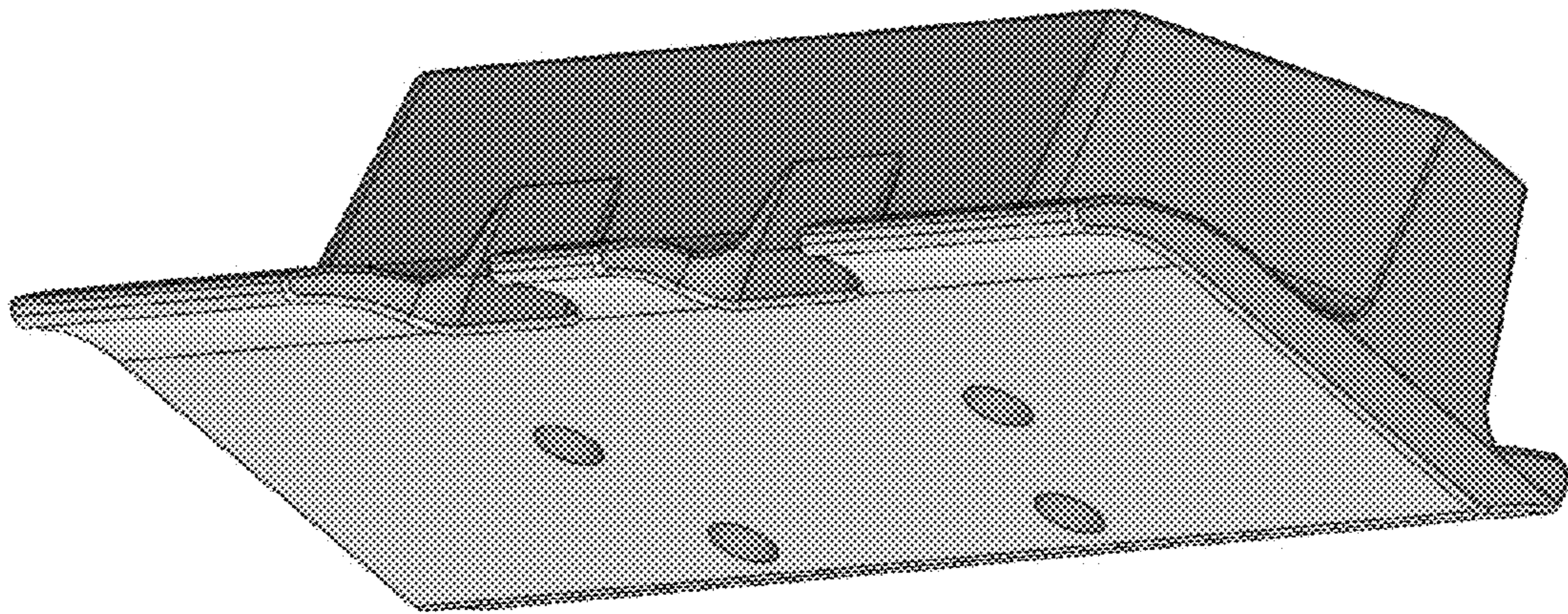


FIG. 7