



US00D712934S

(12) **United States Design Patent**
McDonald et al.

(10) **Patent No.:** **US D712,934 S**

(45) **Date of Patent:** **** Sep. 9, 2014**

(54) **GUARD**

(71) Applicant: **FLSmith A/S**, Valby (DK)

(72) Inventors: **Angus McDonald**, Brisbane (AU);
Christopher Gordon, Brisbane (AU);
Tony Elliott, Brisbane (AU)

(73) Assignee: **FLSMIDTH A/S** (DK)

(**) Term: **14 Years**

(21) Appl. No.: **29/464,652**

(22) Filed: **Aug. 20, 2013**

(30) **Foreign Application Priority Data**

Feb. 20, 2013 (AU) 10831/2013

(51) **LOC (10) Cl.** **15-03**

(52) **U.S. Cl.**
USPC **D15/21**

(58) **Field of Classification Search**
USPC D15/10, 21, 28; 180/6.48, 69.21, 89.1,
180/759, 760, 235, 900
See application file for complete search history.

(56) **References Cited**

U.S. PATENT DOCUMENTS

D284,577 S * 7/1986 DuBose D15/28
D320,607 S * 10/1991 Smith et al. D15/126

D508,499 S * 8/2005 Kurtz, Jr. D15/31
D532,798 S * 11/2006 Folk et al. D15/21
D533,196 S * 12/2006 Folk et al. D15/21
D558,798 S * 1/2008 Sakitani et al. D15/28
D567,258 S * 4/2008 Wilkens D15/17
D578,274 S * 10/2008 Tokach et al. D34/35
D588,061 S * 3/2009 Bao et al. D13/122
D627,800 S * 11/2010 Berning et al. D15/28
D627,802 S * 11/2010 Berning et al. D15/28
D635,592 S * 4/2011 Shimomura et al. D15/28
D669,504 S * 10/2012 Higashikawa D15/28

* cited by examiner

Primary Examiner — Mark Goodwin

(74) *Attorney, Agent, or Firm* — Aaron M. Pile; Daniel DeJoseph; Jeffrey A. Sharp

(57) **CLAIM**

The ornamental design for a guard, substantially as shown and described.

DESCRIPTION

FIG. 1 is a front perspective view of a guard showing our new design.

FIG. 2 is a rear perspective view.

FIG. 3 is a rear view.

FIG. 4 is a bottom view.

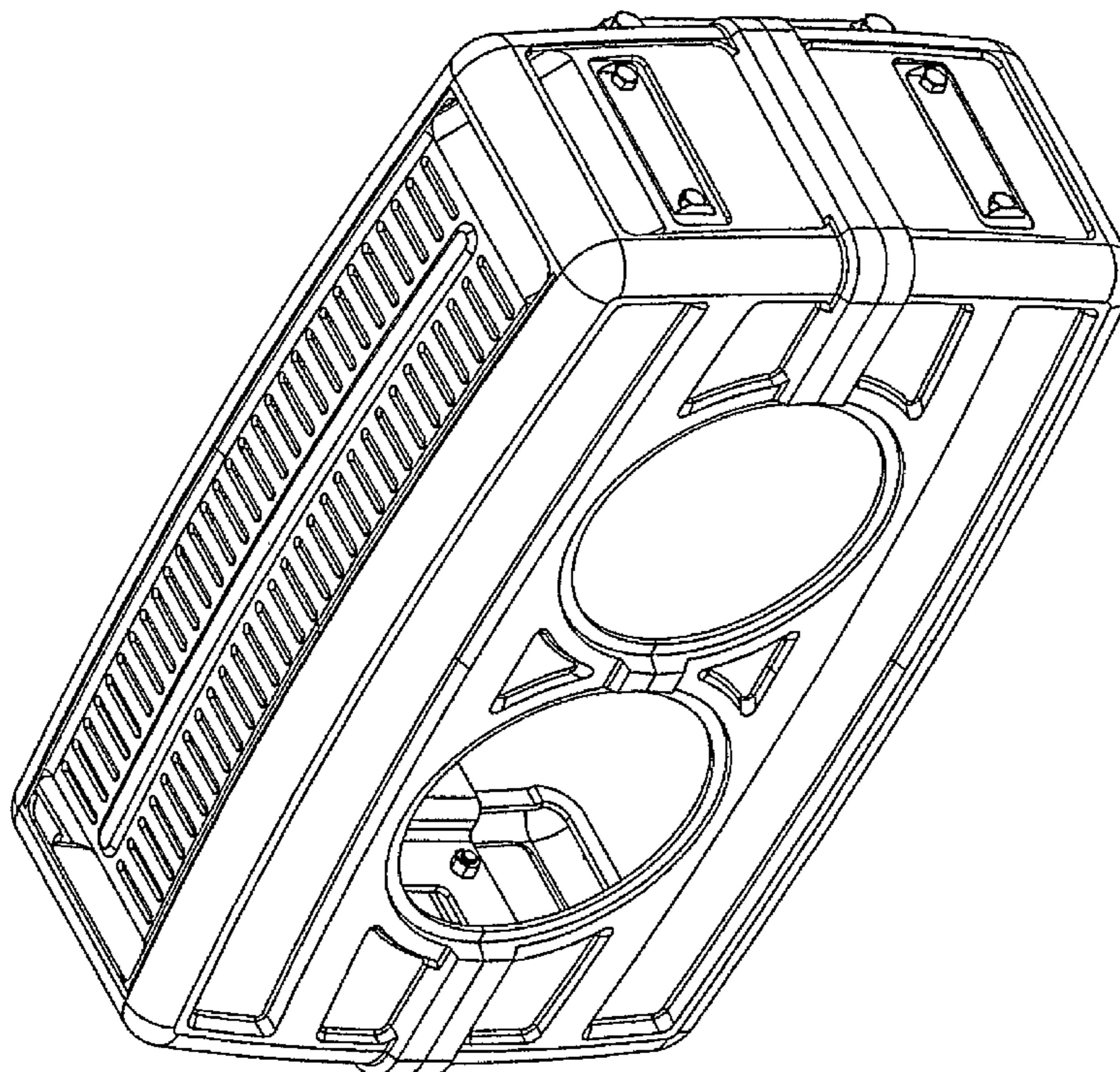
FIG. 5 is a front view.

FIG. 6 is a left side view.

FIG. 7 is a right side view; and,

FIG. 8 is a top view.

1 Claim, 8 Drawing Sheets



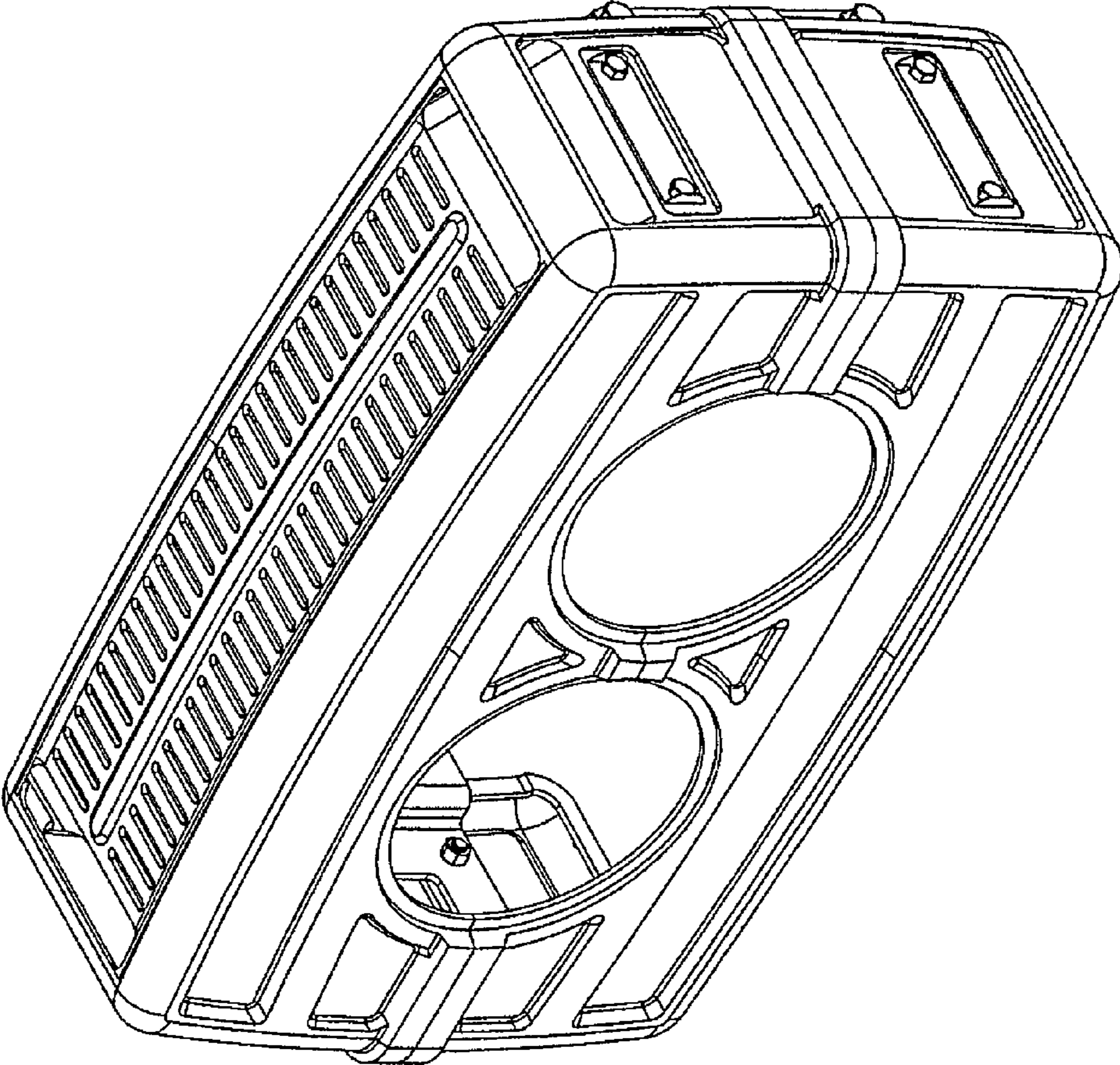


Figure 1

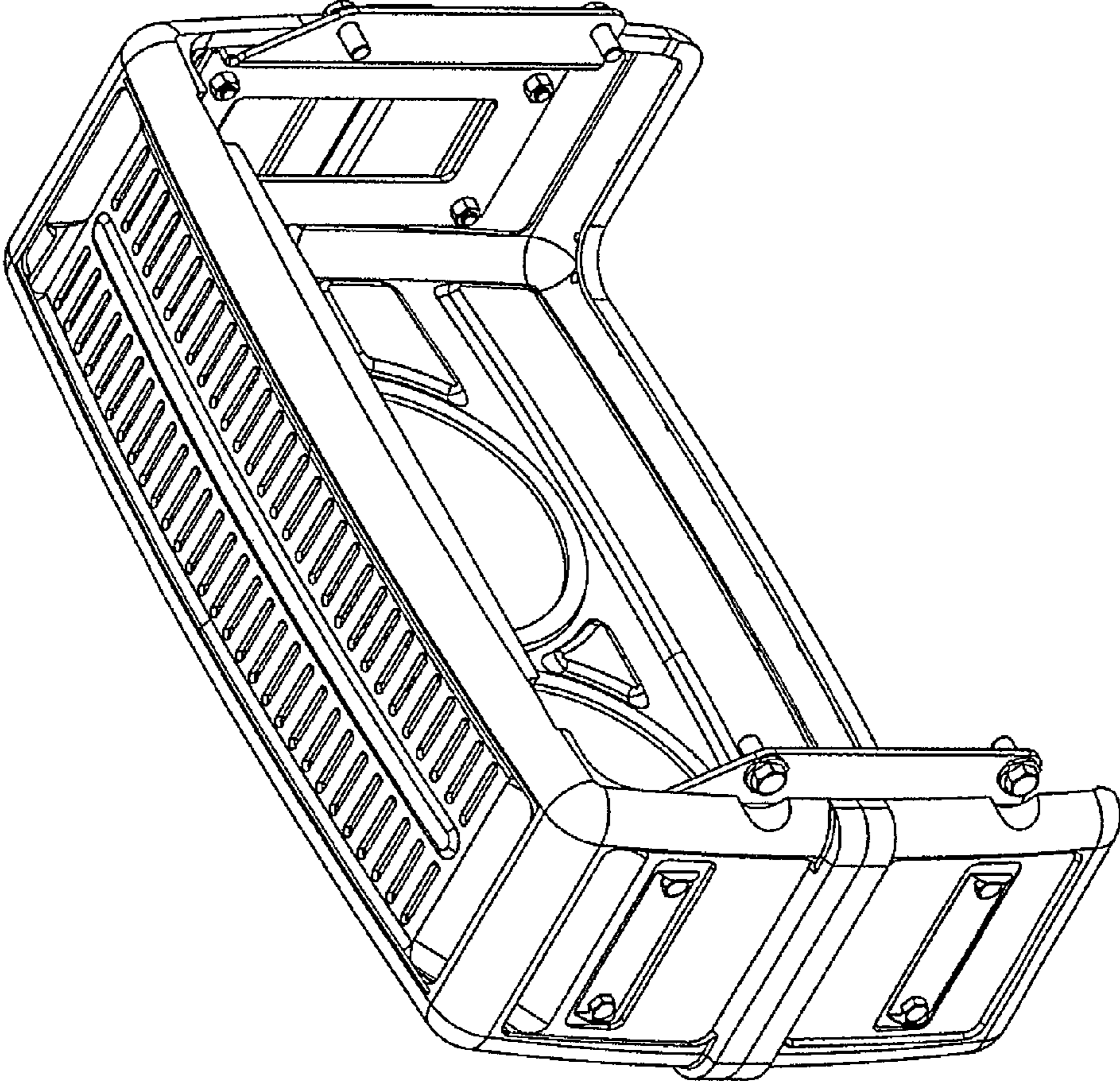


Figure 2

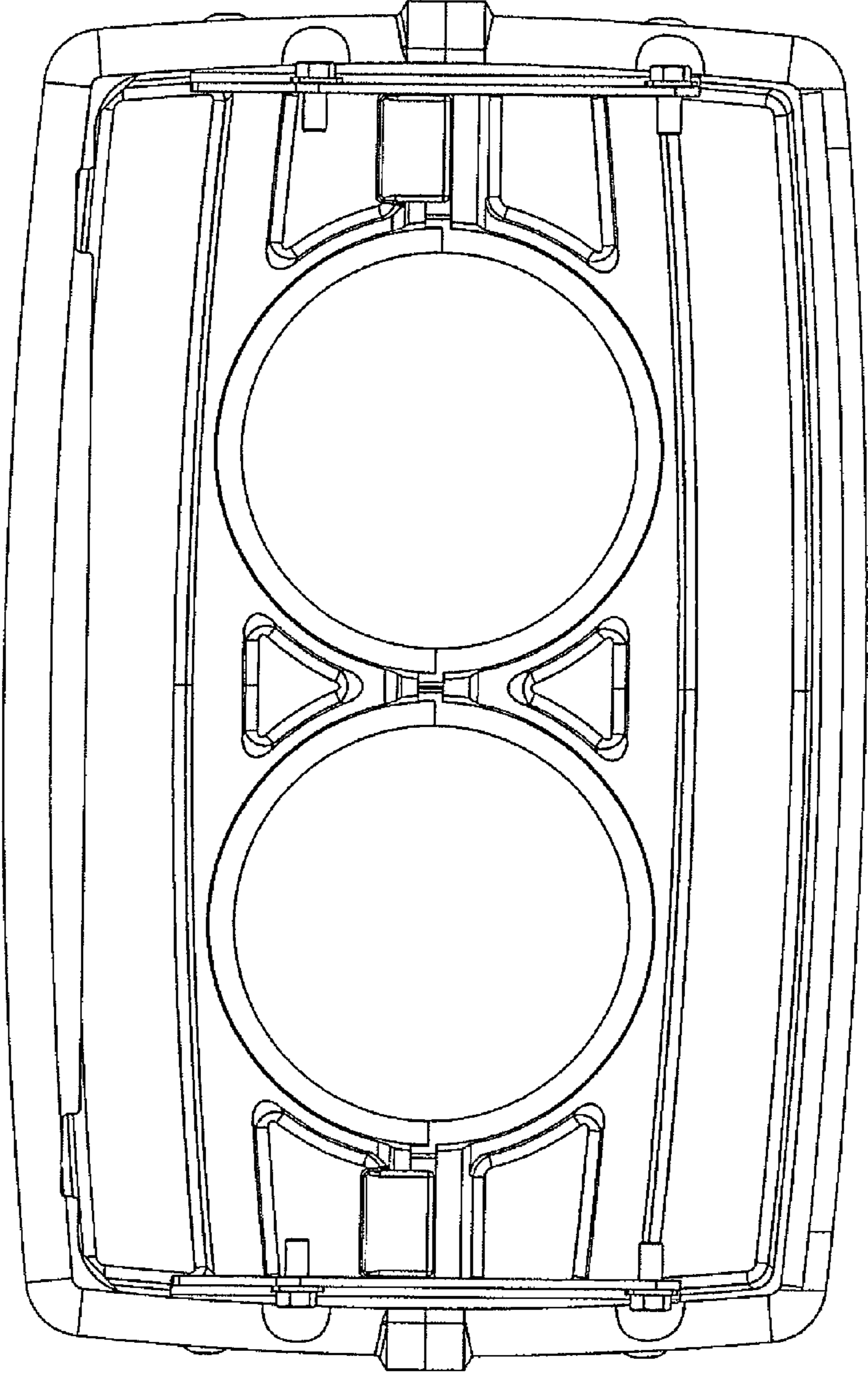


Figure 3

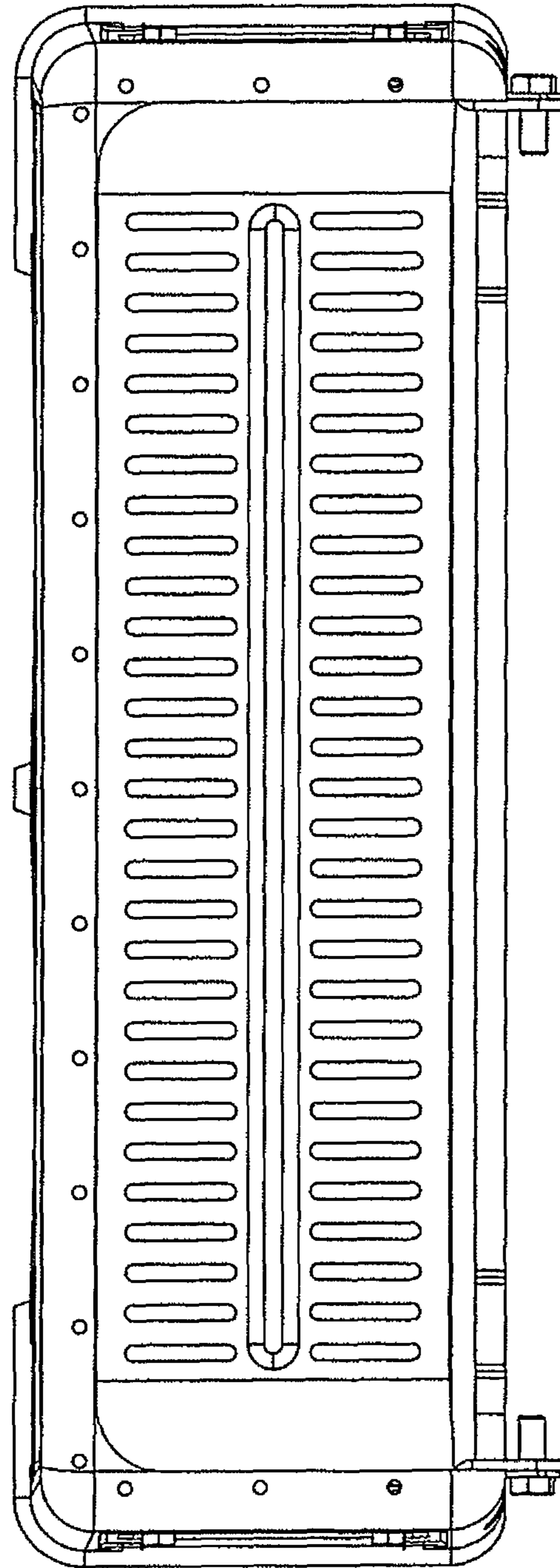


Figure 4

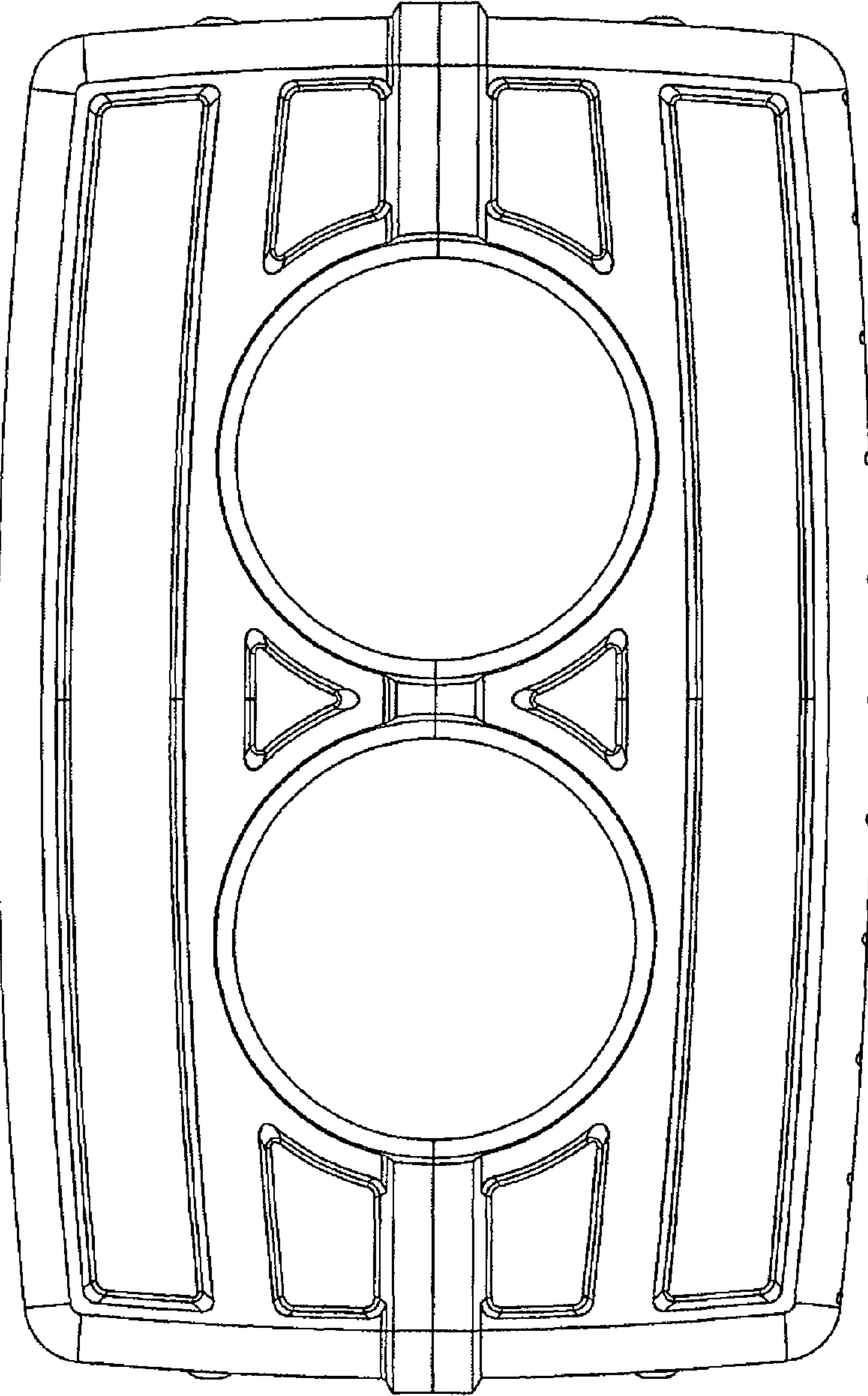


Figure 5

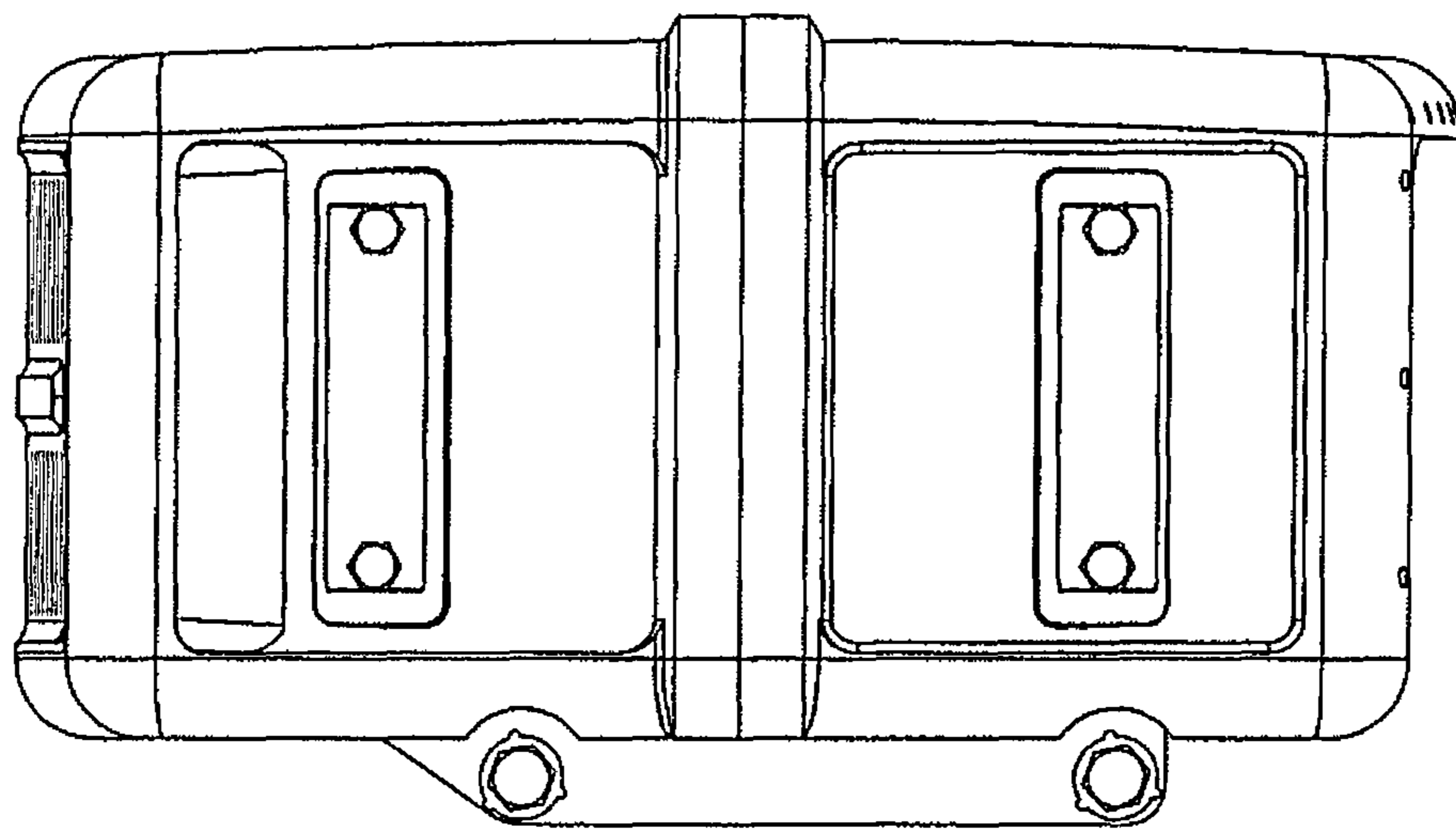


Figure 6

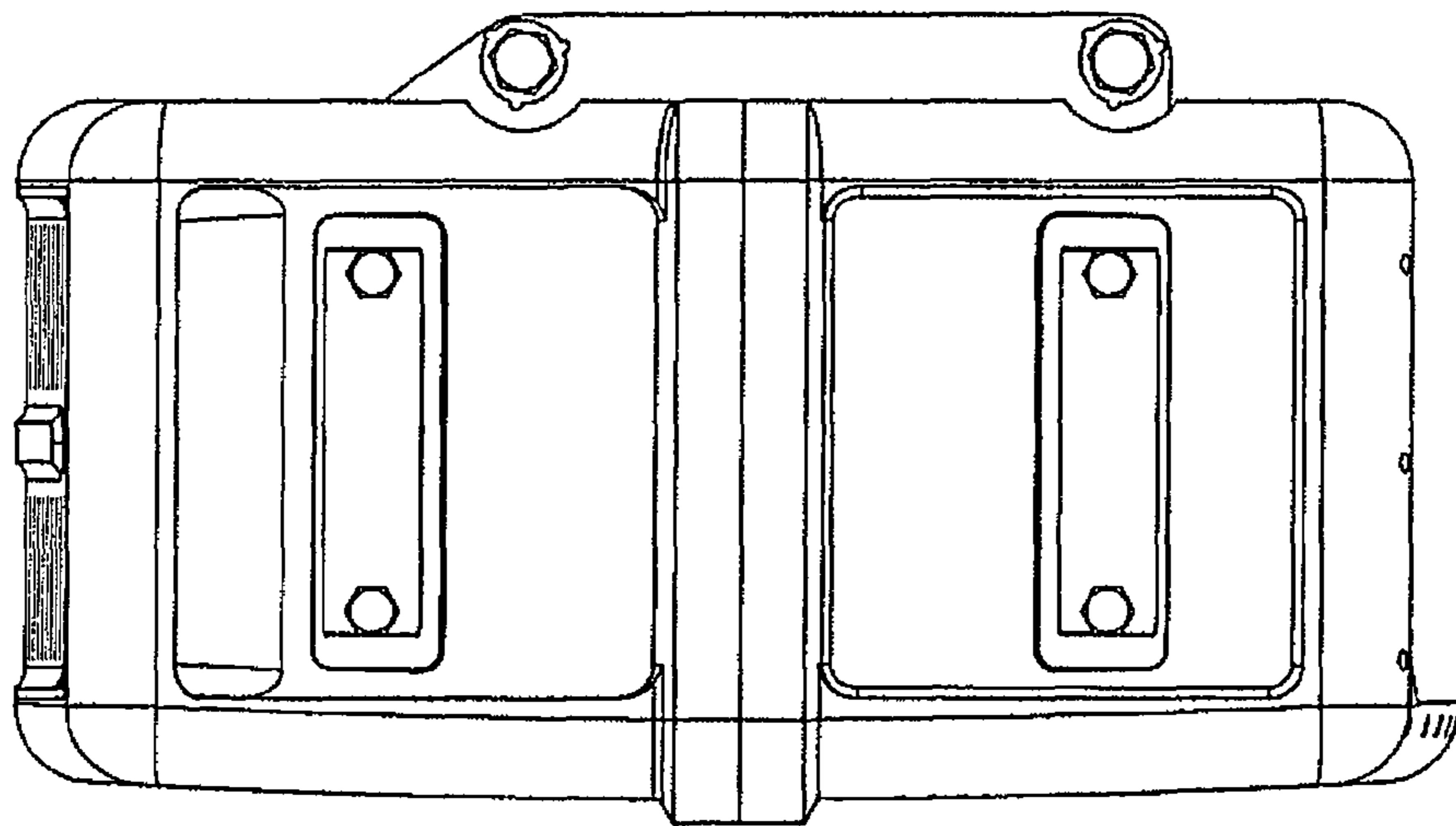


Figure 7

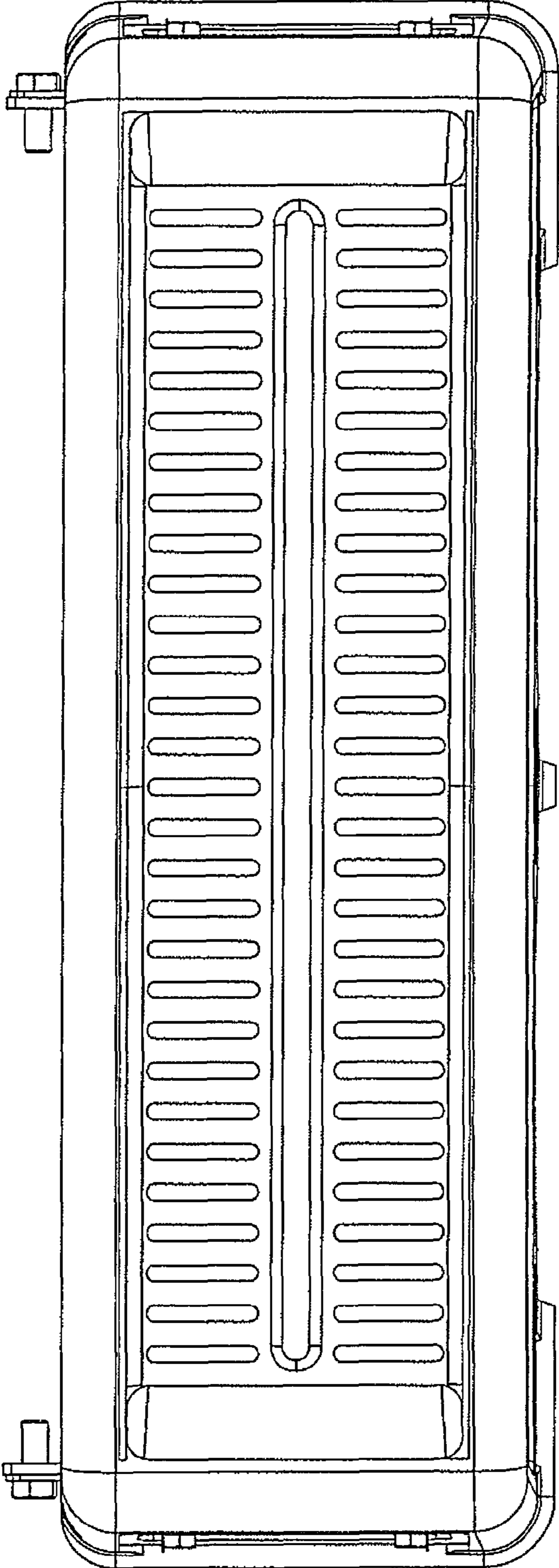


Figure 8