



US00D712933S

(12) **United States Design Patent**
DeOreo et al.

(10) **Patent No.:** **US D712,933 S**
(45) **Date of Patent:** **** Sep. 9, 2014**

(54) **DIAPHRAGM PUMP**

Primary Examiner — Ralf Seifert

(75) Inventors: **Daniel J. DeOreo**, Manchester, MA (US); **Joel A. Kenney**, Beverly, MA (US)

(57) **CLAIM**
We claim the ornamental design of a diaphragm pump, as shown and described herein.

(73) Assignee: **Flow Control LLC**, Beverly, MA (US)

DESCRIPTION

(**) Term: **14 Years**

(21) Appl. No.: **29/429,114**

(22) Filed: **Aug. 7, 2012**

(51) **LOC (10) Cl.** **15-02**

(52) **U.S. Cl.**
USPC **D15/7**

(58) **Field of Classification Search**
USPC D15/7-9; D23/231, 232, 225; 417/60, 417/235, 265, 321, 355, 358, 363, 359, 417/410.1, 415-416, 405, 900; 60/408, 60/412; 184/26-37; 415/140-147; 123/495, 509; D24/111

See application file for complete search history.

FIG. 1 is a front perspective view of a diaphragm pump from one end, according to the present invention;
FIG. 2 is a front perspective view of the diaphragm pump shown in FIG. 1 from the opposite end, according to the present invention;
FIG. 3 is a side view of the diaphragm pump shown in FIG. 1, according to the present invention;
FIG. 4 is a corresponding side view of the diaphragm pump from the side opposite of that shown in FIG. 3, according to the present invention;
FIG. 5 is a top view of the diaphragm pump shown in FIG. 1 according to the present invention;
FIG. 6 is a bottom view of the diaphragm pump shown in FIG. 1 according to the present invention;
FIG. 7 is a front view of the diaphragm pump shown in FIG. 1 according to the present invention; and,
FIG. 8 is a back view of the diaphragm pump shown in FIG. 1 according to the present invention.

The broken lines shown of elements found throughout the drawing disclosure is included for the purpose of illustrating non-claimed environmental matter and forms no part of the claimed design.

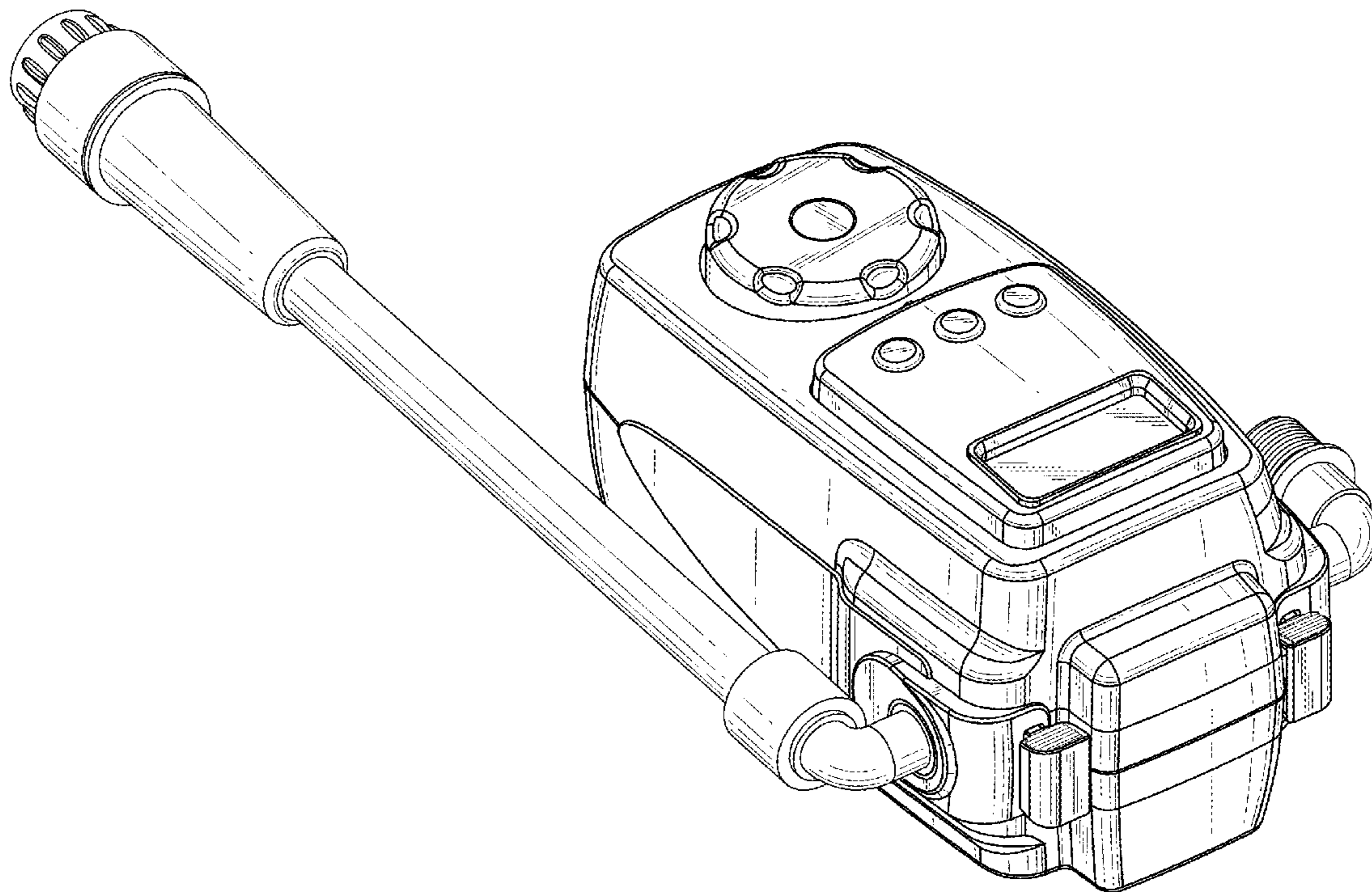
(56) **References Cited**

U.S. PATENT DOCUMENTS

D500,326 S	*	12/2004	Fathallah et al.	D15/9
D548,751 S	*	8/2007	Snider	D15/7
D624,877 S	*	10/2010	Daniels et al.	D13/107
D682,318 S	*	5/2013	Goh	D15/9

* cited by examiner

1 Claim, 7 Drawing Sheets



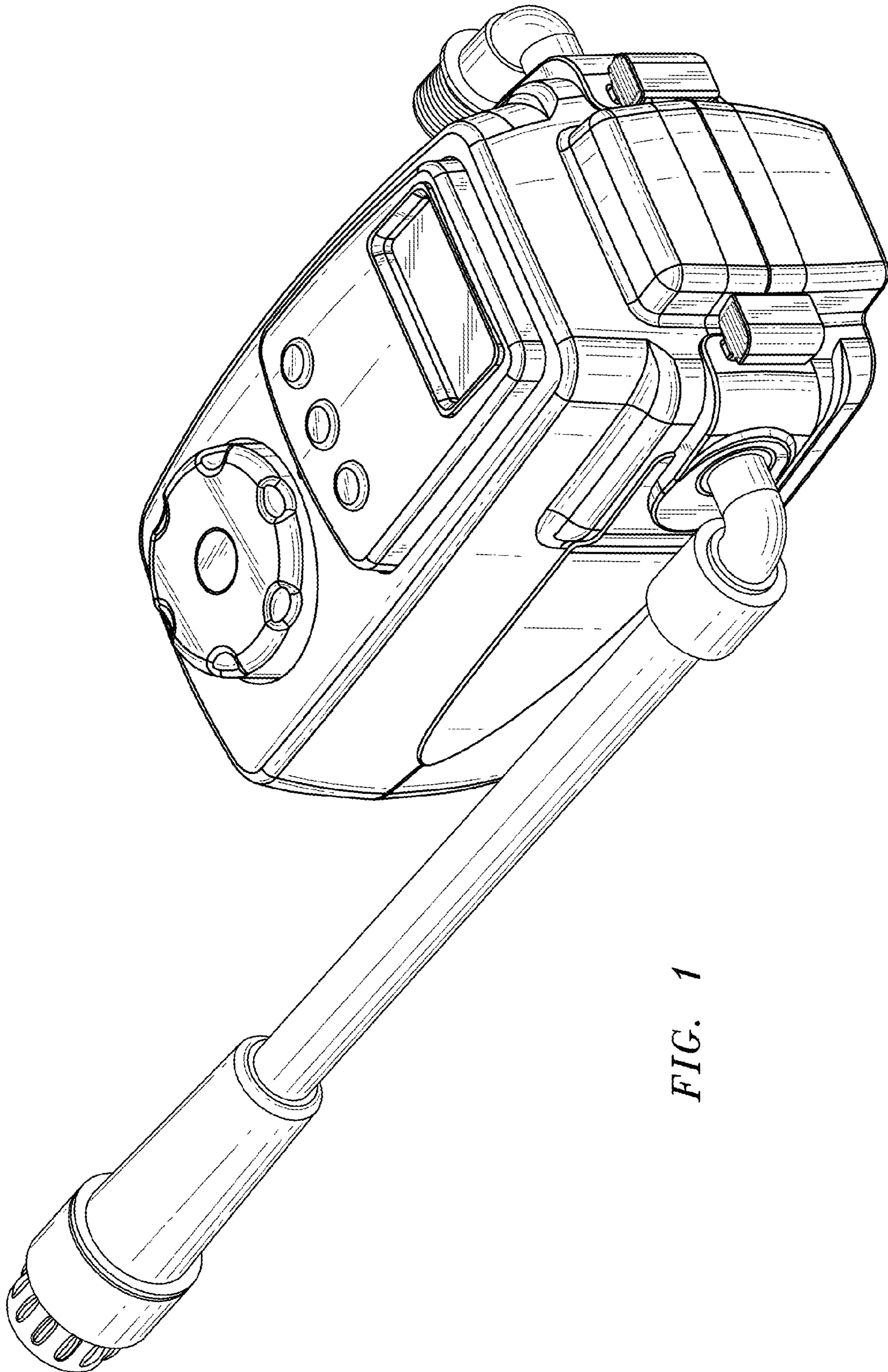


FIG. 1

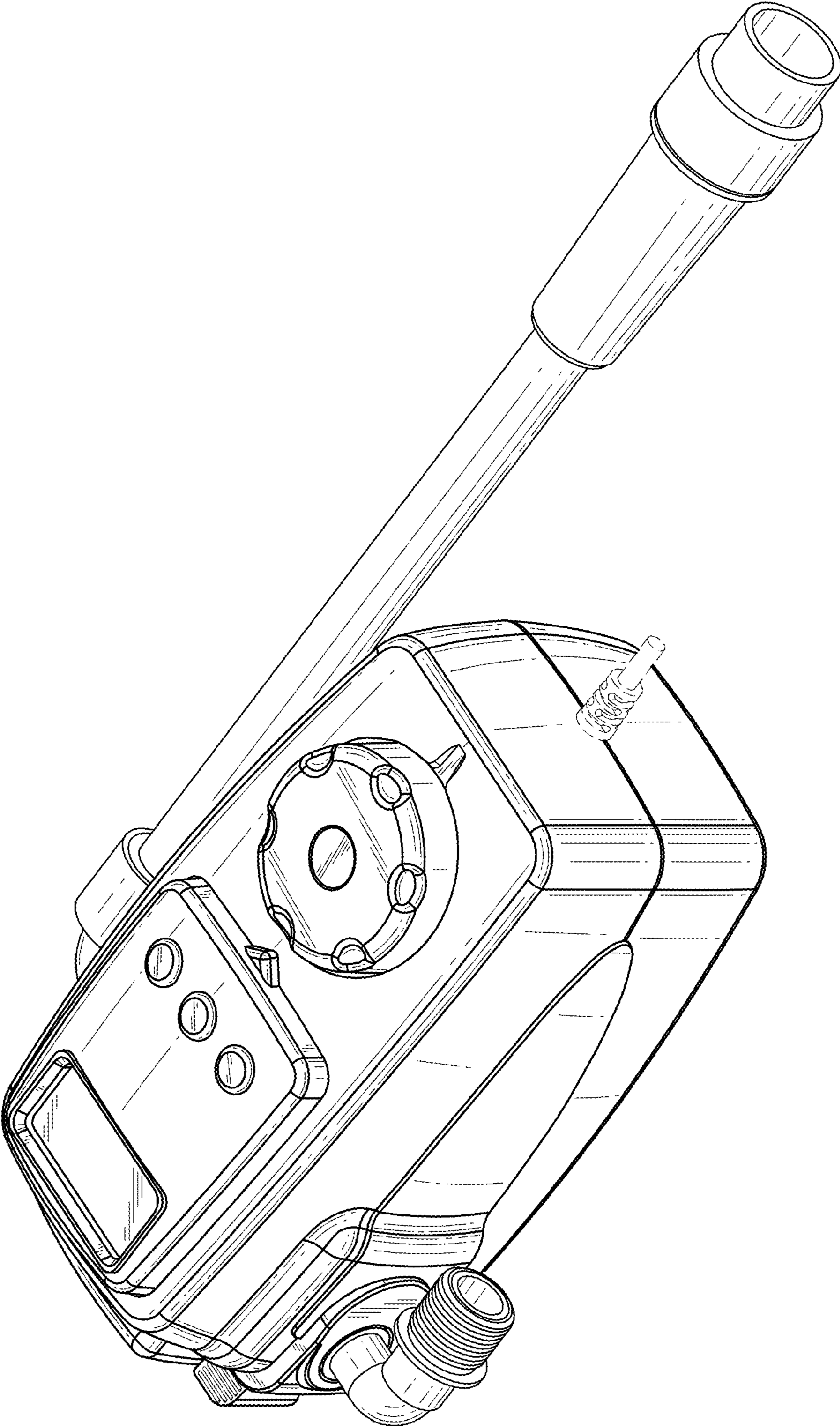


FIG. 2

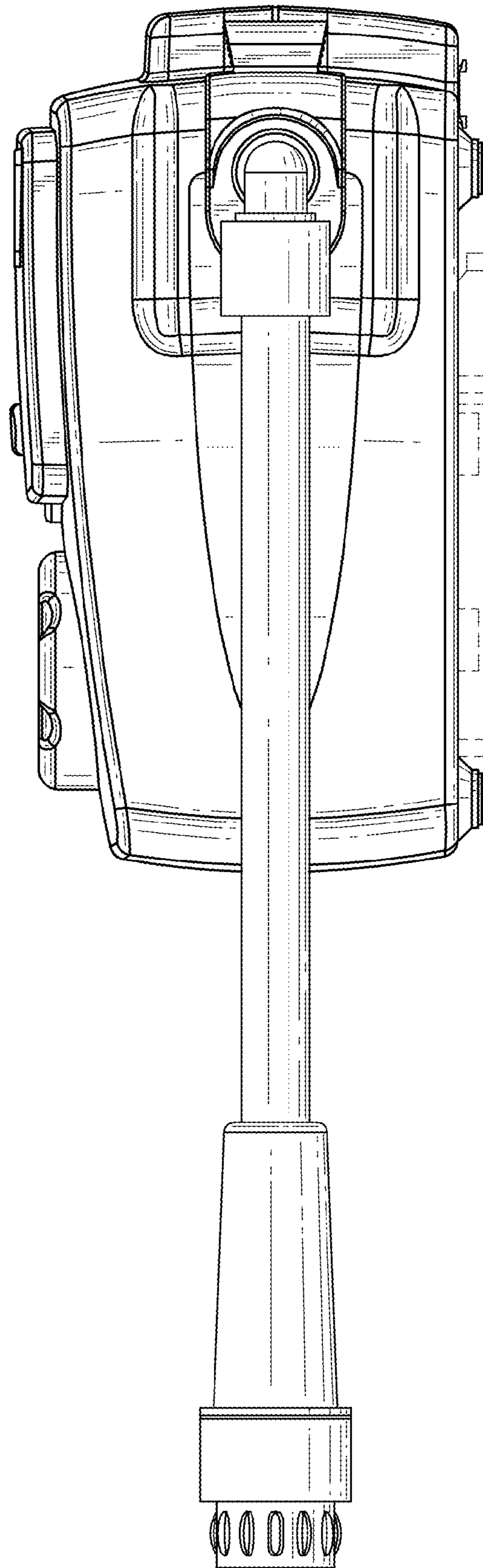


FIG. 3

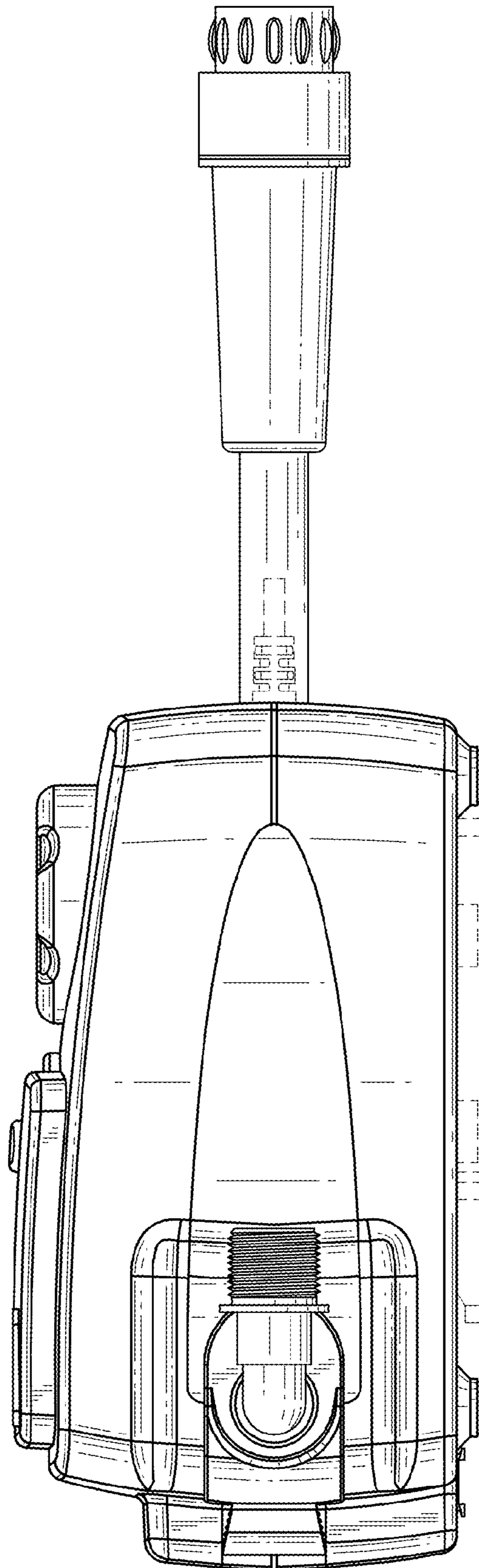


FIG. 4

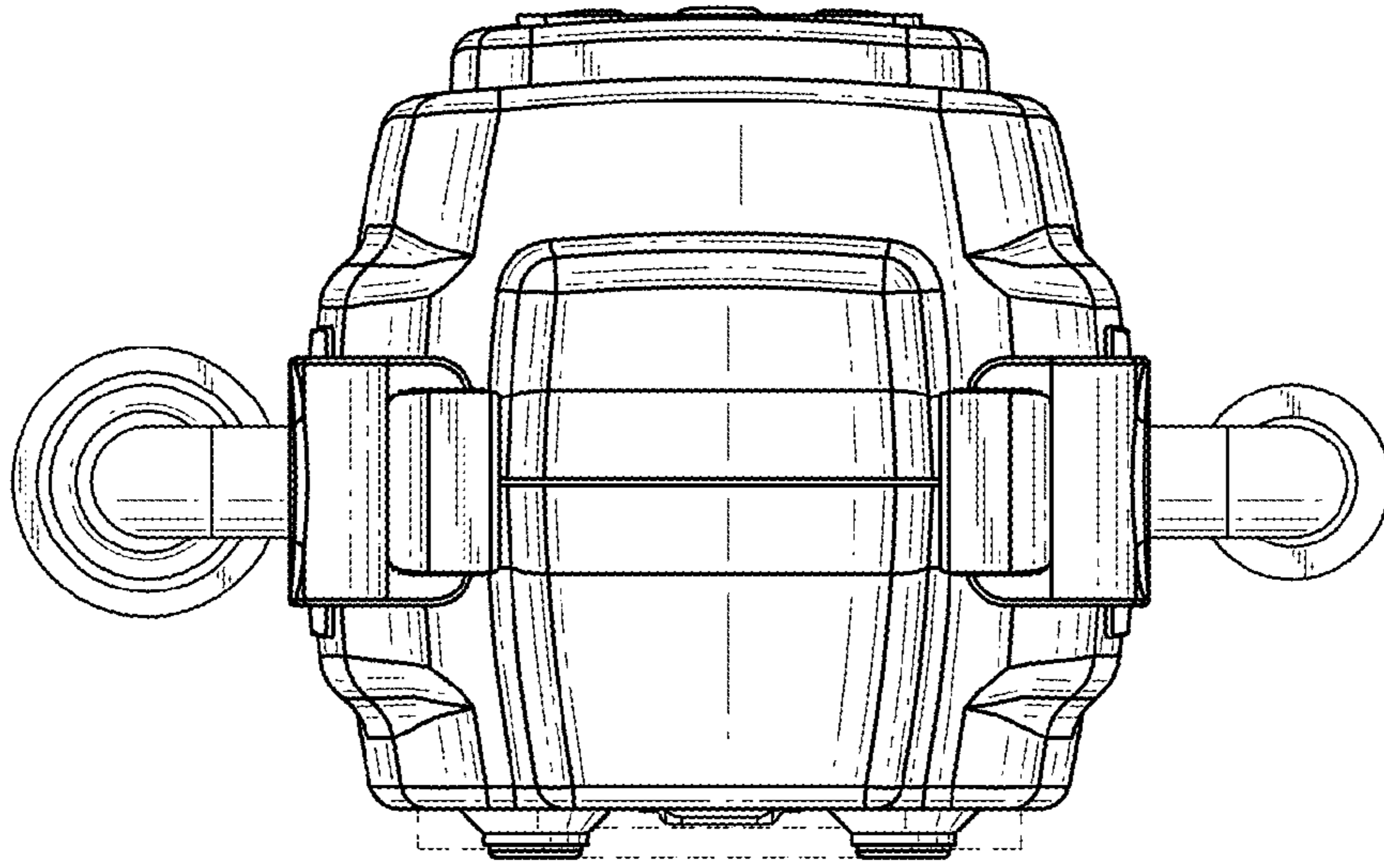


FIG. 5

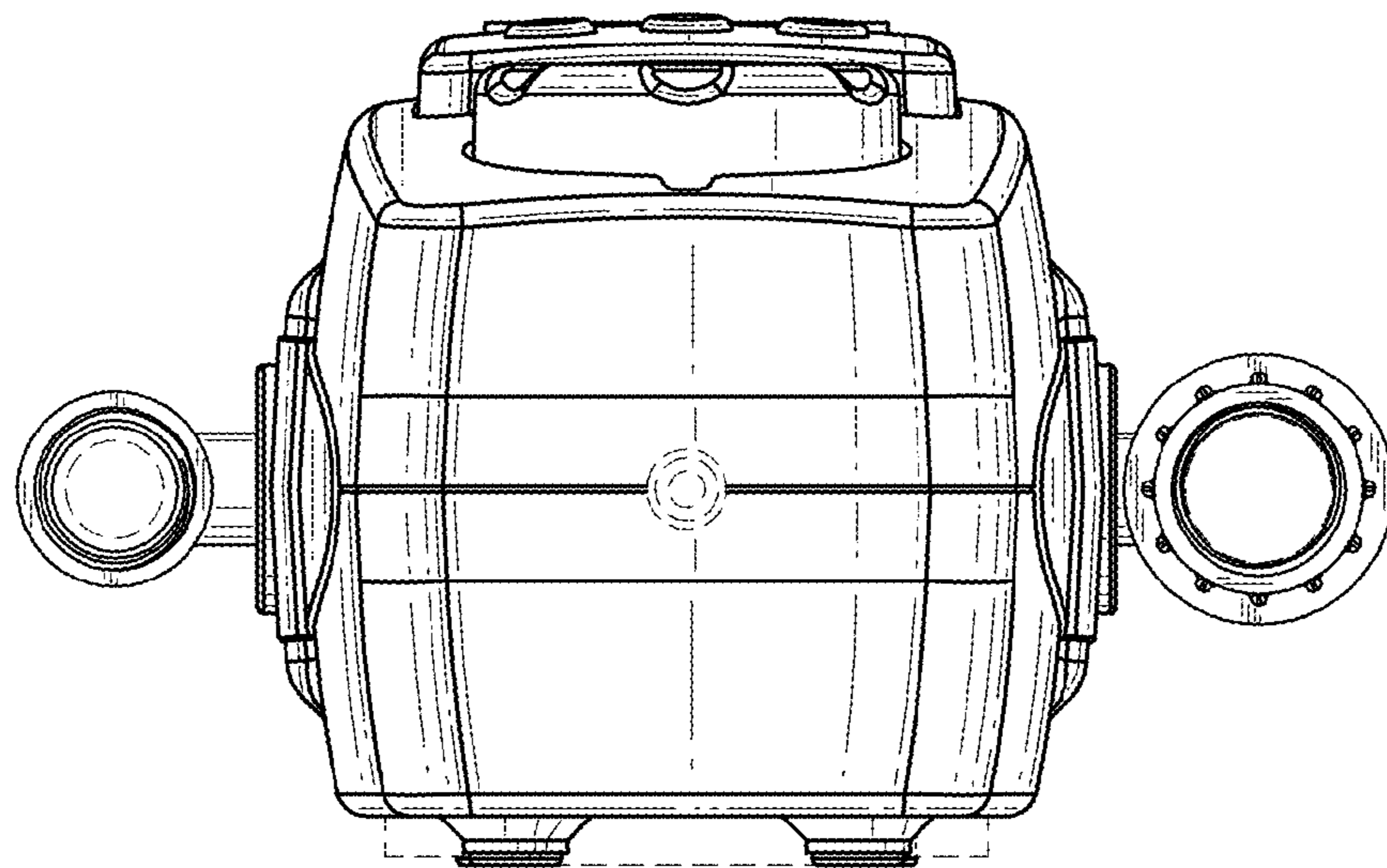


FIG. 6

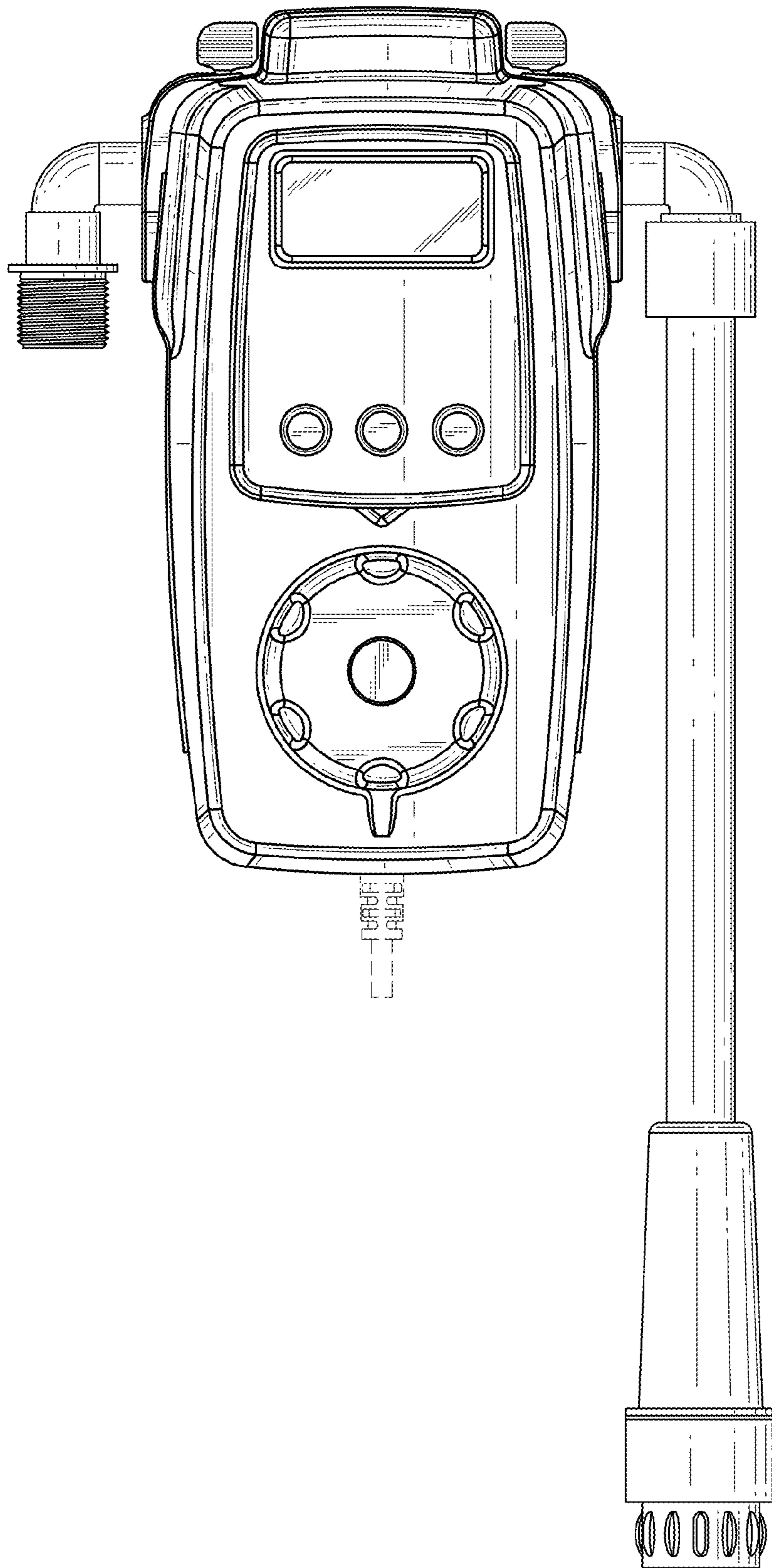


FIG. 7

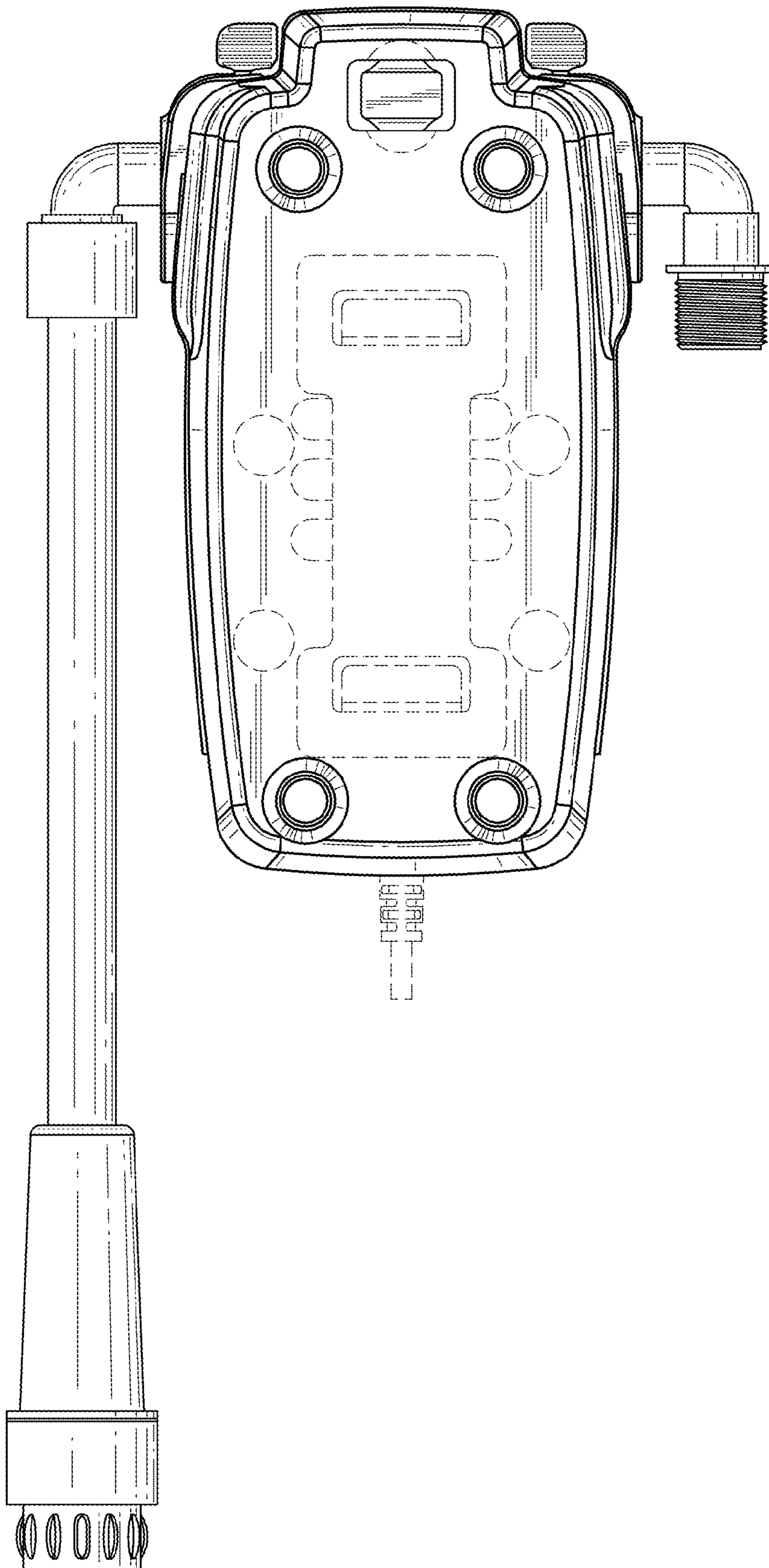


FIG. 8