



US00D712932S

(12) **United States Design Patent**
Hall

(10) **Patent No.:** **US D712,932 S**

(45) **Date of Patent:** **** *Sep. 9, 2014**

(54) **FUEL CONTROL APPARATUS**

(56) **References Cited**

(75) Inventor: **Roger Hall**, Marysville, WA (US)

U.S. PATENT DOCUMENTS

(73) Assignee: **Turn & Bank Holdings, Inc.**,
Gibonville, NC (US)

6,631,705 B1 * 10/2003 Rivera 123/454

* cited by examiner

(*) Notice: This patent is subject to a terminal disclaimer.

Primary Examiner — T. Chase Nelson

Assistant Examiner — Ania Aman

(74) *Attorney, Agent, or Firm* — Williams Mullen, PC;
Richard T. Matthews

(**) Term: **14 Years**

(57) **CLAIM**

(21) Appl. No.: **29/424,439**

I claim the ornamental design for a fuel control apparatus, as shown and described.

(22) Filed: **Jun. 12, 2012**

DESCRIPTION

Related U.S. Application Data

(63) Continuation of application No. 29/351,141, filed on Dec. 1, 2009, now abandoned.

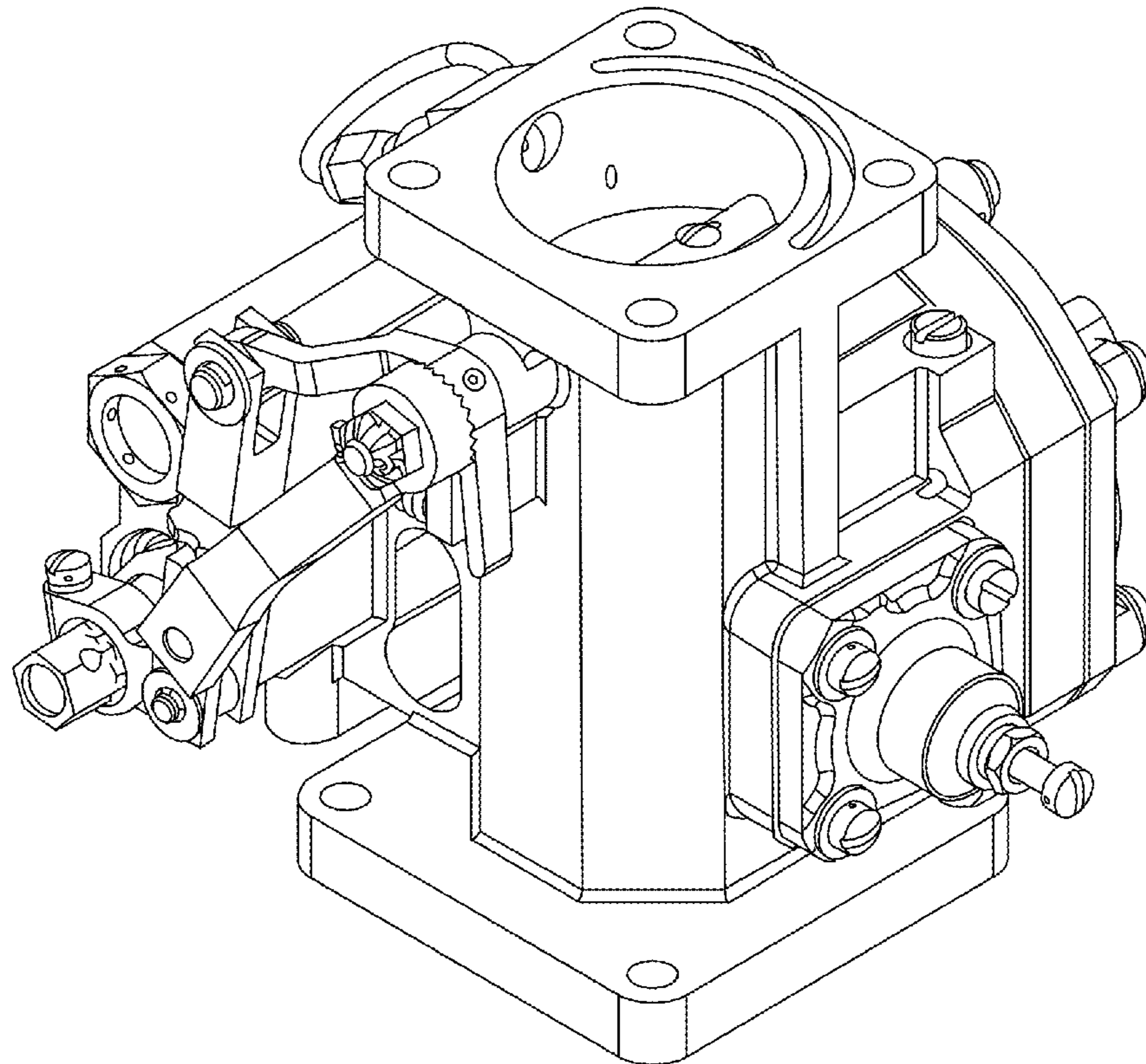
(51) **LOC (10) Cl.** **15-01**

(52) **U.S. Cl.**
USPC **D15/5**

(58) **Field of Classification Search**
USPC D15/1-6; 123/457, 445, 454
See application file for complete search history.

FIG. 1 is a front view of the present invention;
FIG. 2 is a left side view of the current invention;
FIG. 3 is a right side view of the present invention;
FIG. 4 is a top view of the current invention;
FIG. 5 is a bottom view of the present invention;
FIG. 6 is a back view of the present invention; and,
FIG. 7 is a front perspective view of the present invention.
The broken lines shown in the drawings are for the purpose of illustrating portions of the article that form no part of the claimed invention.

1 Claim, 7 Drawing Sheets



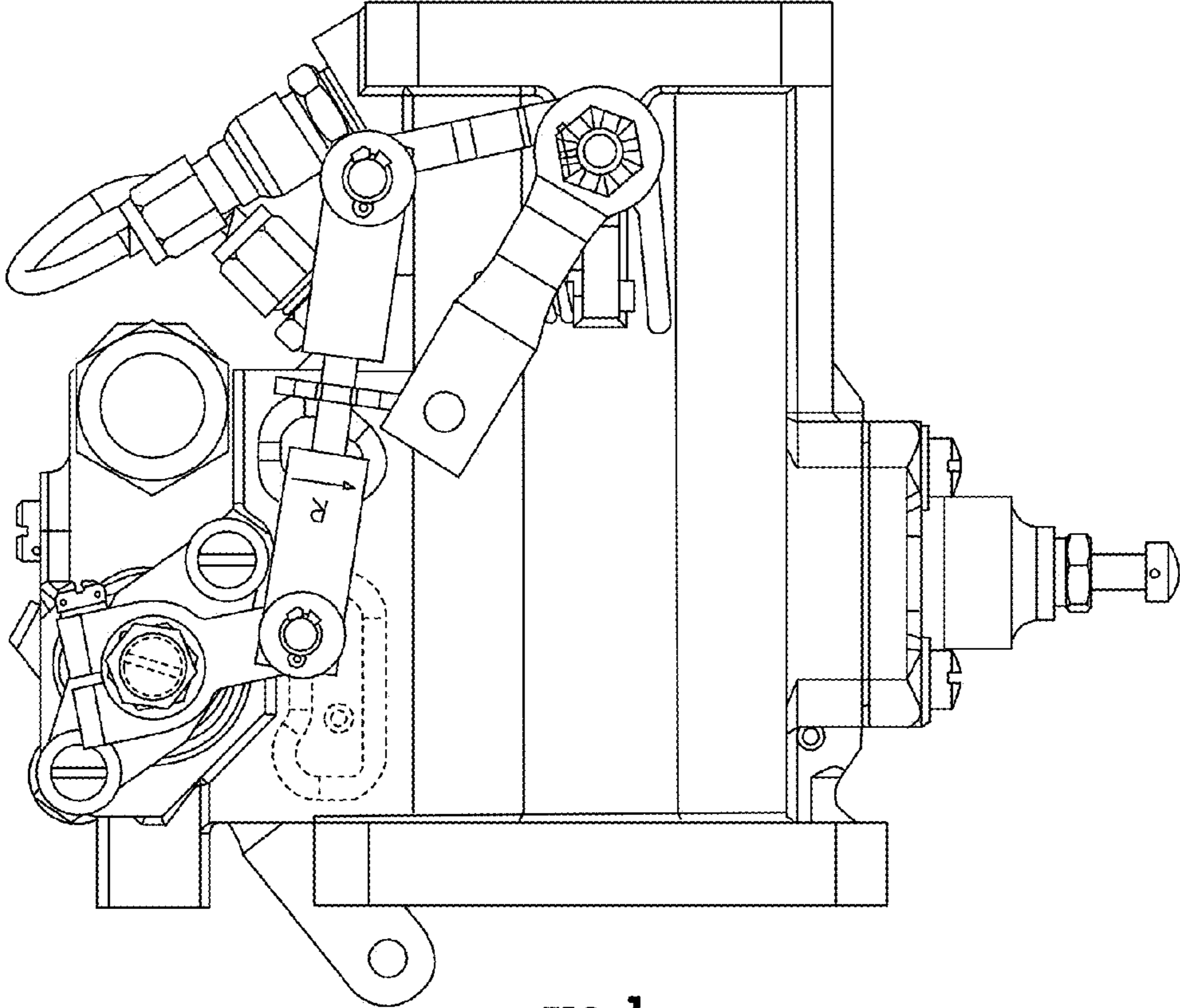


FIG. 1

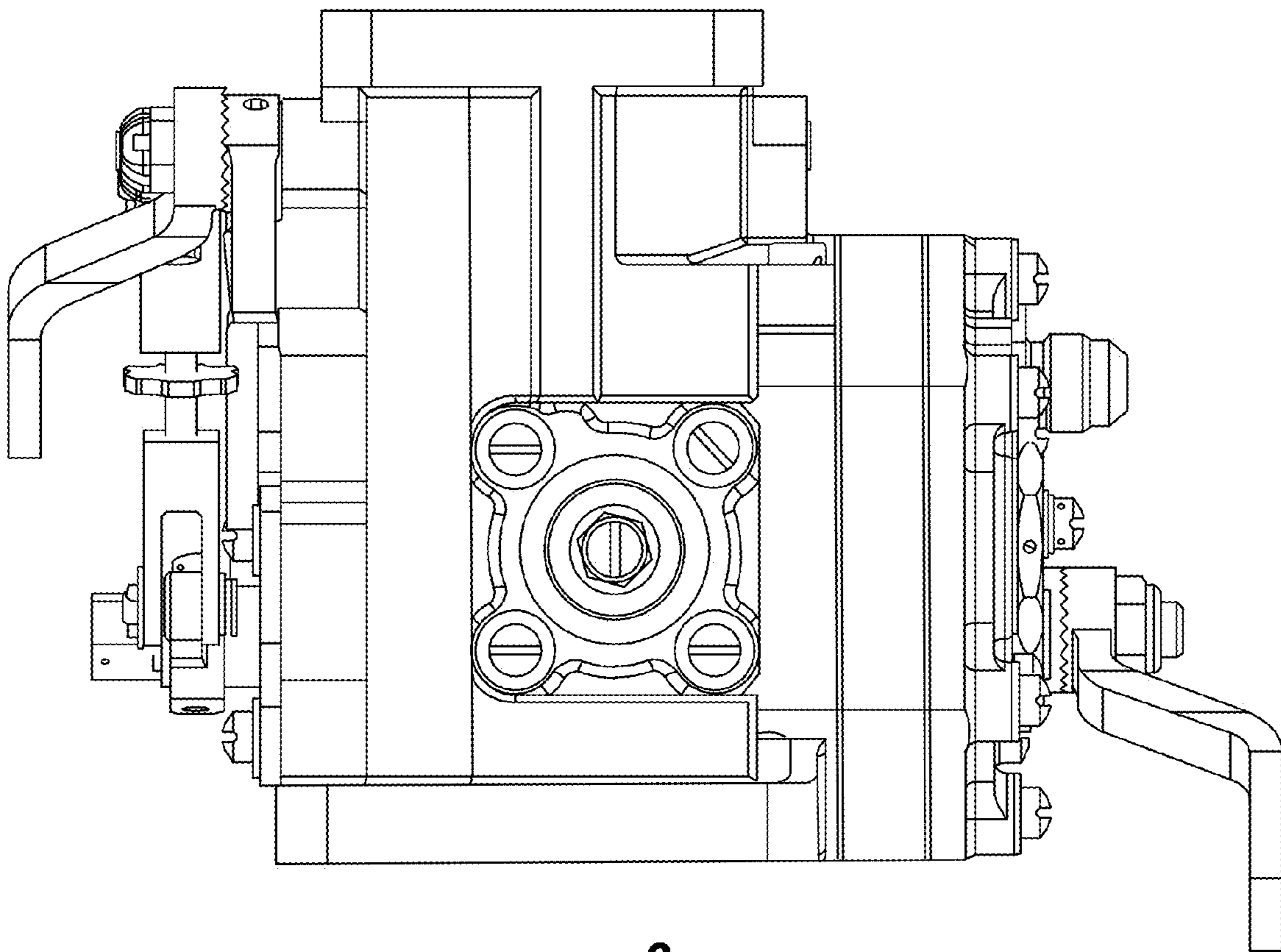


FIG. 2

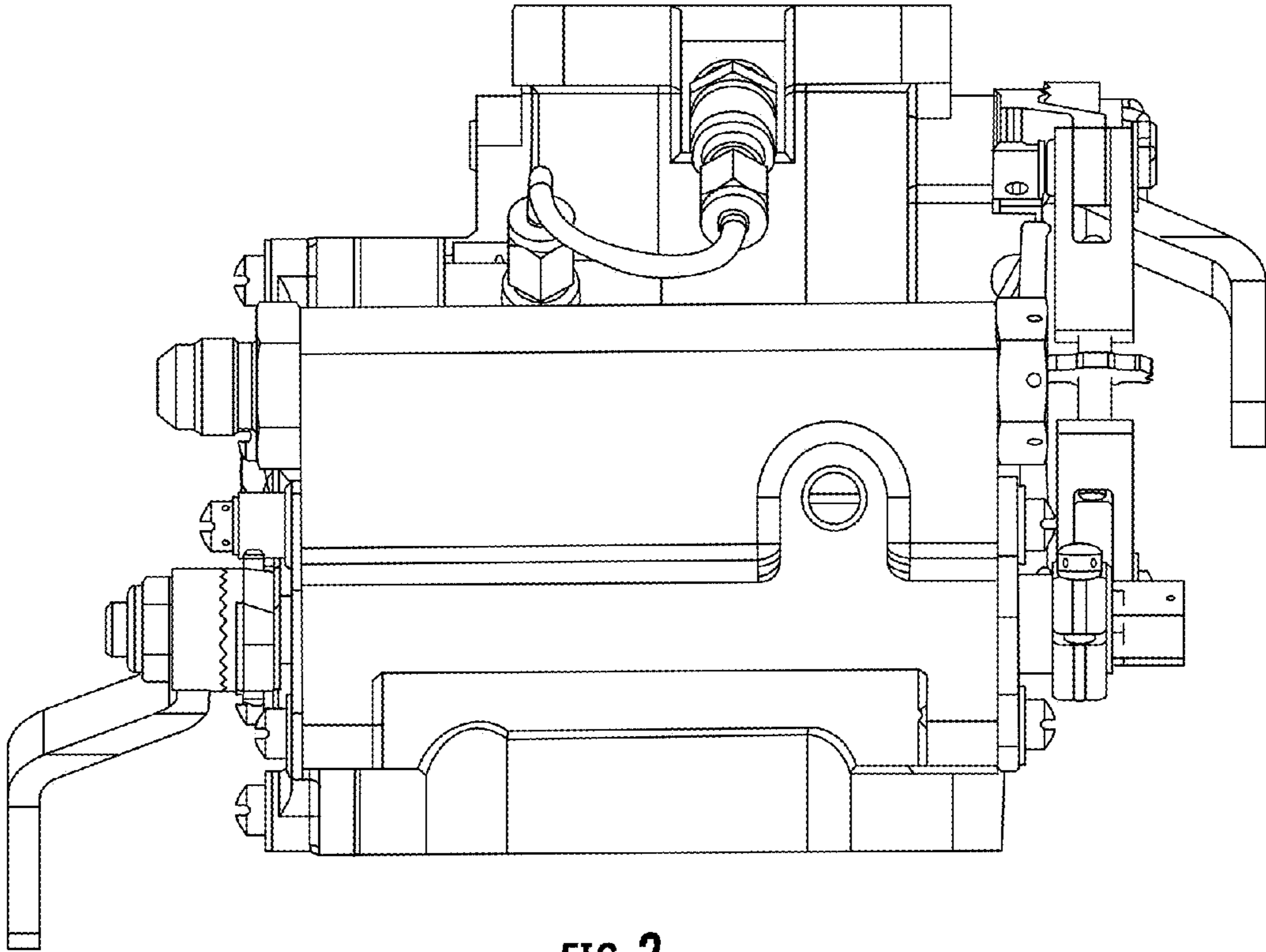


FIG. 3

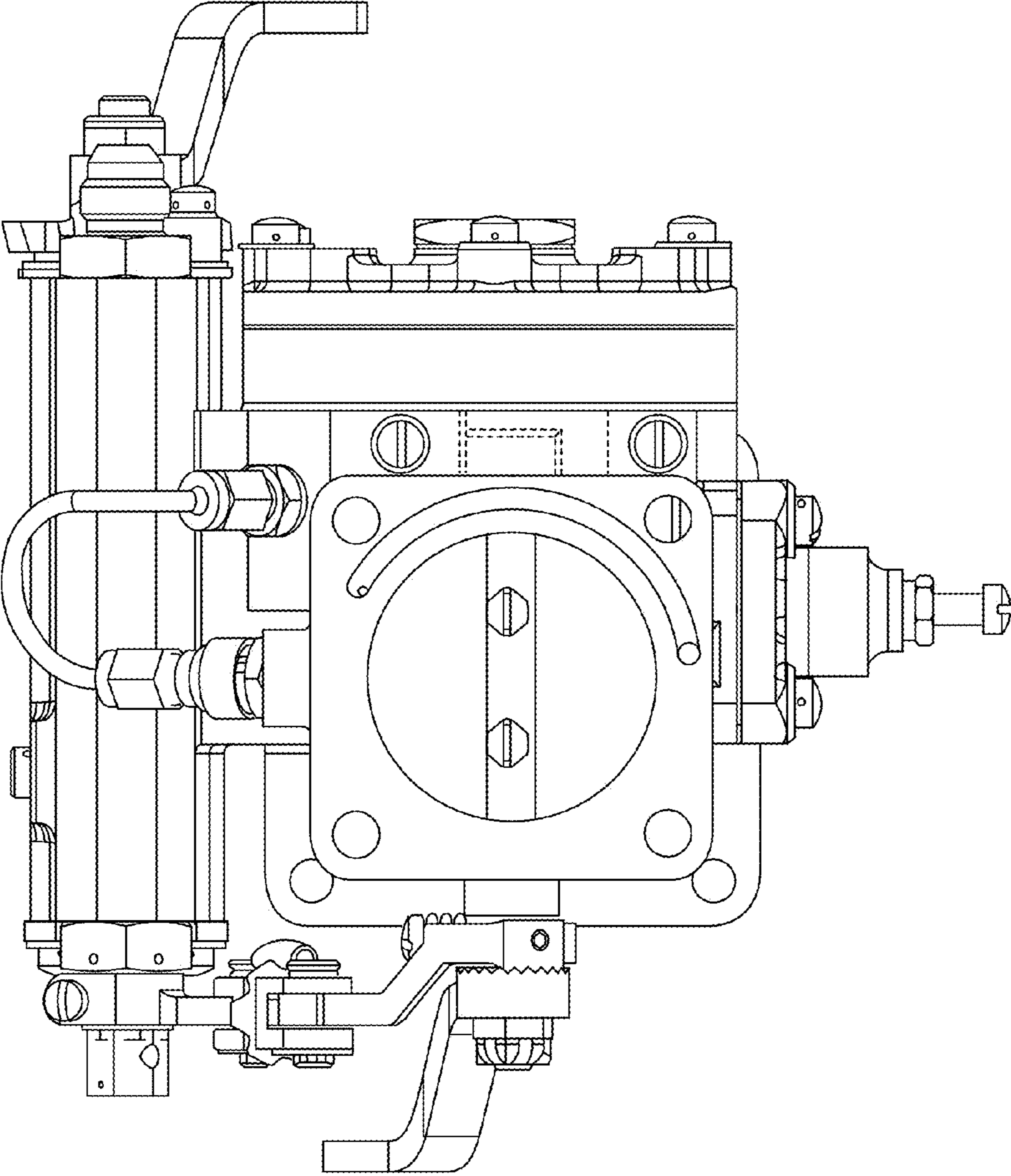
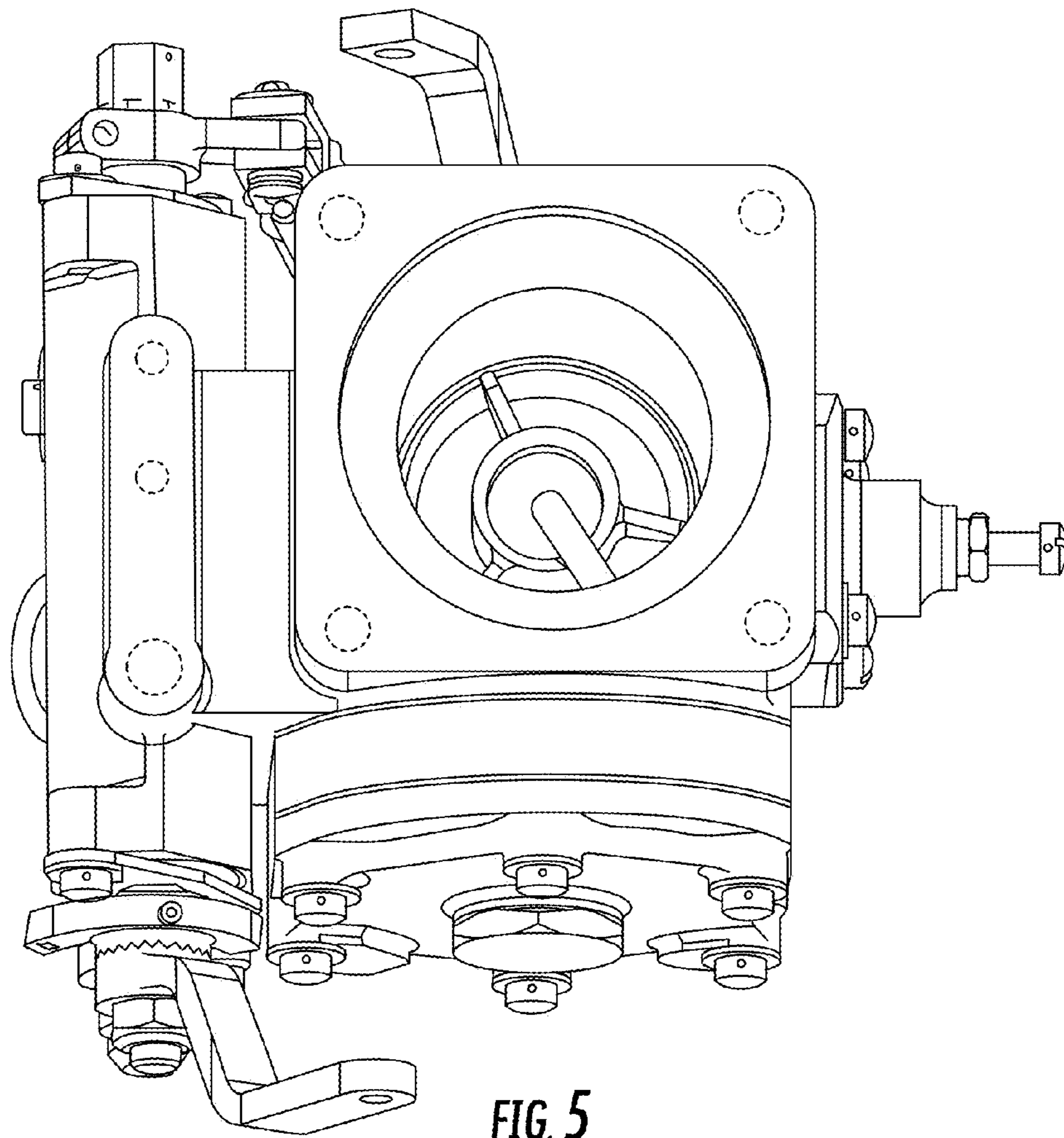


FIG. 4



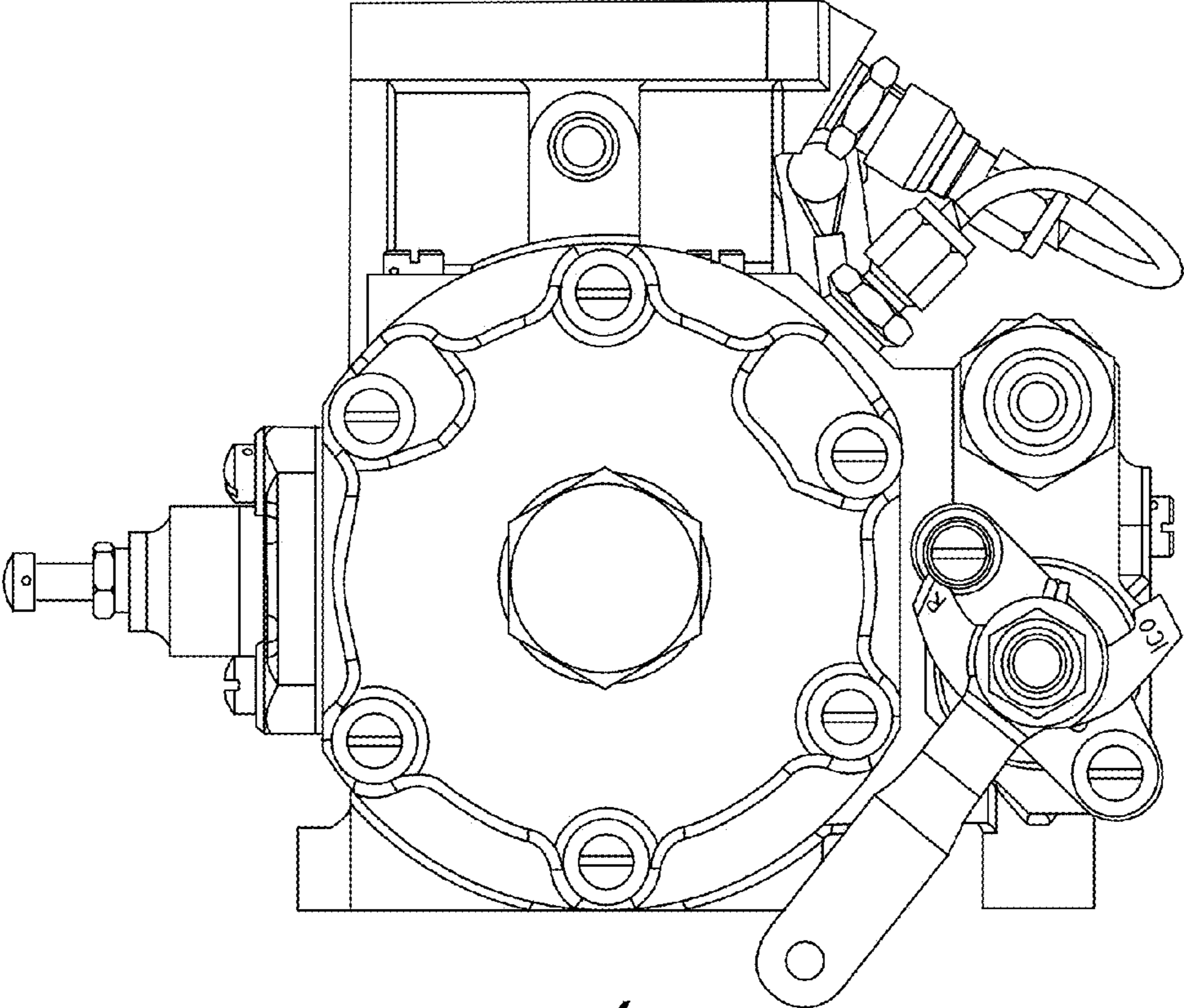


FIG. 6

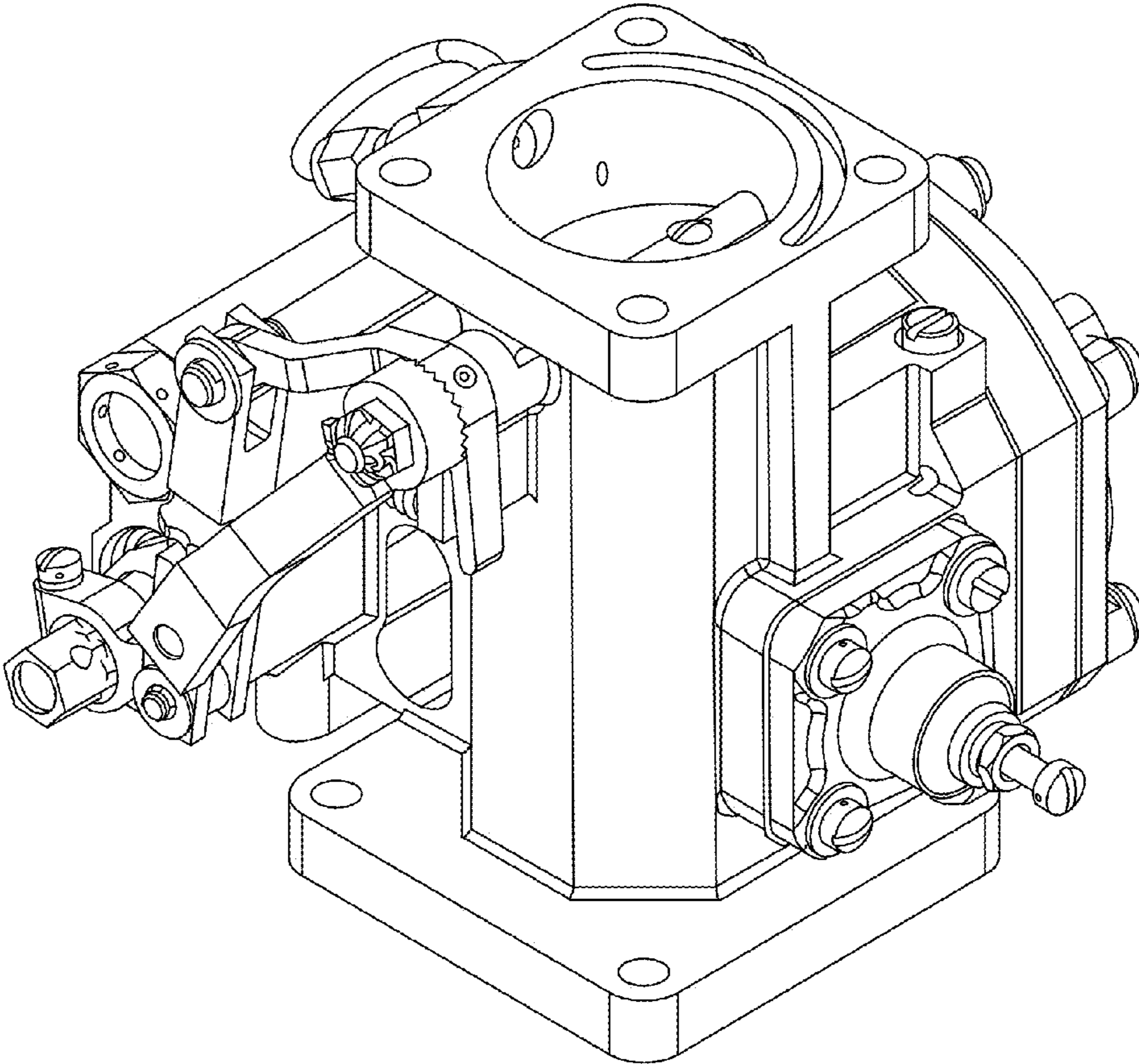


FIG. 7