



US00D712931S

(12) **United States Design Patent**
Matsumoto

(10) **Patent No.:** **US D712,931 S**
(45) **Date of Patent:** **** Sep. 9, 2014**

(54) **OUTBOARD MOTOR**

D635,586 S * 4/2011 Okamoto D15/4
D666,633 S * 9/2012 Watanabe D15/4
D692,922 S * 11/2013 Okamoto D15/4

(71) Applicant: **Suzuki Motor Corporation,**
Shizuoka-ken (JP)

* cited by examiner

(72) Inventor: **Shingo Matsumoto,** Shizuoka-ken (JP)

Primary Examiner — T. Chase Nelson

(73) Assignee: **Suzuki Motor Corporation,**
Shizuoka-ken (JP)

Assistant Examiner — Ania Aman

(74) *Attorney, Agent, or Firm* — Alston & Bird LLP

(**) Term: **14 Years**

(21) Appl. No.: **29/451,059**

(57) **CLAIM**

I claim the ornamental design for an outboard motor, as shown and described.

(22) Filed: **Mar. 27, 2013**

(30) **Foreign Application Priority Data**

Oct. 29, 2012 (JP) 2012-026213

(51) **LOC (10) Cl.** **15-01**

(52) **U.S. Cl.**
USPC **D15/4**

(58) **Field of Classification Search**
USPC D15/1-5, 149; 123/195 P; 440/3, 4,
440/88 R, 52; D12/317, 181
See application file for complete search history.

(56) **References Cited**

U.S. PATENT DOCUMENTS

D549,240 S * 8/2007 Okamoto D15/4
D611,063 S * 3/2010 Okamoto D15/4

DESCRIPTION

FIG. 1 is a front view of an outboard motor showing our new design;

FIG. 2 is a rear view thereof;

FIG. 3 is a top view thereof;

FIG. 4 is a bottom view thereof;

FIG. 5 is a right side view thereof;

FIG. 6 is a left side view thereof;

FIG. 7 is a diagonally forward perspective view thereof; and,

FIG. 8 is a diagonally backward perspective view thereof.

1 Claim, 8 Drawing Sheets

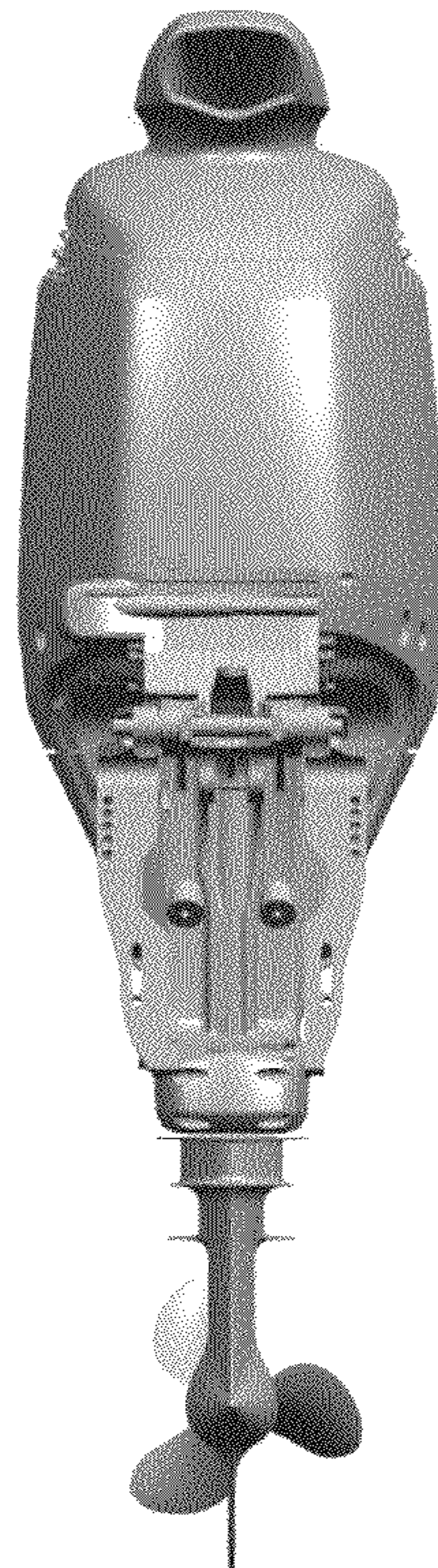


FIG.1

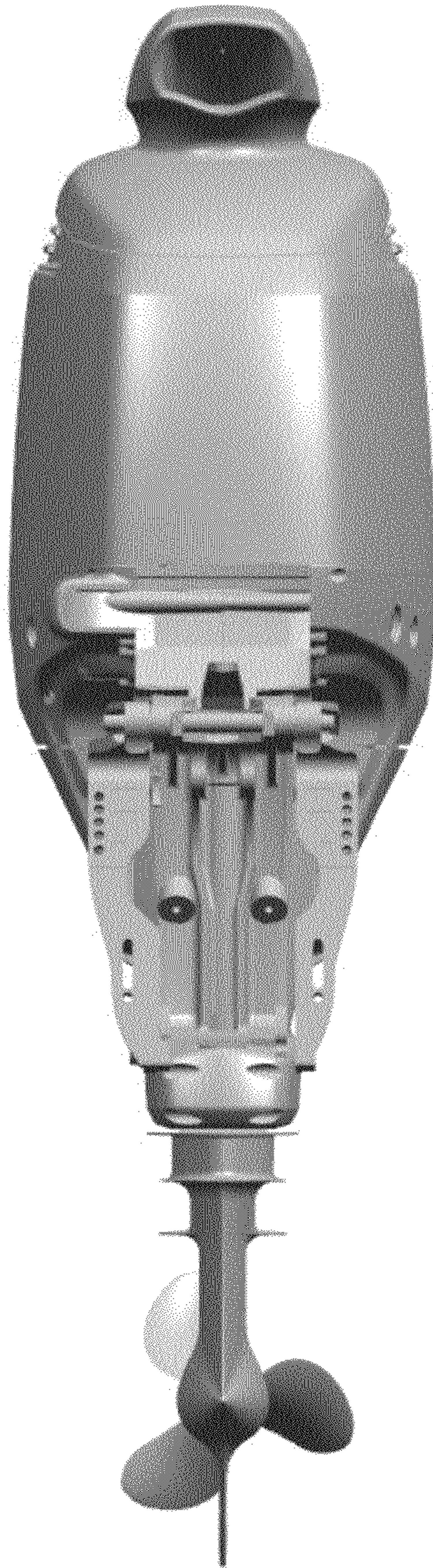


FIG.2

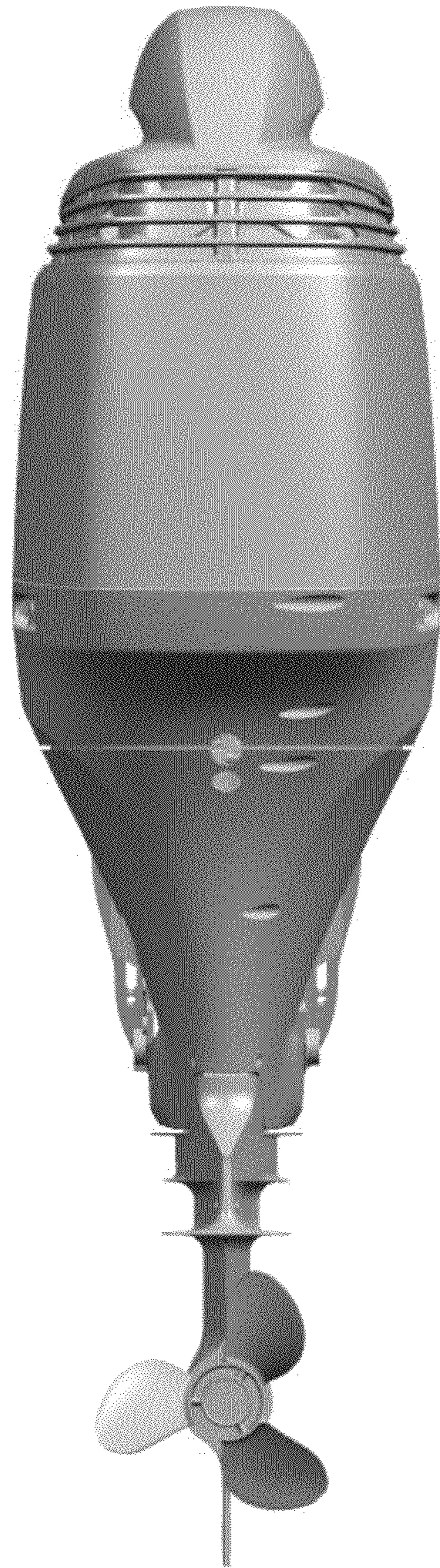


FIG.3

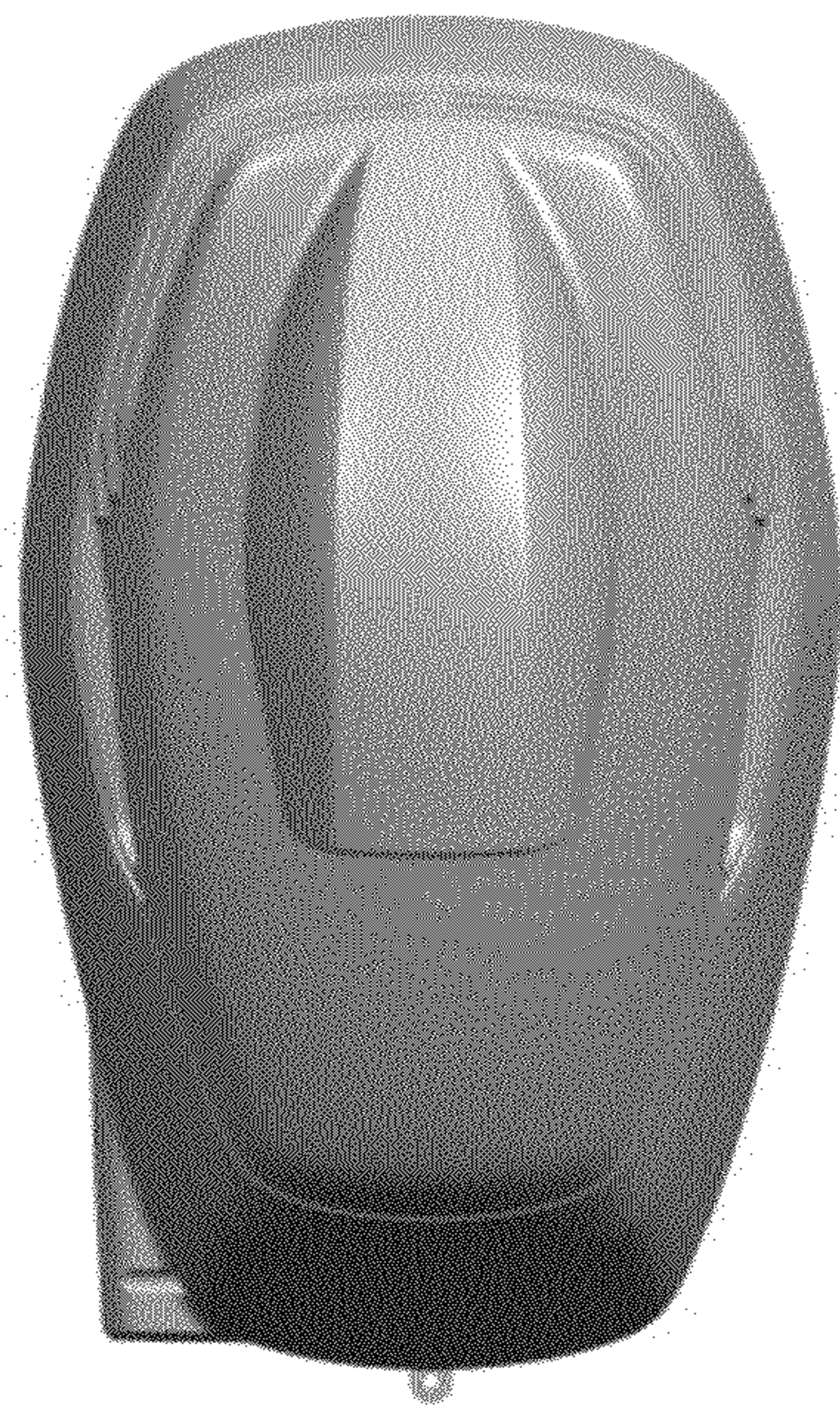


FIG.4

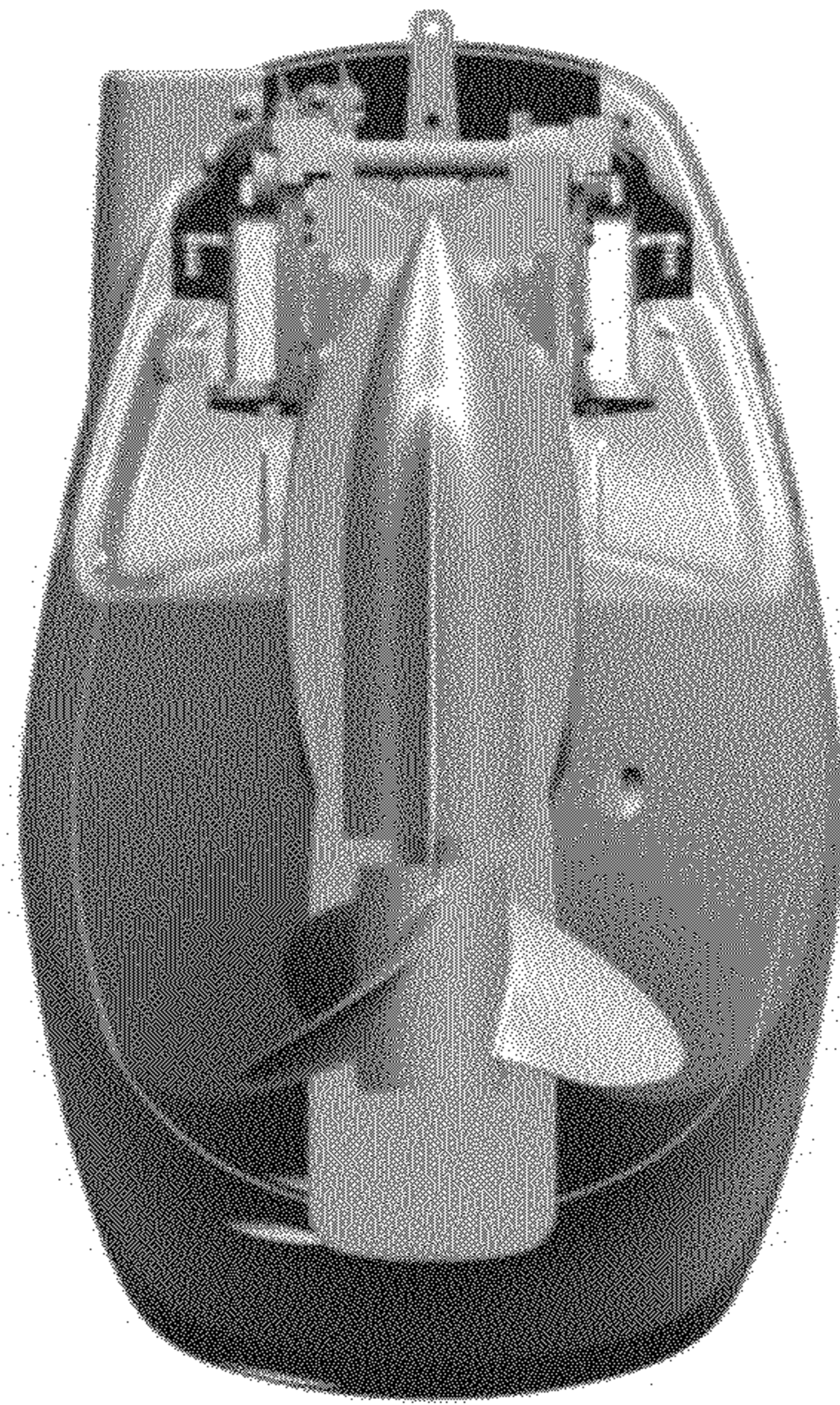


FIG.5



FIG.6



FIG.7

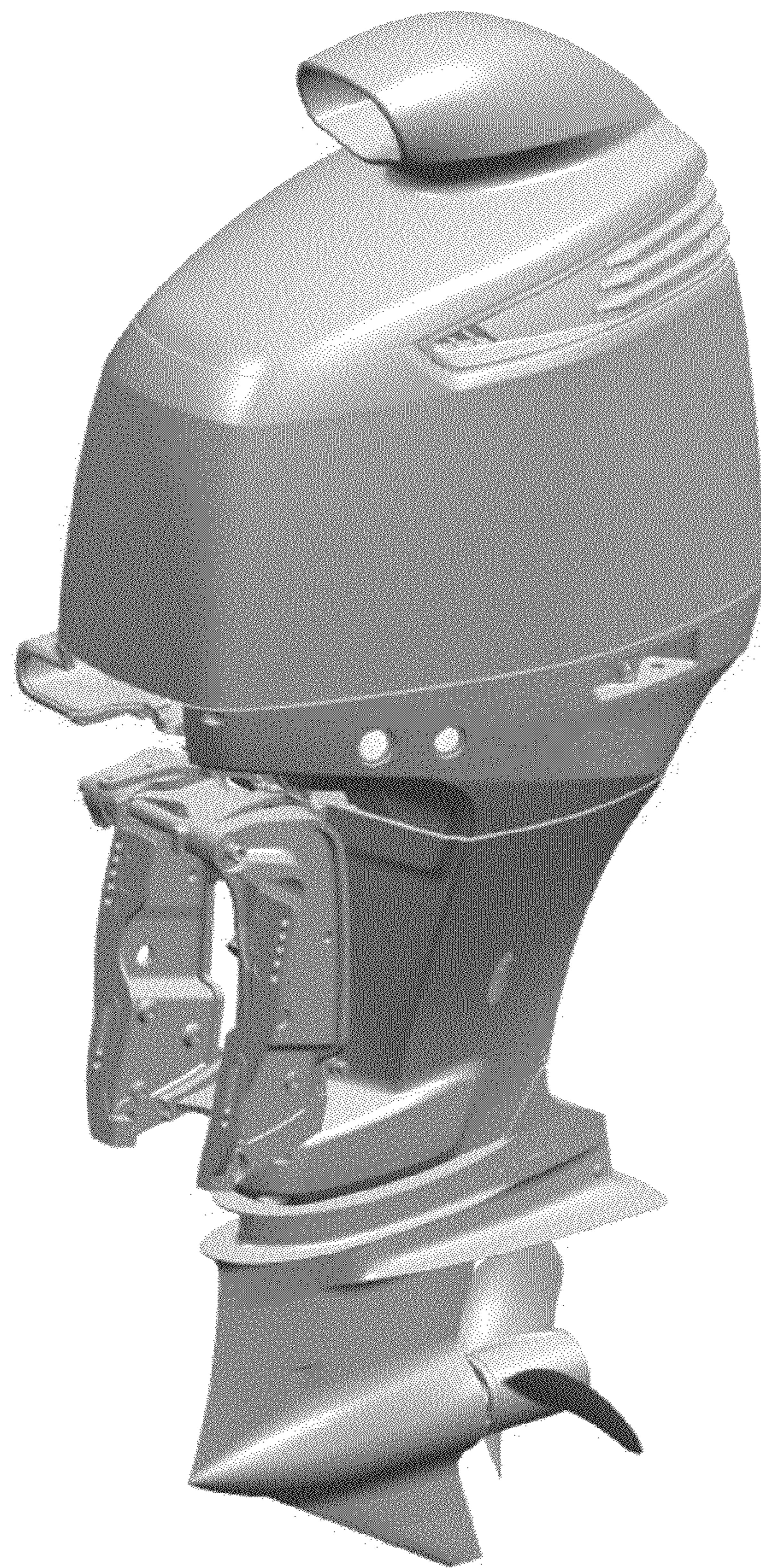


FIG.8

