



US00D712930S

(12) **United States Design Patent**
Lee et al.

(10) **Patent No.:** **US D712,930 S**
(45) **Date of Patent:** **** Sep. 9, 2014**

(54) **ELECTRONIC DEVICE**

(56) **References Cited**

(71) Applicant: **Samsung Electronics Co., Ltd.**,
Suwon-si (KR)
(72) Inventors: **SangChul Lee**, Namyangju-si (KR);
Sangmin Hyun, Seoul (KR); **Hoseong**
Seo, Suwonsi (KR); **Shiyun Cho**,
Anyangsi (KR)

U.S. PATENT DOCUMENTS

6,192,253	B1 *	2/2001	Charlier et al.	455/575.7
6,565,444	B2 *	5/2003	Nagata et al.	463/46
6,897,368	B2 *	5/2005	Georges	84/609
7,004,469	B2 *	2/2006	von Goeben	273/348
7,209,648	B2 *	4/2007	Barber et al.	386/243
D547,328	S *	7/2007	Kin	D14/496
7,356,362	B2 *	4/2008	Chang et al.	455/575.2
D598,469	S *	8/2009	Harris, Jr.	D14/496
D608,794	S *	1/2010	Xiao et al.	D14/496
D616,417	S *	5/2010	Liao	D14/203.5
D622,694	S *	8/2010	Lascelles	D14/203.3
D664,564	S *	7/2012	Gillett et al.	D14/496

(73) Assignee: **Samsung Electronics Co., Ltd.**,
Suwon-si (KR)

(**) Term: **14 Years**

* cited by examiner

(21) Appl. No.: **29/459,665**

Primary Examiner — Prabhakar Deshmukh

(22) Filed: **Jul. 2, 2013**

(74) *Attorney, Agent, or Firm* — Ladas & Parry LLP

(30) **Foreign Application Priority Data**

(57) **CLAIM**

The ornamental design for an electronic device, as shown and described.

Jan. 4, 2013 (KR) 30-2013-0000676

DESCRIPTION

(51) **LOC (10) Cl.** **14-03**

(52) **U.S. Cl.**
USPC **D14/496**

(58) **Field of Classification Search**
USPC D14/496, 401, 435, 474, 483, 217, 137,
D14/138, 160, 168, 356, 203.1–203.8, 507;
345/156, 169, 173–179, 905;
715/727–729, 864; 710/1, 5, 8; 713/1,
713/600; 455/1.1, 1.7, 73, 344–347, 93, 95,
455/3.01–3.06, 550.1, 573.1; 370/342–344;
369/1, 2, 6–12; 463/43–47; 273/148 B

FIG. 1 is the front/right-side/top perspective view of an electronic device showing our new design;
FIG. 2 is the front elevational view thereof;
FIG. 3 is the rear elevational view thereof;
FIG. 4 is the left-side elevational view thereof;
FIG. 5 is the right-side elevational view thereof;
FIG. 6 is the top-side plan view thereof; and,
FIG. 7 is the bottom-side plan view thereof.

The broken lines in the drawings indicate unclaimed portions of the design and form no part of the claimed design.

See application file for complete search history.

1 Claim, 7 Drawing Sheets

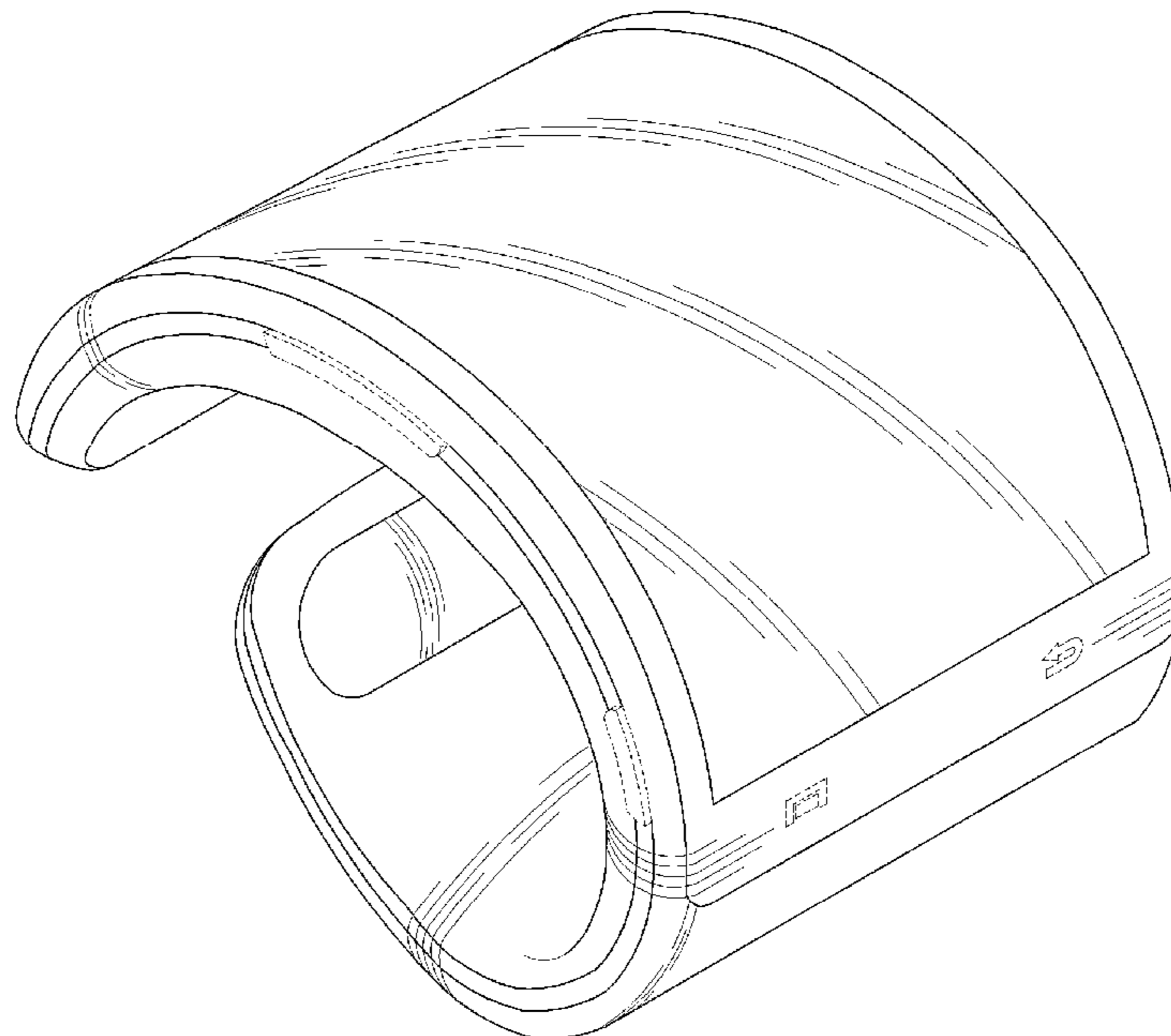


FIG. 1

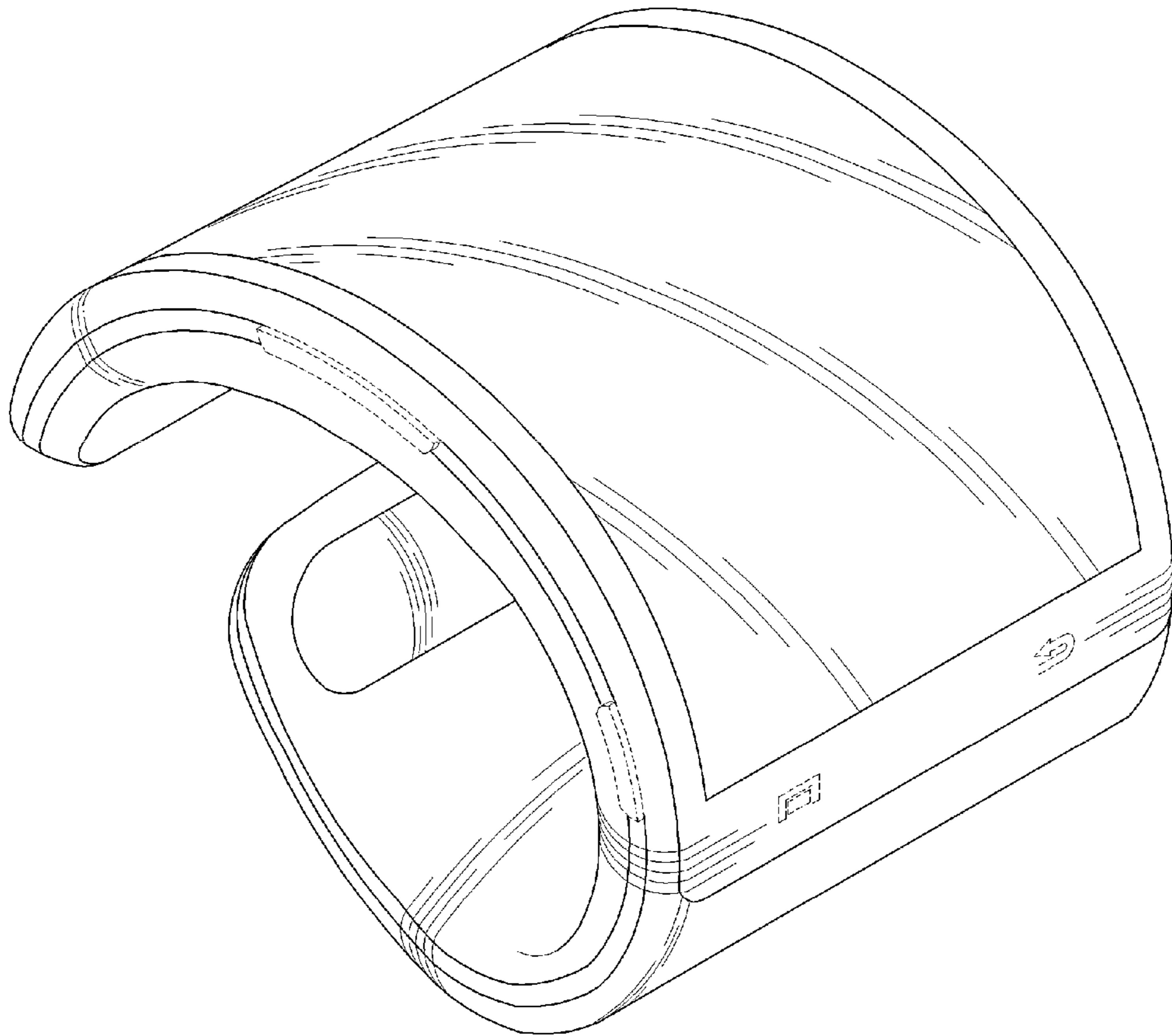


FIG. 2

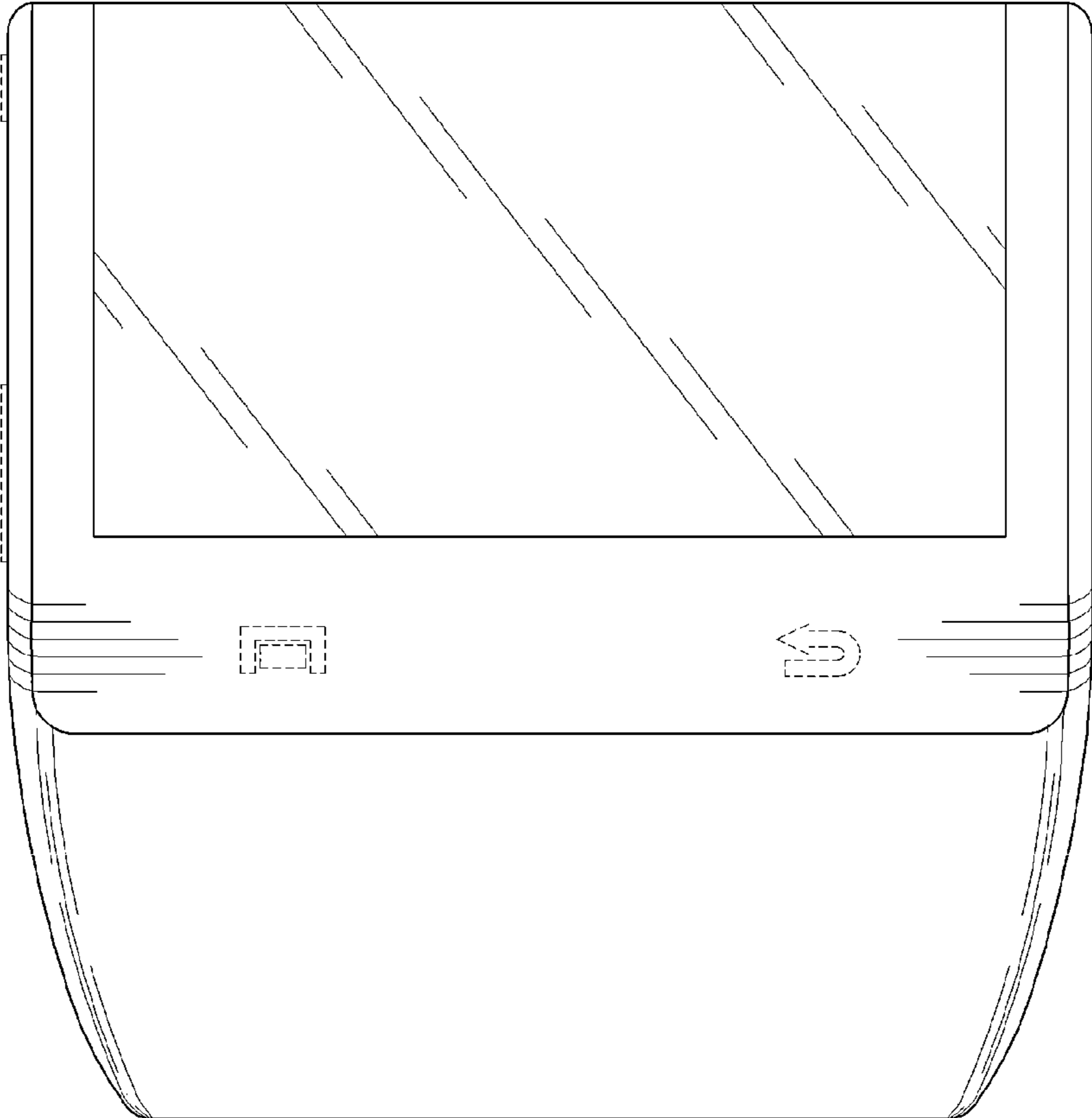


FIG. 3

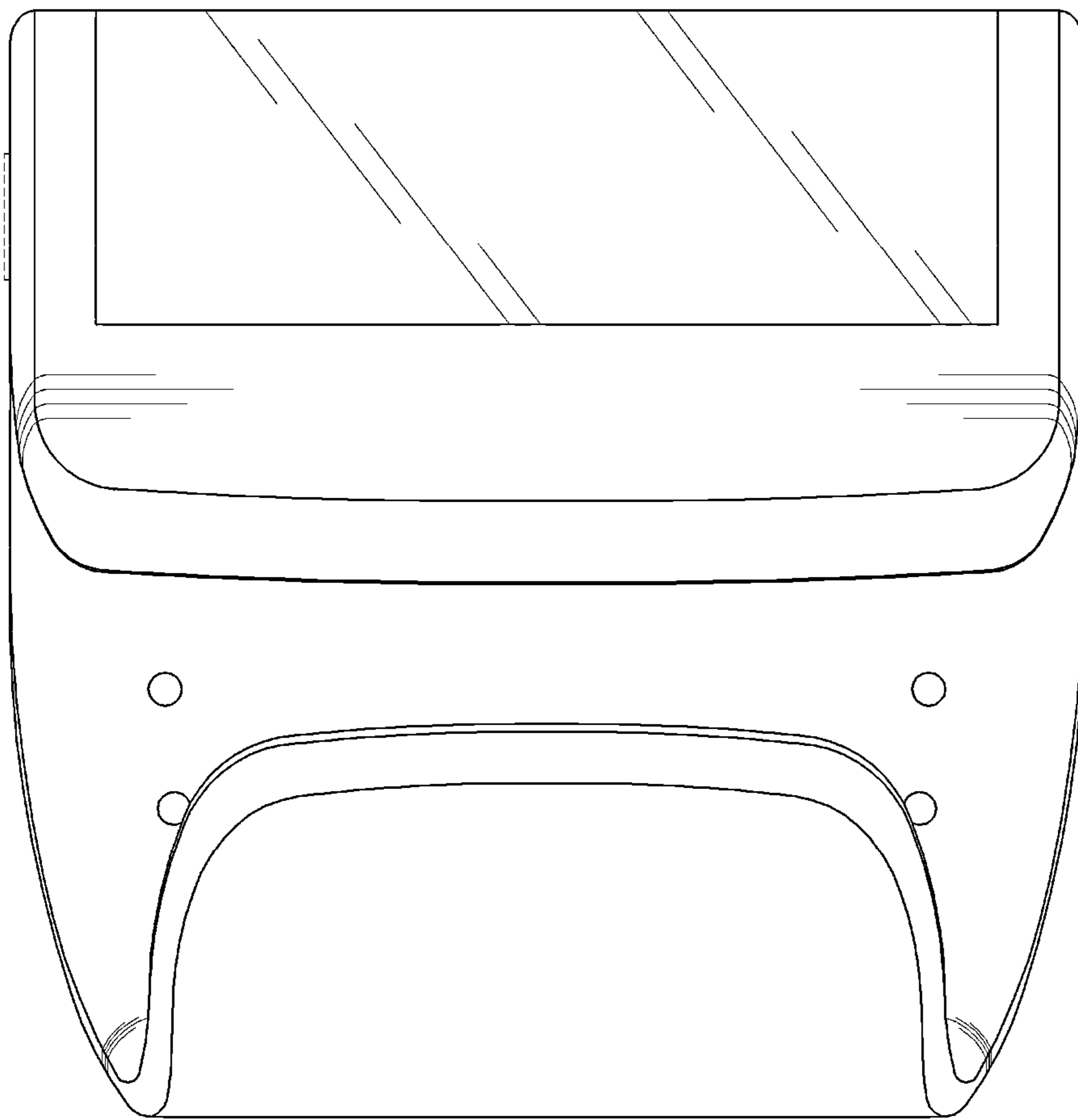


FIG. 4

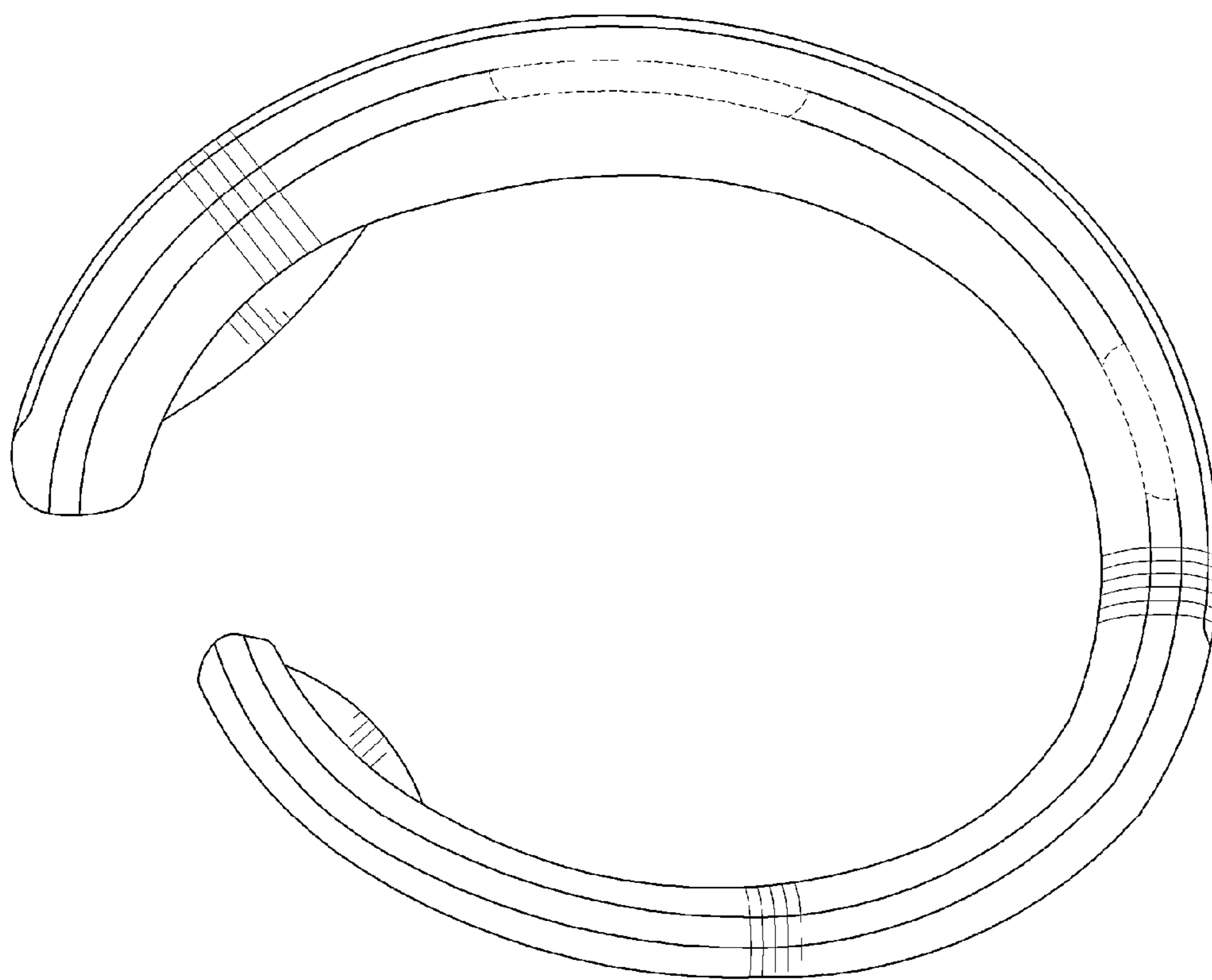


FIG. 5

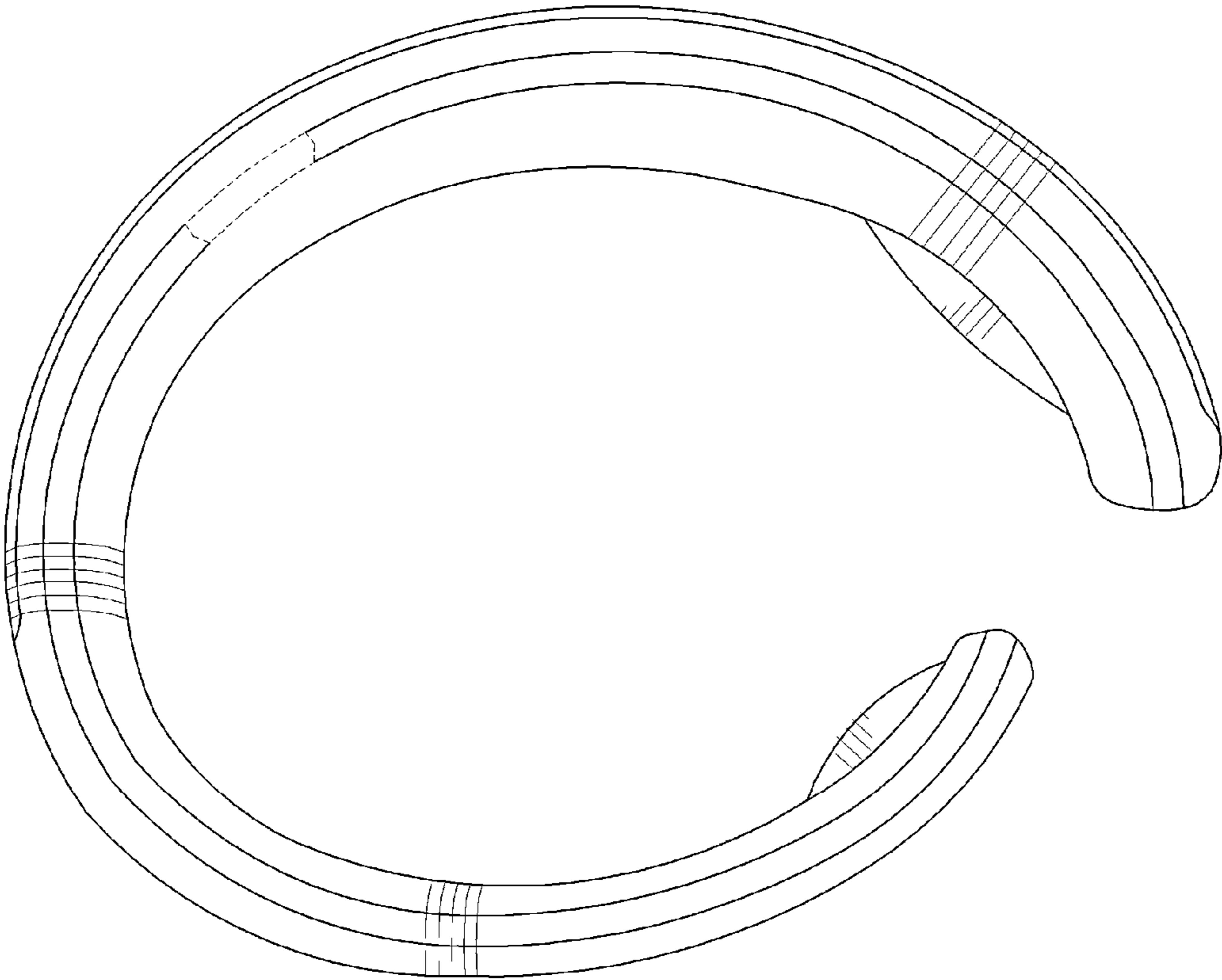


FIG. 6

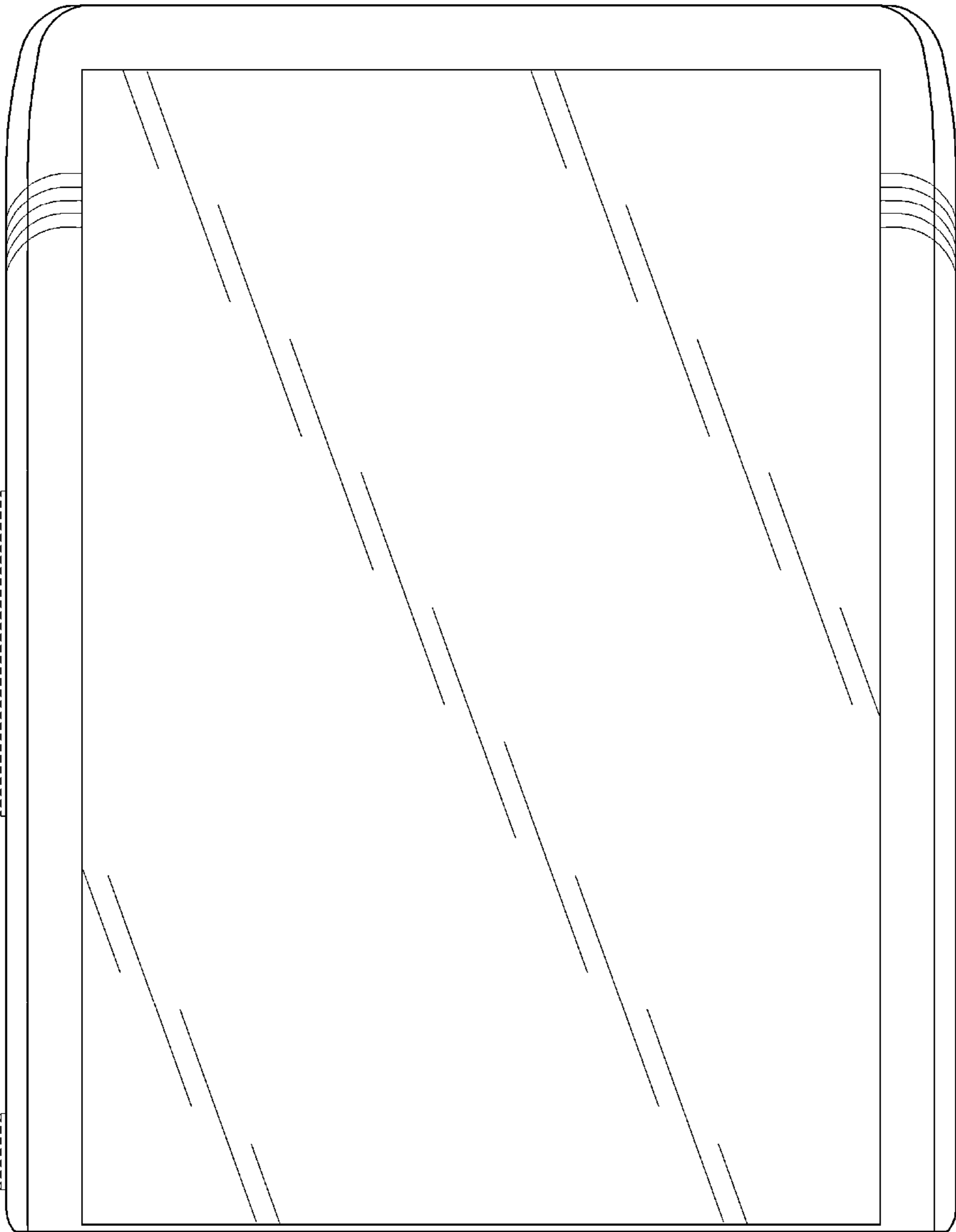


FIG. 7

