



US00D712921S

(12) **United States Design Patent**
Pearson et al.

(10) **Patent No.:** **US D712,921 S**
(45) **Date of Patent:** **** Sep. 9, 2014**

(54) **DISPLAY SCREEN WITH ANIMATED GRAPHICAL USER INTERFACE**

Primary Examiner — Melanie H Tung
(74) *Attorney, Agent, or Firm* — Banner & Witcoff, Ltd.

(75) Inventors: **Mark E. Pearson**, Renton, WA (US);
Robin Winter Troy, Kirkland, WA (US)

(57) **CLAIM**
The ornamental design for a display screen with animated graphical user interface, as shown and described.

(73) Assignee: **Microsoft Corporation**, Redmond, WA (US)

DESCRIPTION

(**) Term: **14 Years**

FIG. 1 is the first image in a sequence for a display screen with animated graphical user interface showing our new design; FIG. 2 is the second image thereof; FIG. 3 is the third image thereof; FIG. 4 is the fourth image thereof; FIG. 5 is the fifth image thereof; FIG. 6 is the sixth image thereof; FIG. 7 is the seventh image thereof; FIG. 8 is the eighth image thereof; FIG. 9 is the ninth image thereof; FIG. 10 is the tenth image thereof; FIG. 11 is the eleventh image thereof; FIG. 12 is the twelfth image thereof; FIG. 13 is the thirteenth image thereof; FIG. 14 is the fourteenth image thereof; FIG. 15 is the fifteenth image thereof; FIG. 16 is the sixteenth image thereof; FIG. 17 is the seventeenth image thereof; FIG. 18 is the eighteenth image thereof; FIG. 19 is the nineteenth image thereof; FIG. 20 is the twentieth image thereof; FIG. 21 is the twenty first image thereof; FIG. 22 is the twenty second image thereof; and FIG. 23 is the twenty third image thereof. FIG. 24 is a front view of a first image in a sequence for a display screen with animated graphical user interface showing a second embodiment thereof; FIG. 25 is the second image thereof; FIG. 26 is the third image thereof; FIG. 27 is the fourth image thereof; FIG. 28 is the fifth image thereof; FIG. 29 is the sixth image thereof; FIG. 30 is the seventh image thereof; FIG. 31 is the eighth image thereof; FIG. 32 is the ninth image thereof;

(21) Appl. No.: **29/412,966**

(22) Filed: **Feb. 9, 2012**

(51) **LOC (10) Cl.** **14-04**

(52) **U.S. Cl.**
USPC **D14/488**

(58) **Field of Classification Search**
CPC G06F 3/048-3/04897
USPC D14/485-95; D18/24-33; D19/6, 52;
D20/11; D21/324-33; 715/700-867,
715/973-77

See application file for complete search history.

(56) **References Cited**

U.S. PATENT DOCUMENTS

D501,212 S	1/2005	Lam et al.	
D539,302 S *	3/2007	Lam et al.	D14/485
D544,874 S *	6/2007	Evans et al.	D14/486
D570,361 S *	6/2008	Lam et al.	D14/486
D570,362 S *	6/2008	Lam et al.	D14/486
D574,391 S *	8/2008	Kwag	D14/486
7,594,190 B2 *	9/2009	Kang et al.	715/822
D612,861 S *	3/2010	Lee	D14/485
D622,281 S	8/2010	Maitlen et al.	
D658,203 S *	4/2012	Hally et al.	D14/488
D667,422 S *	9/2012	Elliott	D14/488
D667,423 S *	9/2012	Nagamine	D14/488
D697,931 S *	1/2014	Lee et al.	D14/486
D697,932 S *	1/2014	Lee et al.	D14/486
D697,935 S *	1/2014	Lee et al.	D14/486
D697,939 S *	1/2014	Lee et al.	D14/486
2010/0088594 A1 *	4/2010	Kim et al.	715/274

* cited by examiner

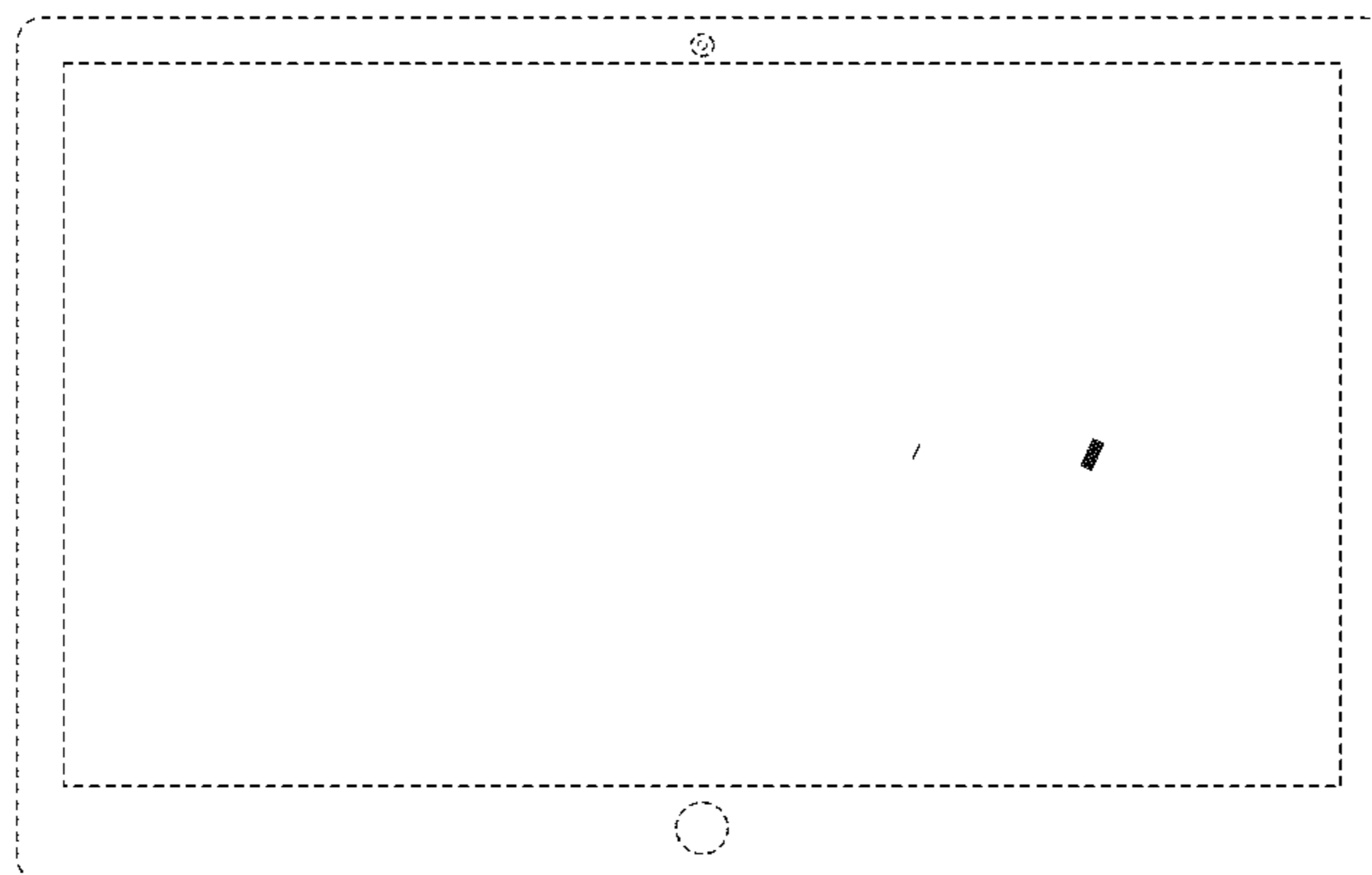


FIG. 33 is the tenth image thereof;
FIG. 34 is the eleventh image thereof;
FIG. 35 is the twelfth image thereof;
FIG. 36 is the thirteenth image thereof;
FIG. 37 is the fourteenth image thereof;
FIG. 38 is the fifteenth image thereof;
FIG. 39 is the sixteenth image thereof;
FIG. 40 is the seventeenth image thereof;
FIG. 41 is the eighteenth image thereof;
FIG. 42 is the nineteenth image thereof;
FIG. 43 is the twentieth image thereof;
FIG. 44 is the twenty first image thereof;
FIG. 45 is the twenty second image thereof; and
FIG. 46 is the twenty third image thereof.
FIG. 47 is a front view of a first image in a sequence for a display screen with animated graphical user interface showing a third embodiment thereof;
FIG. 48 is the second image thereof;
FIG. 49 is the third image thereof;
FIG. 50 is the fourth image thereof;
FIG. 51 is the fifth image thereof;
FIG. 52 is the sixth image thereof;
FIG. 53 is the seventh image thereof;
FIG. 54 is the eighth image thereof;

FIG. 55 is the ninth image thereof;
FIG. 56 is the tenth image thereof;
FIG. 57 is the eleventh image thereof;
FIG. 58 is the twelfth image thereof;
FIG. 59 is the thirteenth image thereof;
FIG. 60 is the fourteenth image thereof;
FIG. 61 is the fifteenth image thereof;
FIG. 62 is the sixteenth image thereof;
FIG. 63 is the seventeenth image thereof;
FIG. 64 is the eighteenth image thereof;
FIG. 65 is the nineteenth image thereof;
FIG. 66 is the twentieth image thereof;
FIG. 67 is the twenty first image thereof;
FIG. 68 is the twenty second image thereof; and,
FIG. 69 is the twenty third image thereof.
The appearance of the animated graphical user interface sequentially transitions between the images shown in FIGS. 1-23, FIGS. 24-46, and FIGS. 47-69. The process or period in which one image transitions to another forms no part of the claimed design. The broken line showing of the display screen is for environmental purposes only and forms no part of the claimed design.

1 Claim, 69 Drawing Sheets

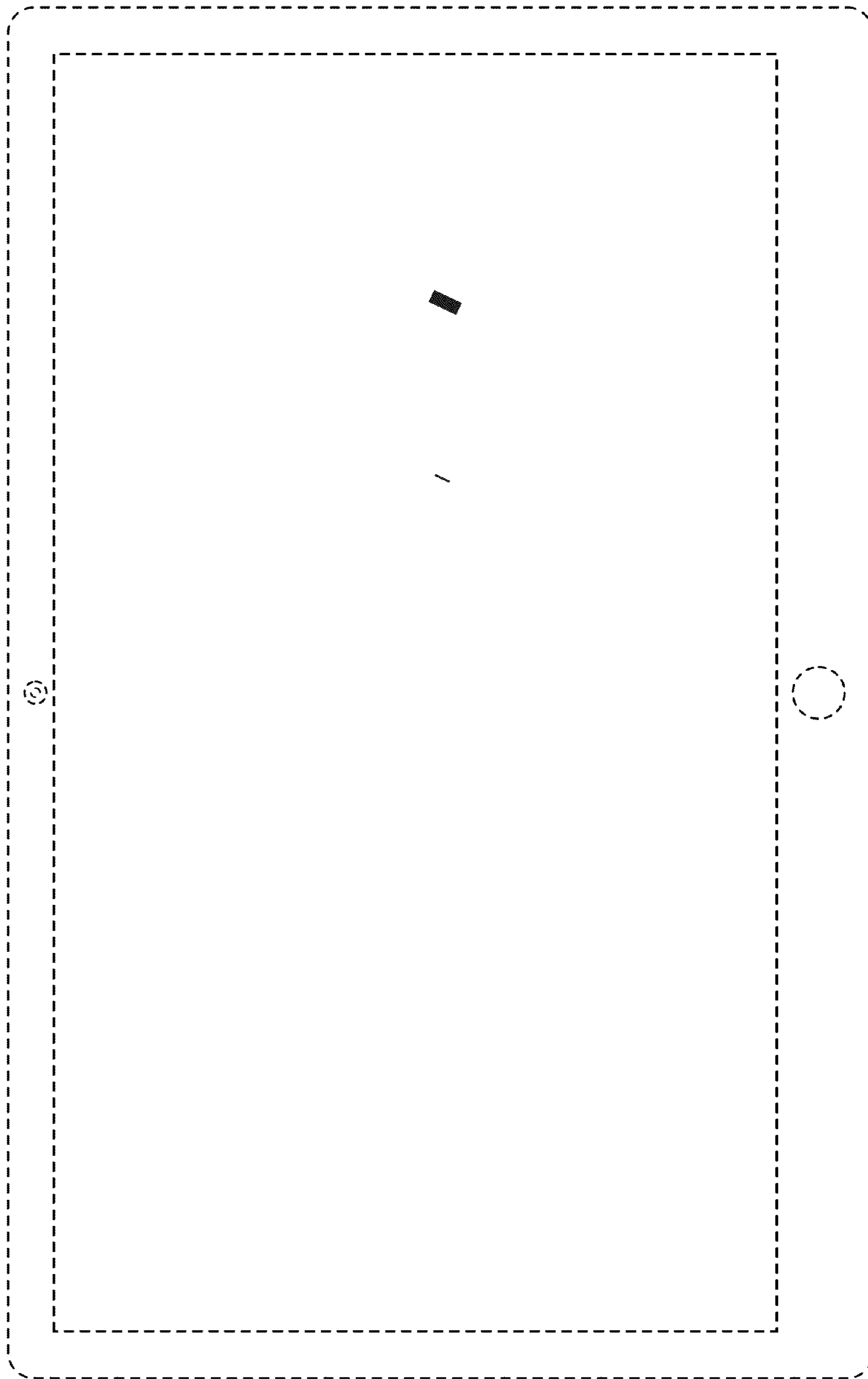


FIG. 1

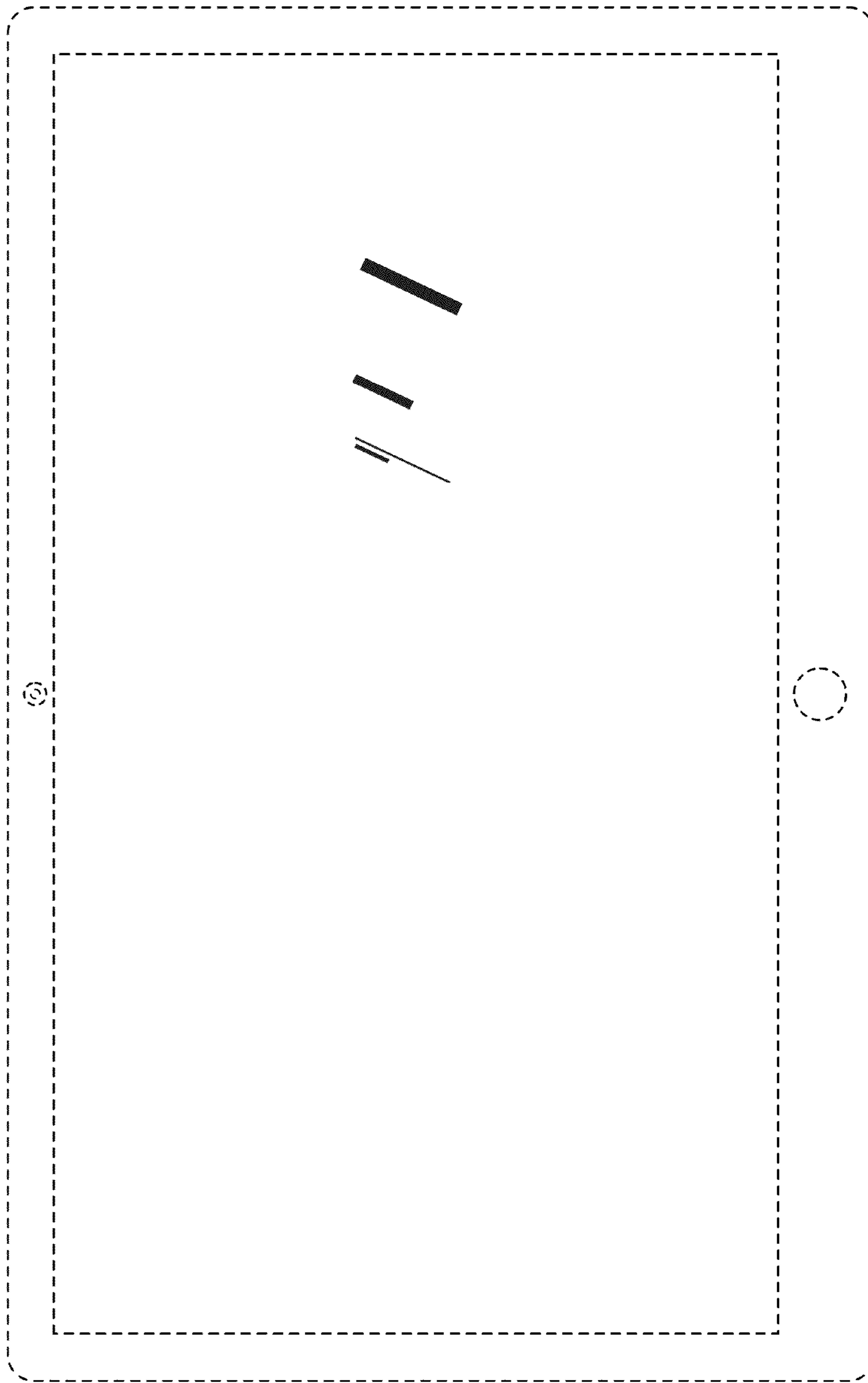


FIG. 2

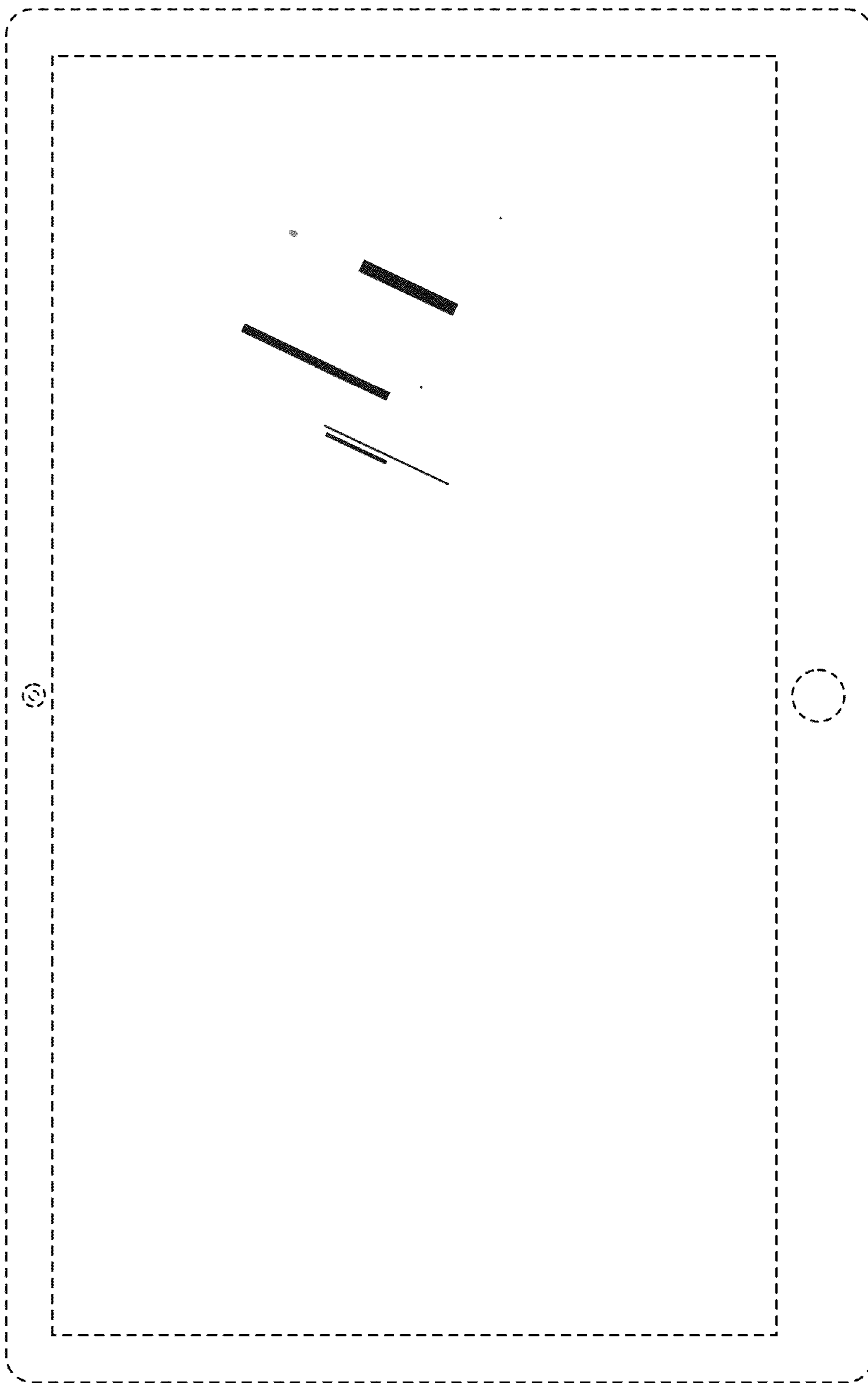


FIG. 3

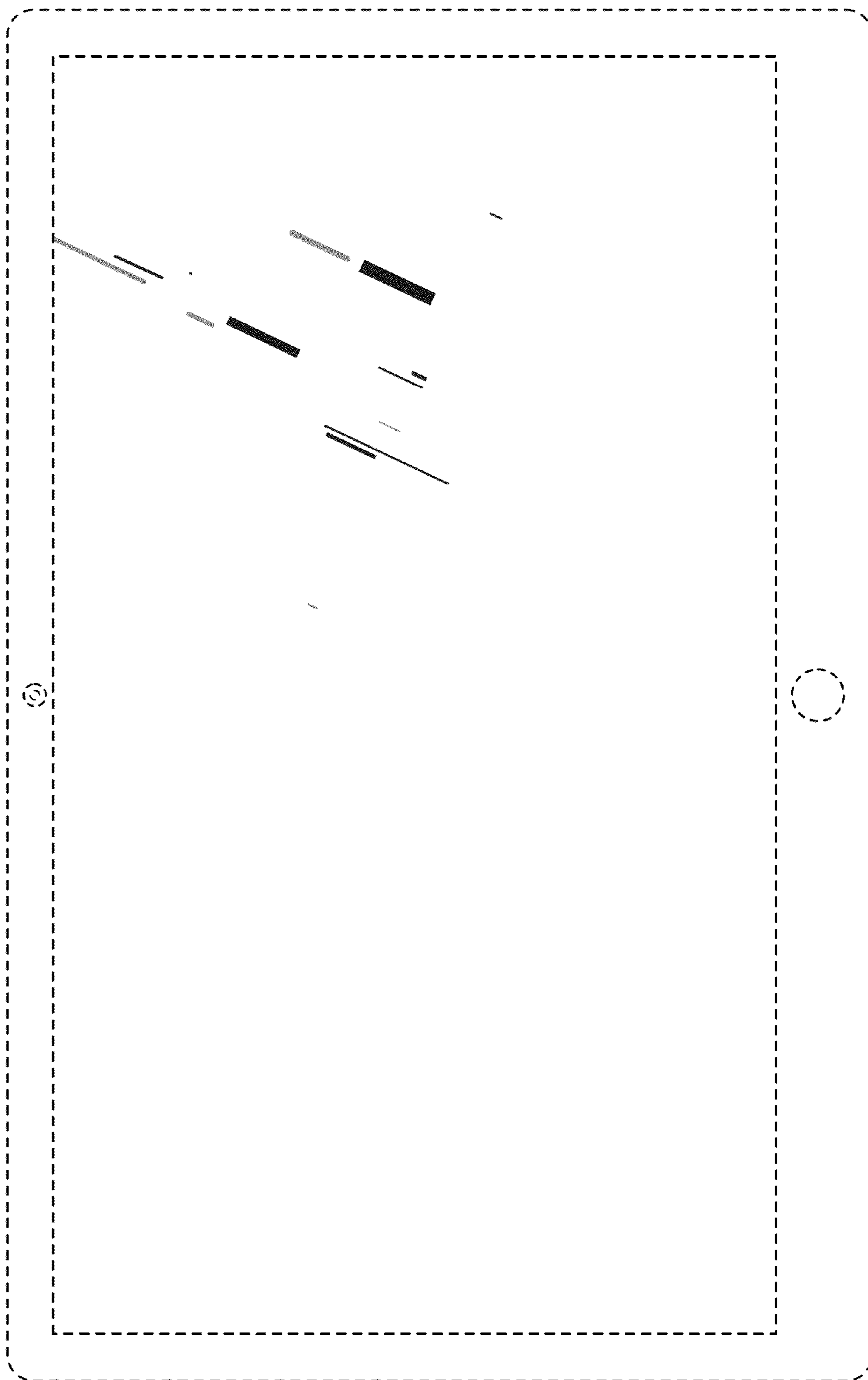
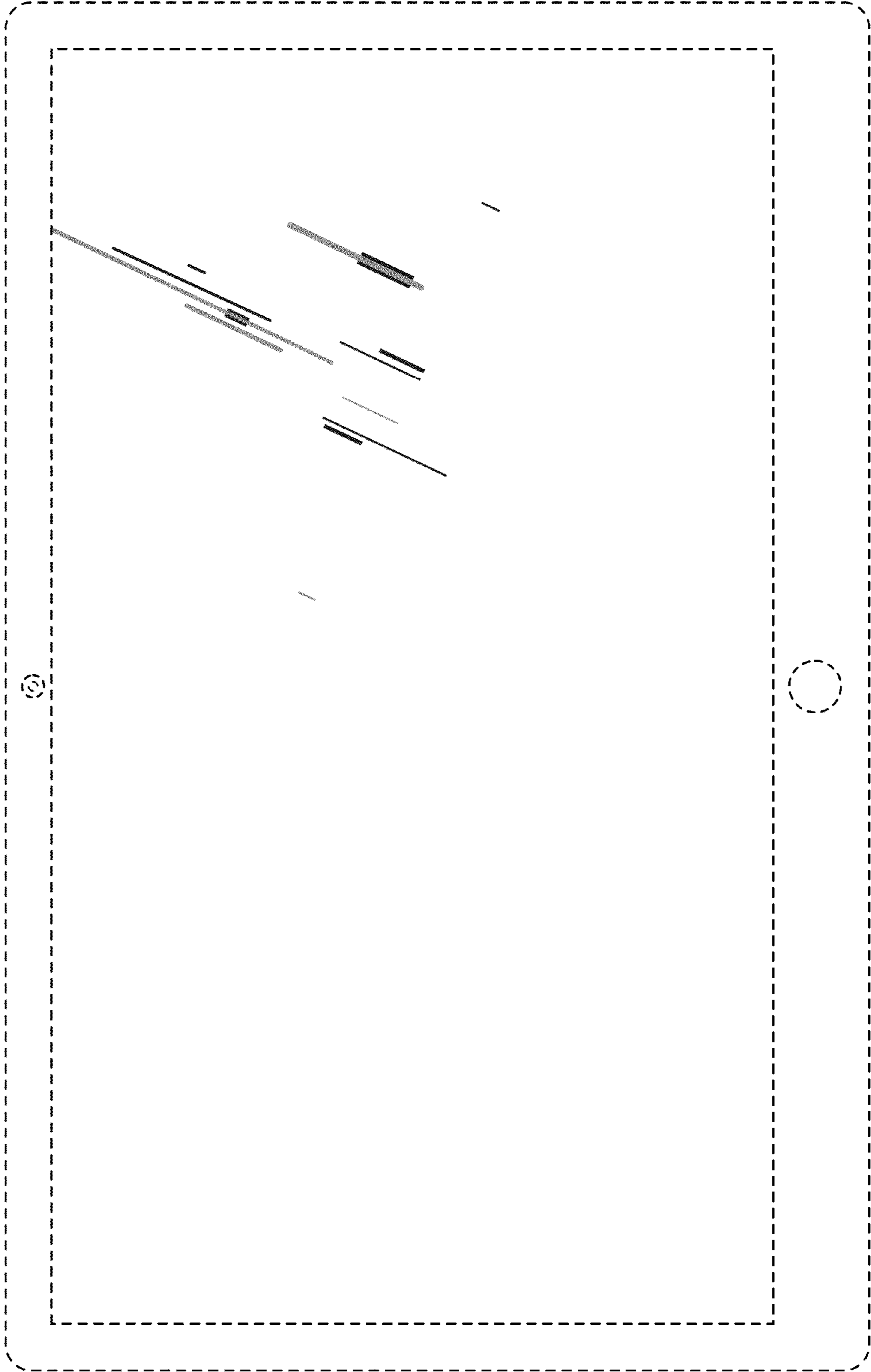


FIG. 4



©

○

FIG. 5

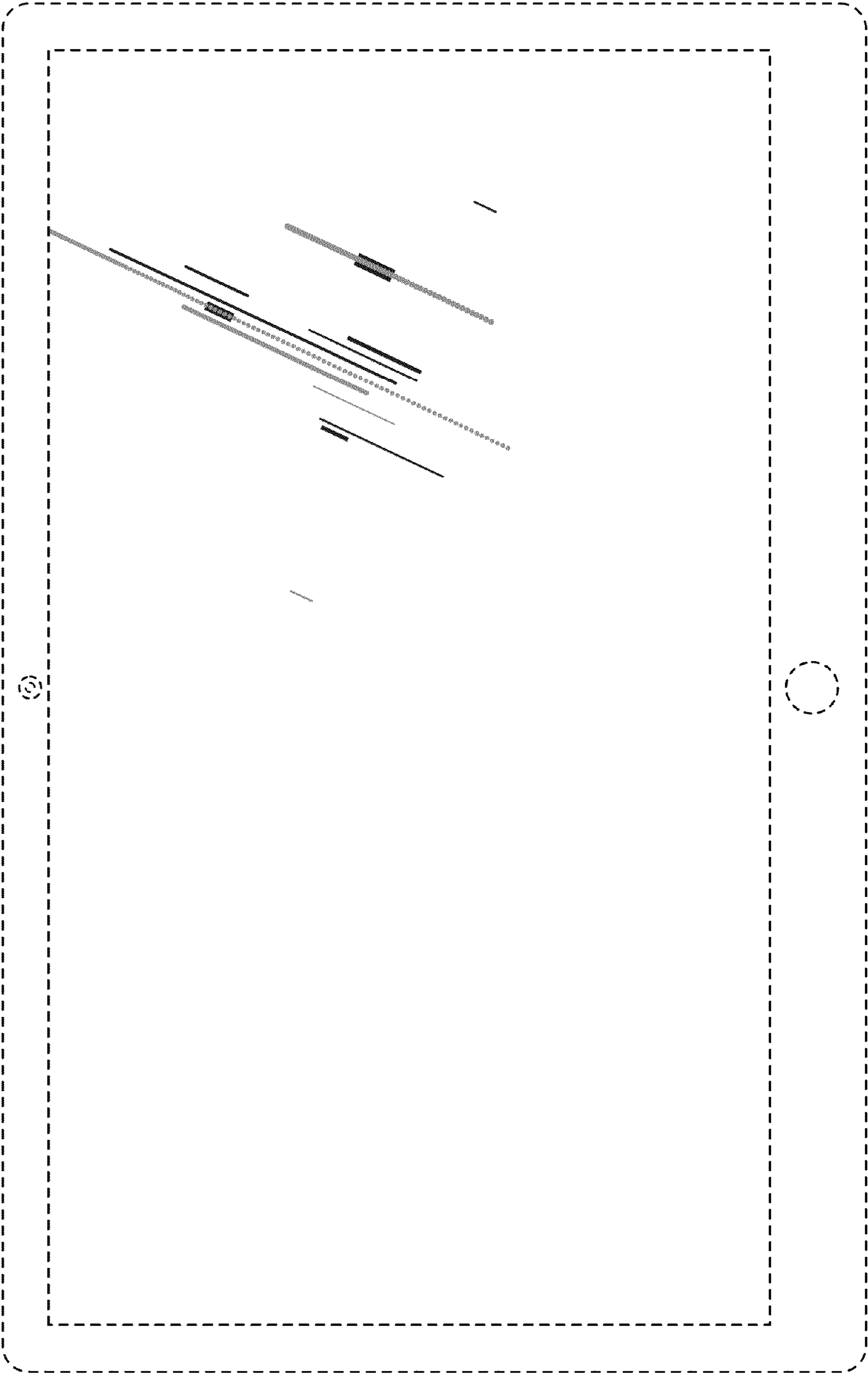


FIG. 6

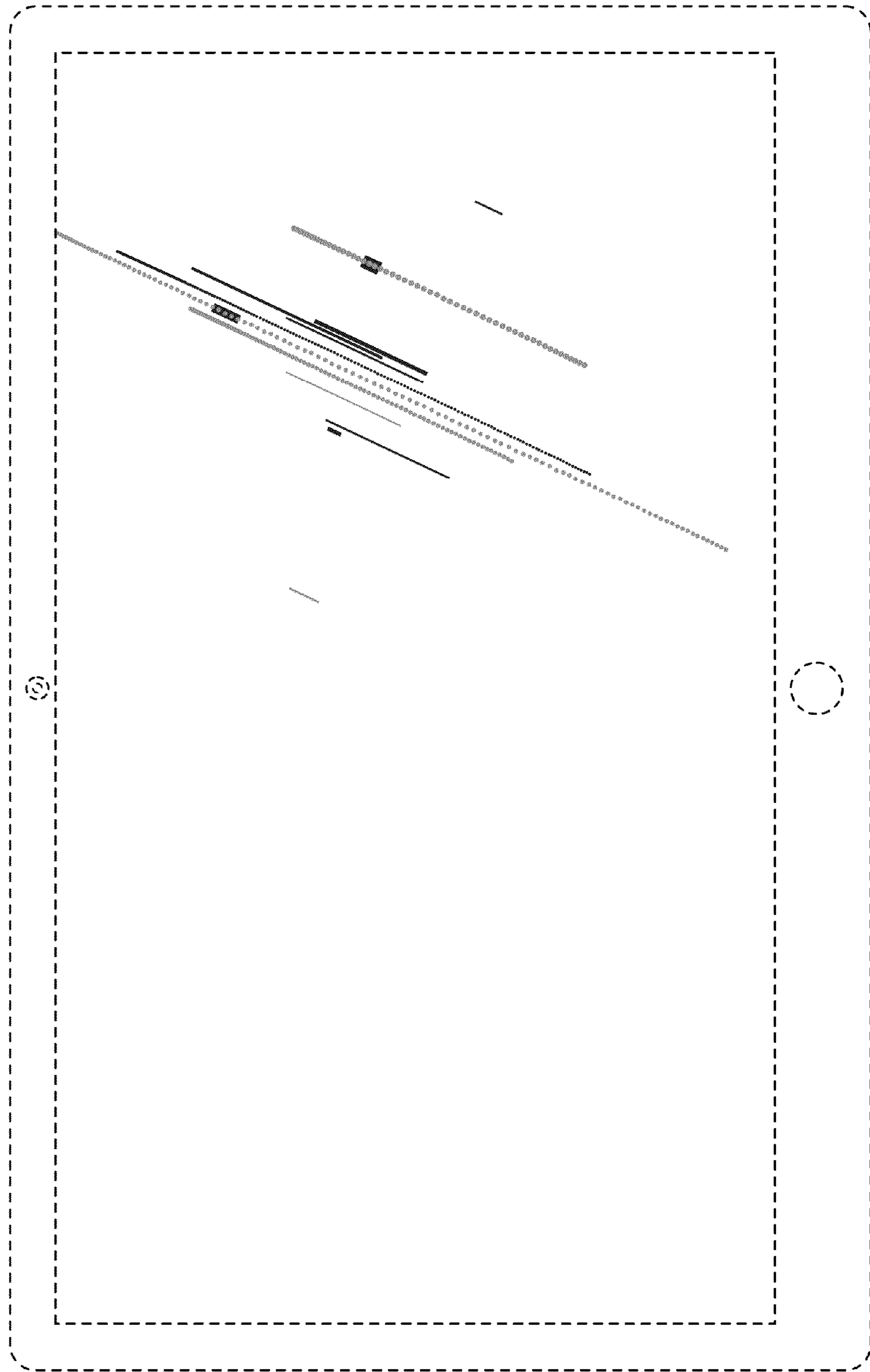


FIG. 7

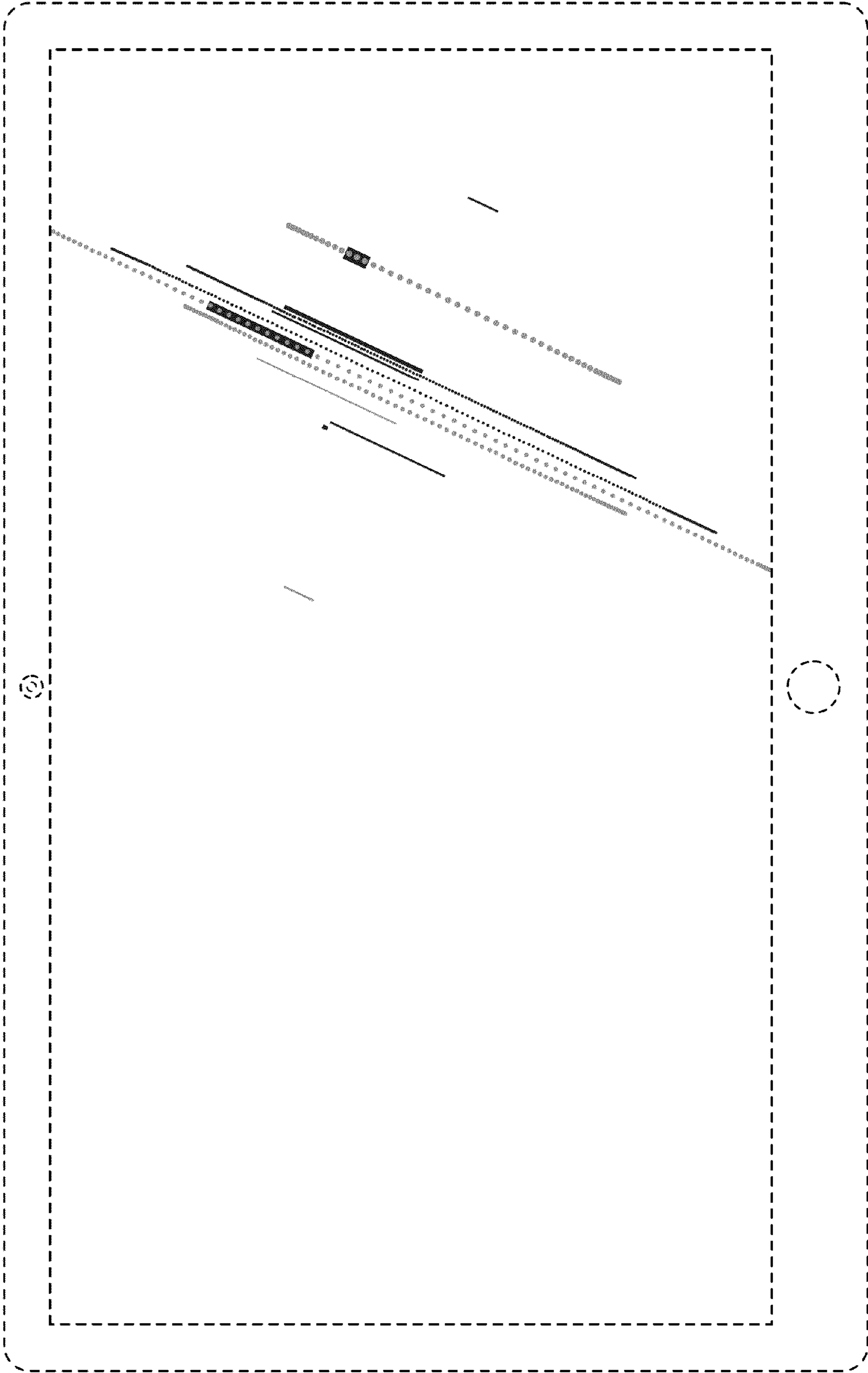


FIG. 8

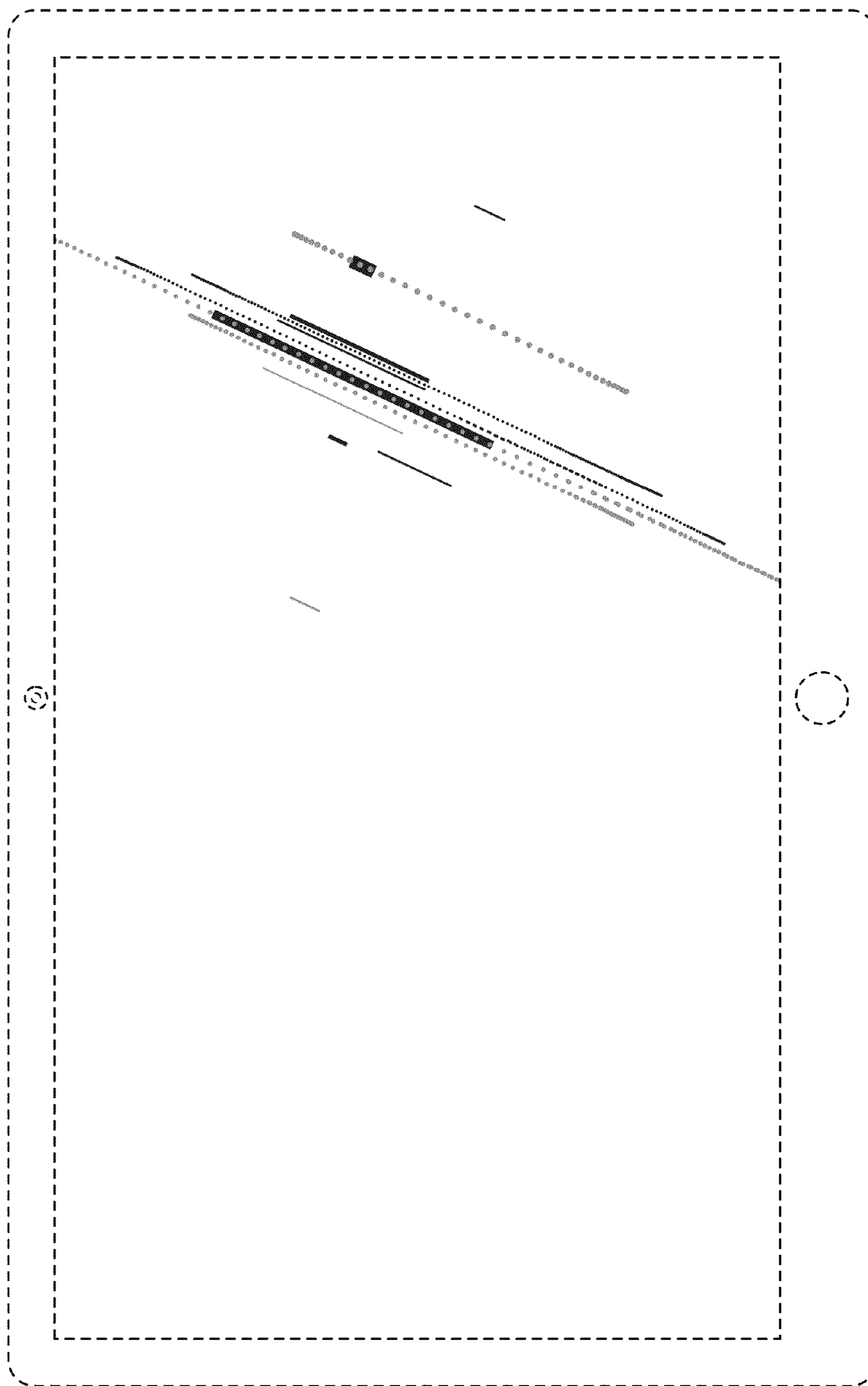


FIG. 9

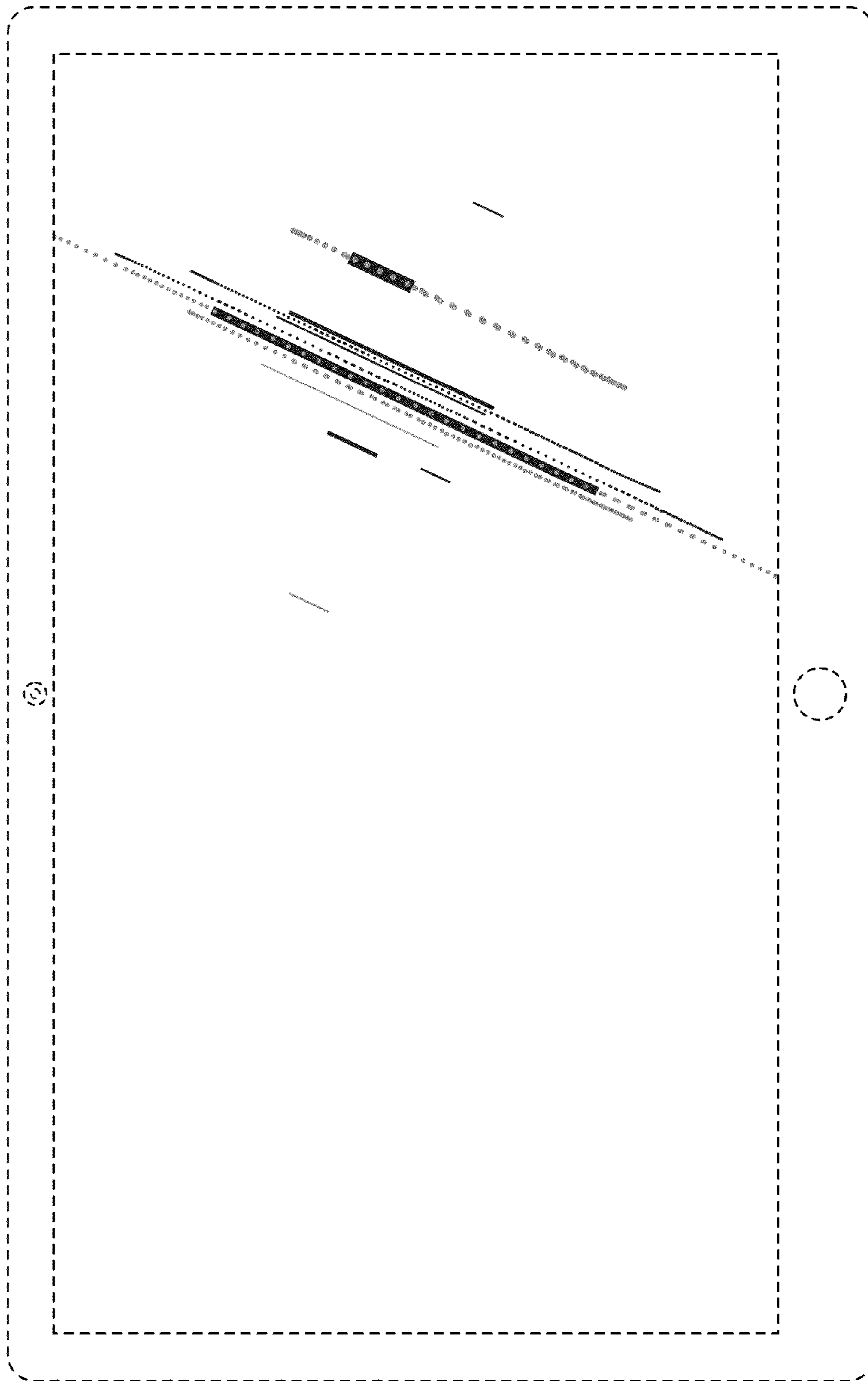


FIG. 10

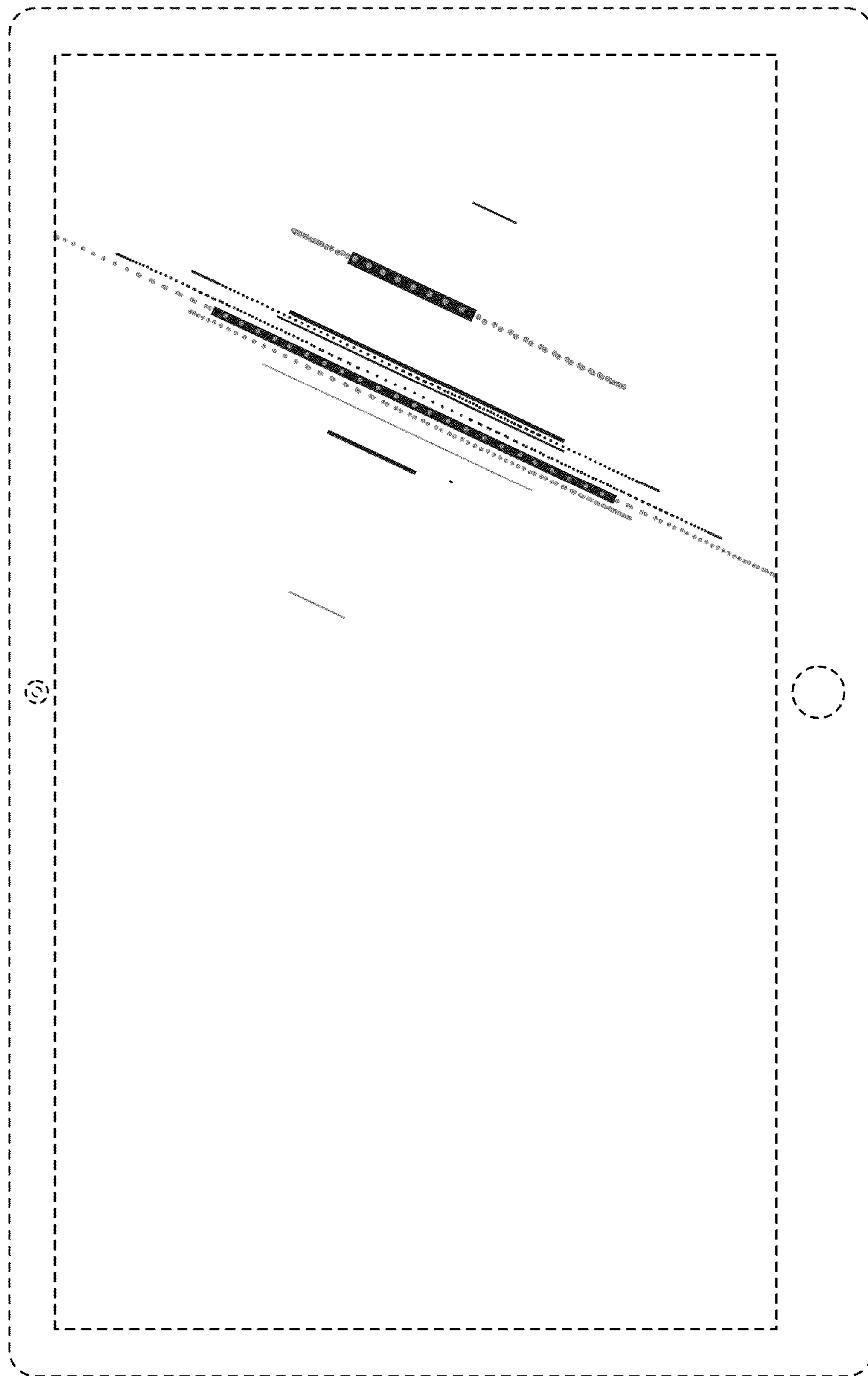


FIG. 11

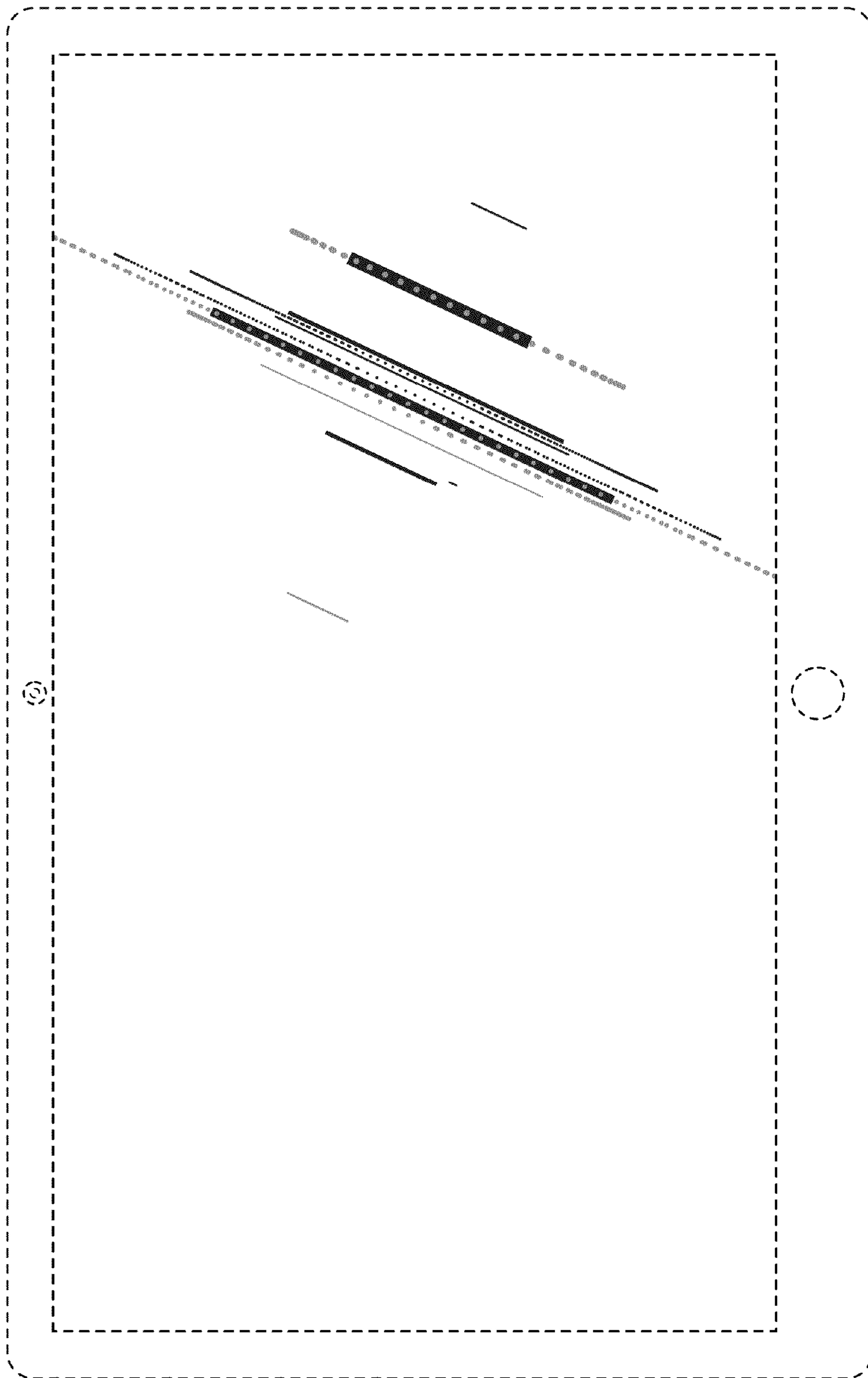


FIG. 12

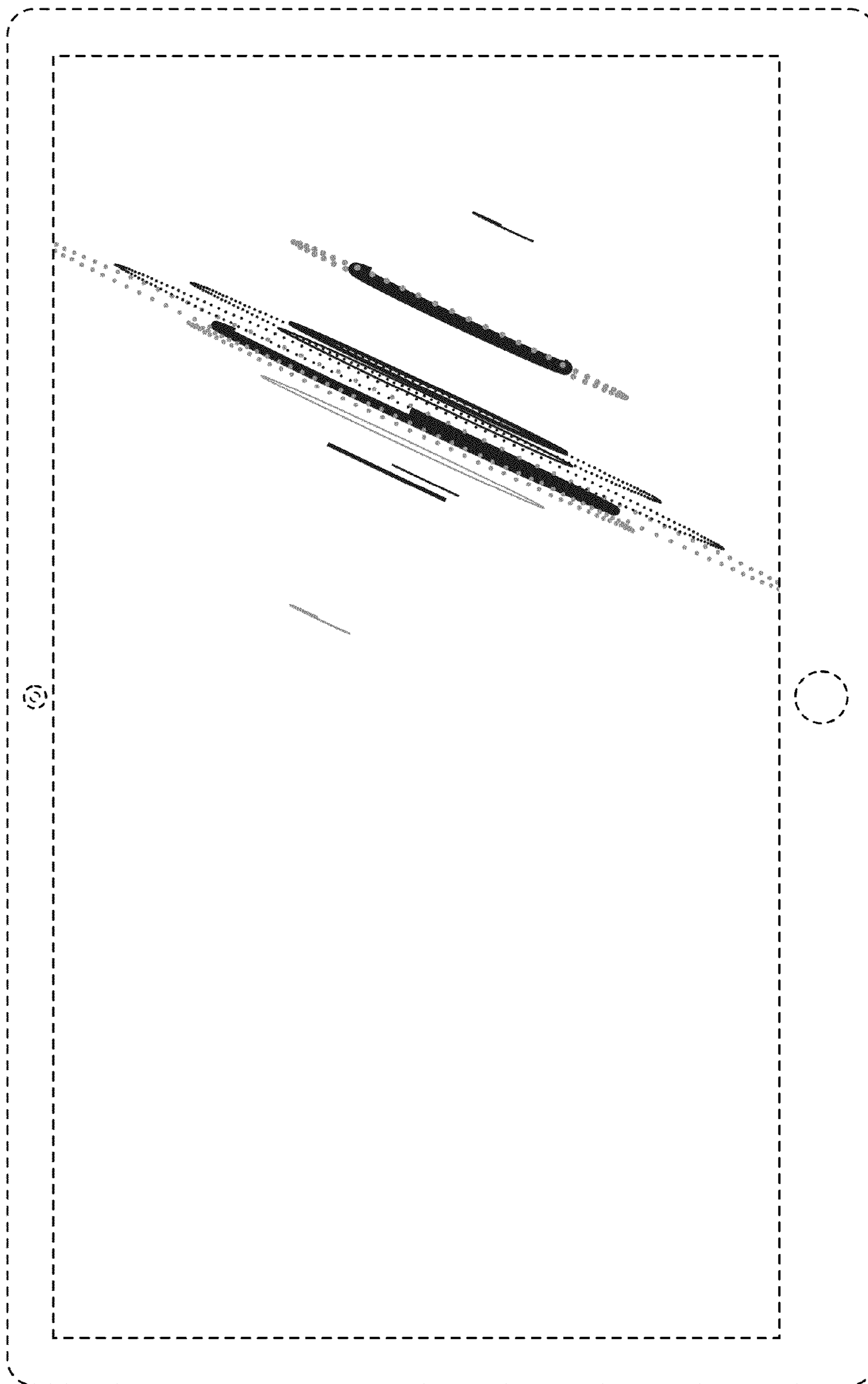


FIG. 13

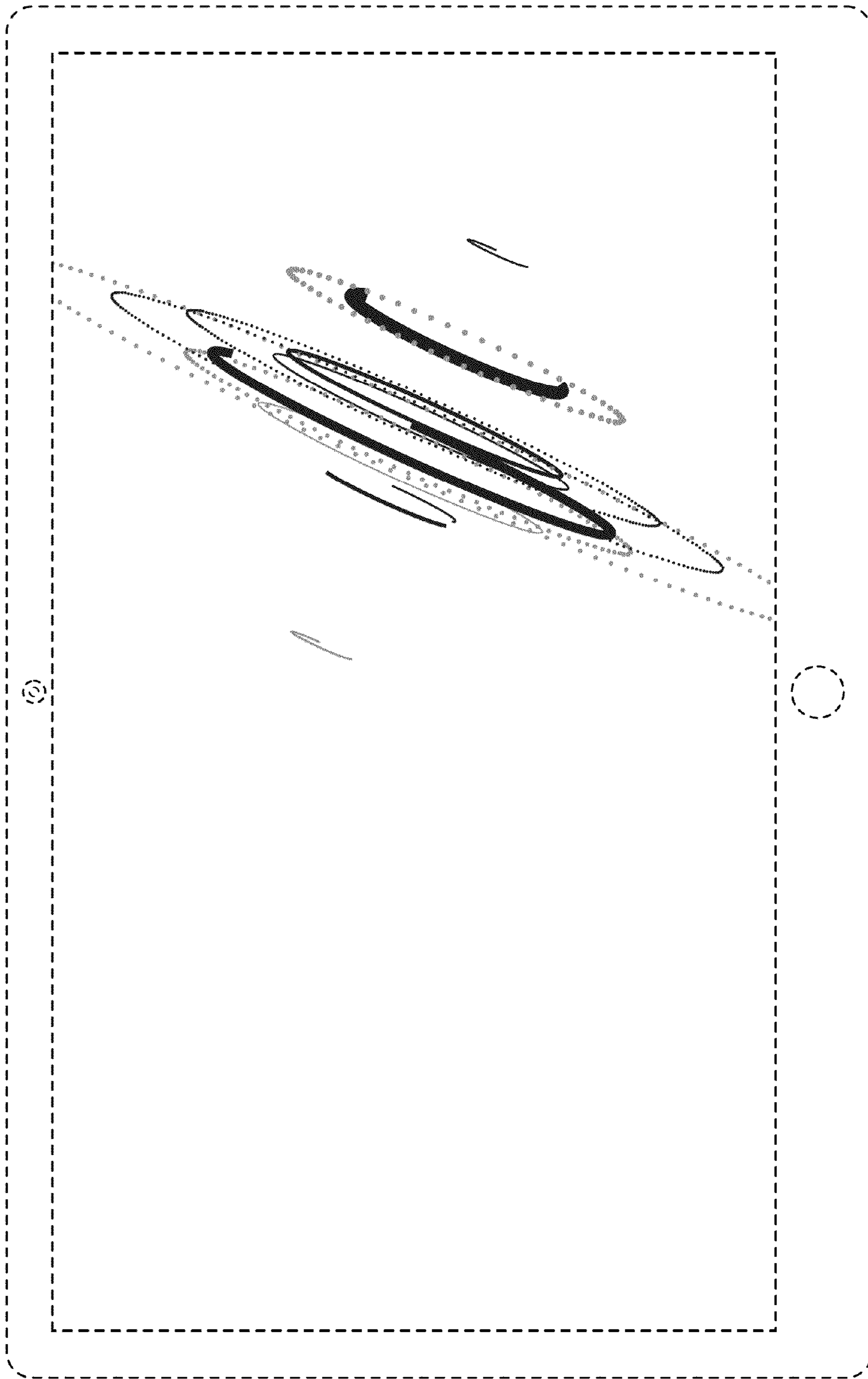


FIG. 14

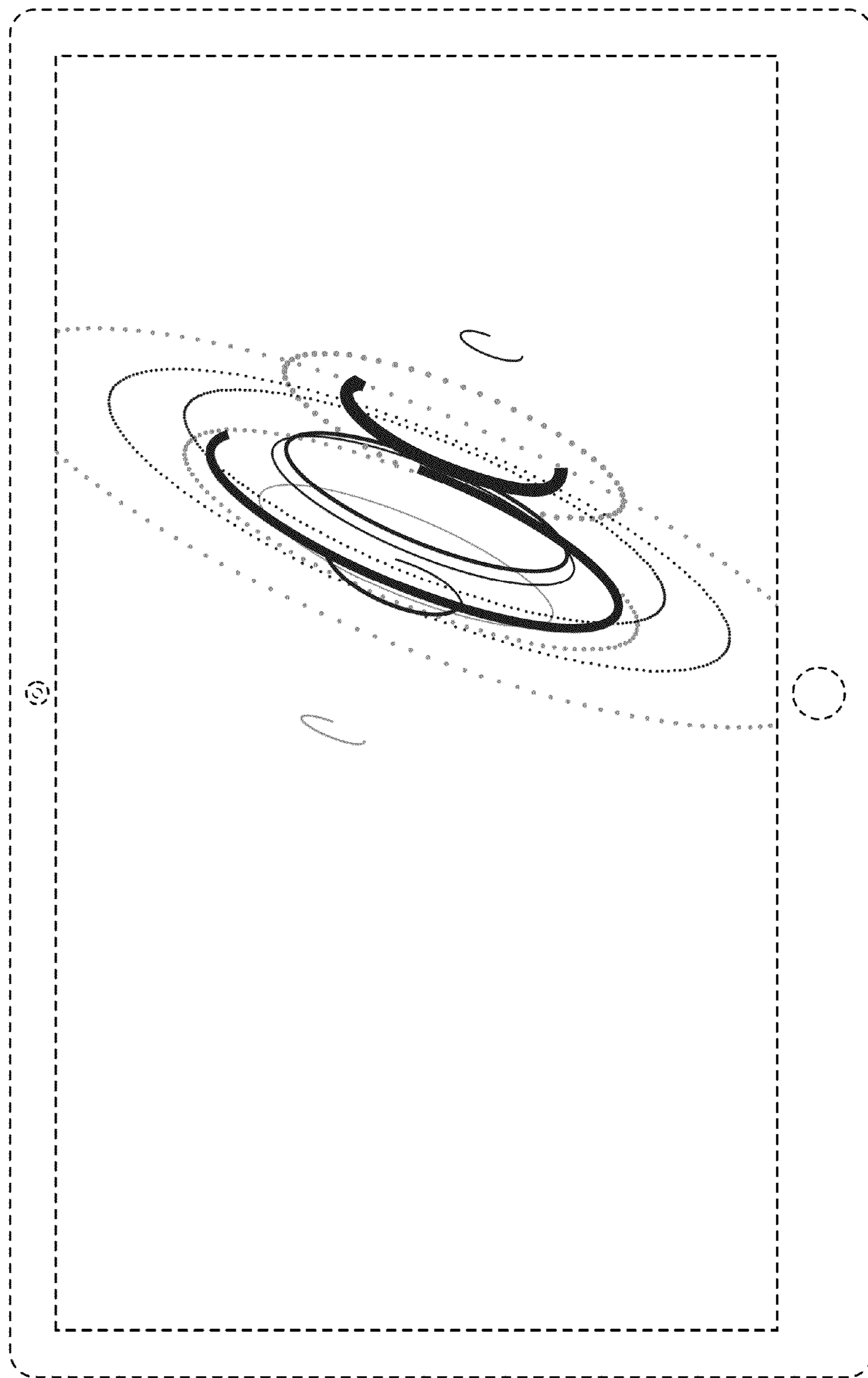


FIG. 15

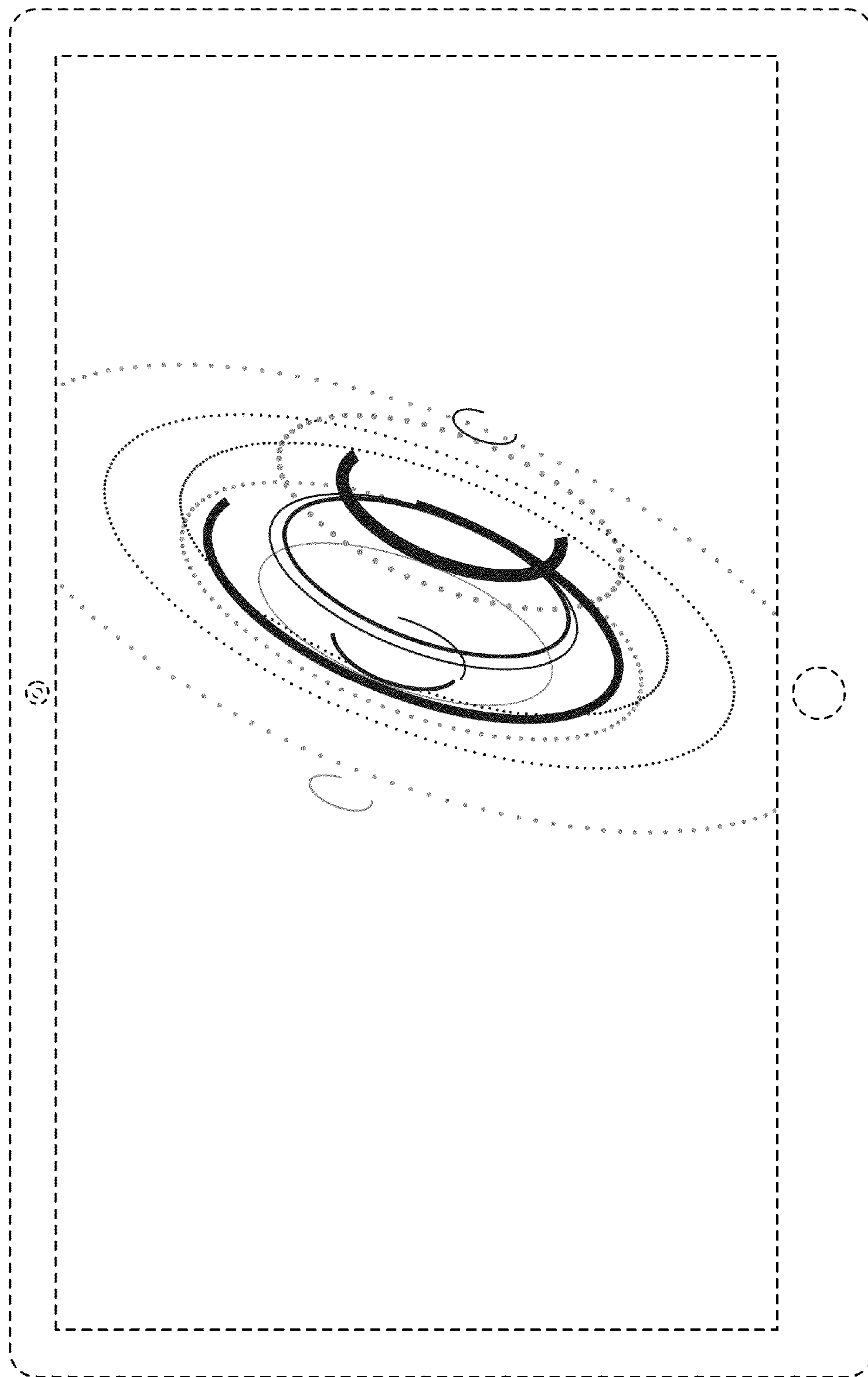


FIG. 16

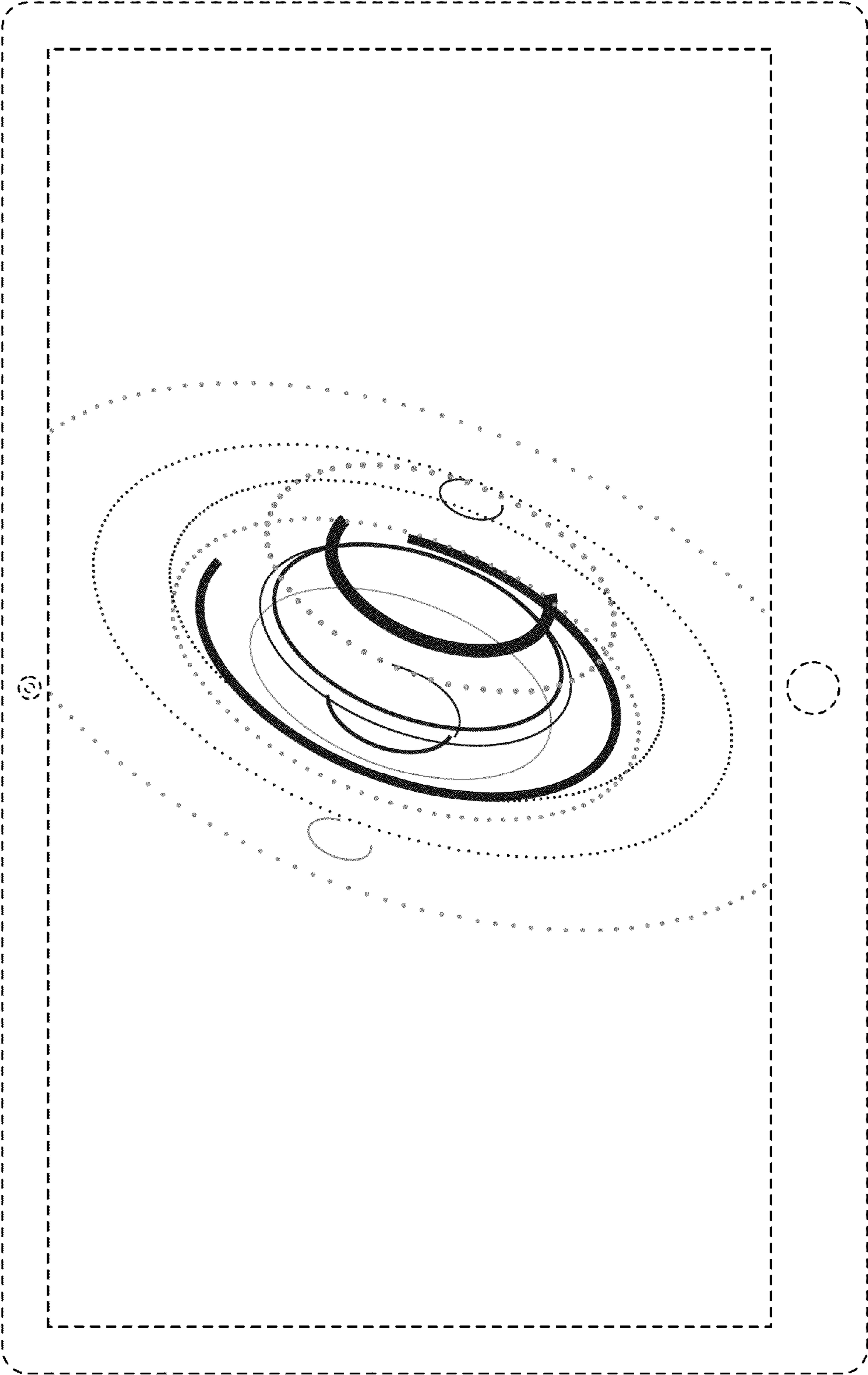


FIG. 17

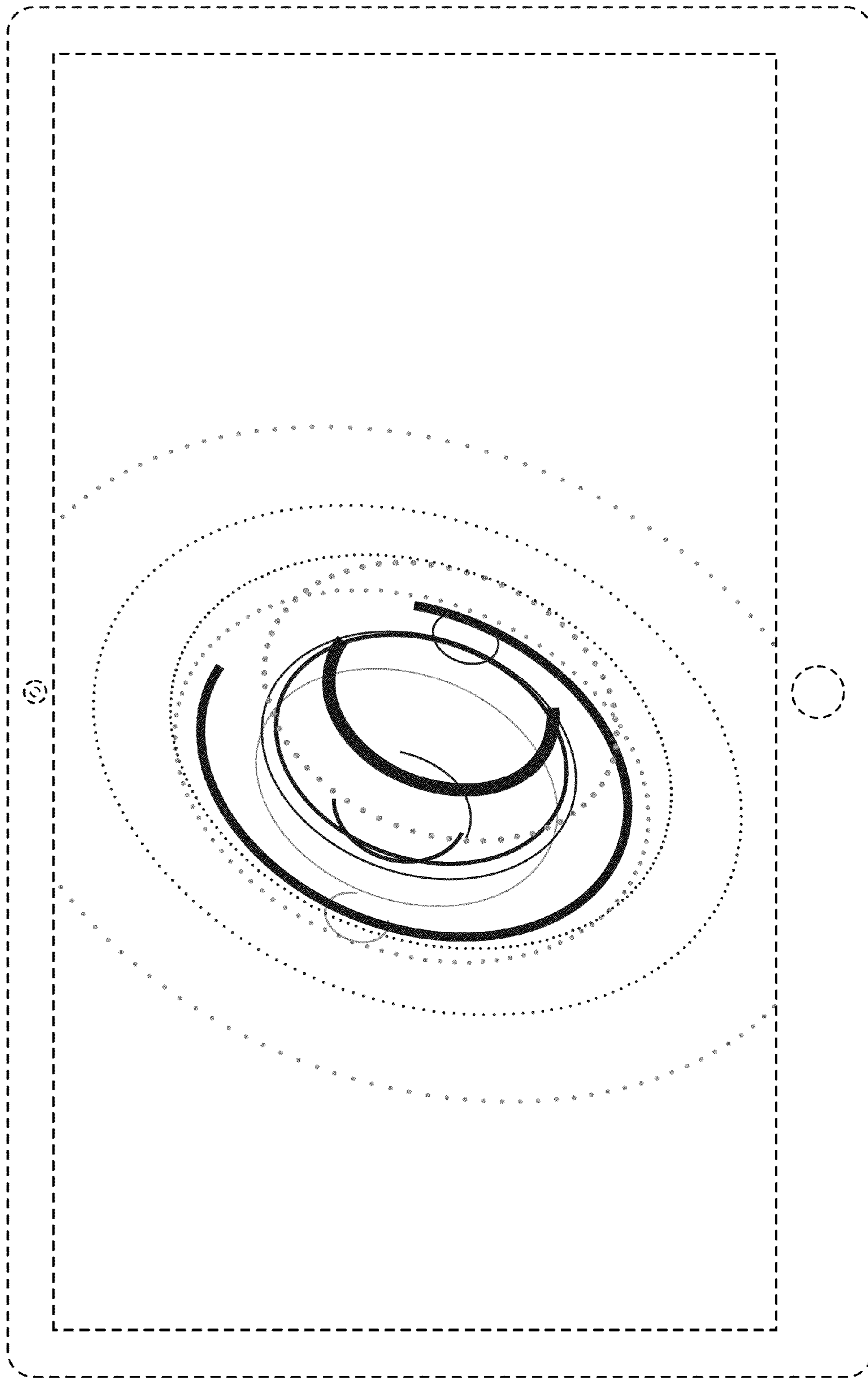


FIG. 18

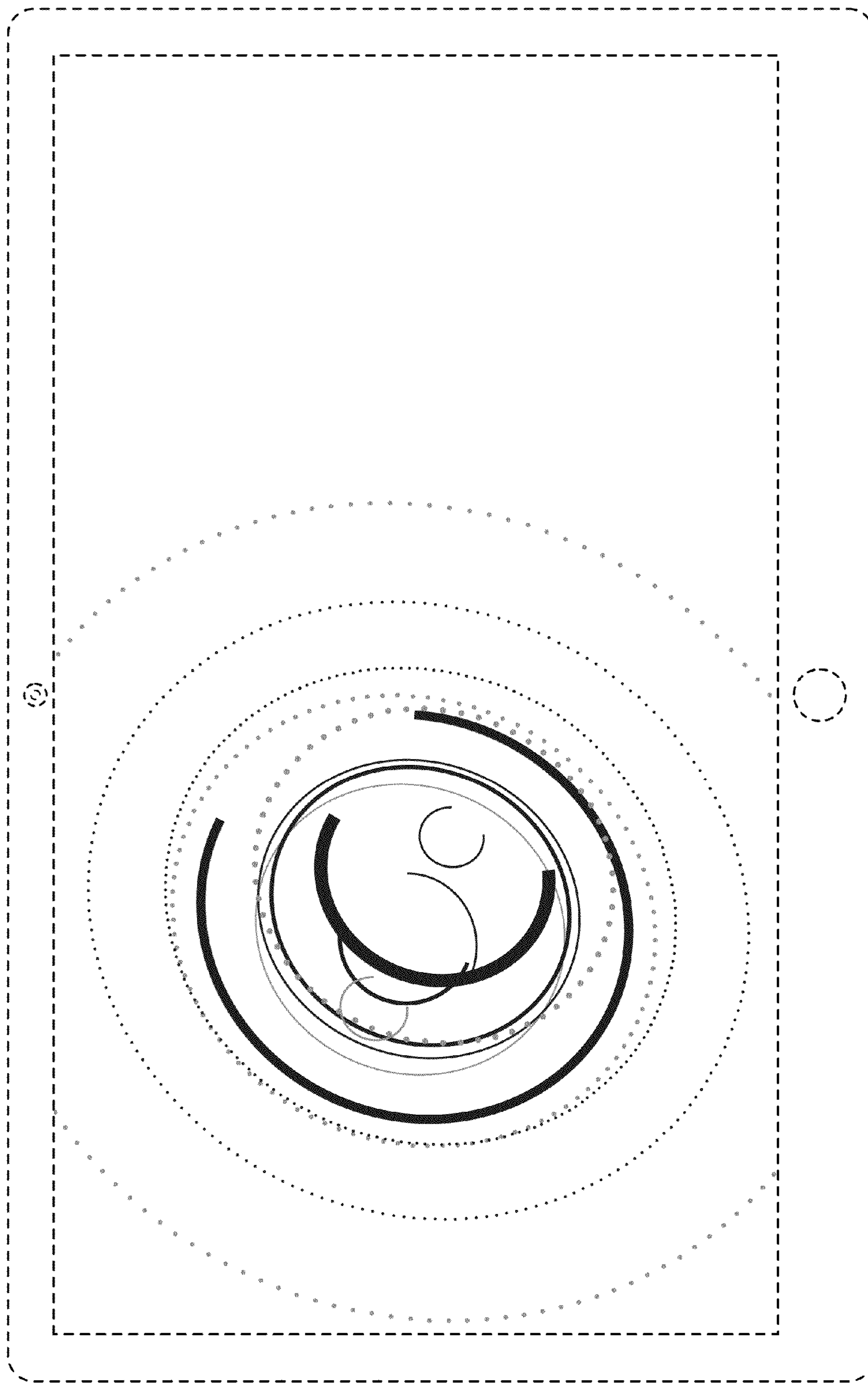


FIG. 19

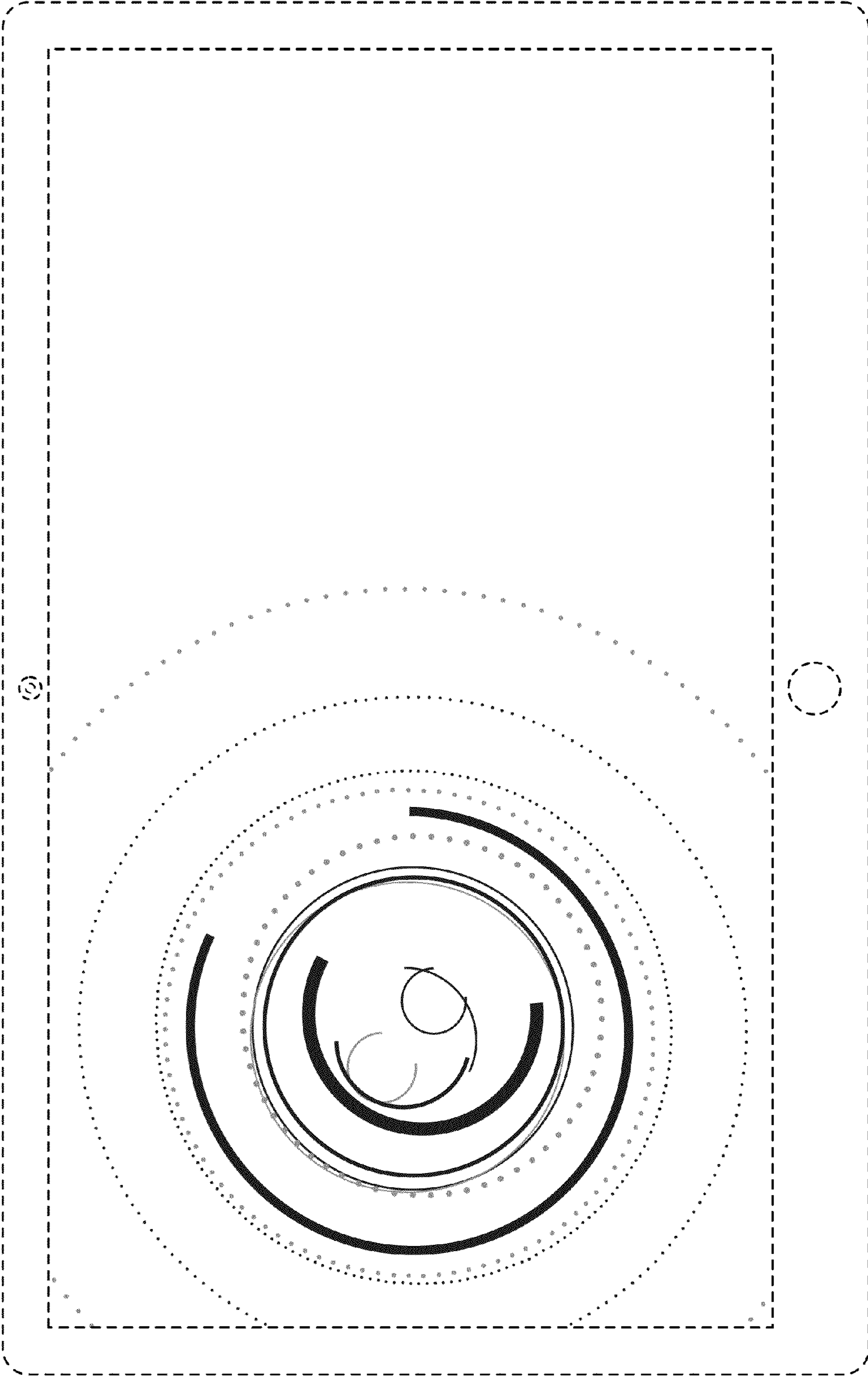


FIG. 20

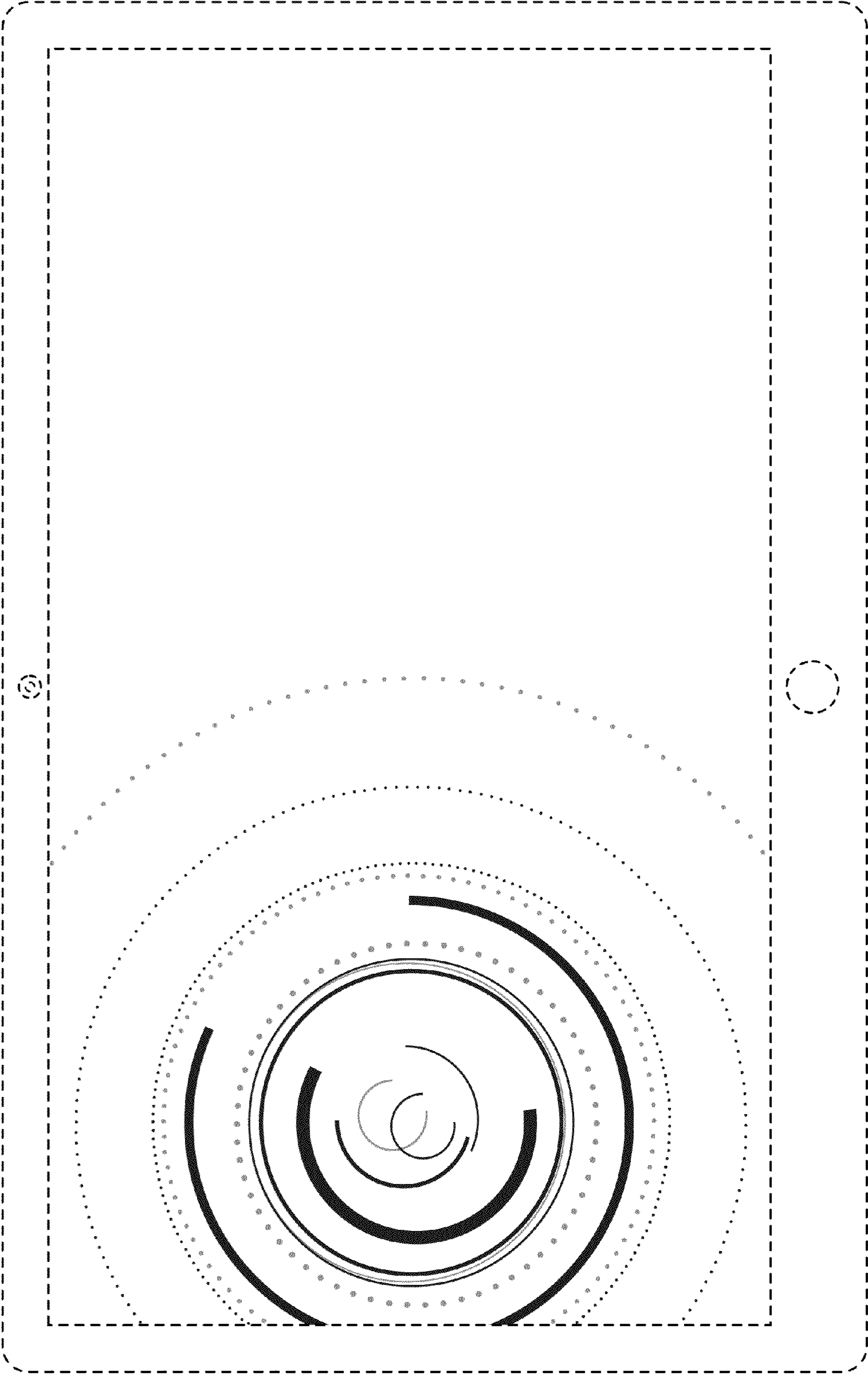


FIG. 21

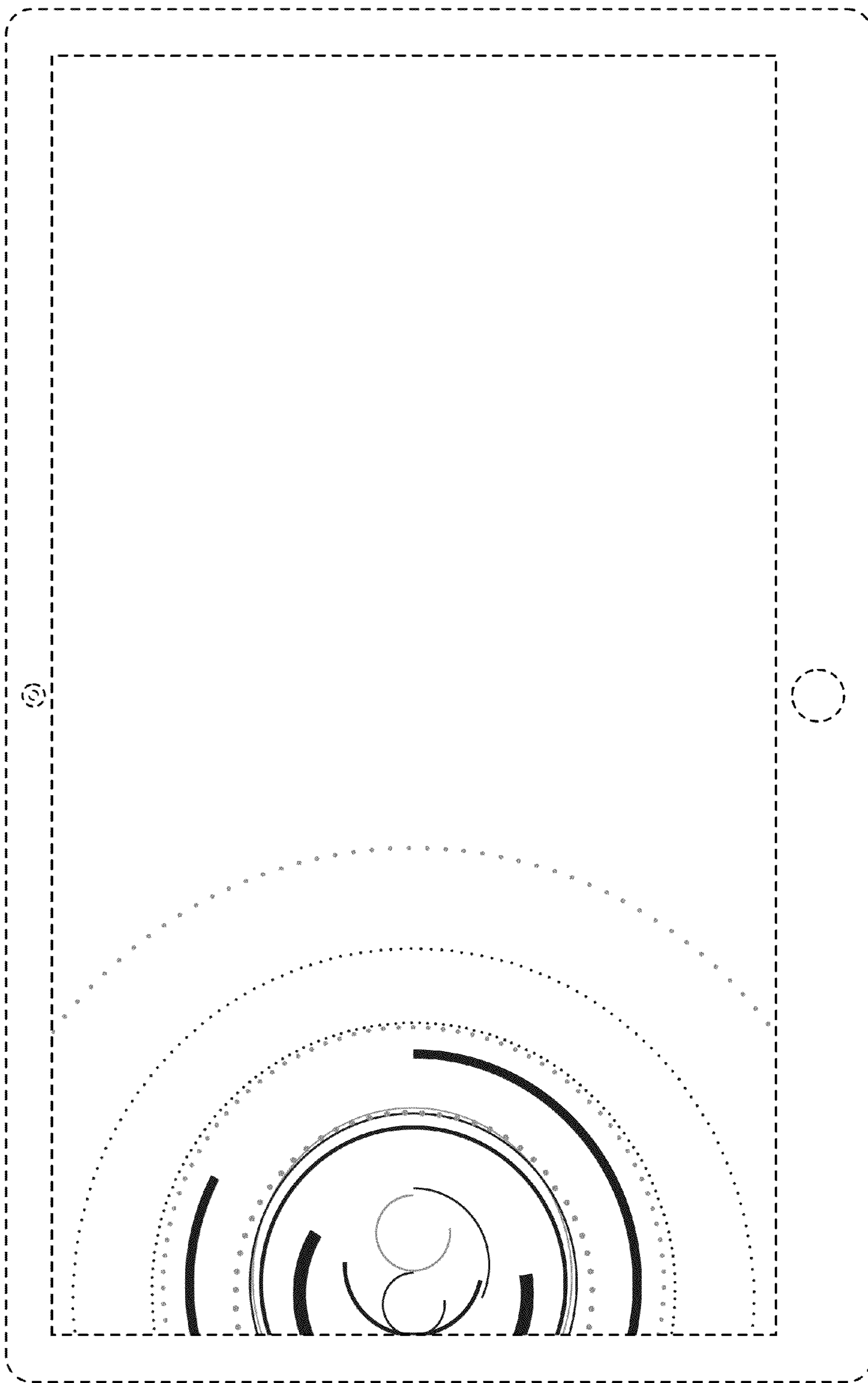


FIG. 22

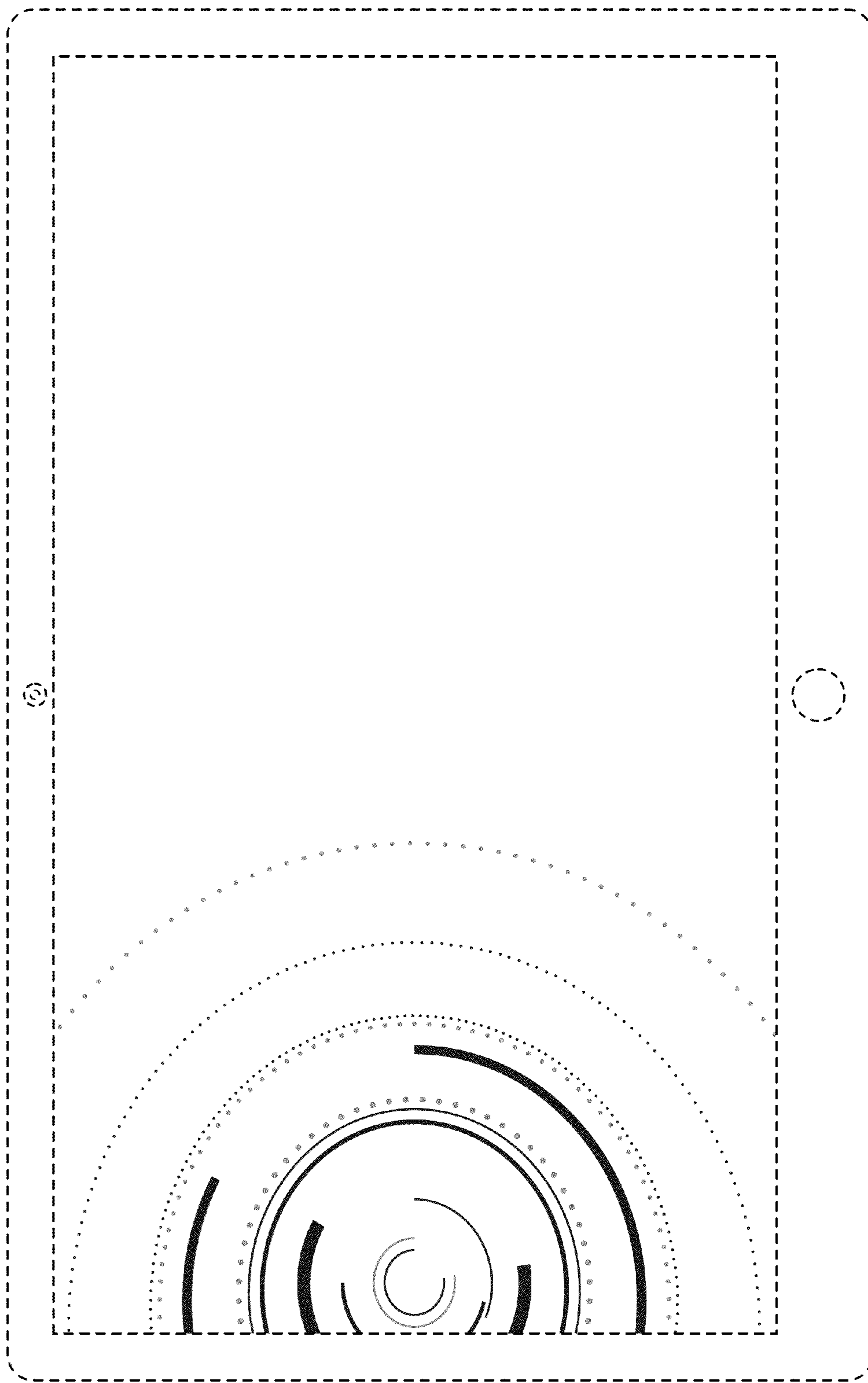


FIG. 23

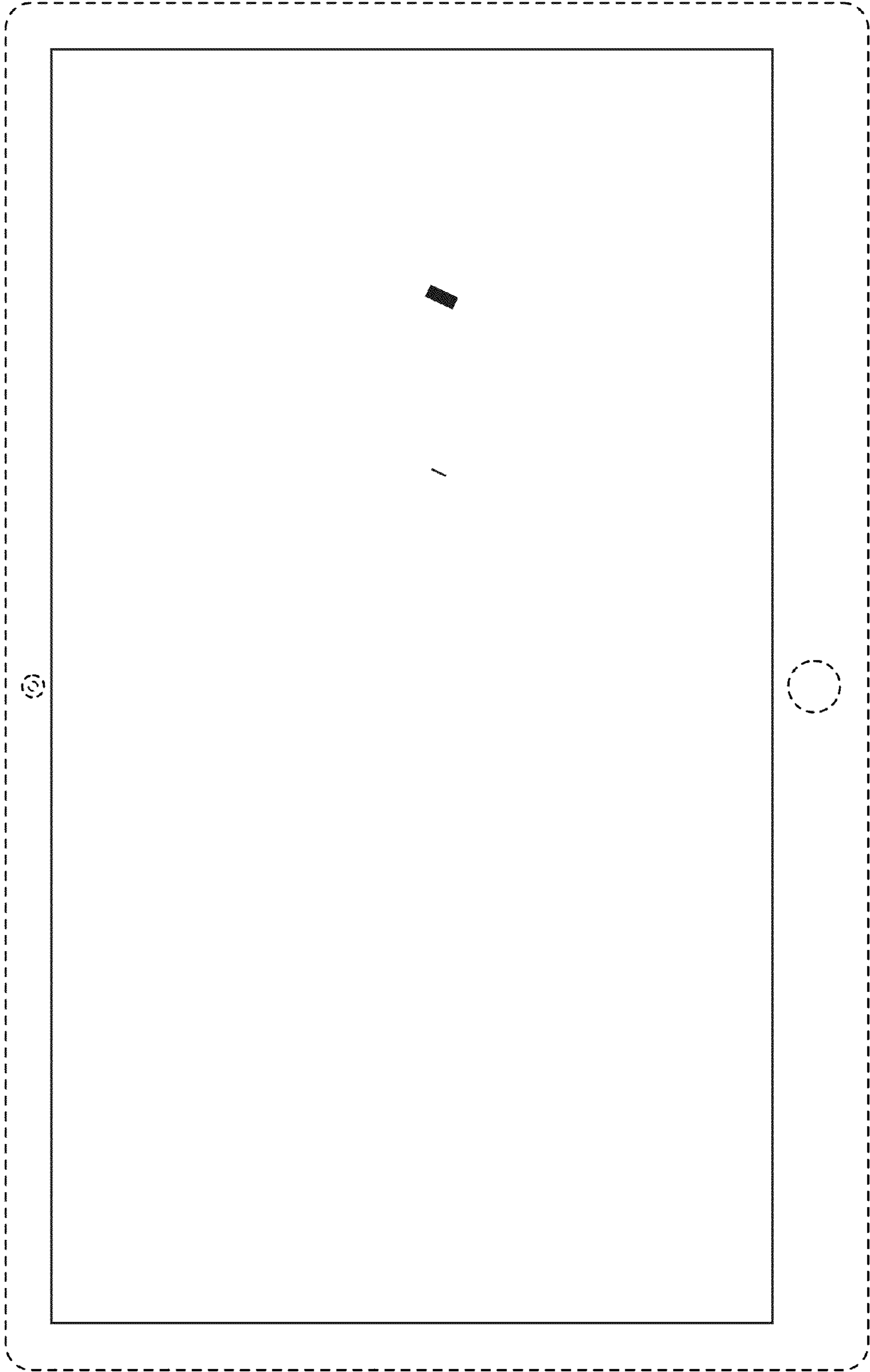


FIG. 24

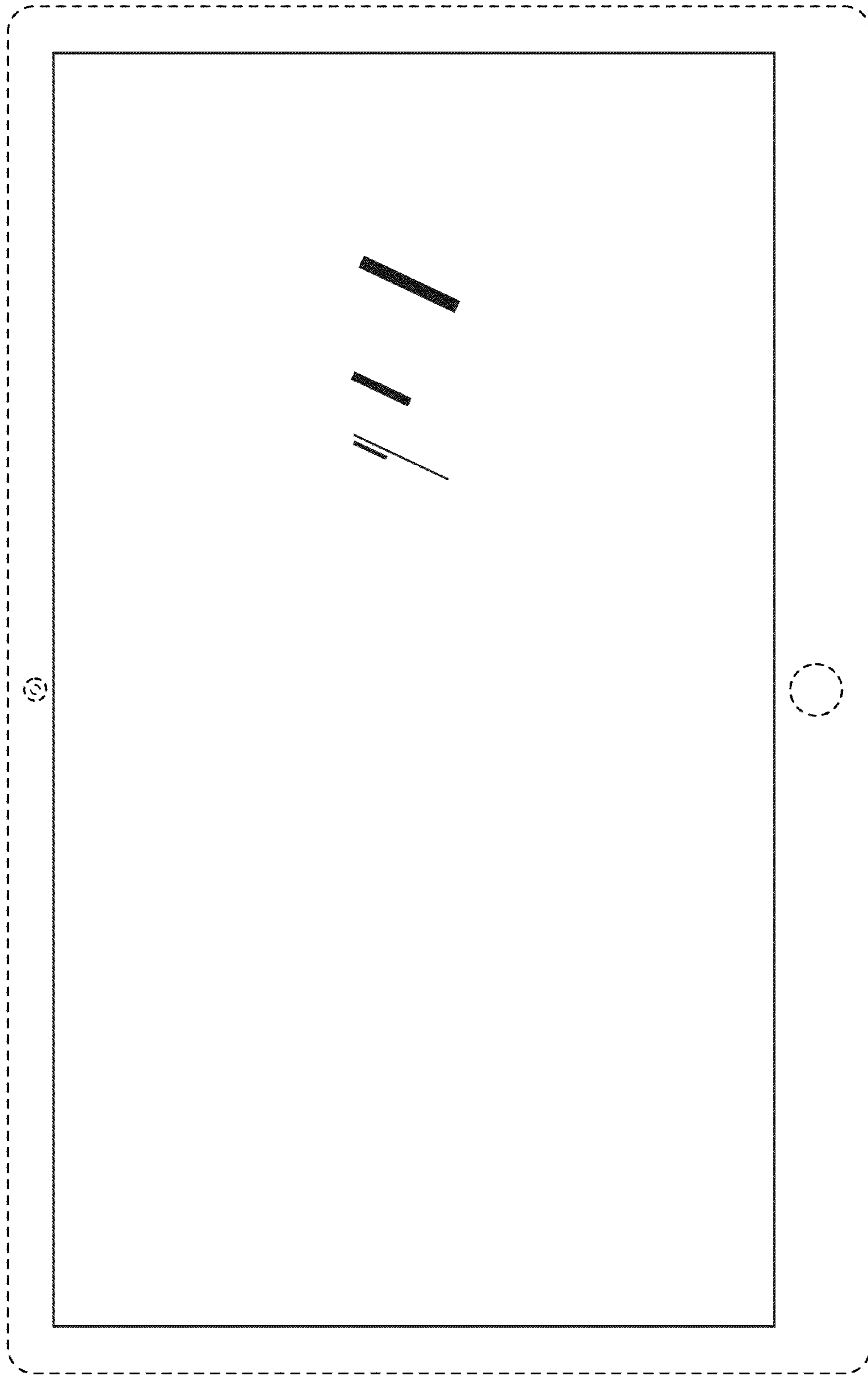


FIG. 25

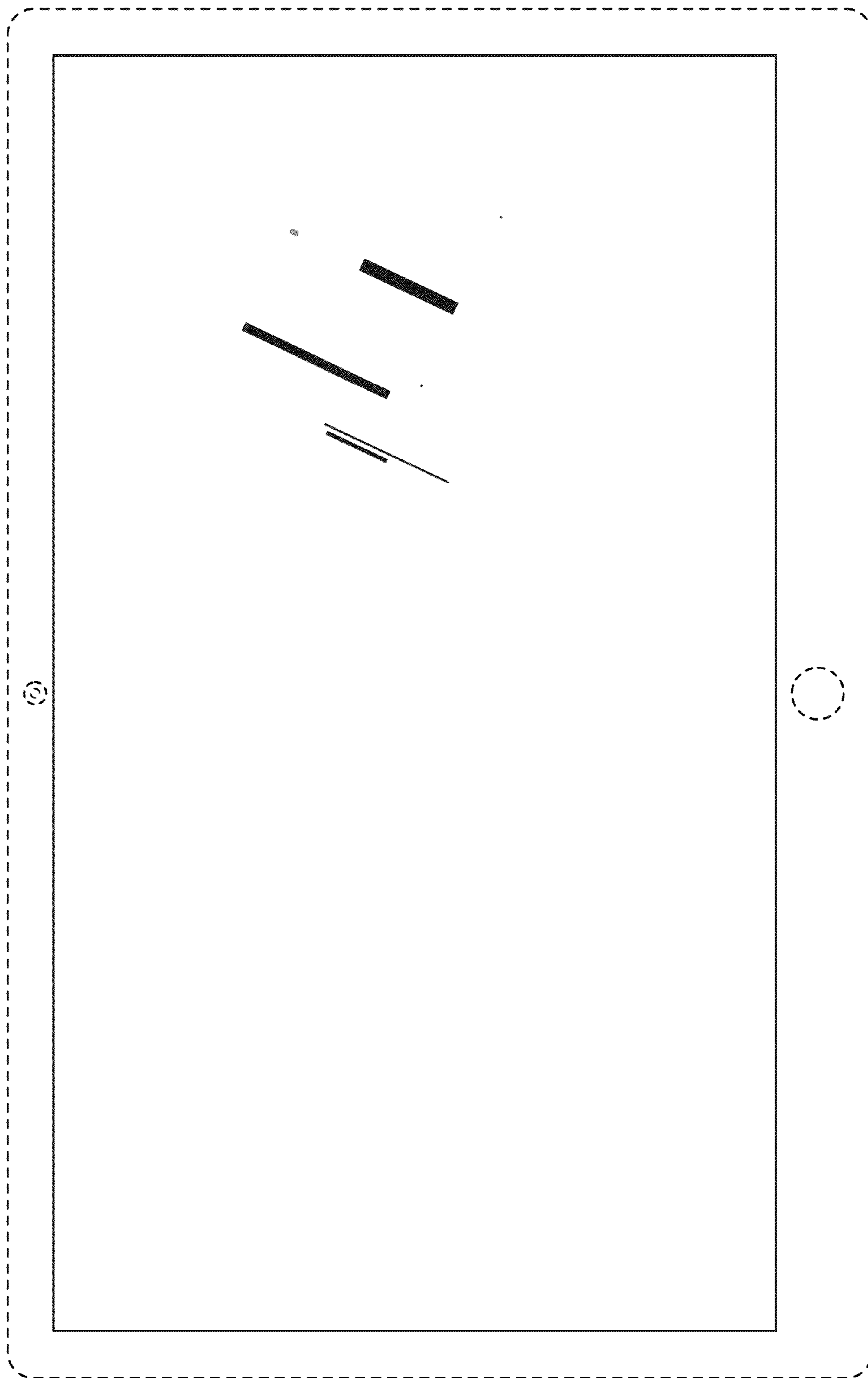


FIG. 26

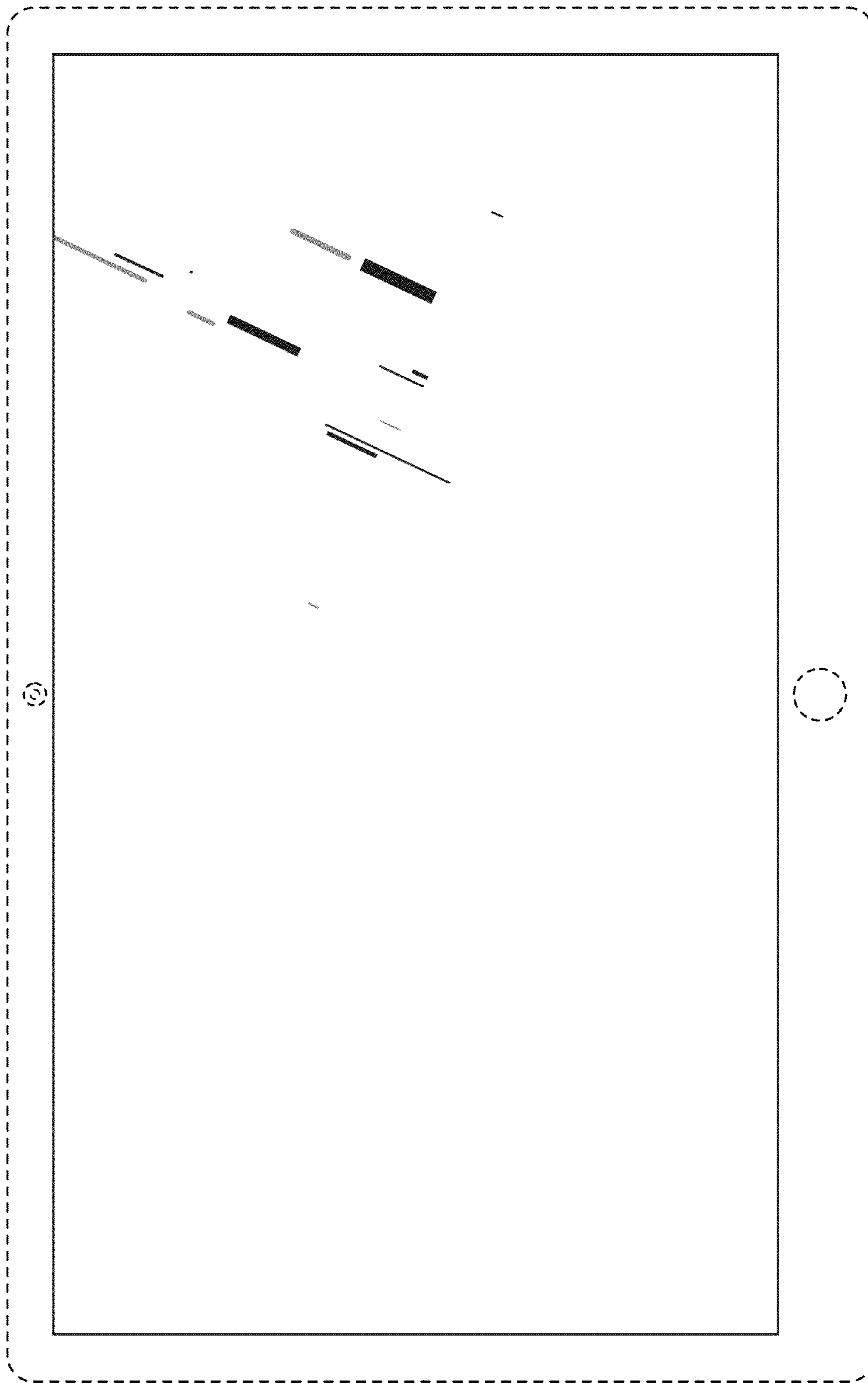


FIG. 27

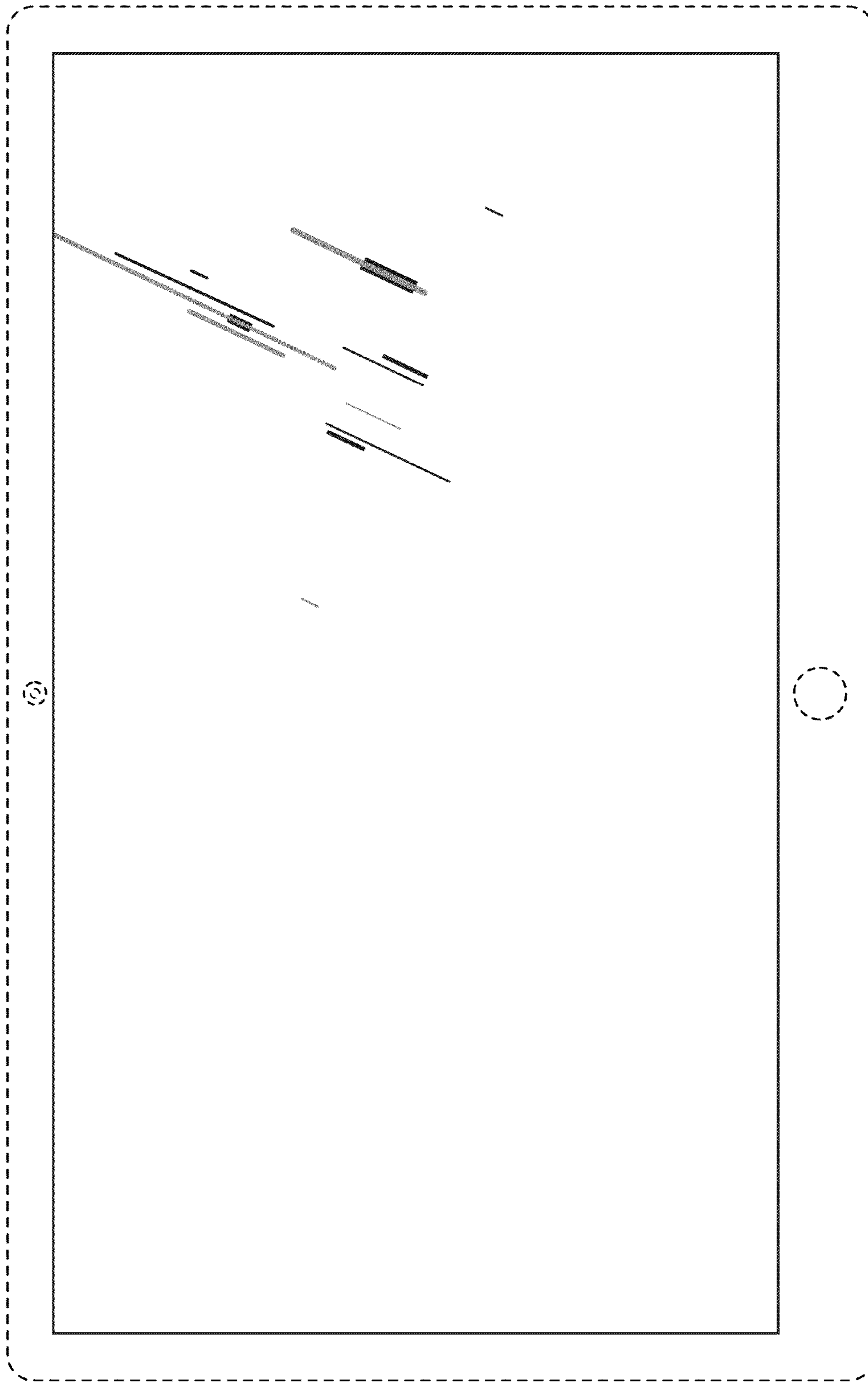


FIG. 28

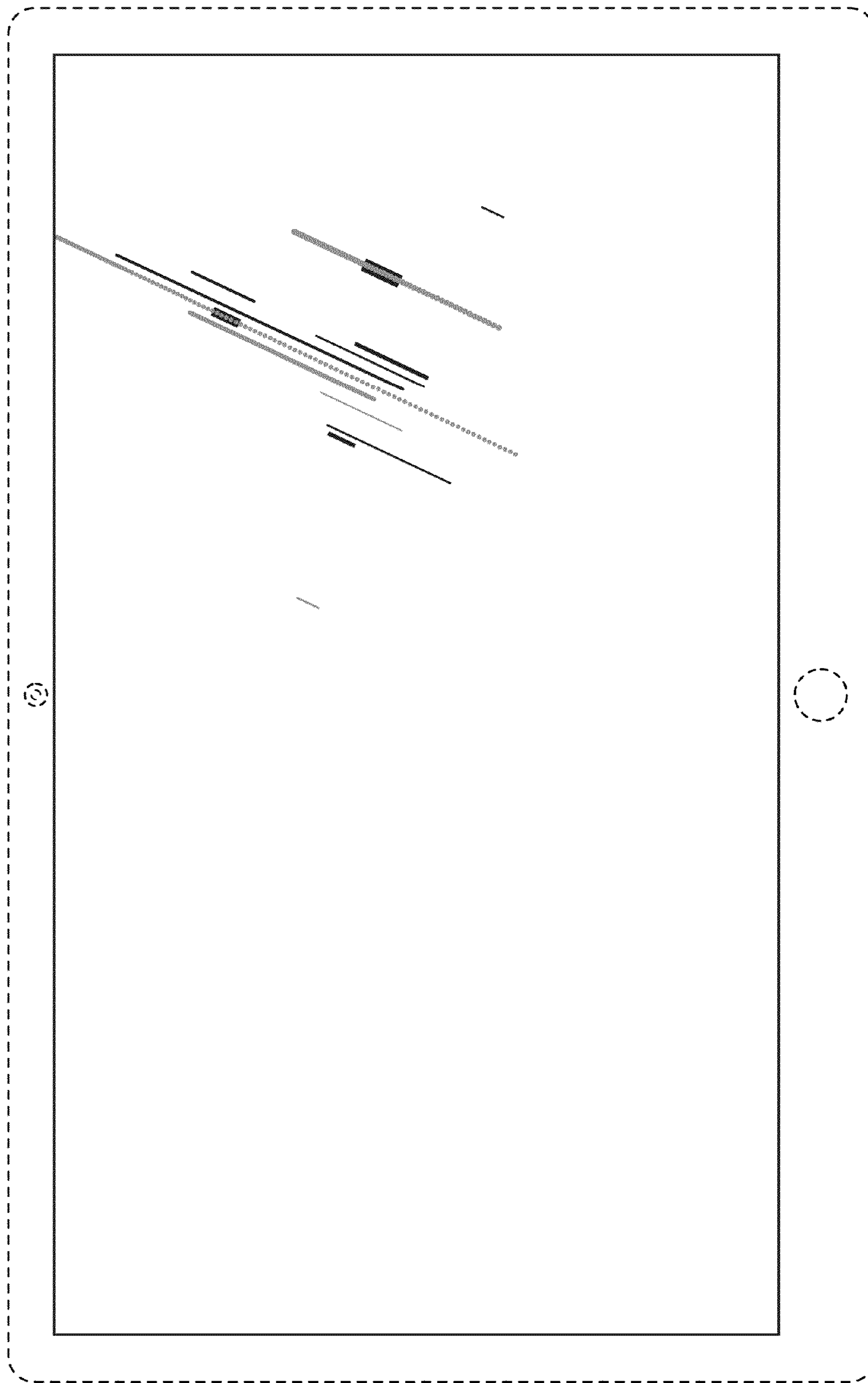


FIG. 29

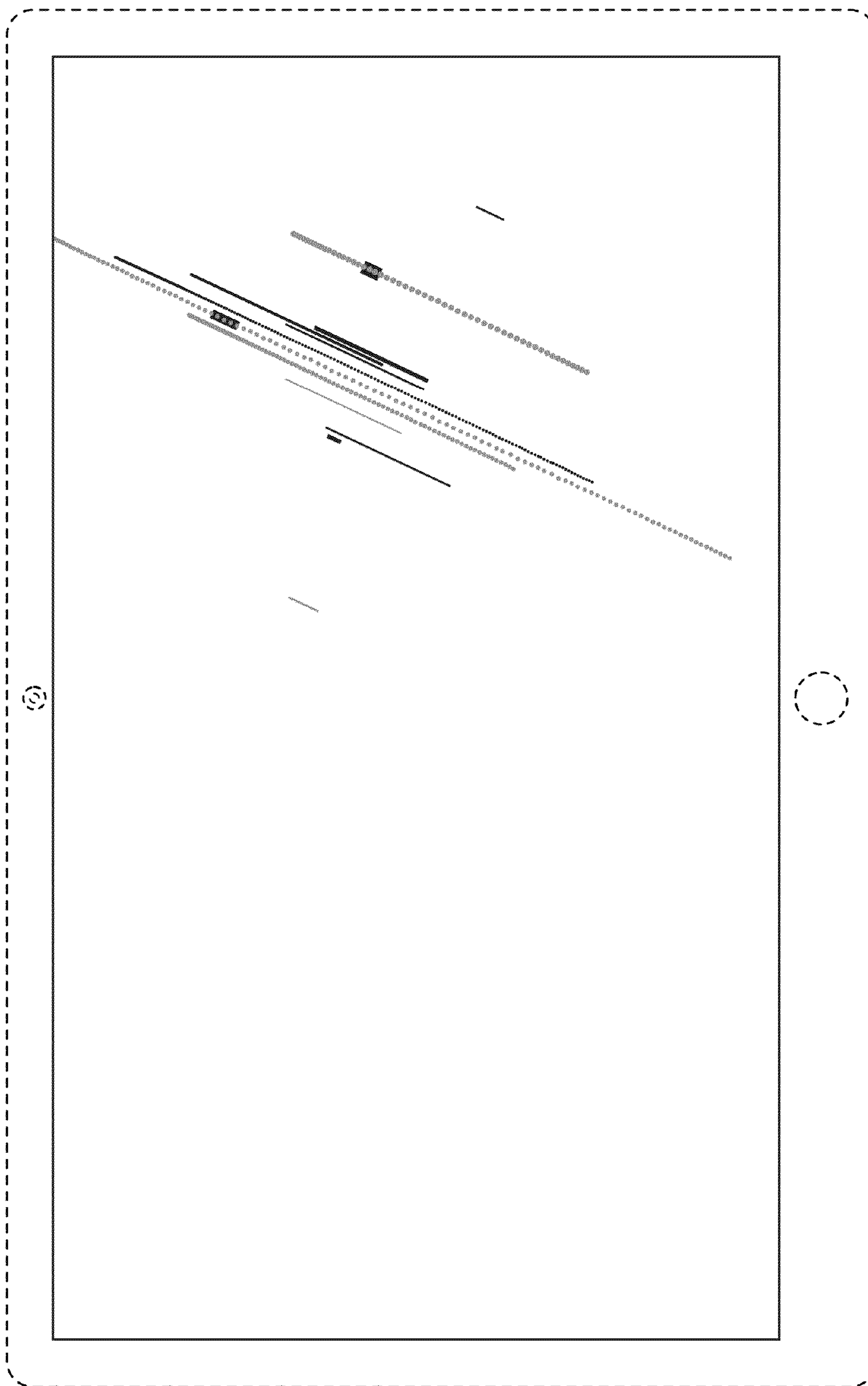


FIG. 30

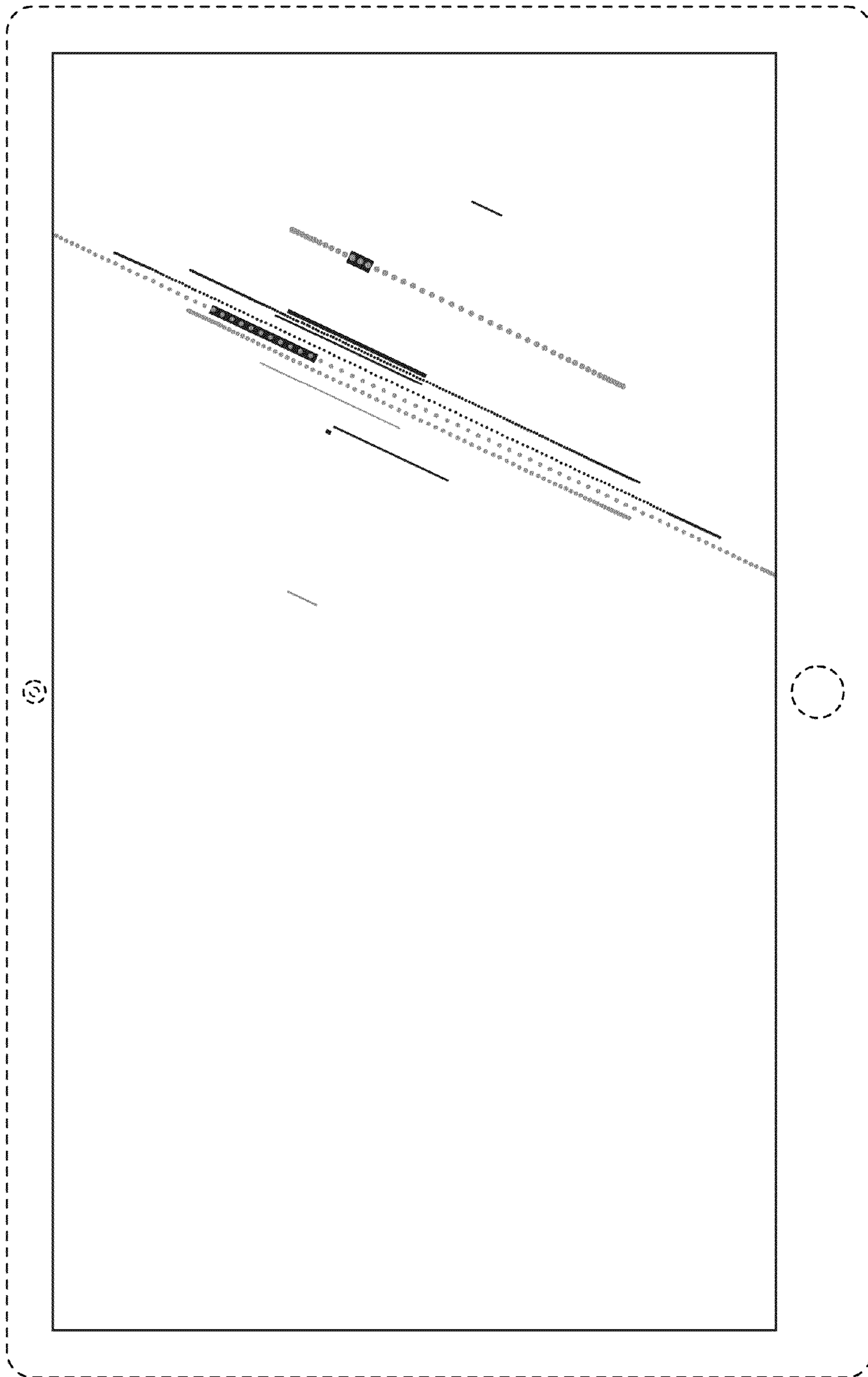


FIG. 31

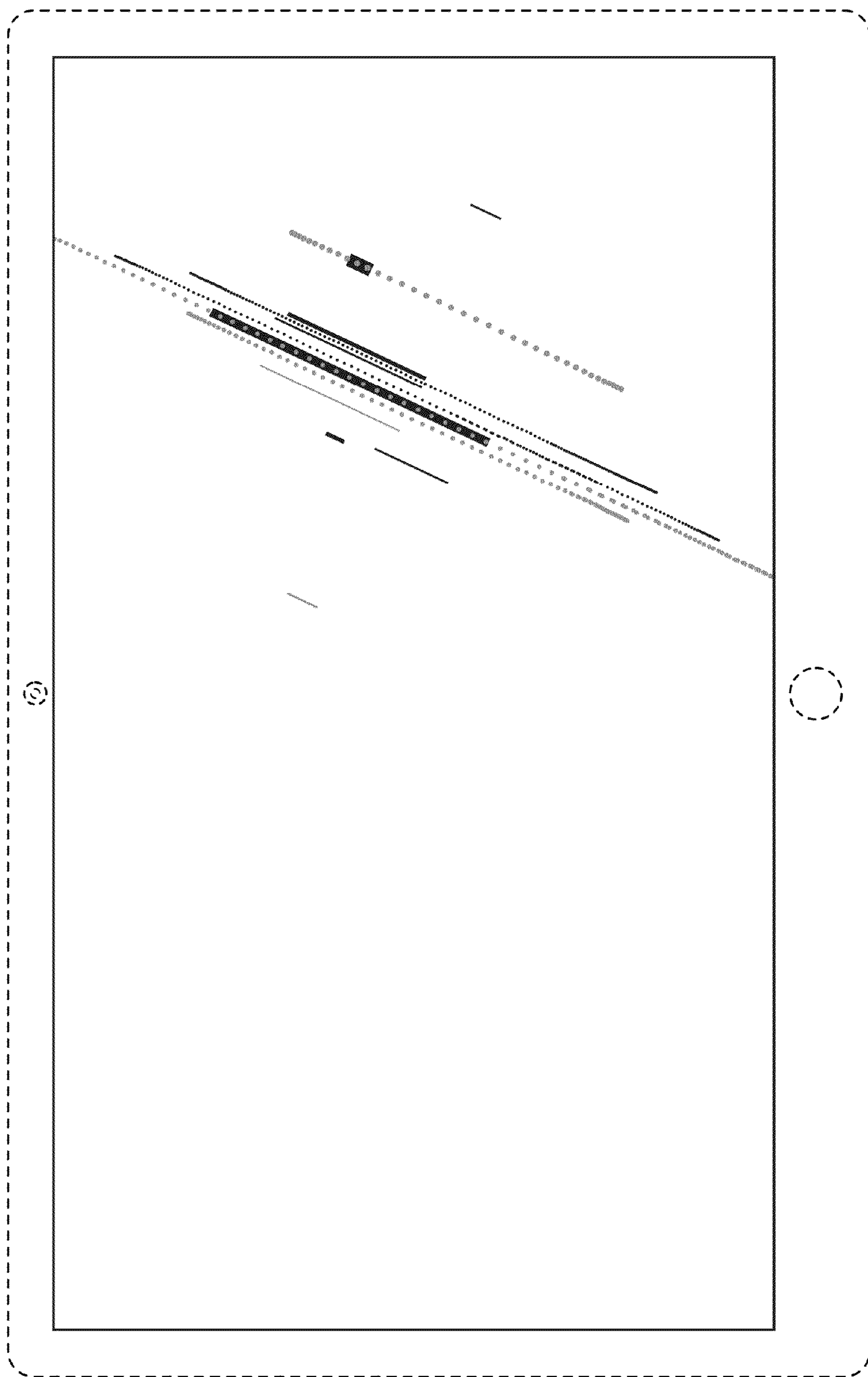


FIG. 32

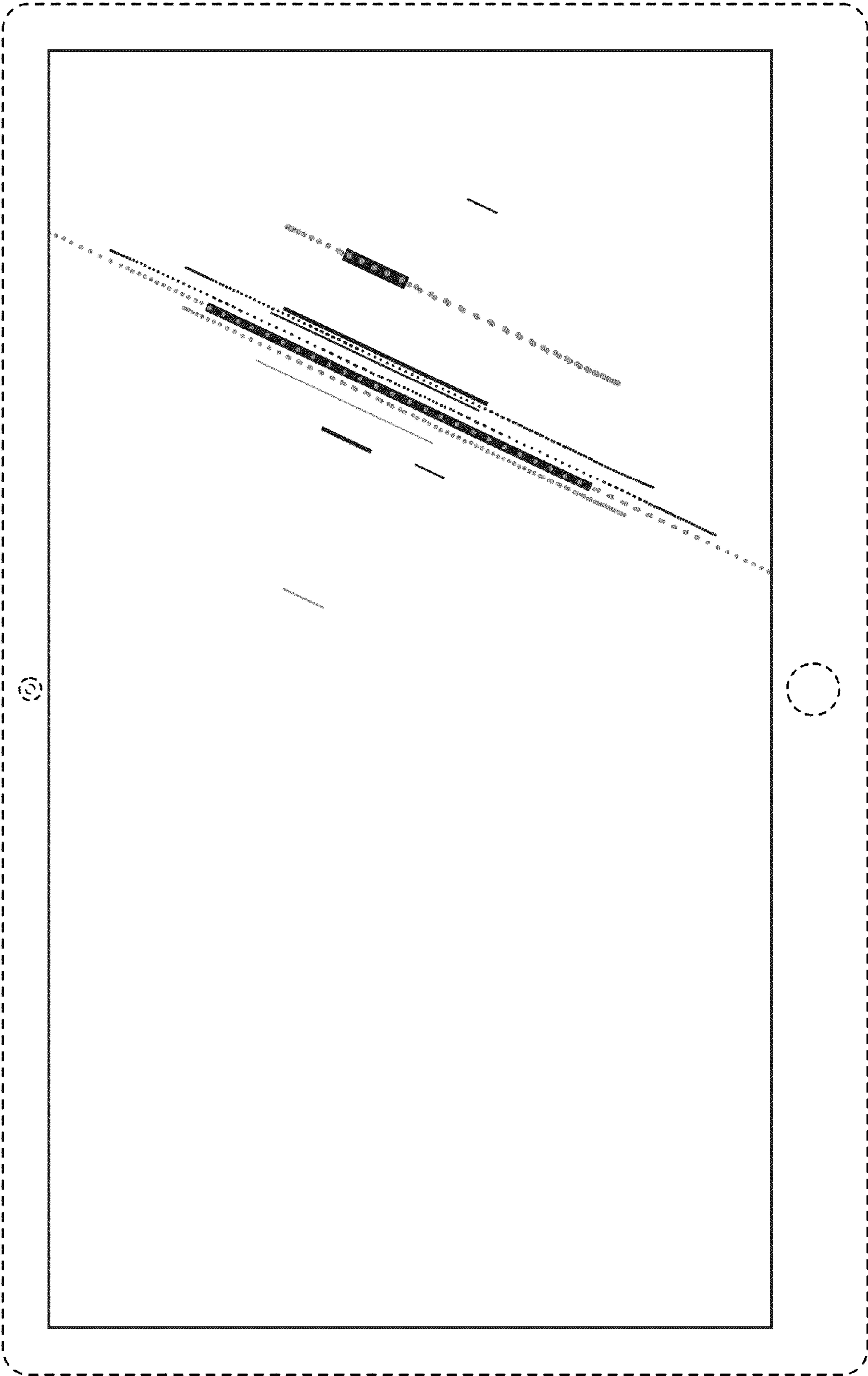


FIG. 33

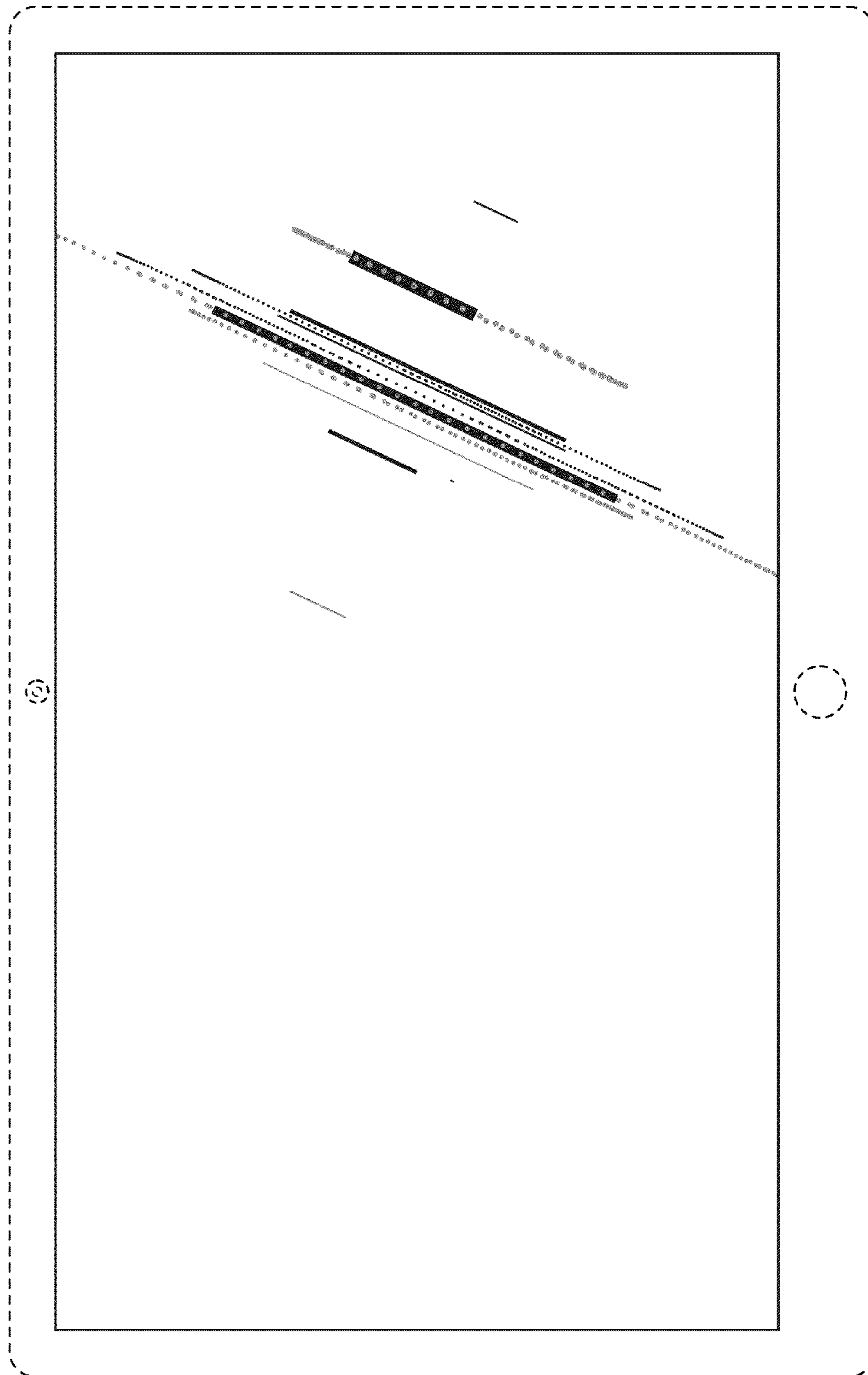


FIG. 34

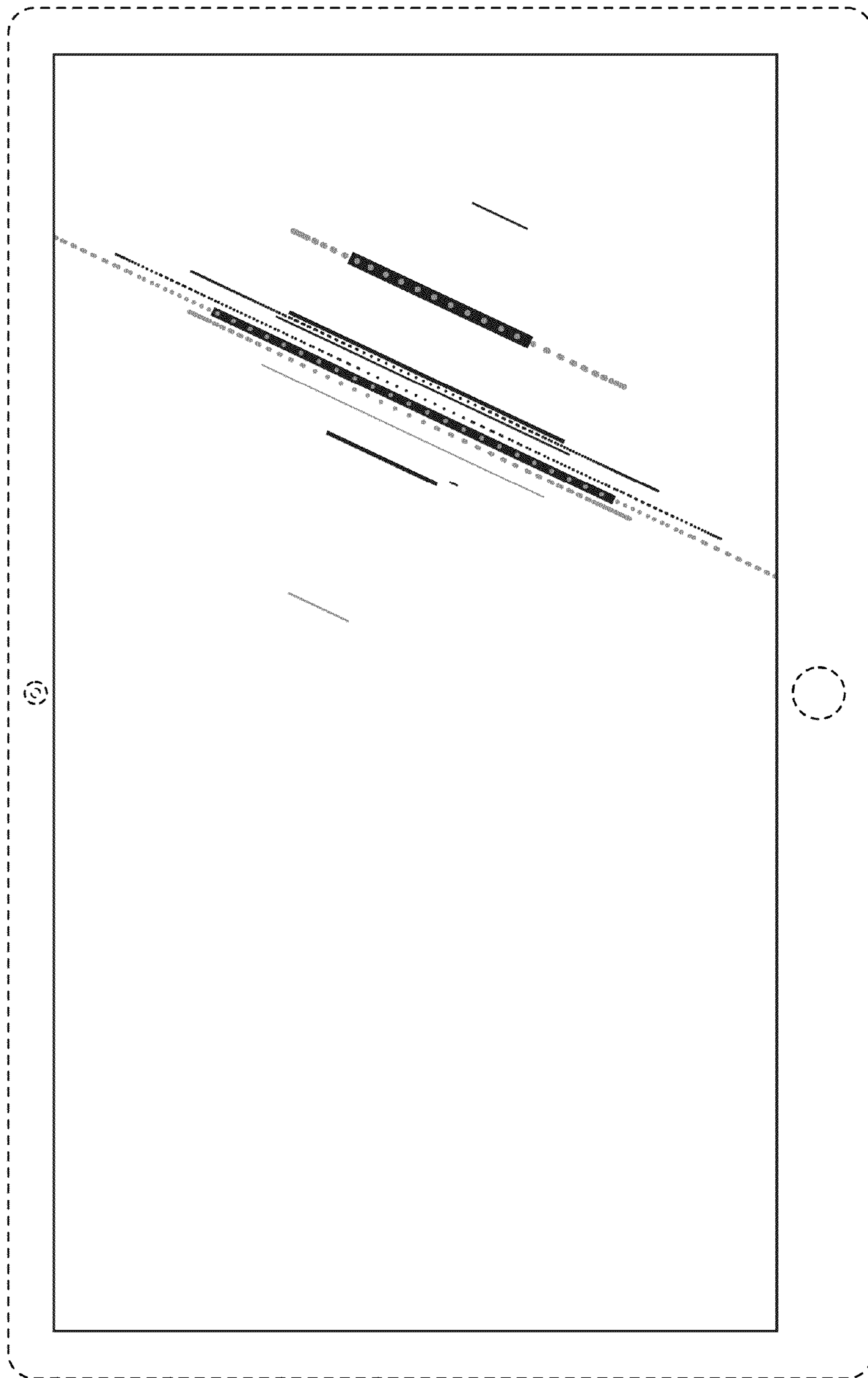


FIG. 35

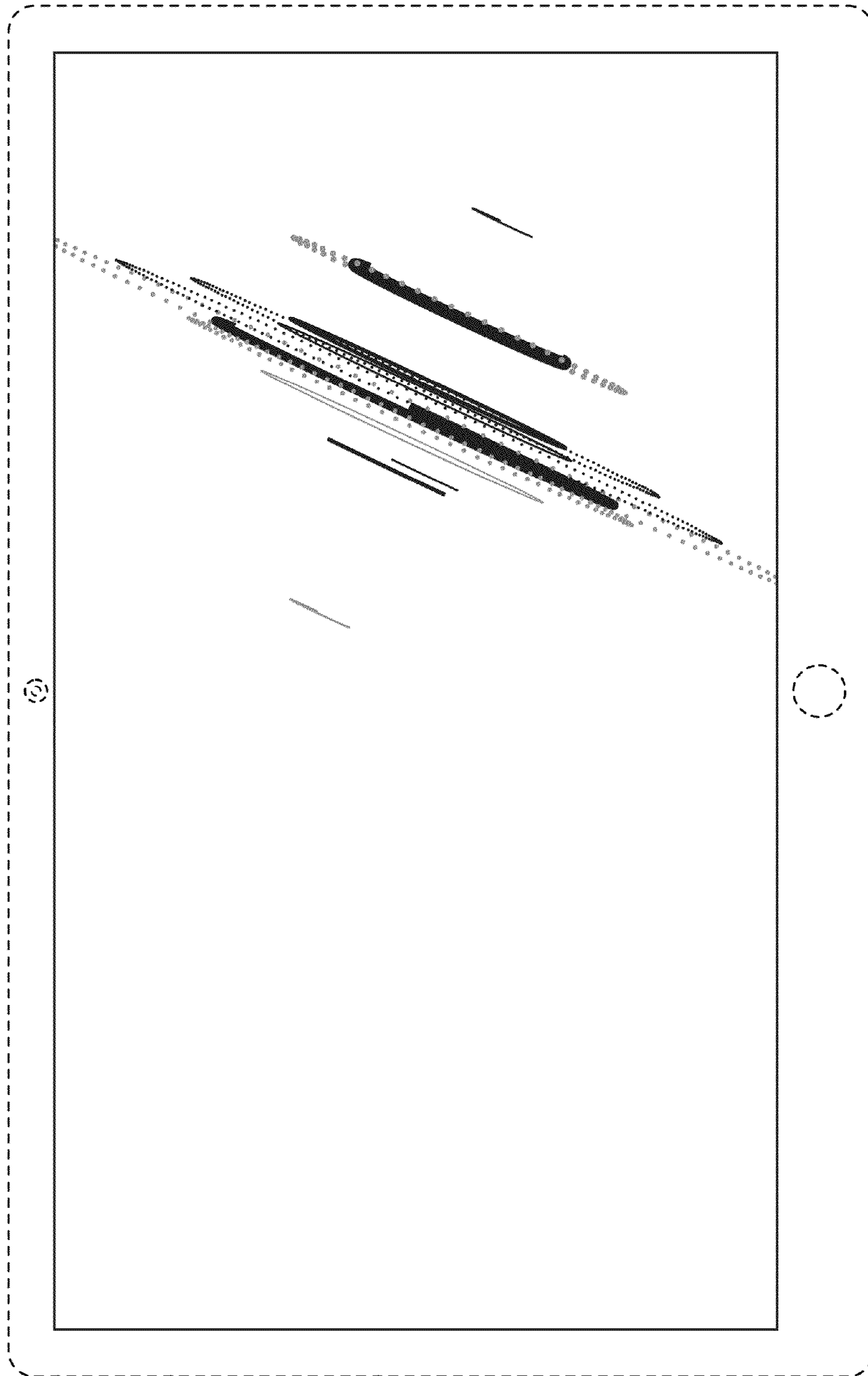


FIG. 36

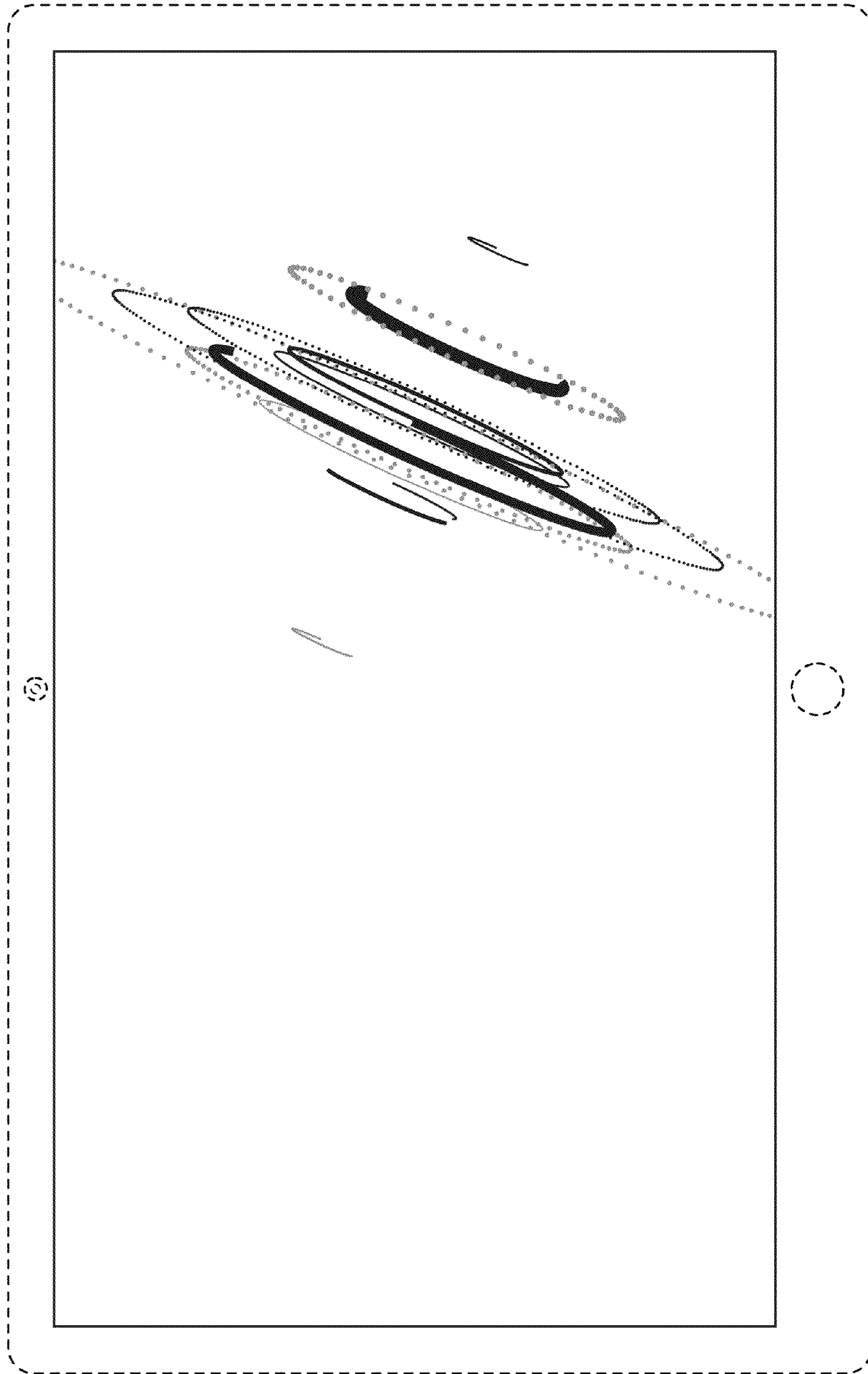


FIG. 37

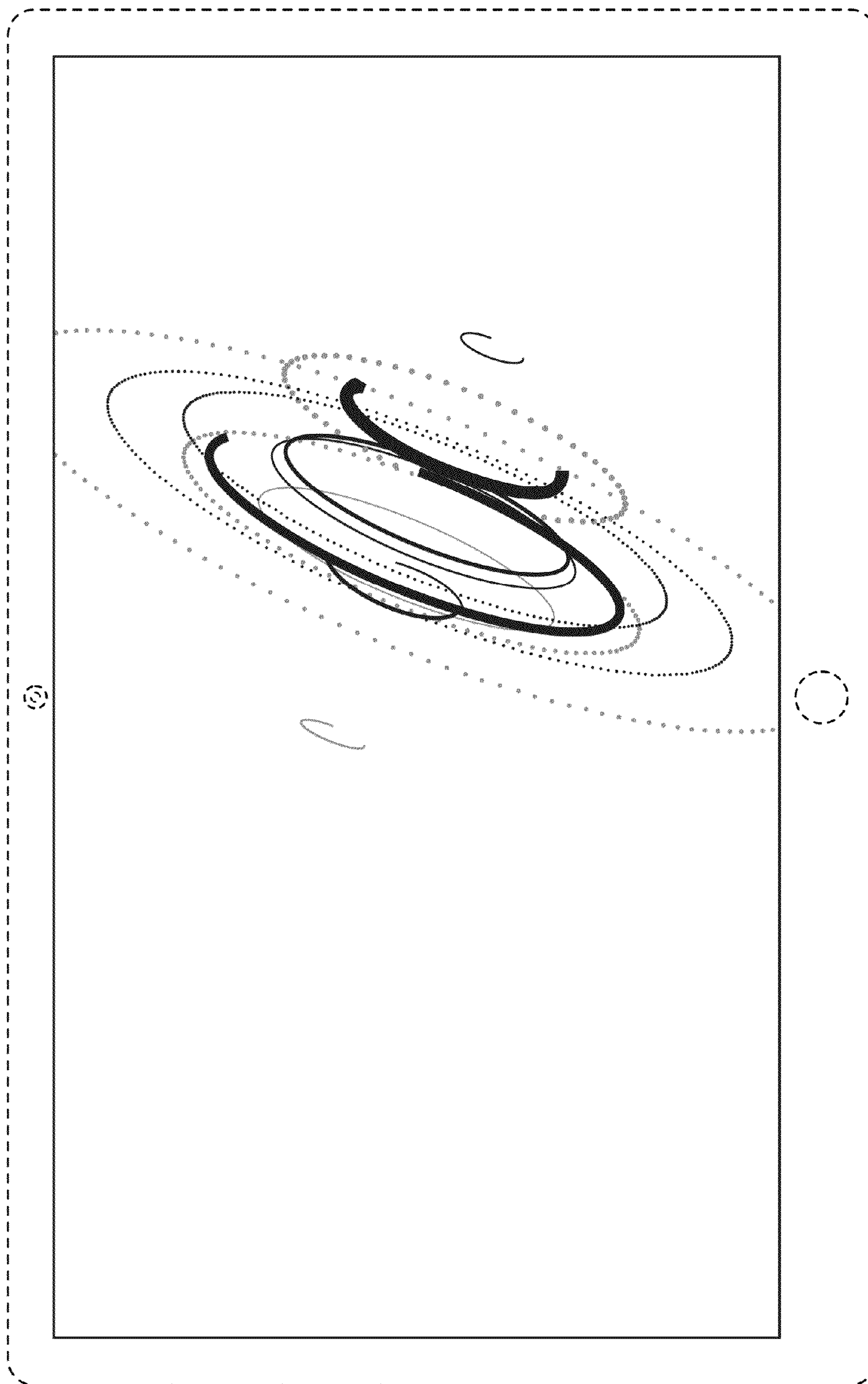


FIG. 38

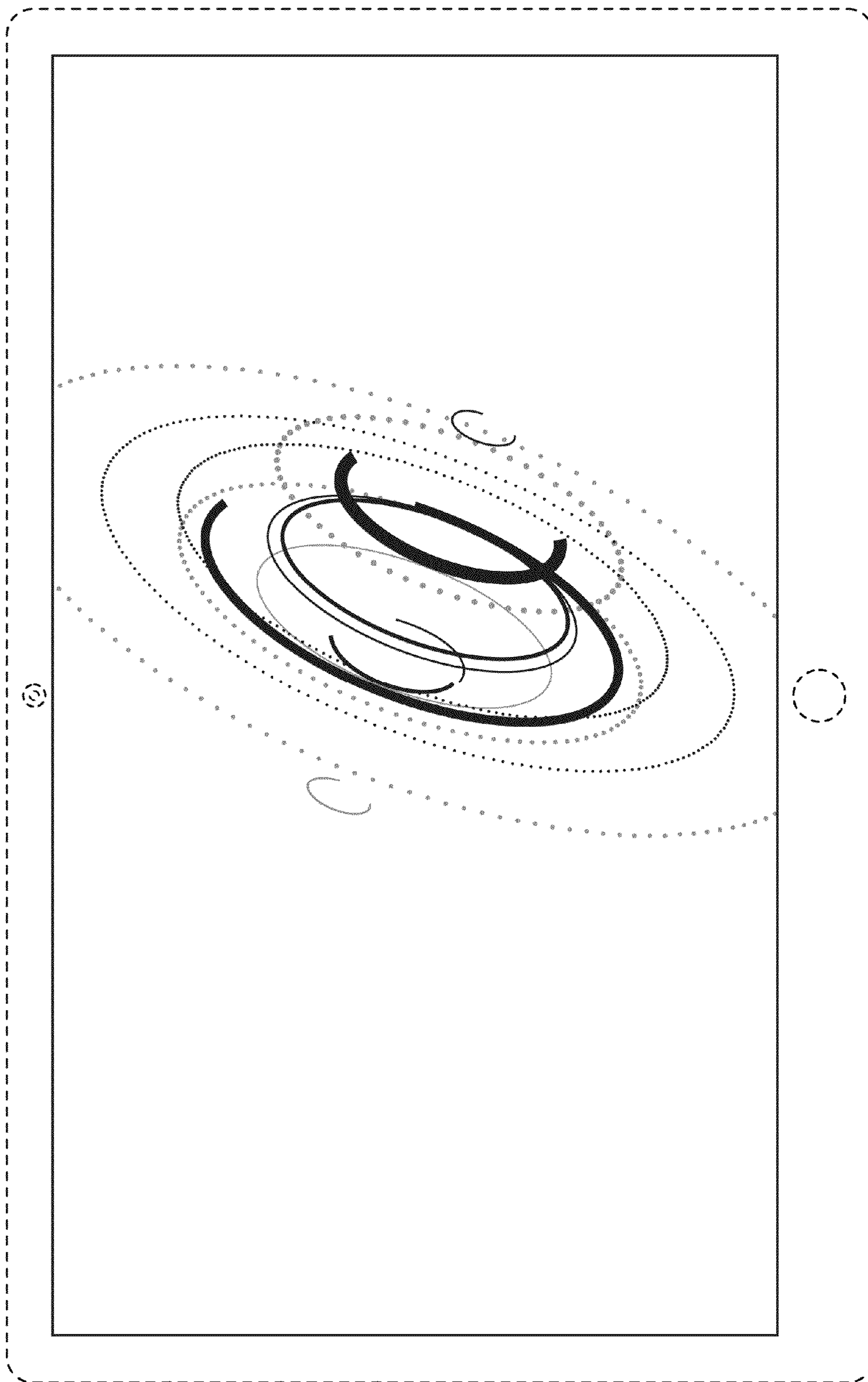


FIG. 39

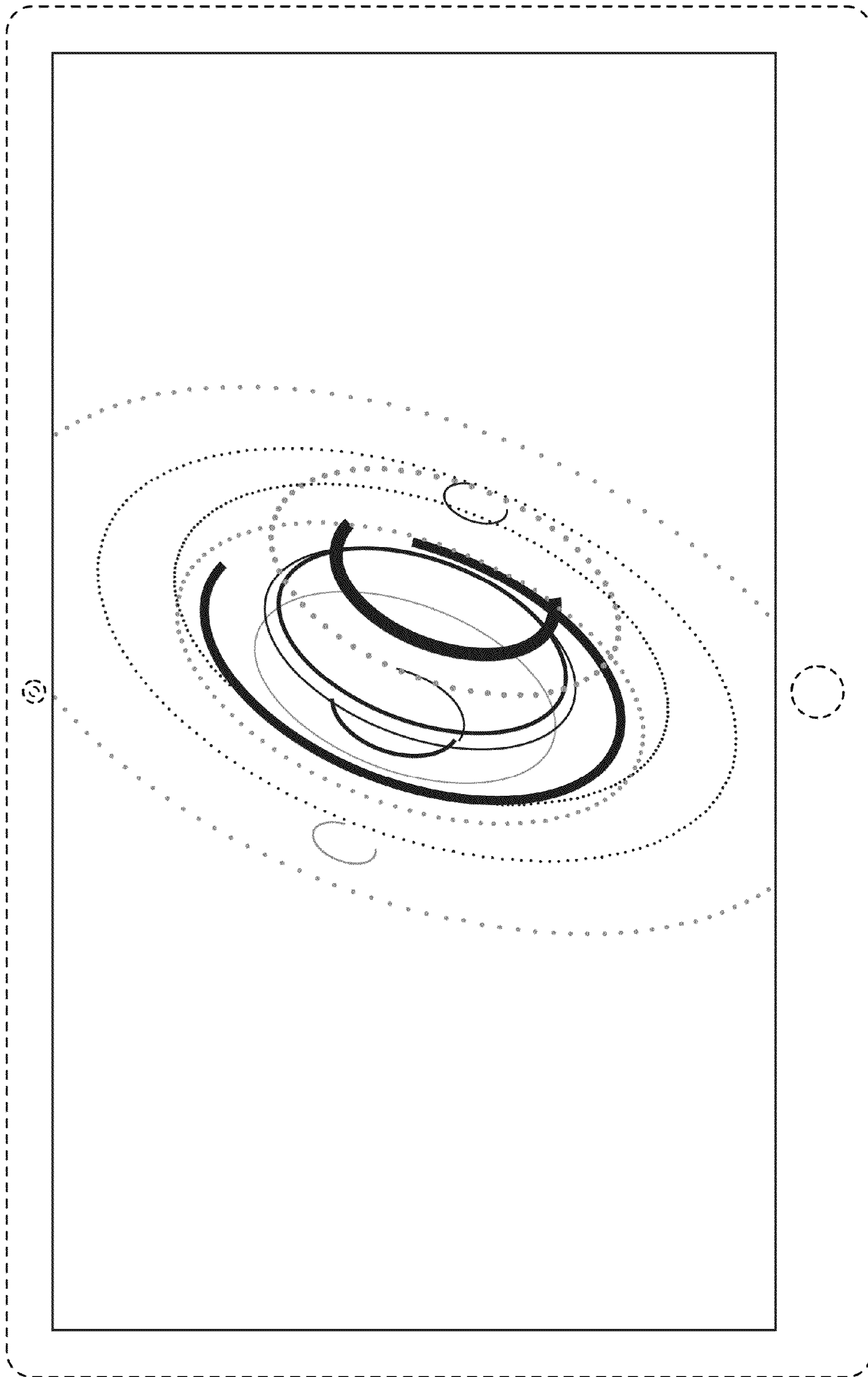


FIG. 40

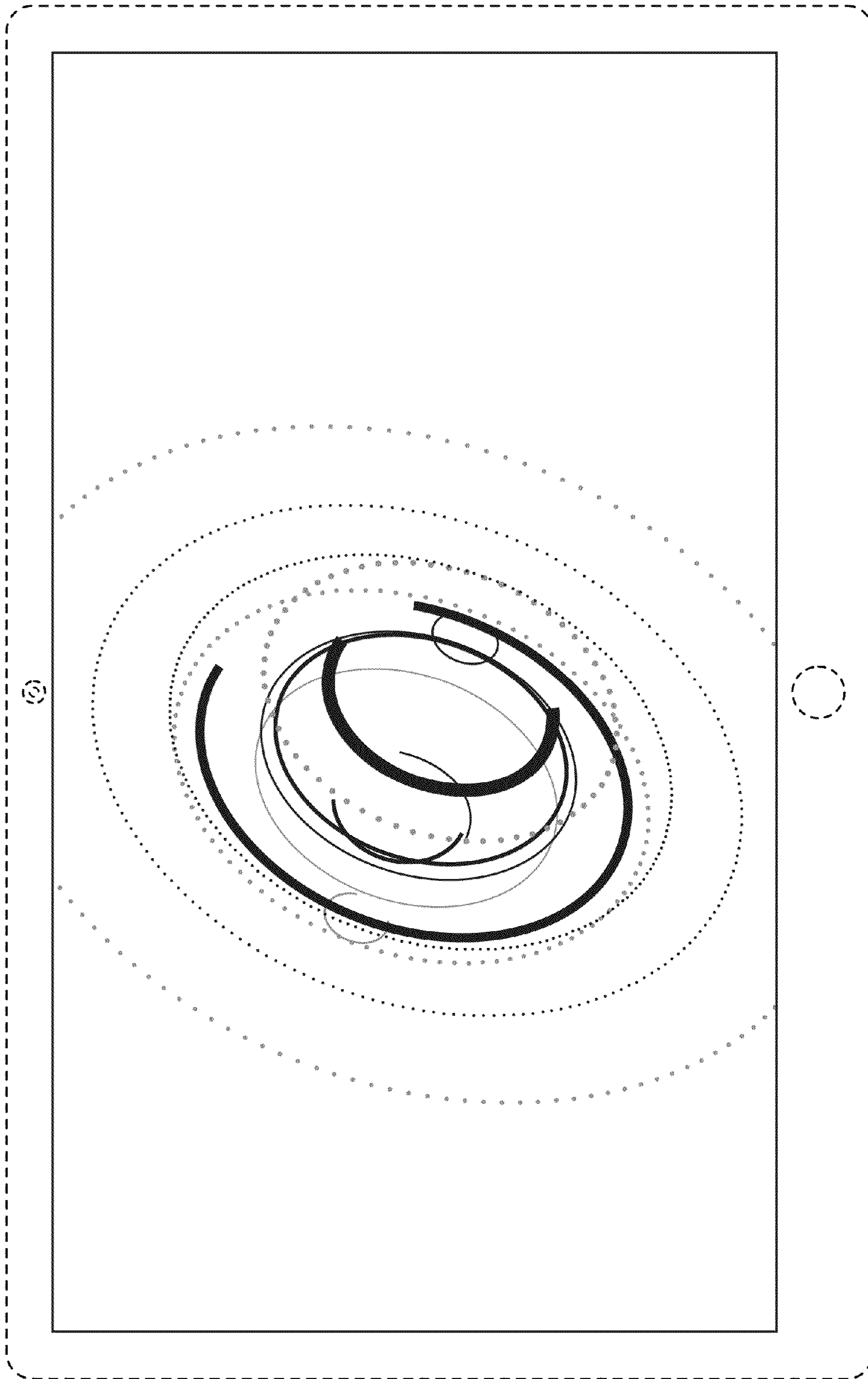


FIG. 41

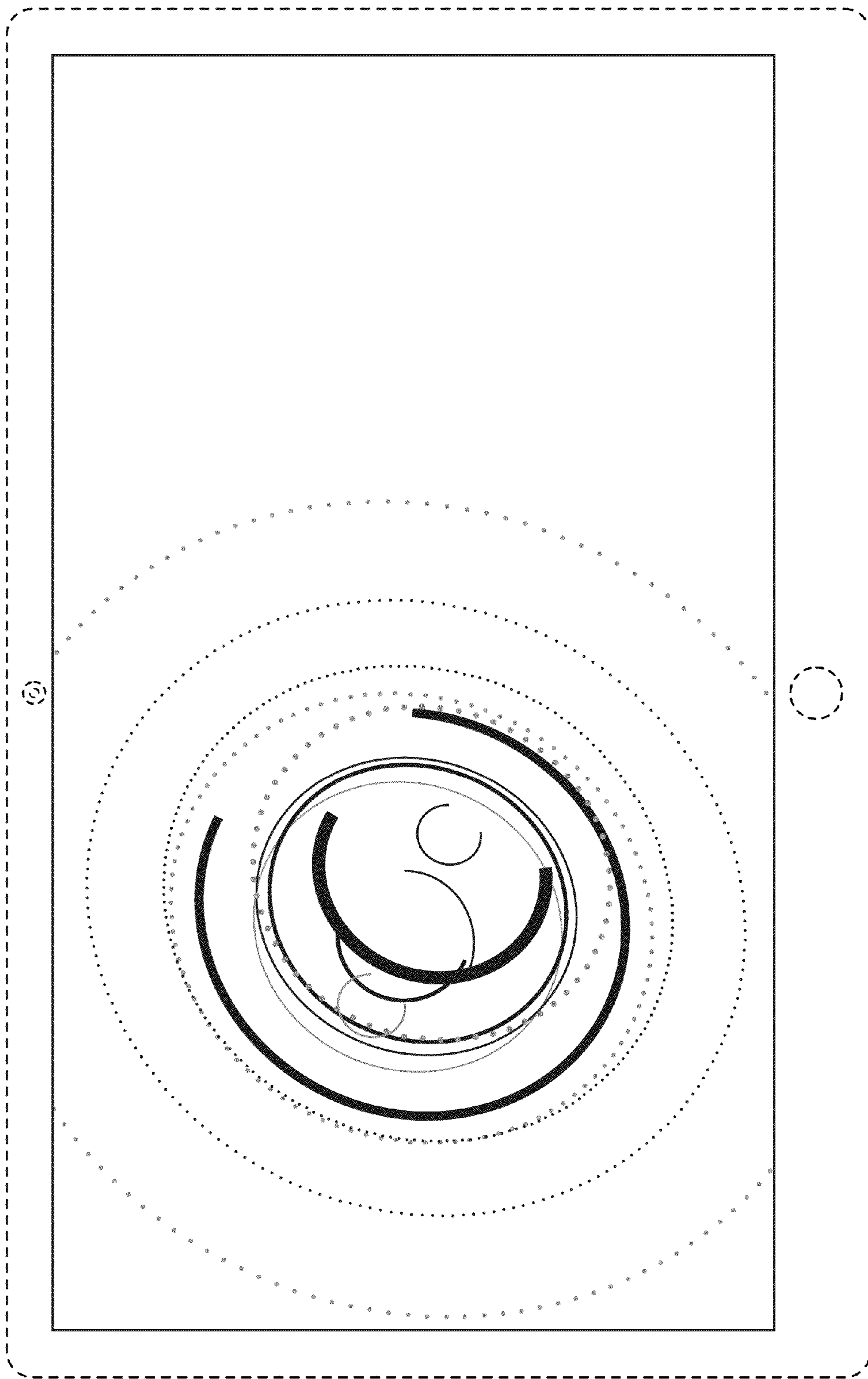


FIG. 42

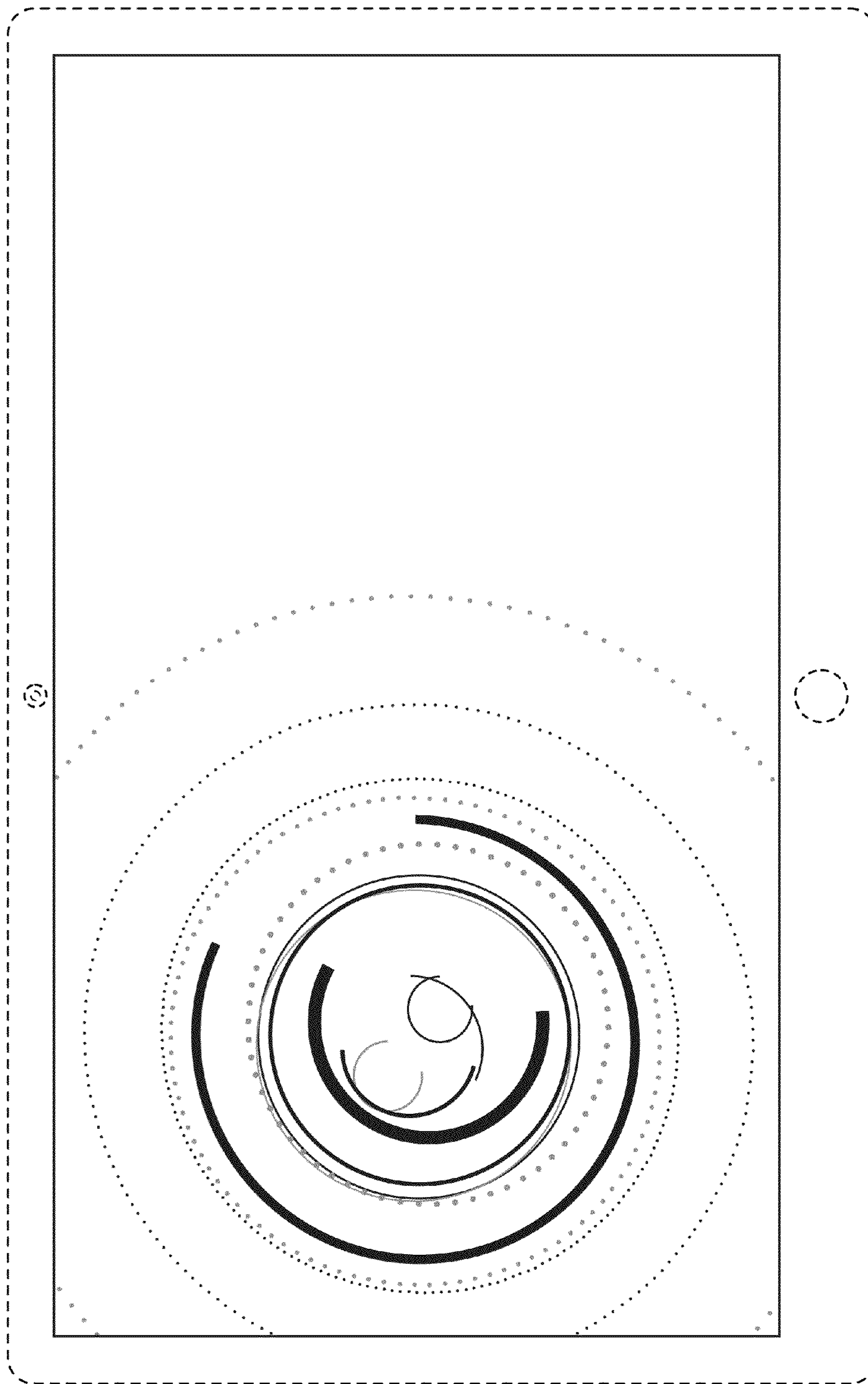


FIG. 43

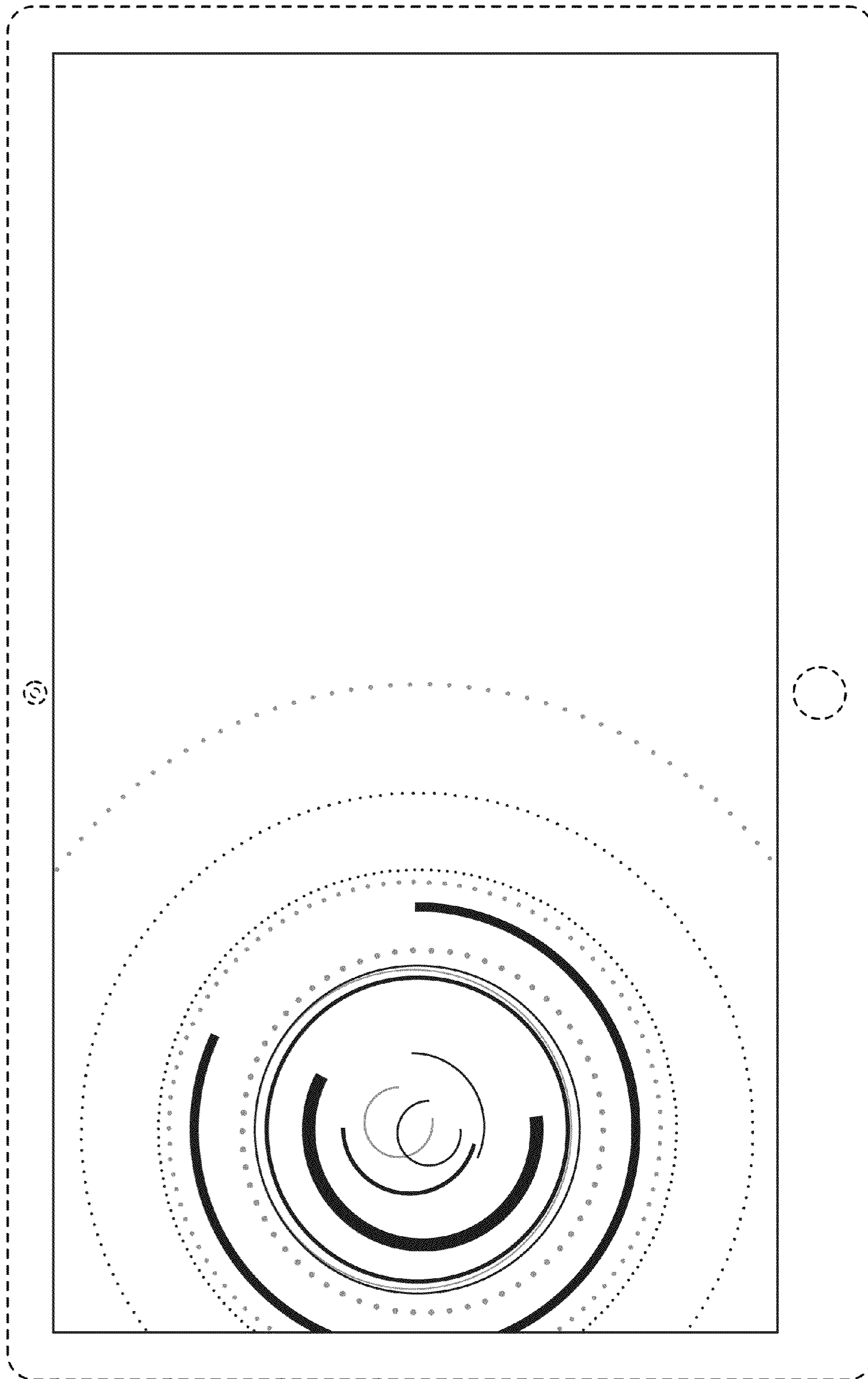
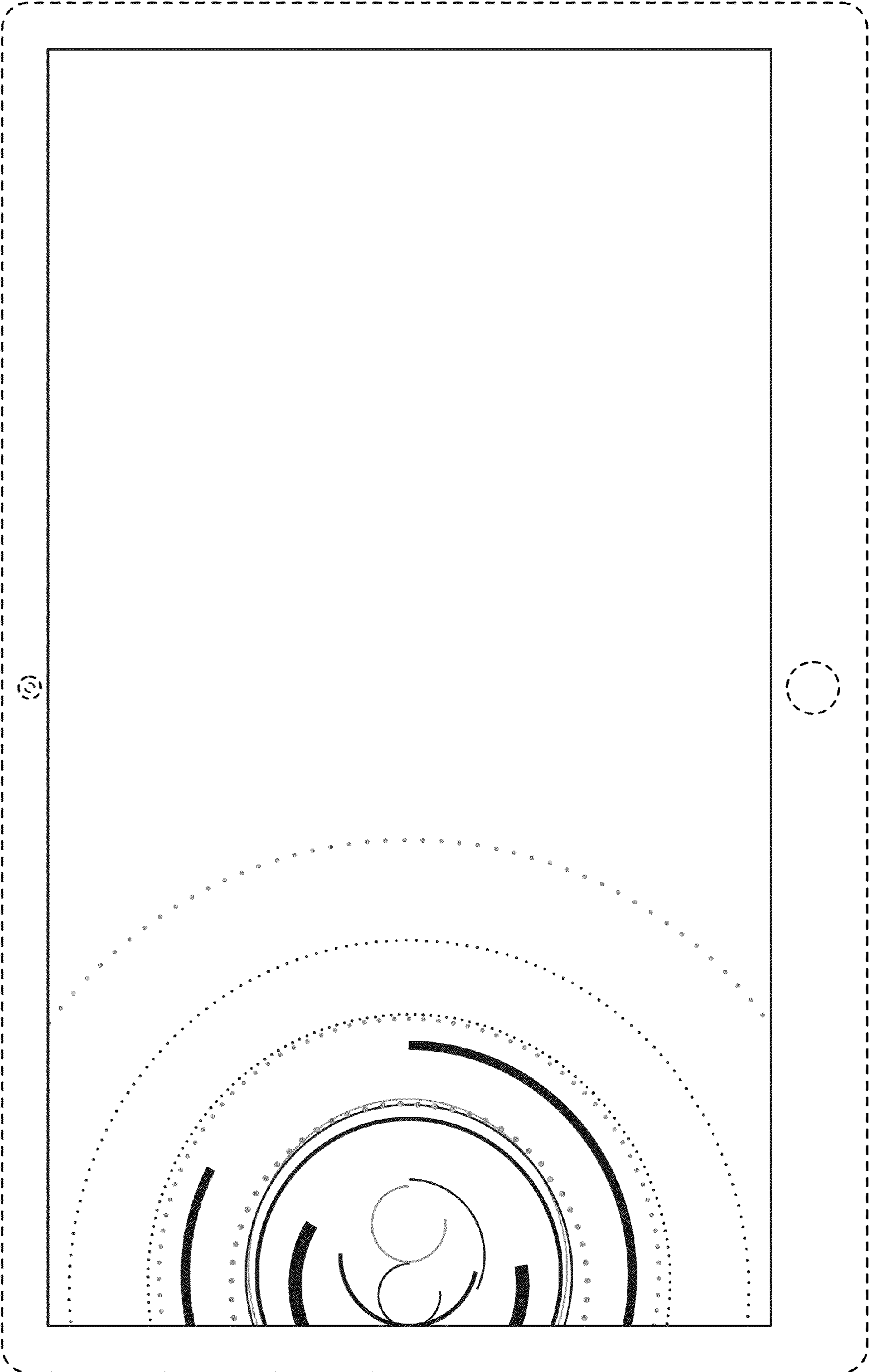


FIG. 44



⊙

⊙

FIG. 45

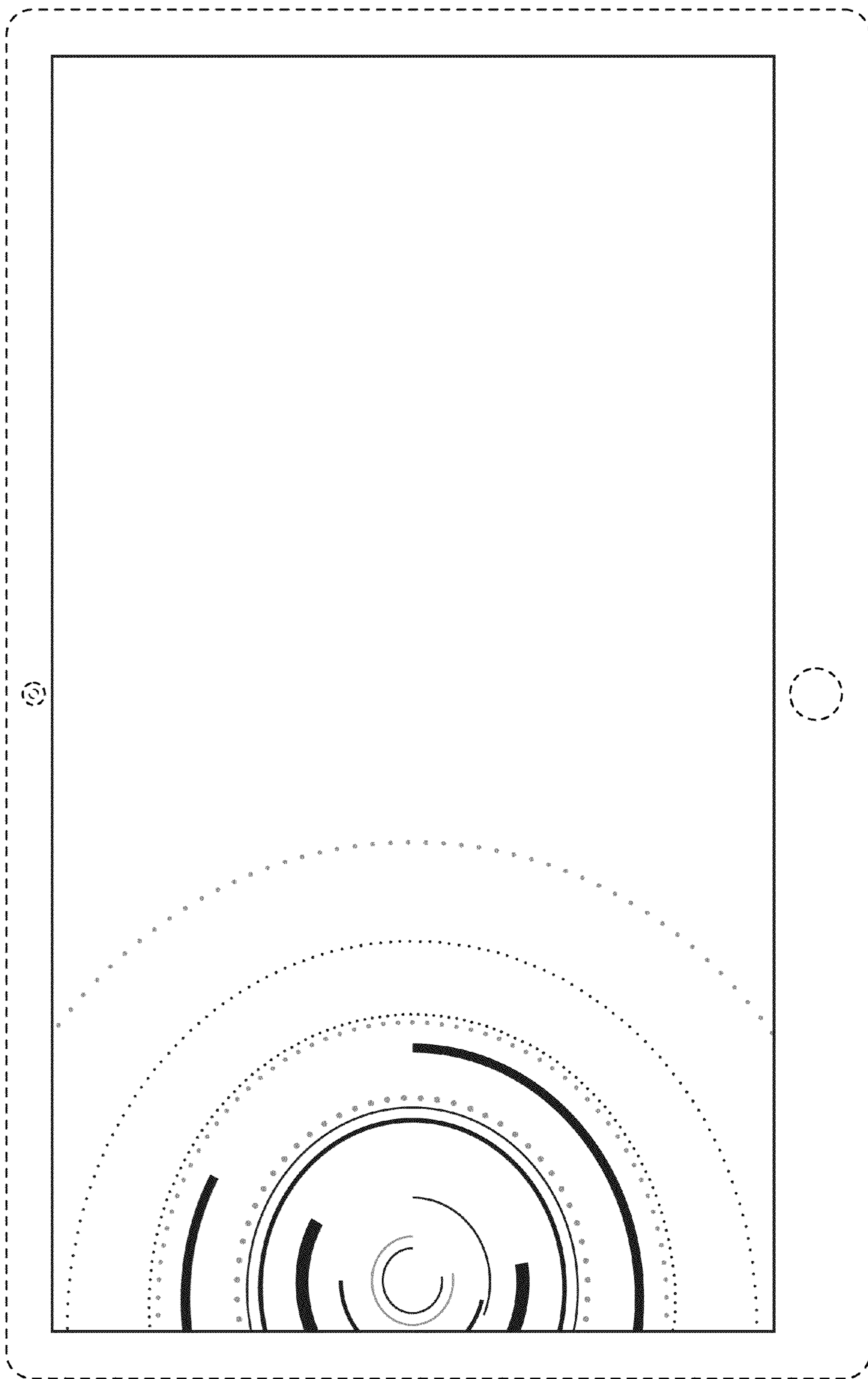


FIG. 46

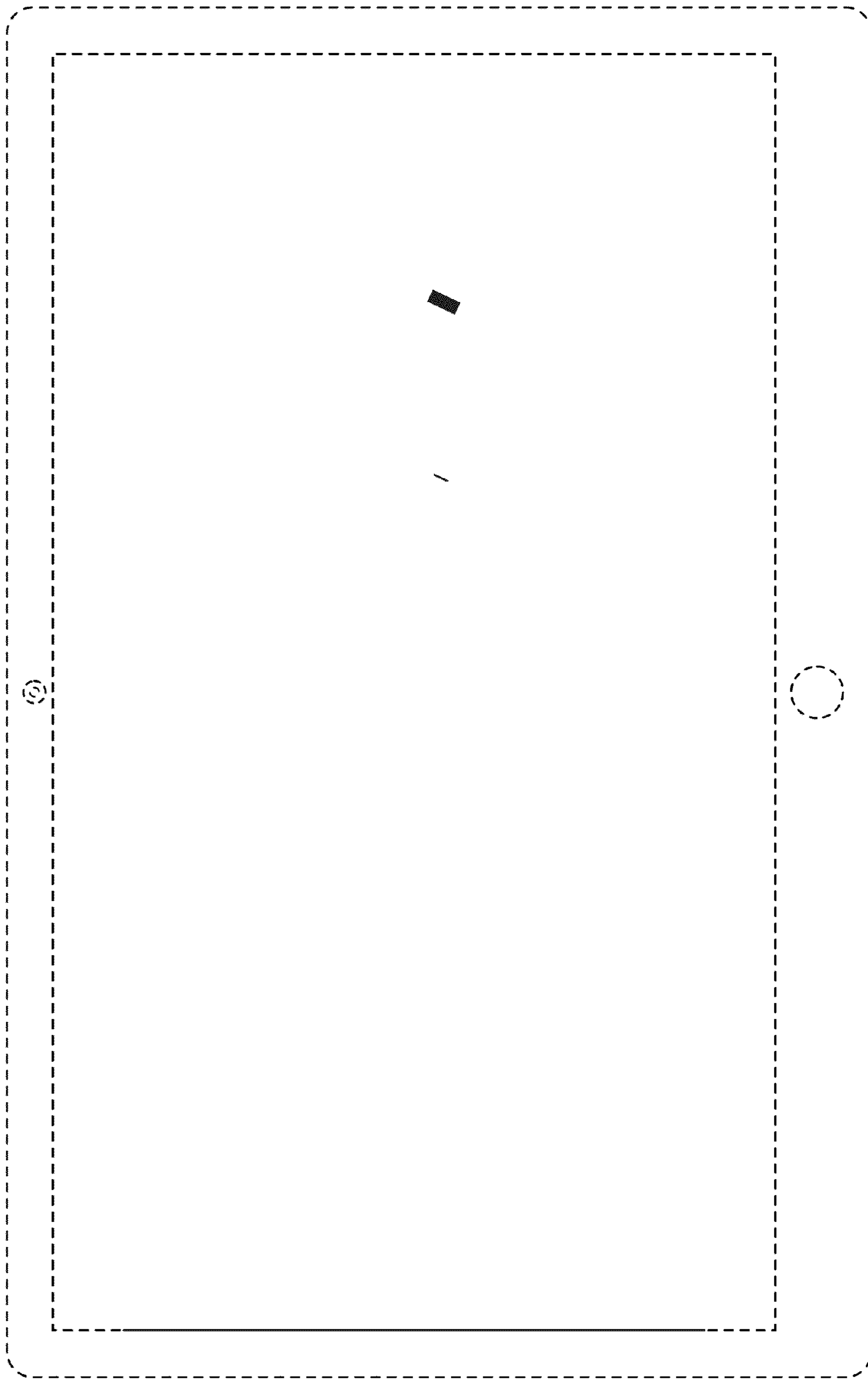


FIG. 47

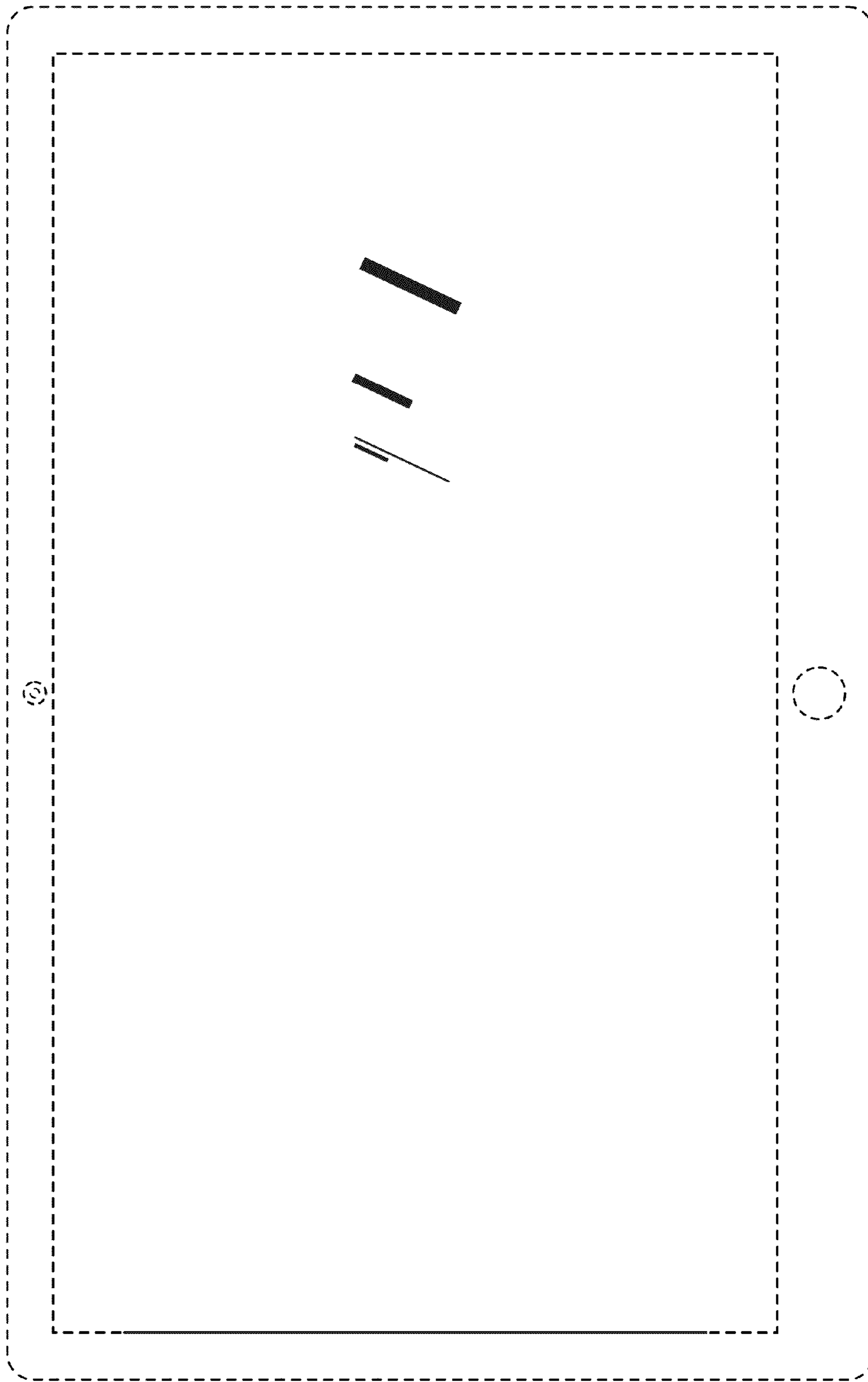


FIG. 48

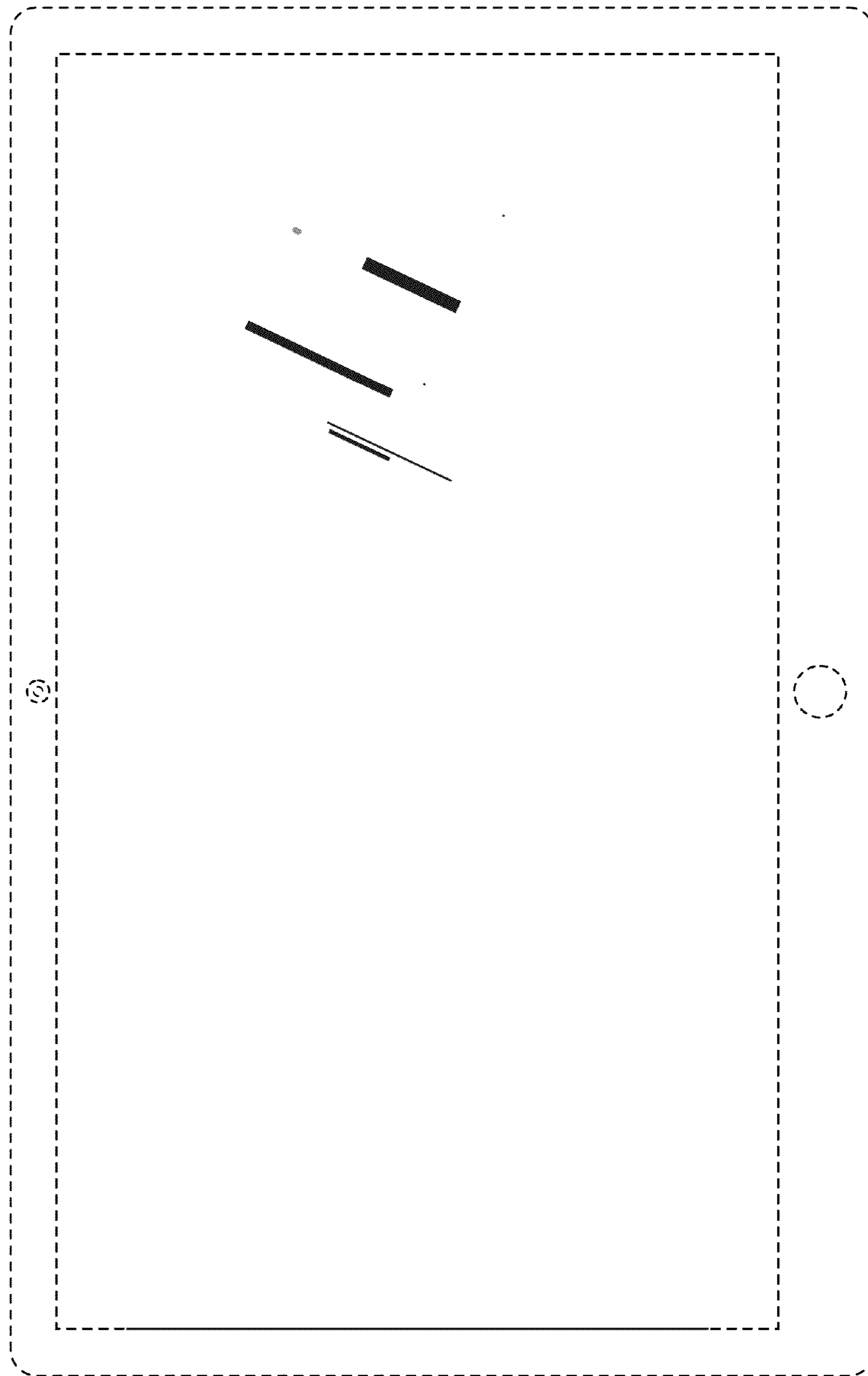


FIG. 49

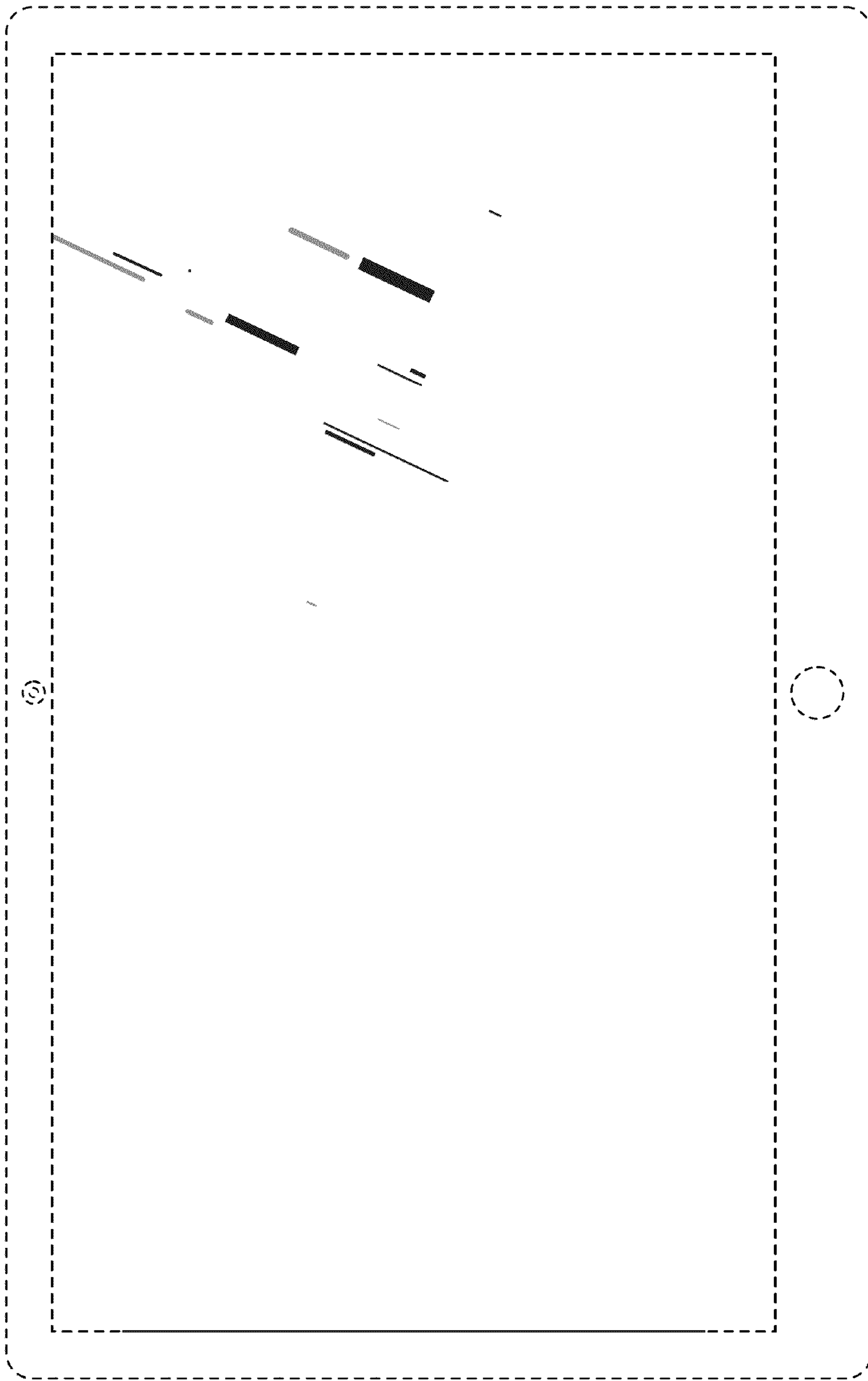


FIG. 50

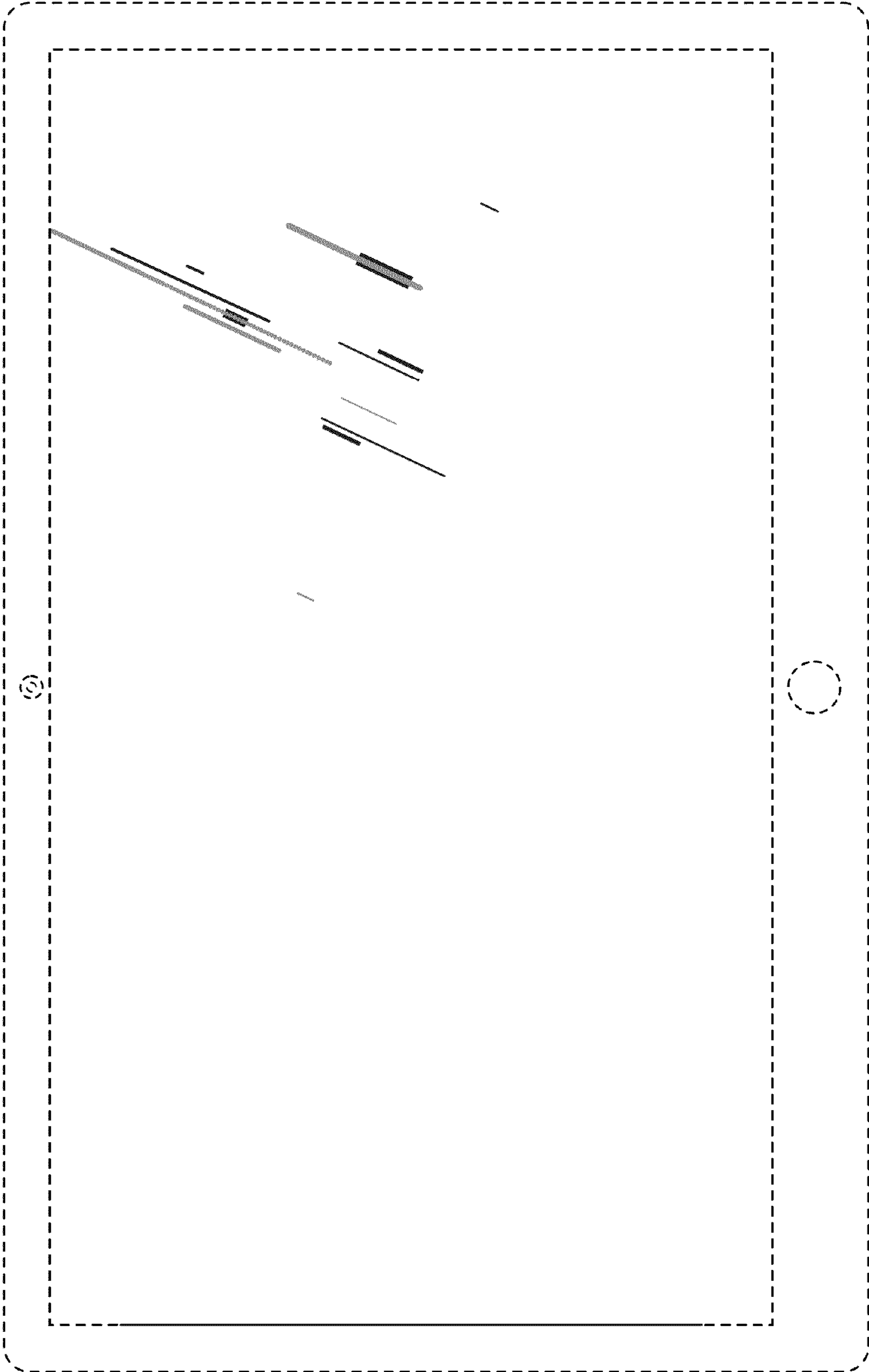


FIG. 51

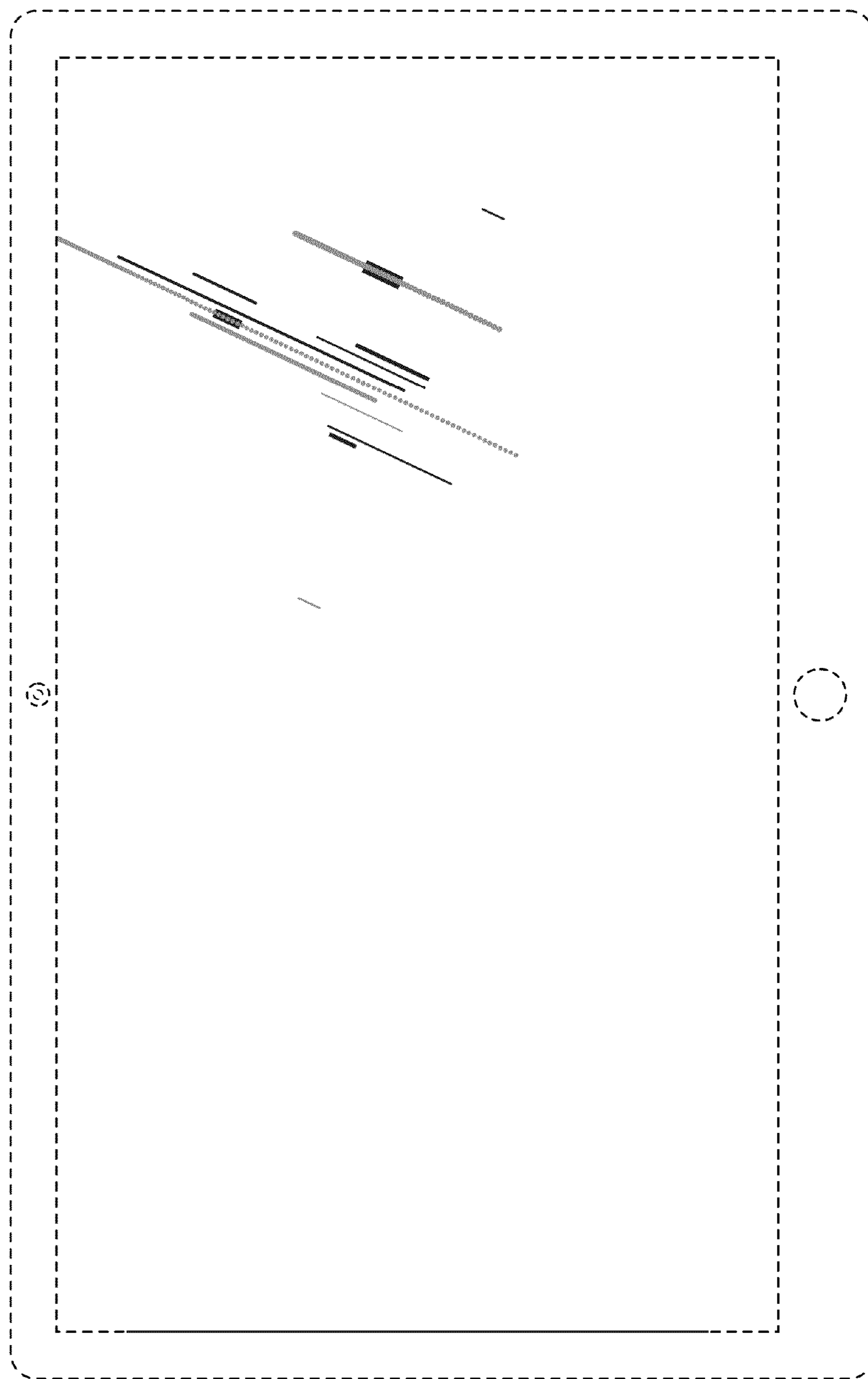


FIG. 52

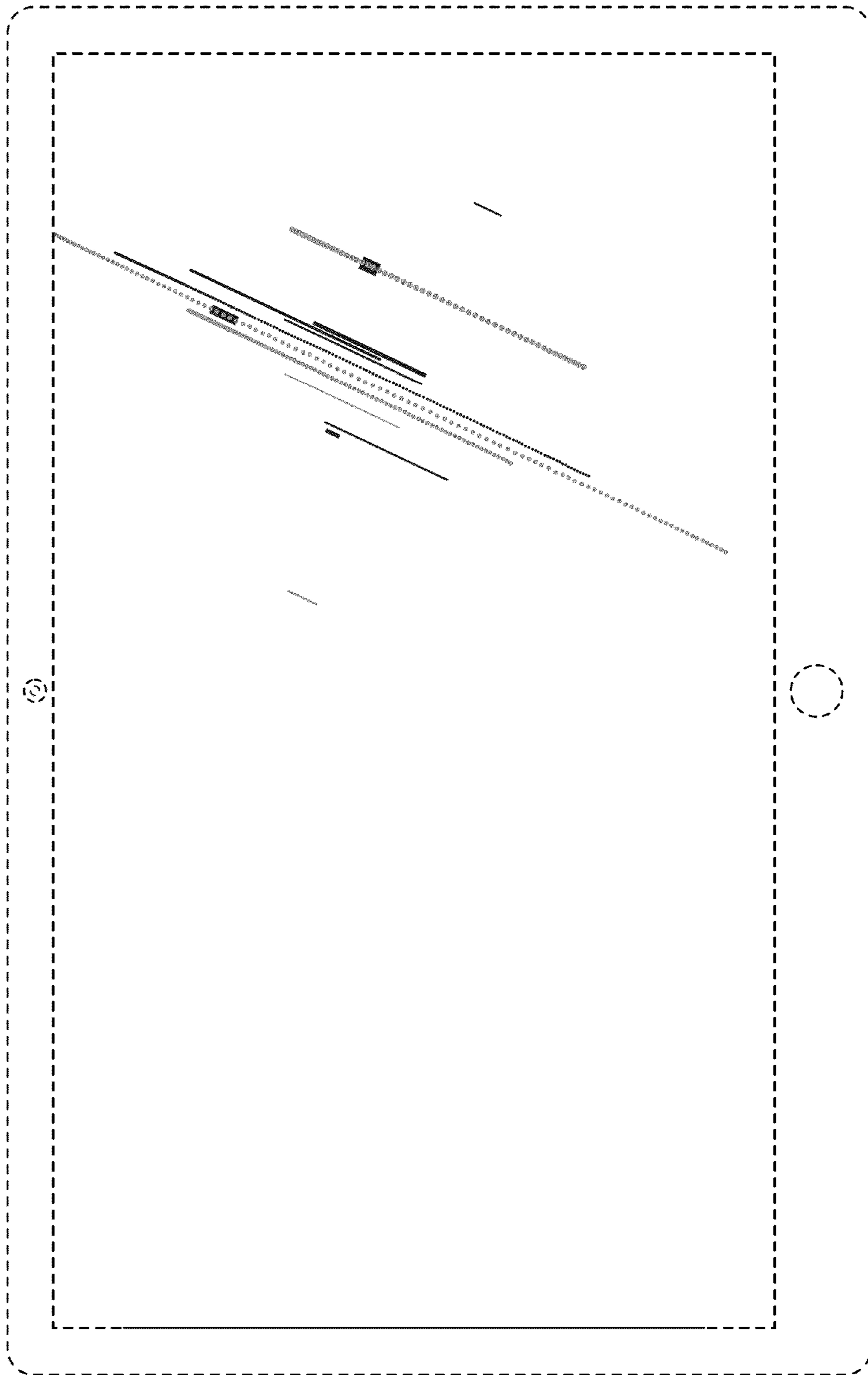


FIG. 53

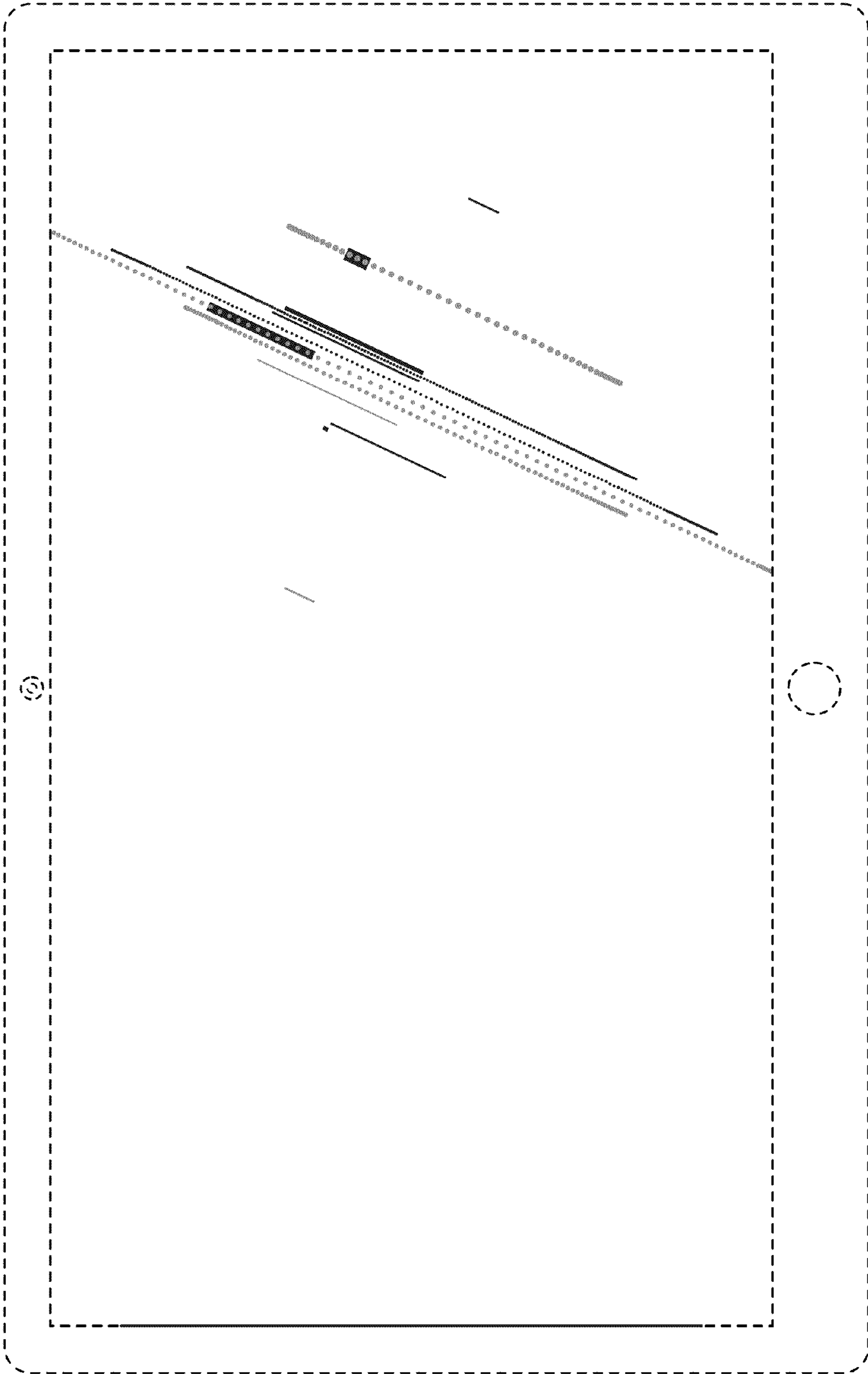


FIG. 54

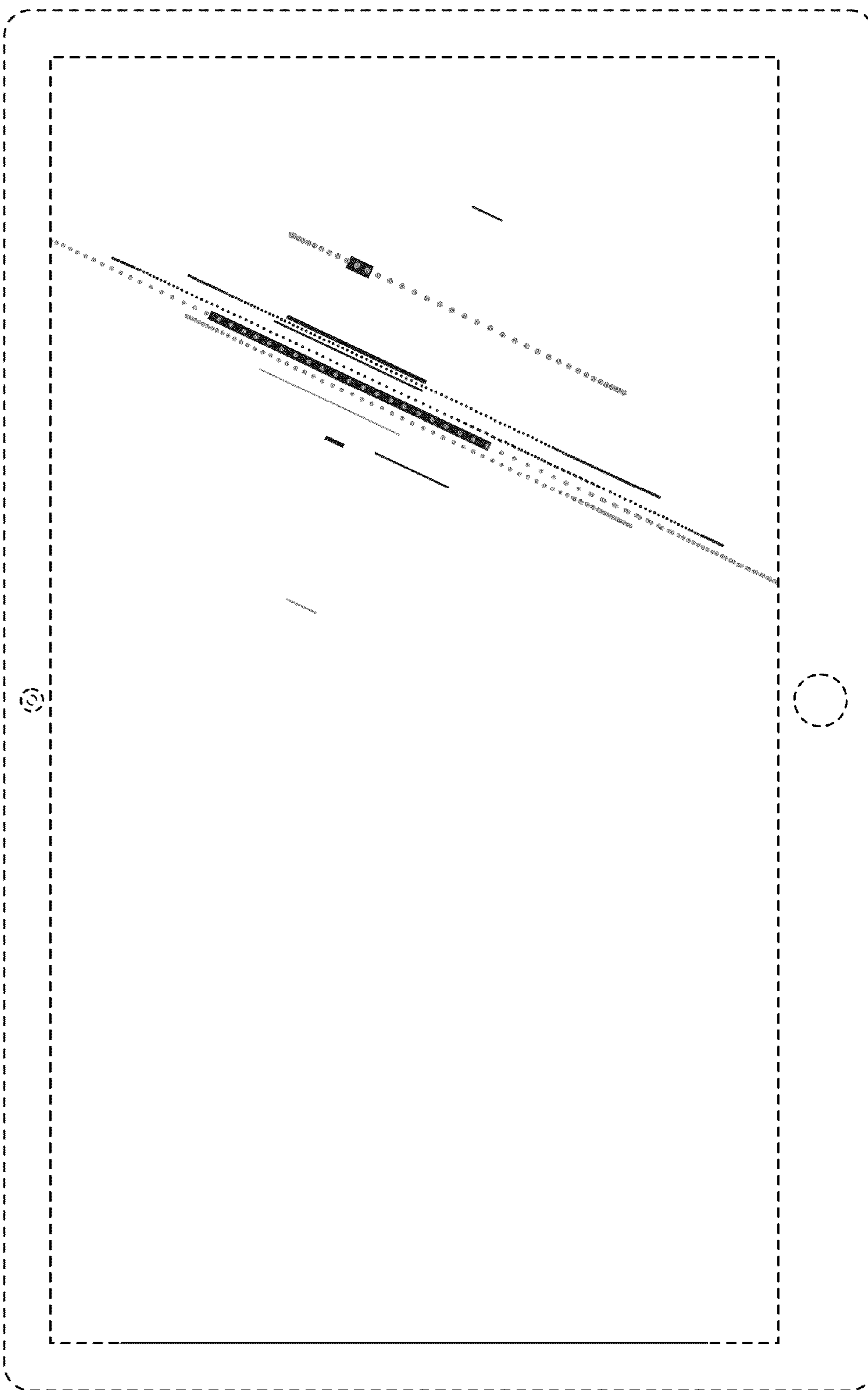


FIG. 55

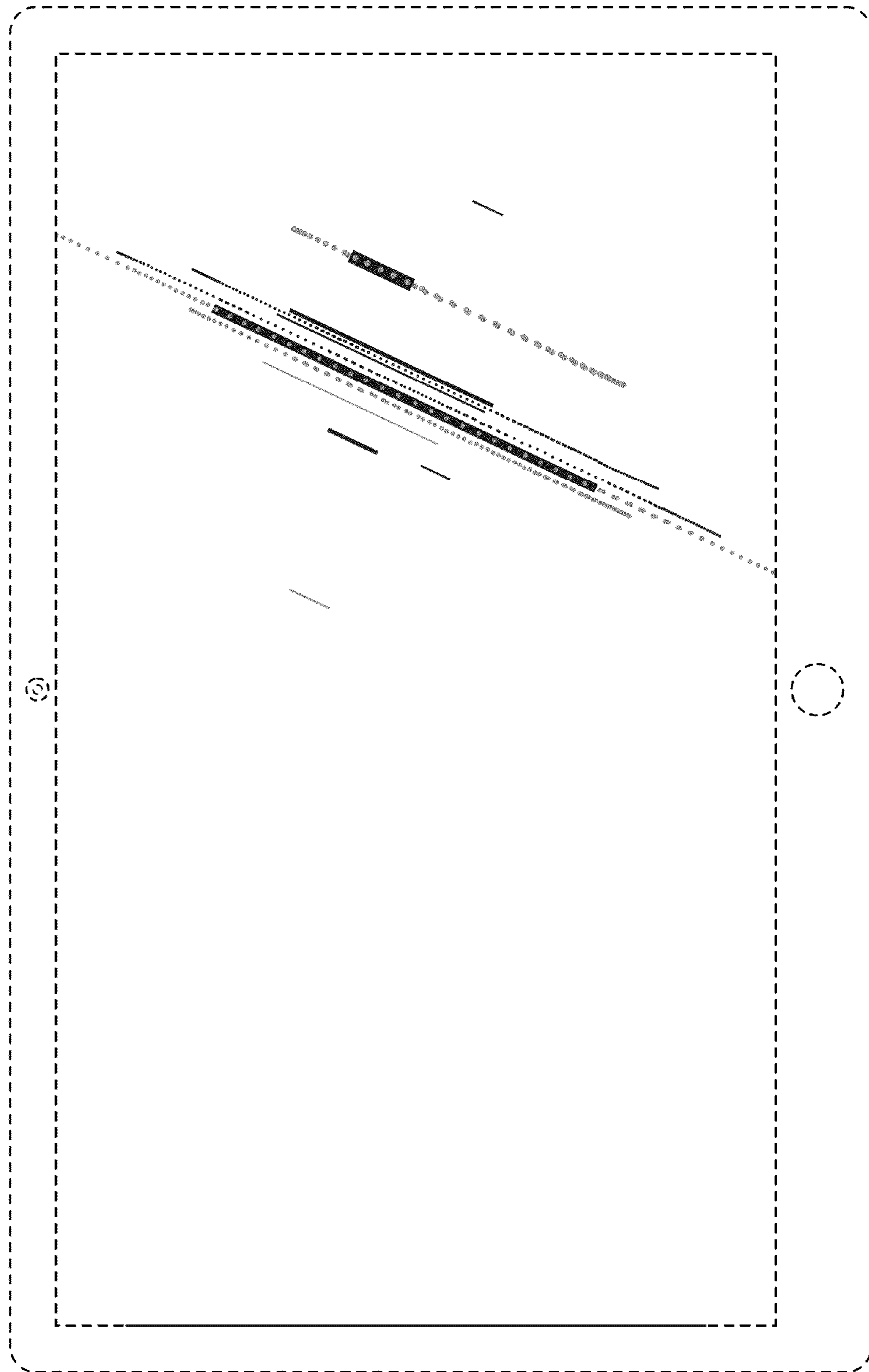


FIG. 56

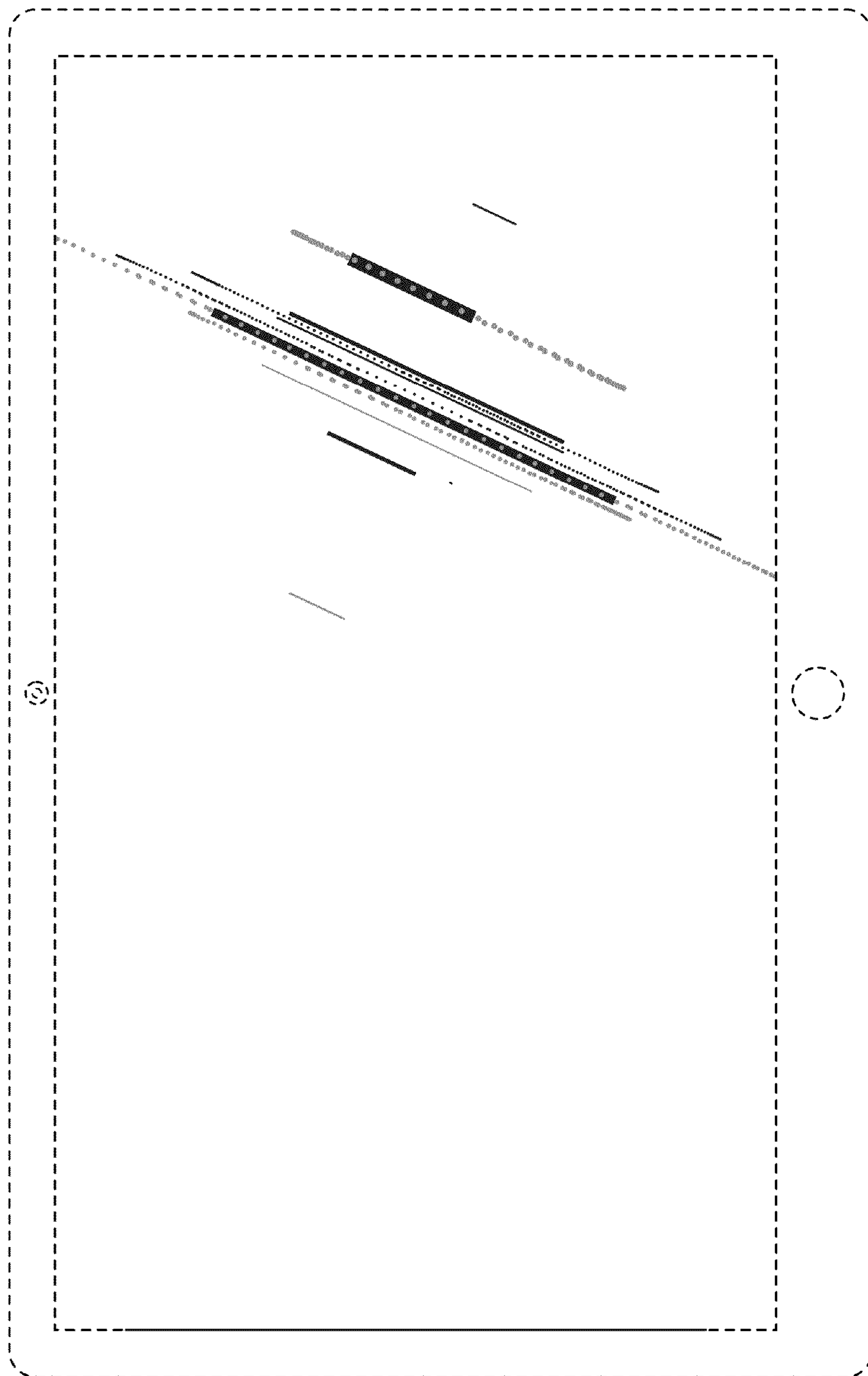


FIG. 57

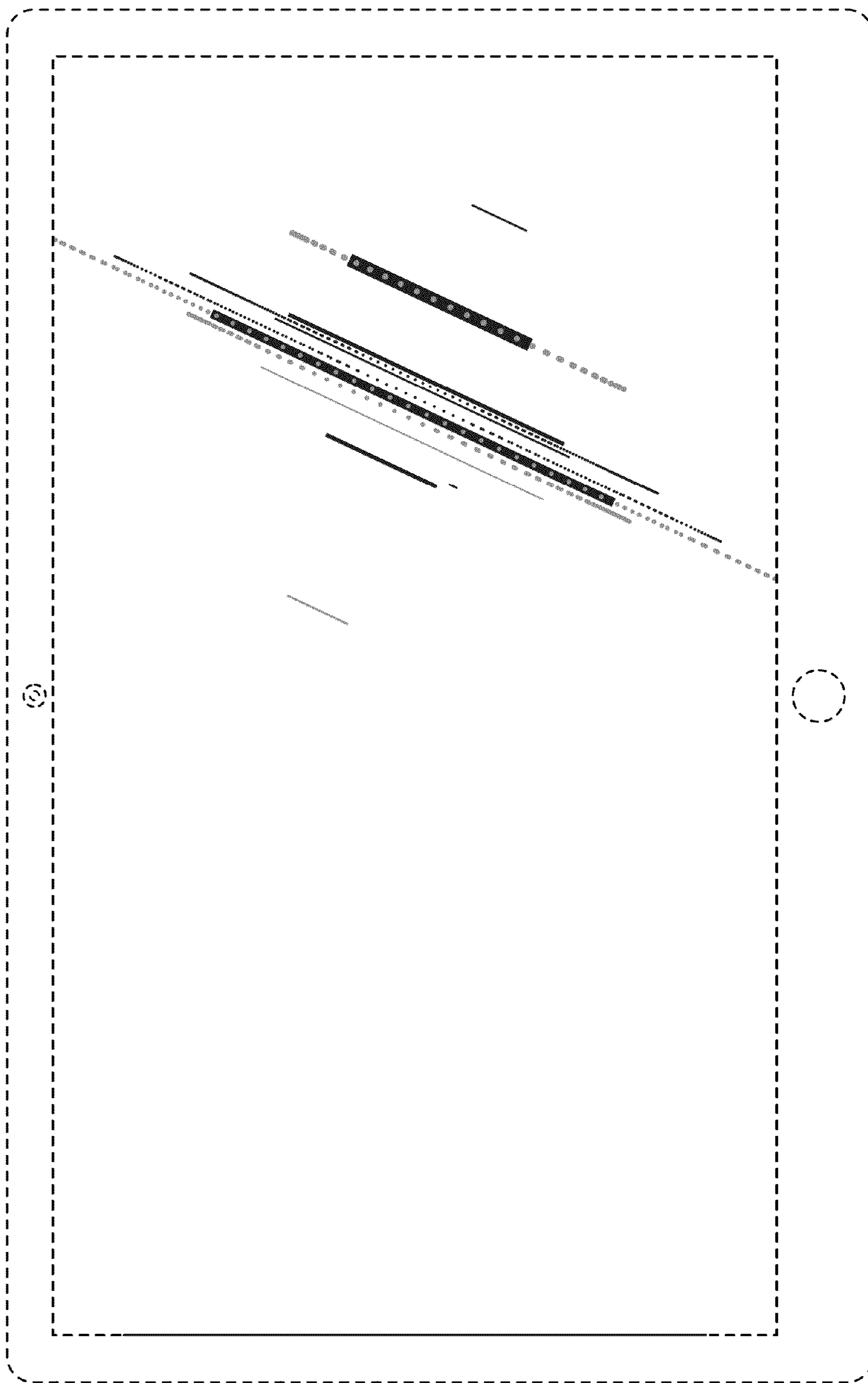


FIG. 58

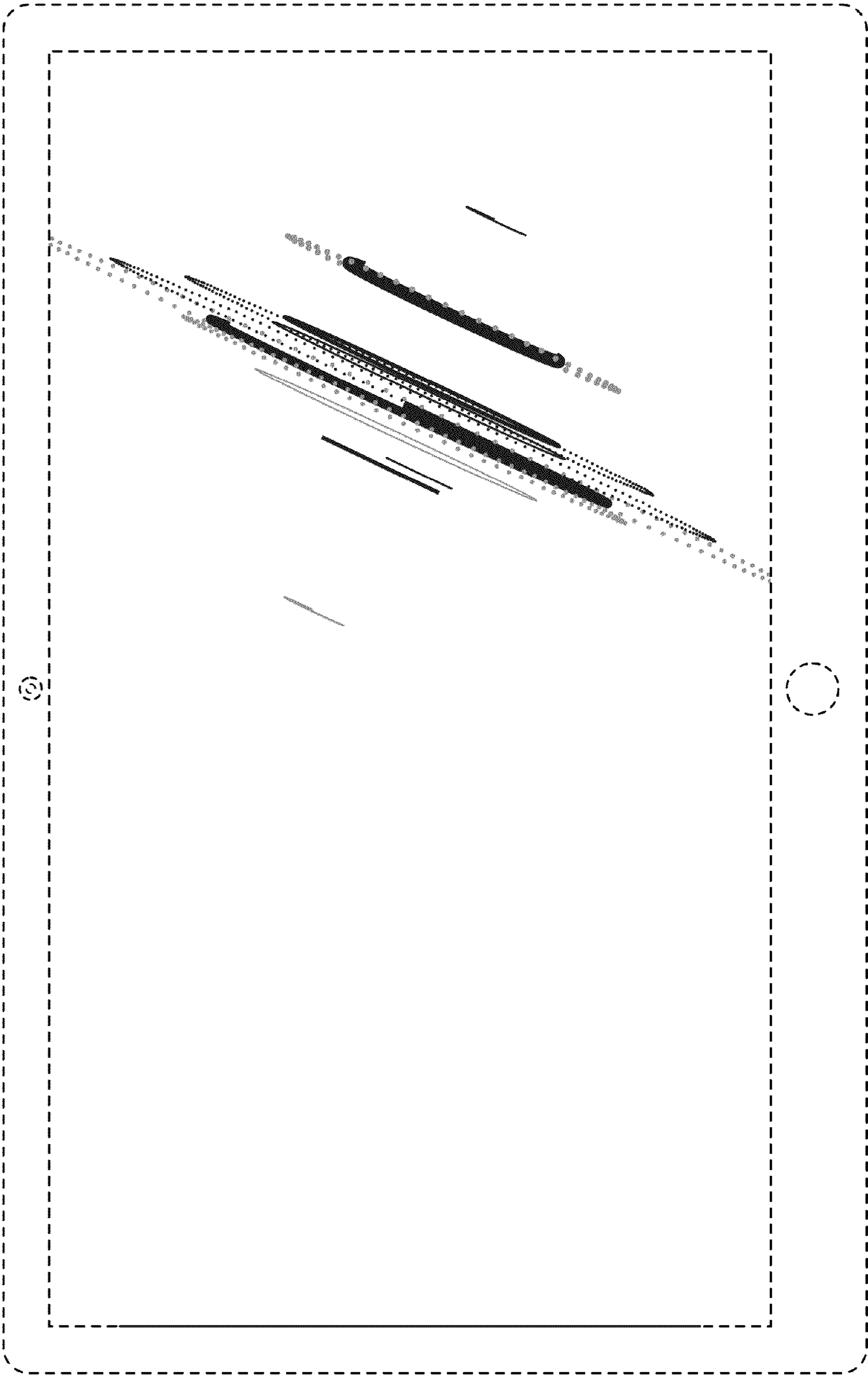


FIG. 59

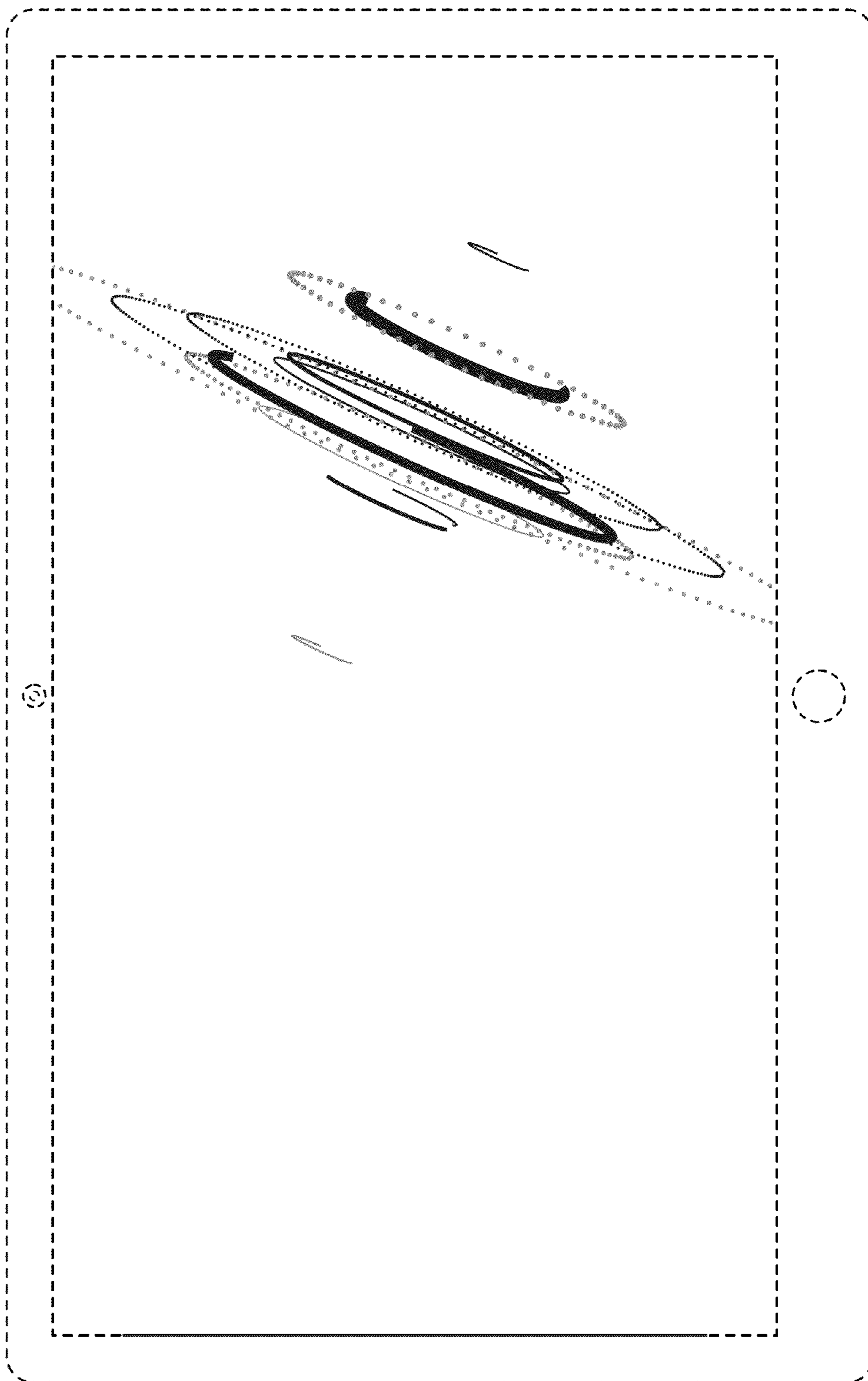


FIG. 60

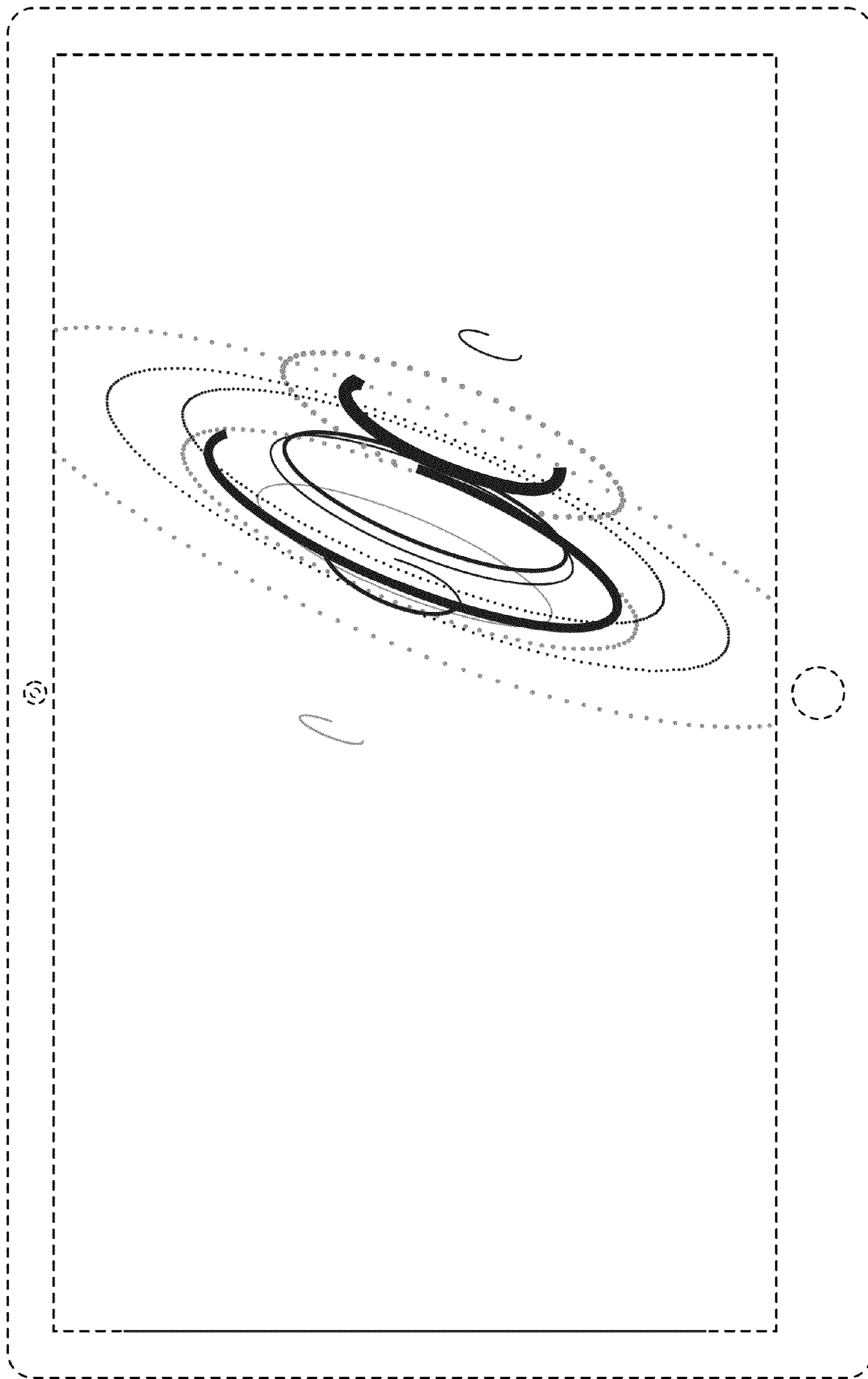


FIG. 61

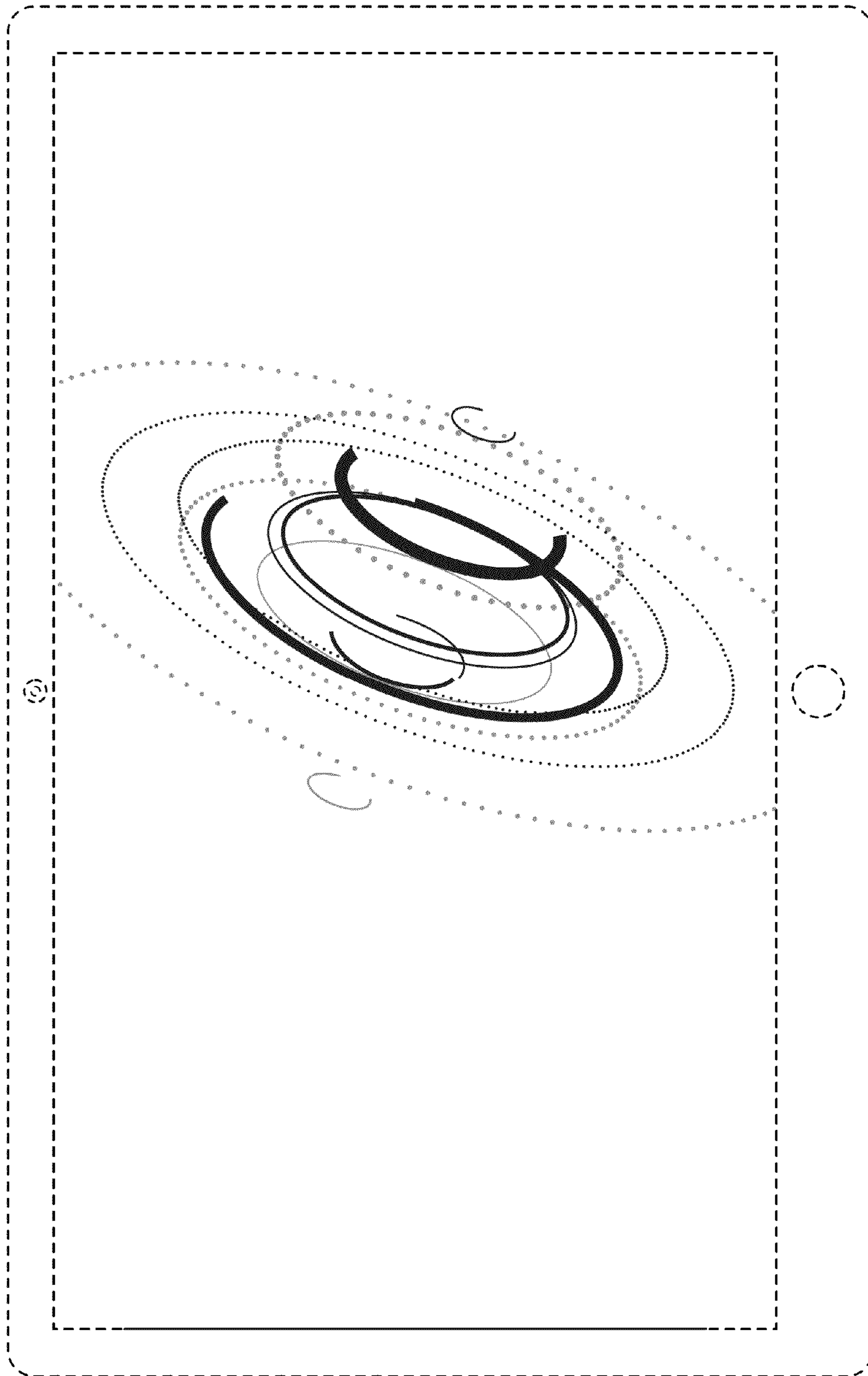


FIG. 62

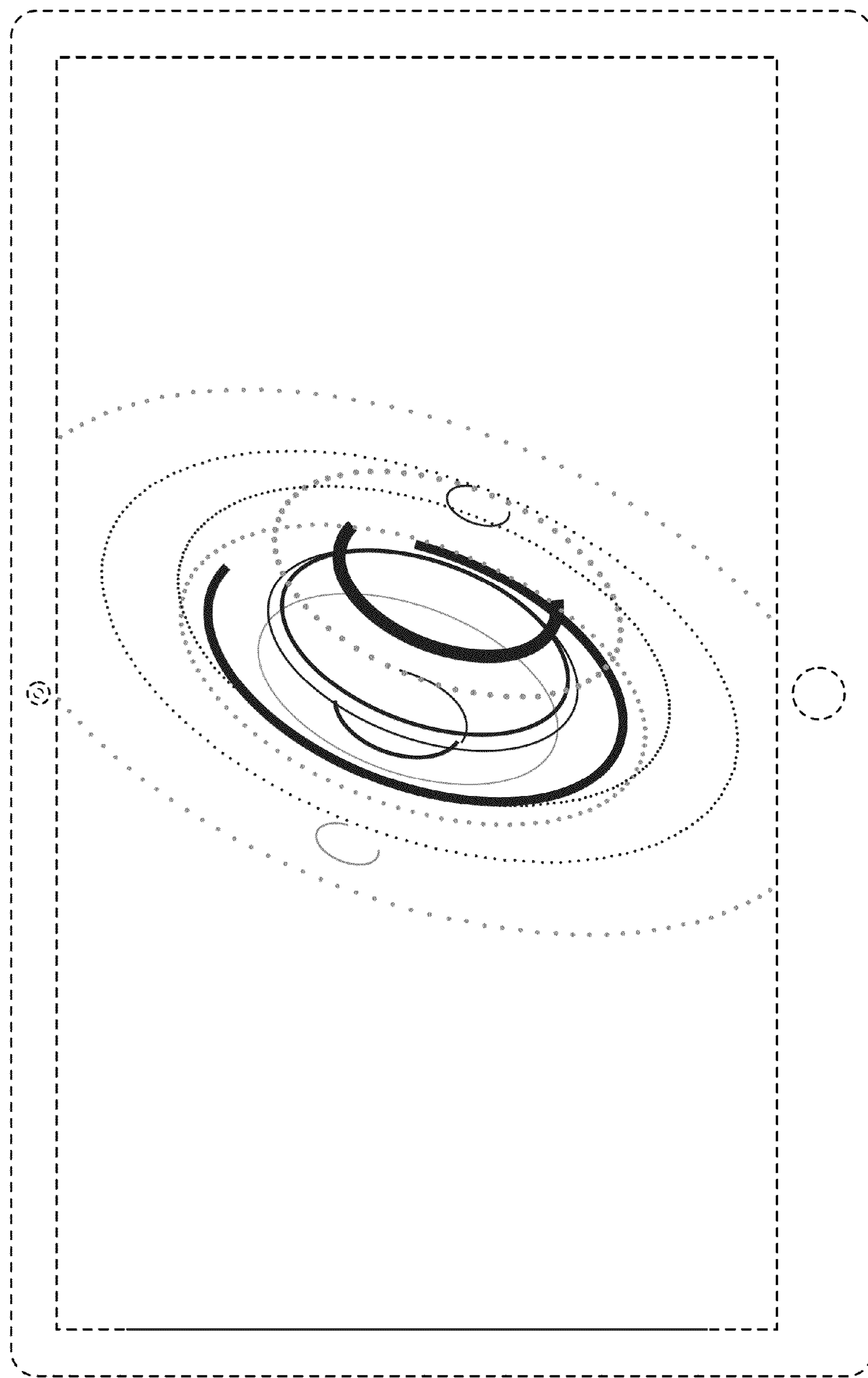


FIG. 63

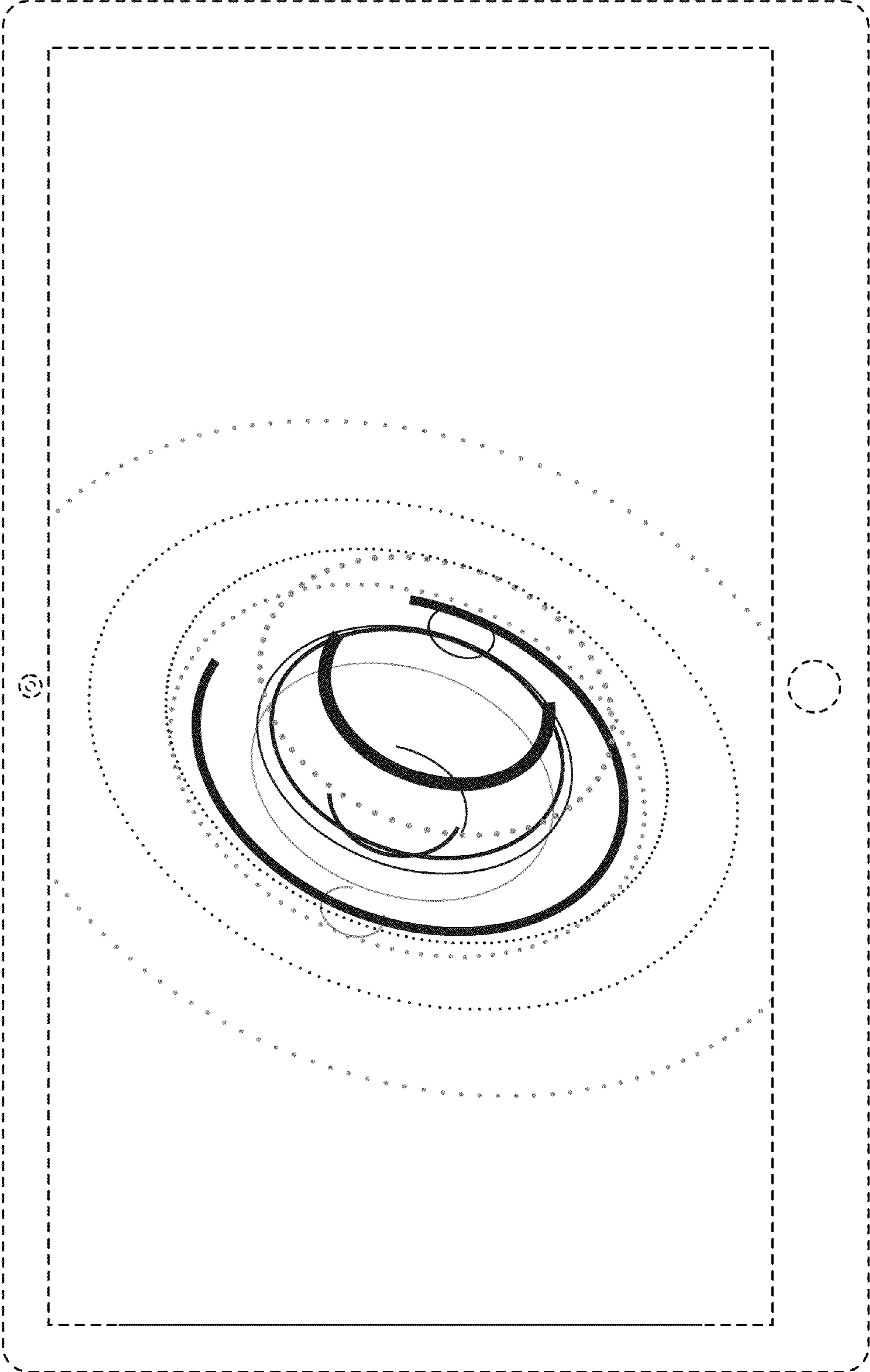


FIG. 64

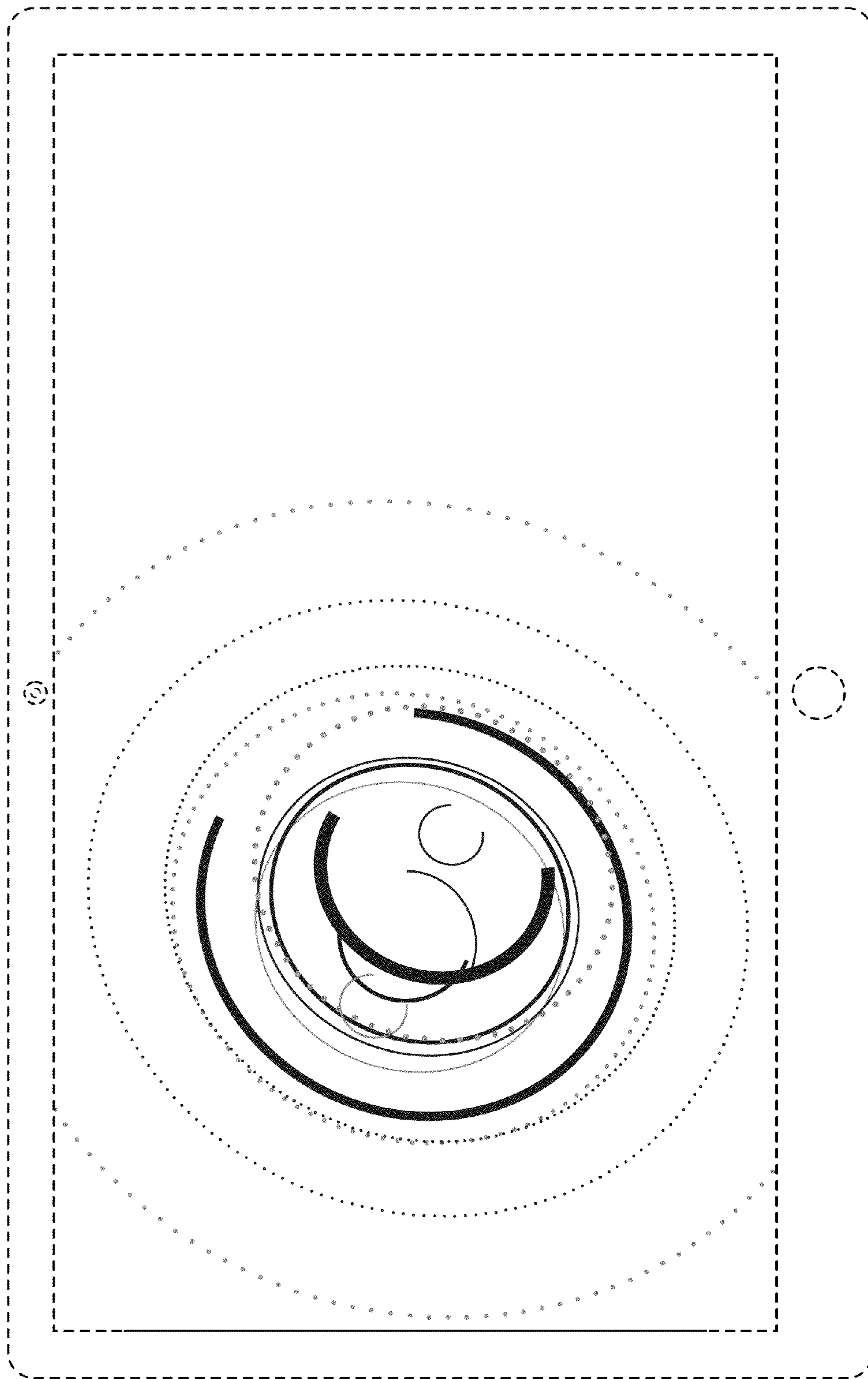


FIG. 65

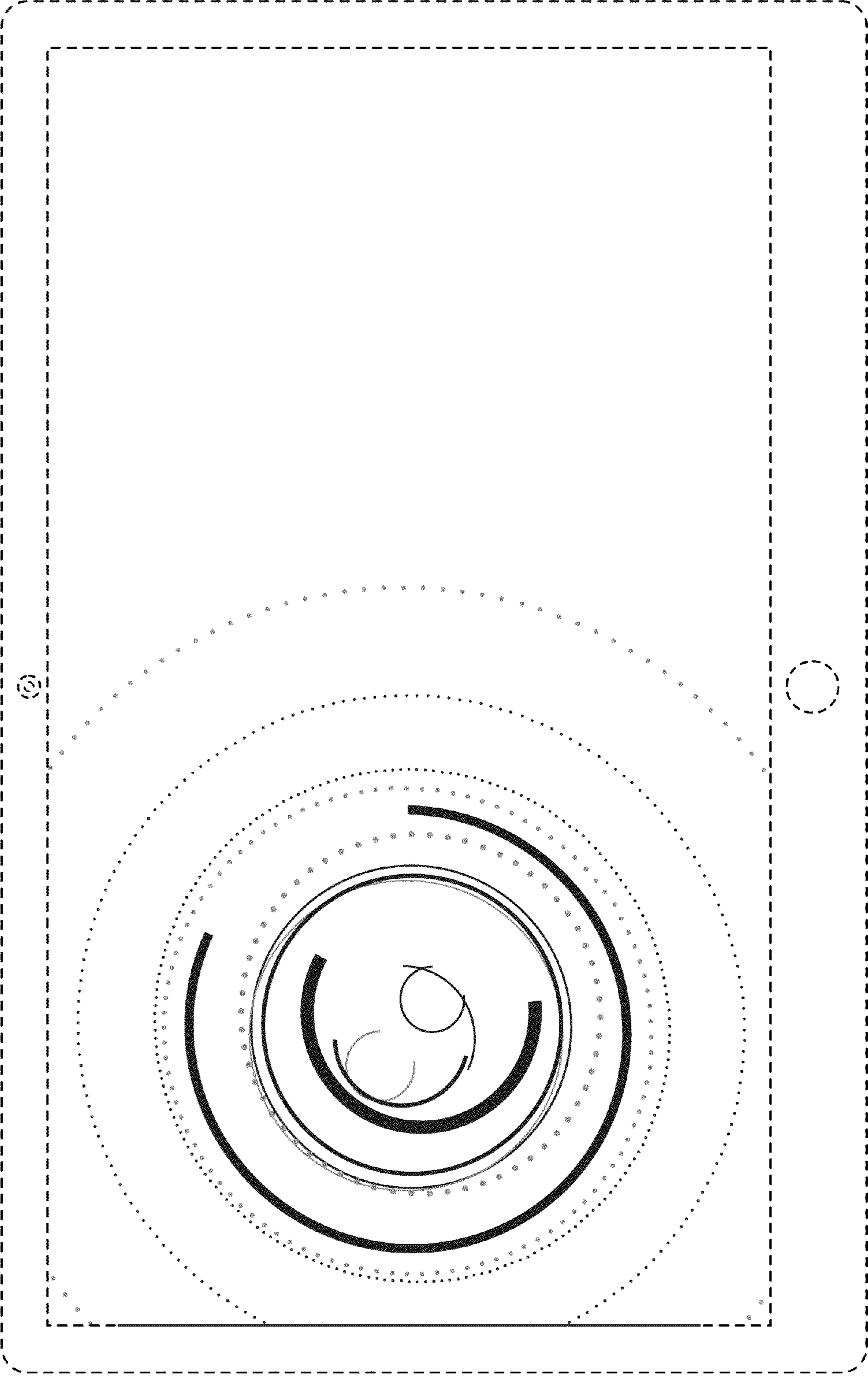


FIG. 66

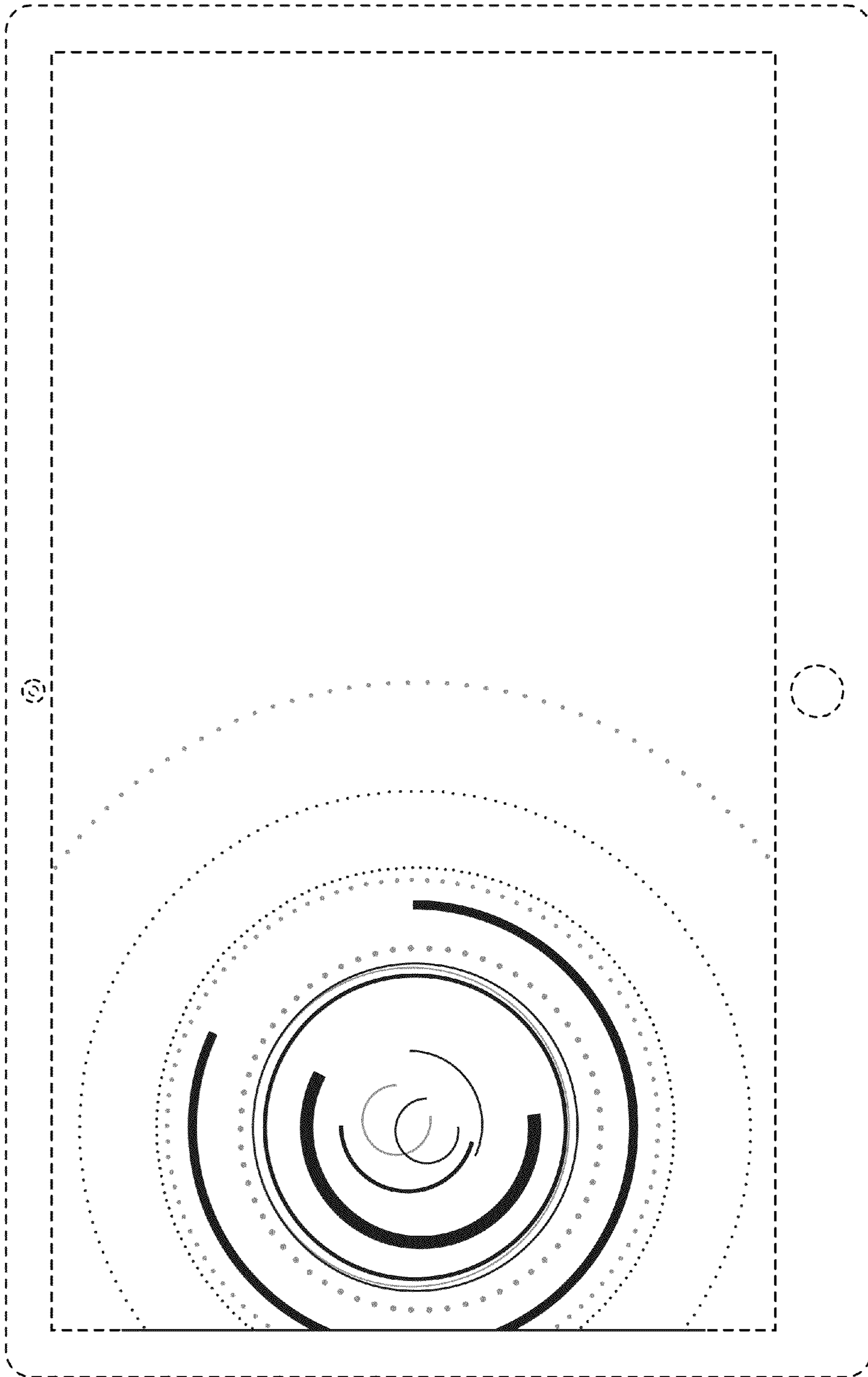


FIG. 67

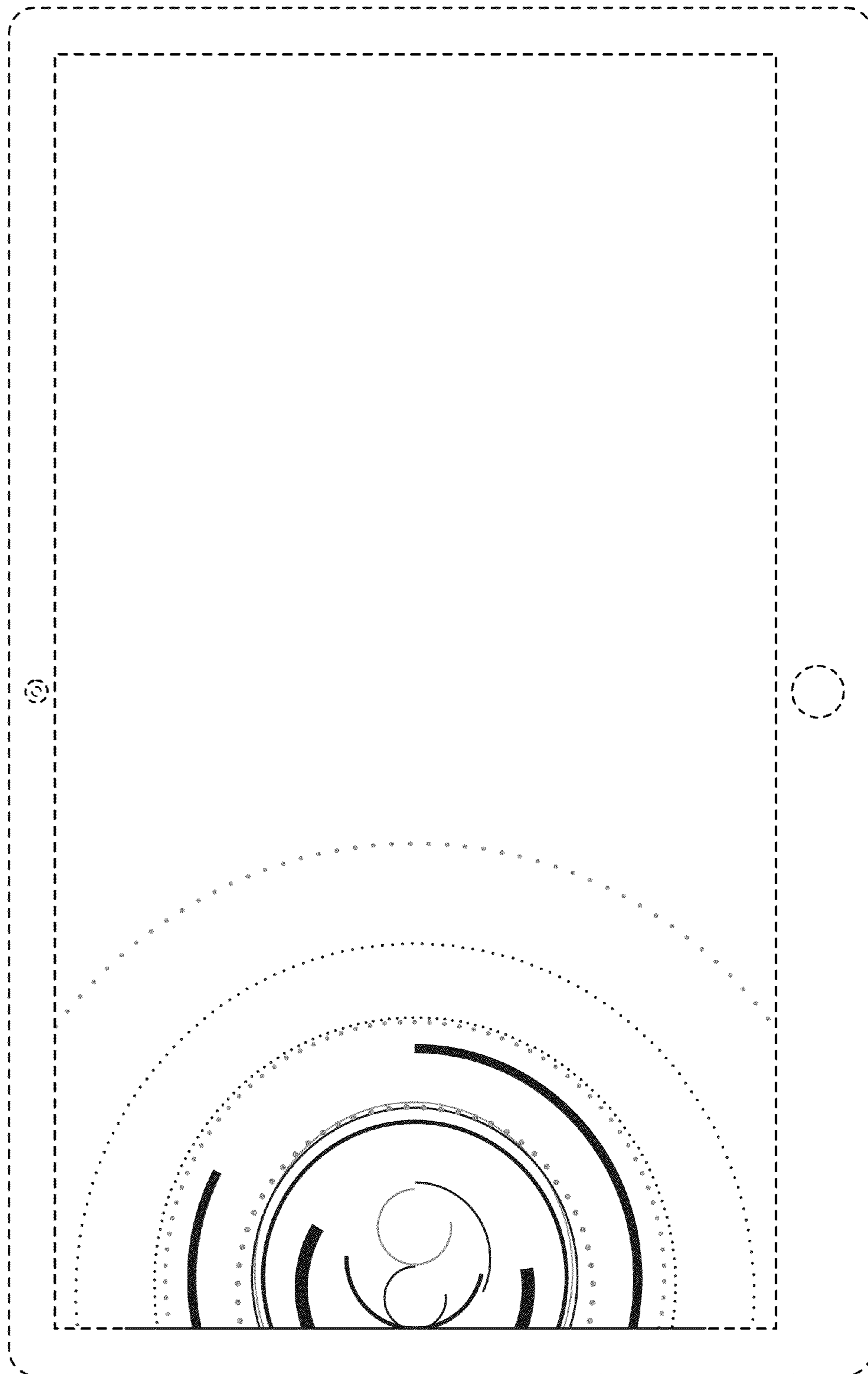


FIG. 68

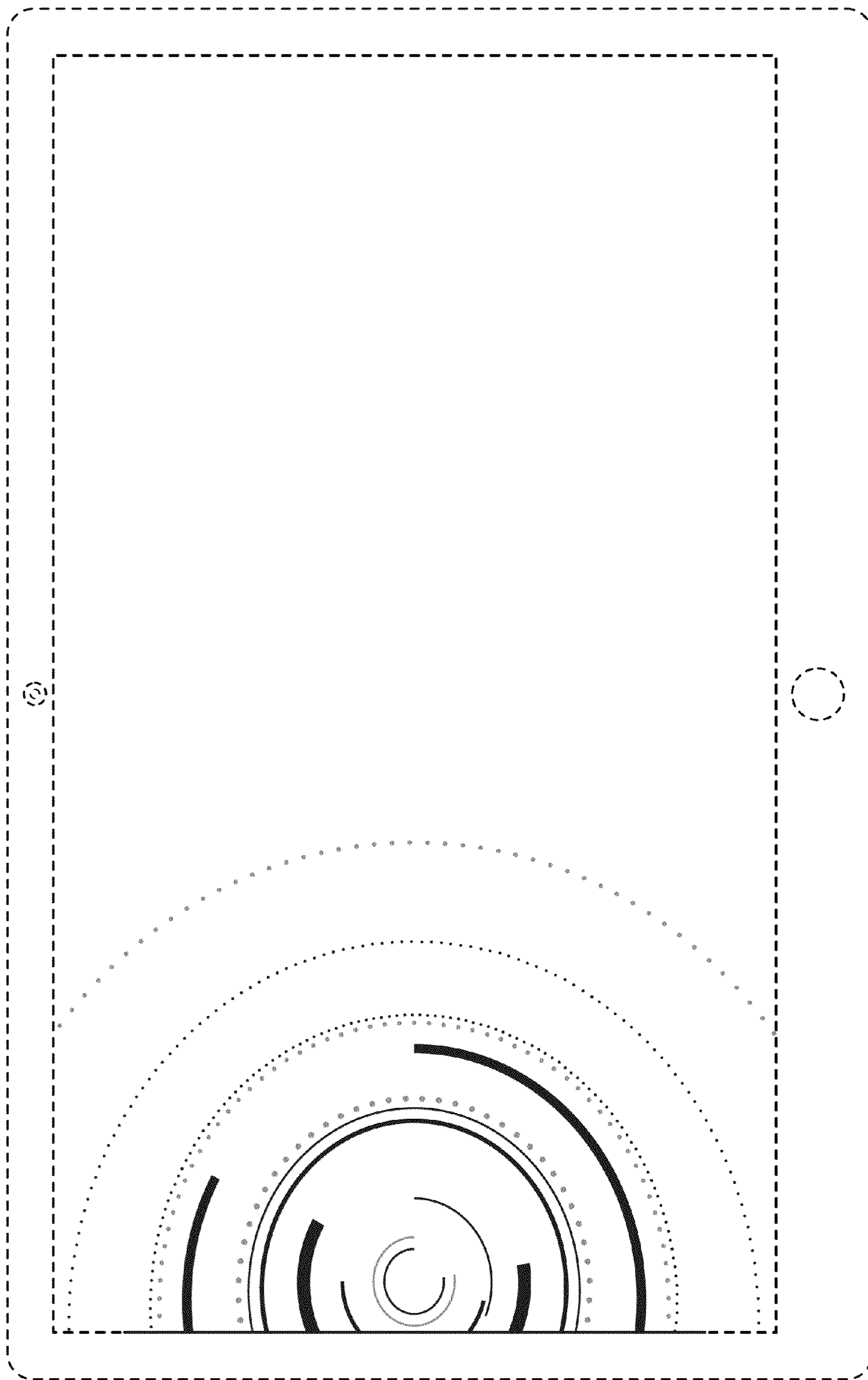


FIG. 69