



US00D712919S

(12) **United States Design Patent**  
**Lee et al.**

(10) **Patent No.:** **US D712,919 S**  
(45) **Date of Patent:** **\*\* Sep. 9, 2014**

(54) **DISPLAY SCREEN OR PORTION THEREOF WITH GENERATED IMAGE**

(71) Applicant: **Samsung Electronics Co., Ltd.**,  
Suwon-si (KR)

(72) Inventors: **HyungDo Lee**, Seoul (KR); **Kwang-Soo Ha**, Seoul (KR); **HeeJeong Kim**, Seoul (KR)

(73) Assignee: **Samsung Electronics Co., Ltd.**,  
Suwon-si (KR)

(\*\*) Term: **14 Years**

(21) Appl. No.: **29/433,355**

(22) Filed: **Sep. 28, 2012**

(51) **LOC (10) Cl.** ..... **14-04**

(52) **U.S. Cl.**  
USPC ..... **D14/487**

(58) **Field of Classification Search**  
CPC ..... G06F 3/04817  
USPC ..... D14/485, 486, 487, 488, 489, 490, 491,  
D14/492, 493; 715/810, 835, 836, 837, 838,  
715/839, 840, 846, 847; D20/11  
See application file for complete search history.

(56) **References Cited**

**U.S. PATENT DOCUMENTS**

D536,342	S	*	2/2007	Stabb	.....	D14/487
D550,689	S	*	9/2007	Vigesaa	.....	D14/487
D588,150	S	*	3/2009	Stone et al.	.....	D14/486
D638,026	S	*	5/2011	Rechin et al.	.....	D14/487
D660,313	S	*	5/2012	Williams et al.	.....	D14/487
D663,313	S	*	7/2012	David et al.	.....	D14/487
D664,979	S	*	8/2012	Barcheck et al.	.....	D14/487
D670,722	S	*	11/2012	Yang et al.	.....	D14/486
D675,639	S	*	2/2013	Anzures et al.	.....	D14/487

D686,635	S	*	7/2013	Cranfill	.....	D14/486
D694,251	S	*	11/2013	Nishizawa et al.	.....	D14/485
D699,731	S	*	2/2014	Chand et al.	.....	D14/485
D702,249	S	*	4/2014	Edwards et al.	.....	D14/487
D703,226	S	*	4/2014	Carter et al.	.....	D14/487
D704,212	S	*	5/2014	Dellinger	.....	D14/487
D705,241	S	*	5/2014	Chen et al.	.....	D14/485
2004/0054985	A1	*	3/2004	Sewell	.....	717/109
2005/0248525	A1	*	11/2005	Asai	.....	345/156
2005/0278651	A1	*	12/2005	Coe et al.	.....	715/779
2010/0053102	A1	*	3/2010	Gelling et al.	.....	345/173
2010/0235784	A1	*	9/2010	Ording et al.	.....	715/810

\* cited by examiner

*Primary Examiner* — Cynthia Underwood  
(74) *Attorney, Agent, or Firm* — NSIP Law

(57) **CLAIM**

The ornamental design for a display screen or portion thereof with generated image, as shown and described.

**DESCRIPTION**

FIG. 1 is a front view of a display screen or portion thereof with generated image, showing my new design; FIG. 2 is an enlarged view of a portion of the claim taken from line 2-2 in FIG. 1; FIG. 3 is a front view of a second embodiment of FIG. 1; and, FIG. 4 is a front view of a third embodiment of FIG. 1. The dash-dash broken line immediately adjacent and connecting the horizontal solid-line portions of the design represents an unclaimed boundary of the design. The broken line drawing of the device, symbol and otherwise images shown in broken lines in the generated image of FIGS. 1 through 3 are for illustrative purposes only and form no part of the claimed design. The size, scale, and location of the generated image of FIGS. 1 through 3 are for illustrative purposes and forms no part of the claimed design.

**1 Claim, 4 Drawing Sheets**

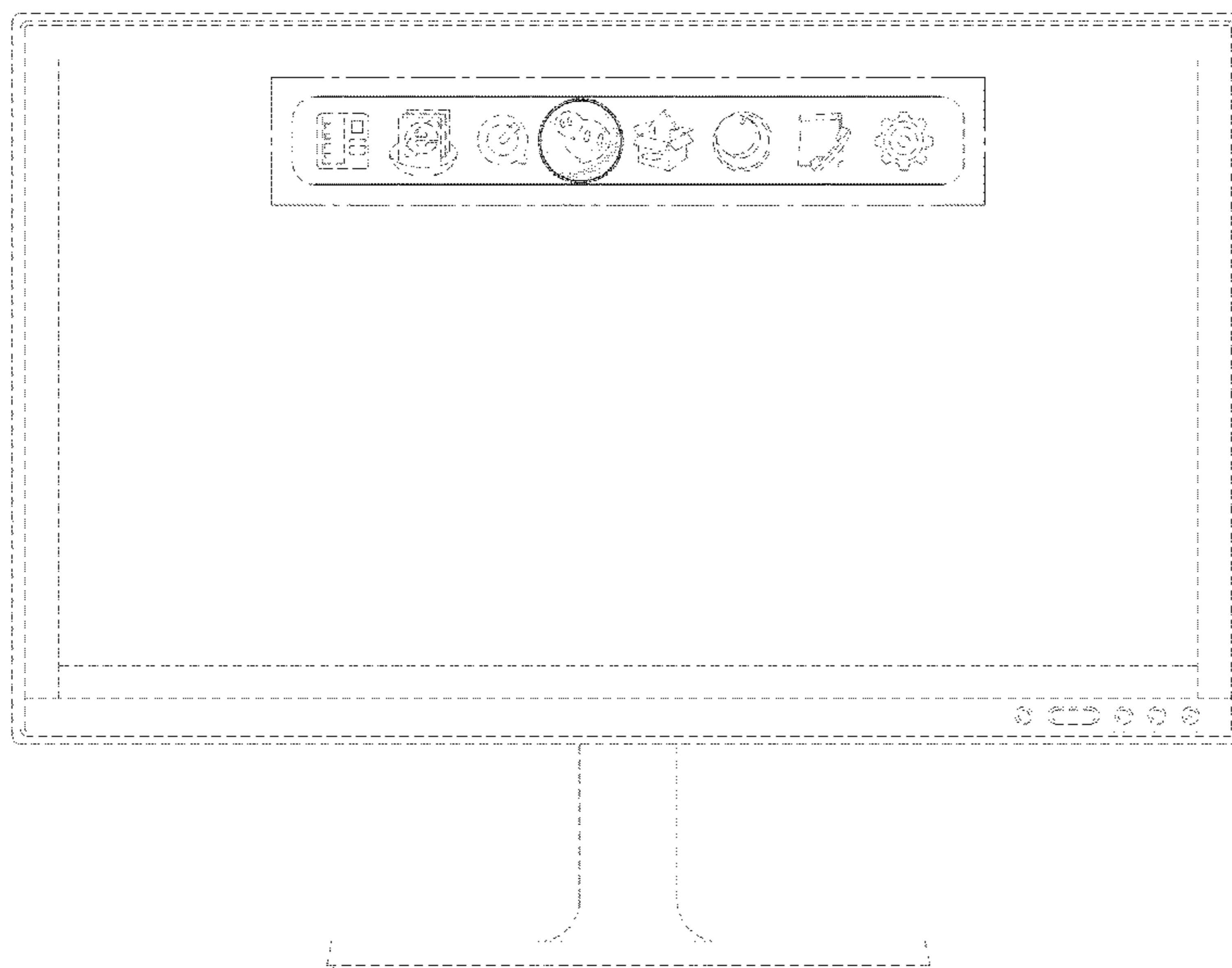
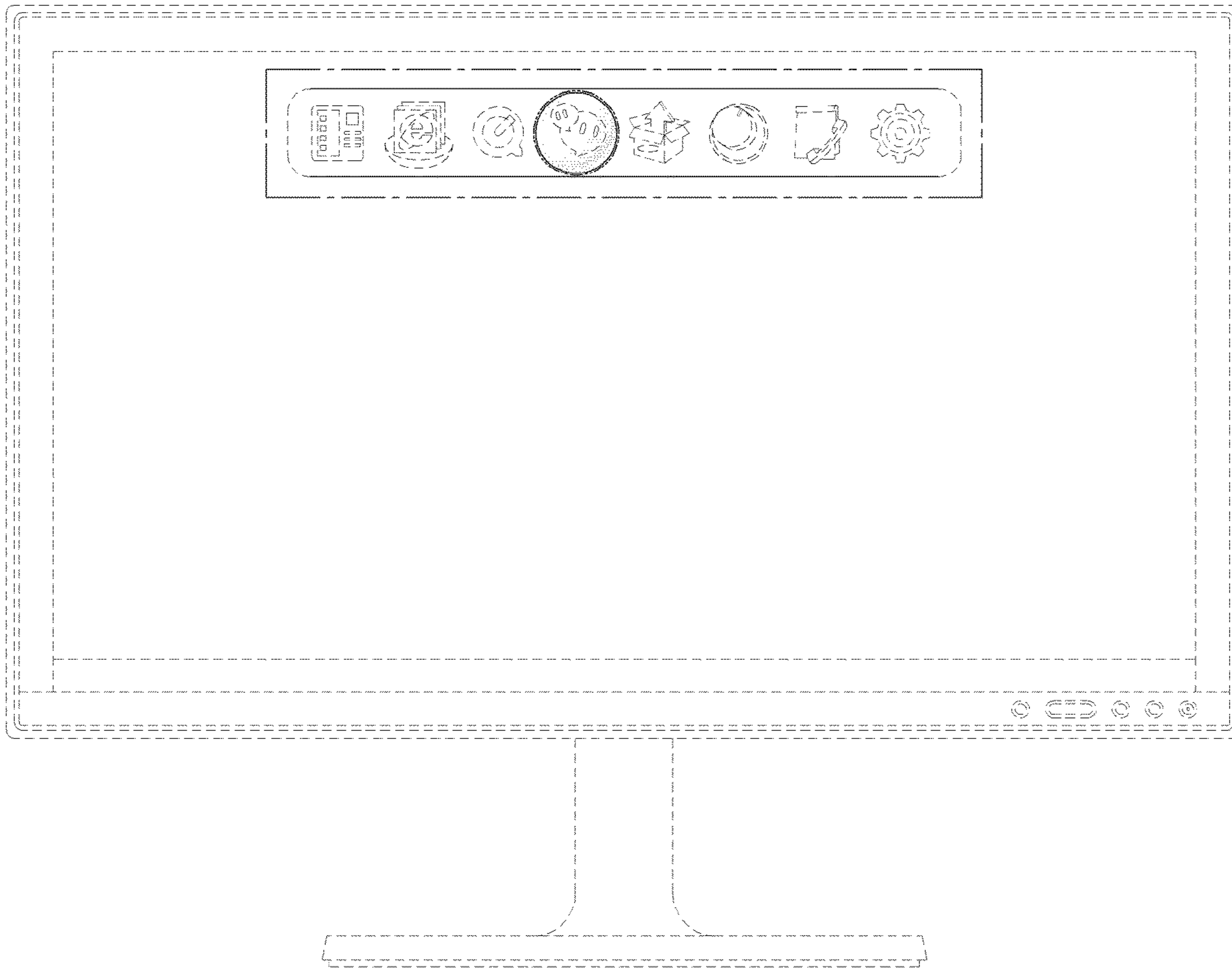
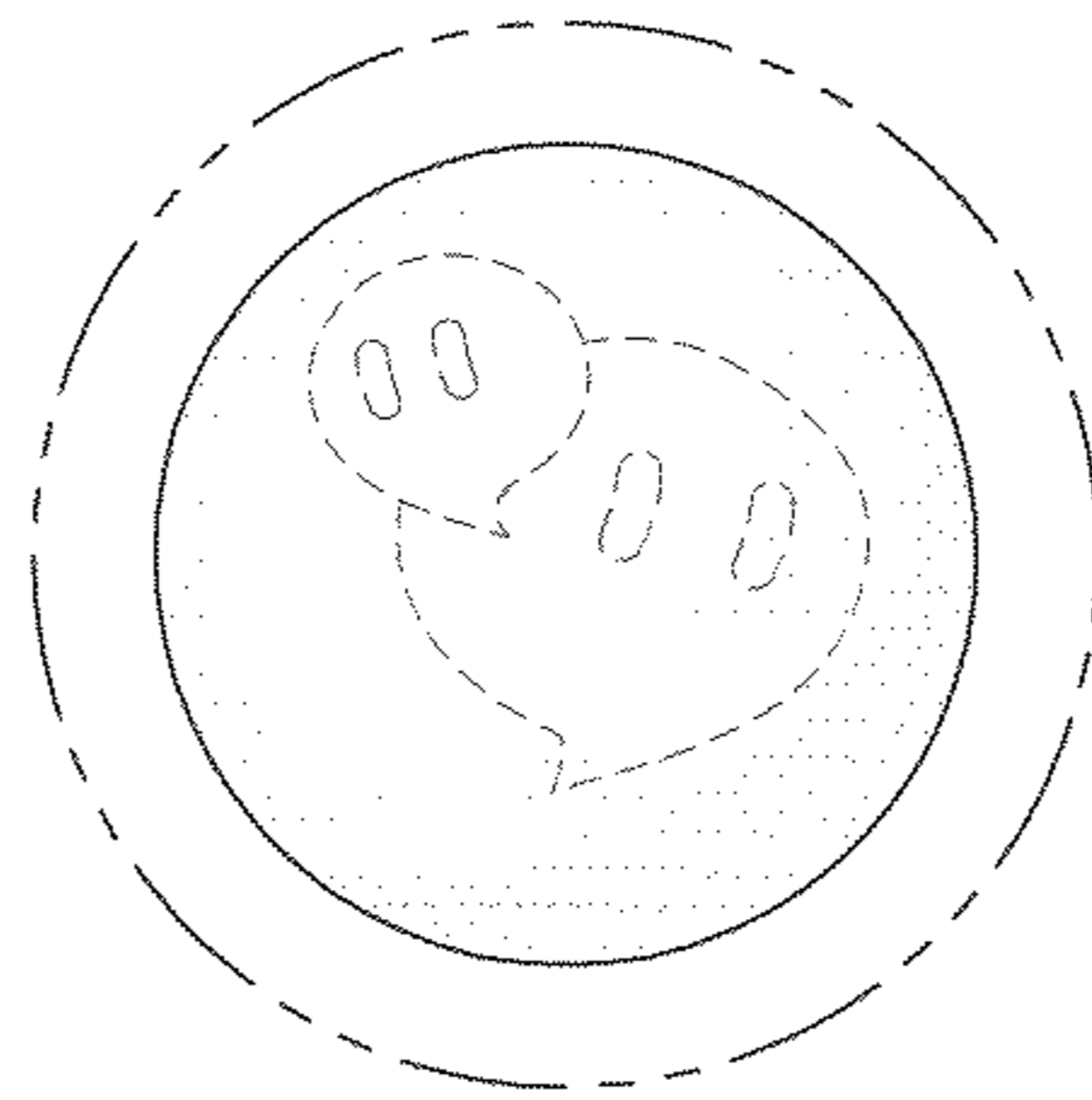


FIG. 1



**FIG. 2**



**FIG. 3**

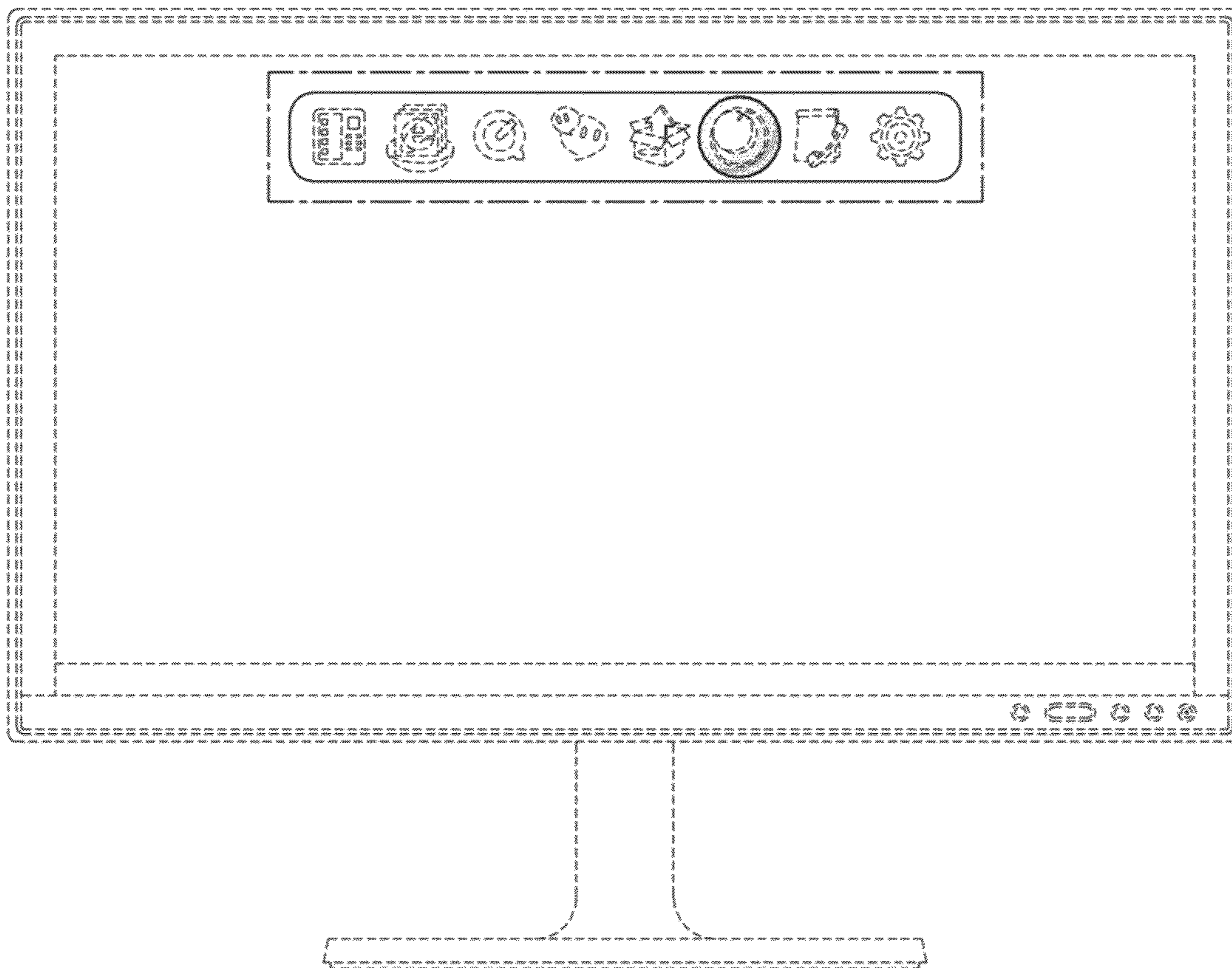


FIG. 4

