



US00D712917S

(12) **United States Design Patent**  
**Lee et al.**

(10) **Patent No.:** **US D712,917 S**  
(45) **Date of Patent:** **\*\* Sep. 9, 2014**

(54) **DISPLAY OF MOBILE PHONE WITH TRANSITIONAL GRAPHICAL USER INTERFACE**

D565,579 S \* 4/2008 Gunn et al. .... D14/485  
D567,249 S \* 4/2008 Gunn et al. .... D14/485  
D569,384 S \* 5/2008 Yoon et al. .... D14/487

(Continued)

(71) Applicant: **LG Electronics Inc.**, Seoul (KR)

*Primary Examiner* — Karen E Kearney

(72) Inventors: **Kunho Lee**, Seoul (KR); **Hana Jeong**, Incheon (KR); **Younghoon Kim**, Seoul (KR); **Kwanju Jung**, Seoul (KR)

(74) *Attorney, Agent, or Firm* — Birch, Stewart, Kolasch & Birch, LLP

(73) Assignee: **LG Electronics Inc.**, Seoul (KR)

(57) **CLAIM**

The ornamental design for a display of mobile phone with transitional graphical user interface, as shown and described.

(\*\*) Term: **14 Years**

**DESCRIPTION**

(21) Appl. No.: **29/447,756**

FIG. 1 is a front view of a first image in a sequence for a display of mobile phone with transitional graphical user interface.

(22) Filed: **Mar. 6, 2013**

FIG. 2 is a front view of a second image thereof;

(30) **Foreign Application Priority Data**

Sep. 7, 2012 (KR) ..... 30-2012-0043270

FIG. 3 is a front view of a third image thereof;

(51) **LOC (10) Cl.** ..... **14-04**

FIG. 4 is a front view of a fourth image thereof;

(52) **U.S. Cl.**

USPC ..... **D14/486**; D14/494

FIG. 5 is a front view of a fifth image thereof;

(58) **Field of Classification Search**

CPC ..... G06F 3/04812; G06F 3/04883

FIG. 6 is a front view of a sixth image thereof;

USPC ..... D14/485–489, 492; 715/825, 861, 977

FIG. 7 is a front view of a seventh image thereof;

See application file for complete search history.

FIG. 8 is a front view of an eighth image thereof;

(56) **References Cited**

**U.S. PATENT DOCUMENTS**

5,784,056 A \* 7/1998 Nielsen ..... 715/856  
D402,645 S \* 12/1998 Garguilo ..... D14/492  
6,597,383 B1 \* 7/2003 Saito ..... 715/860  
D540,340 S \* 4/2007 Cummins et al. .... D14/486  
D544,492 S \* 6/2007 Rimas-Ribikauskas et al. .... D14/485

FIG. 9 is a front view of a ninth image thereof;

FIG. 10 is a front view of a tenth image thereof;

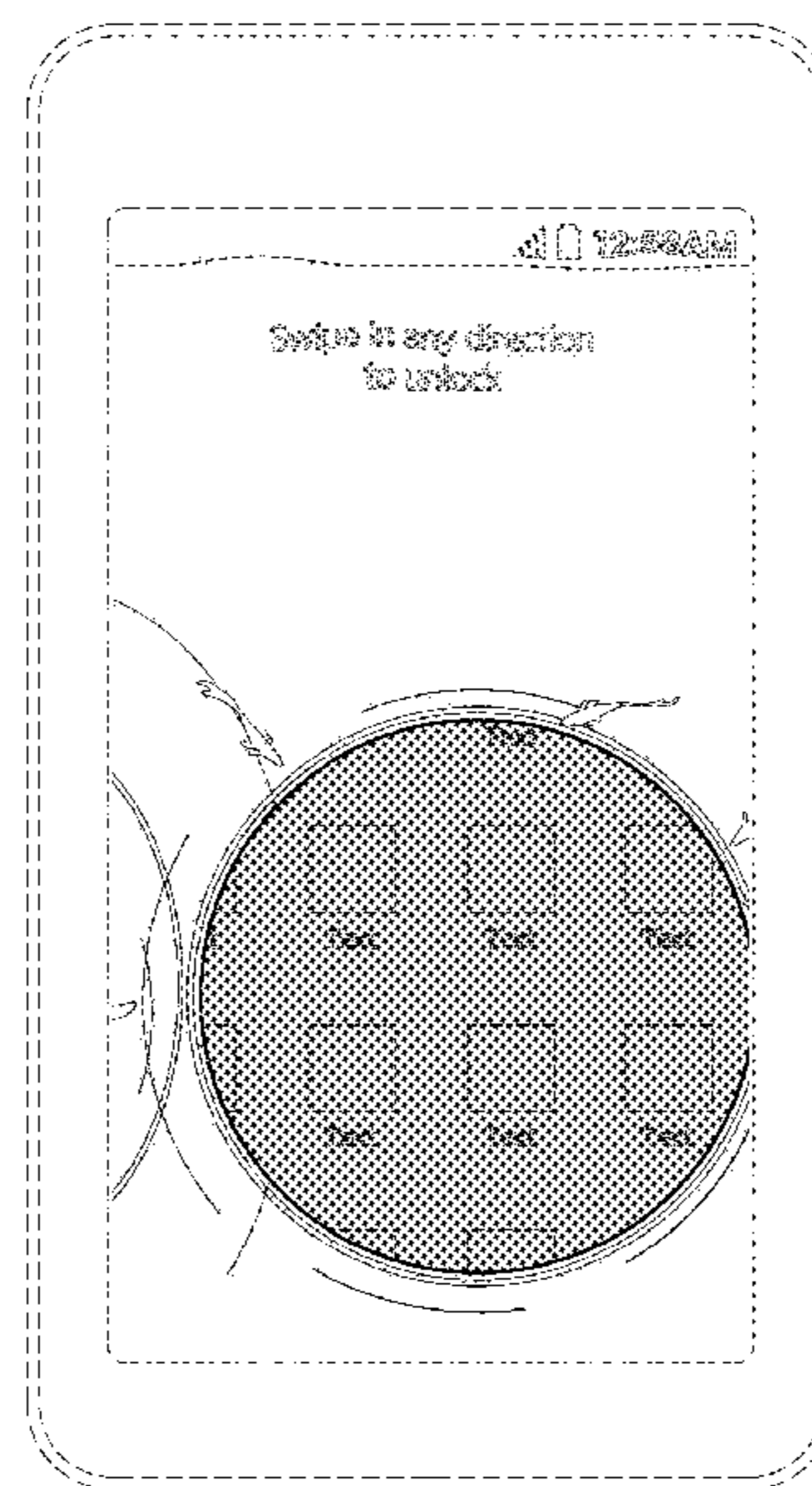
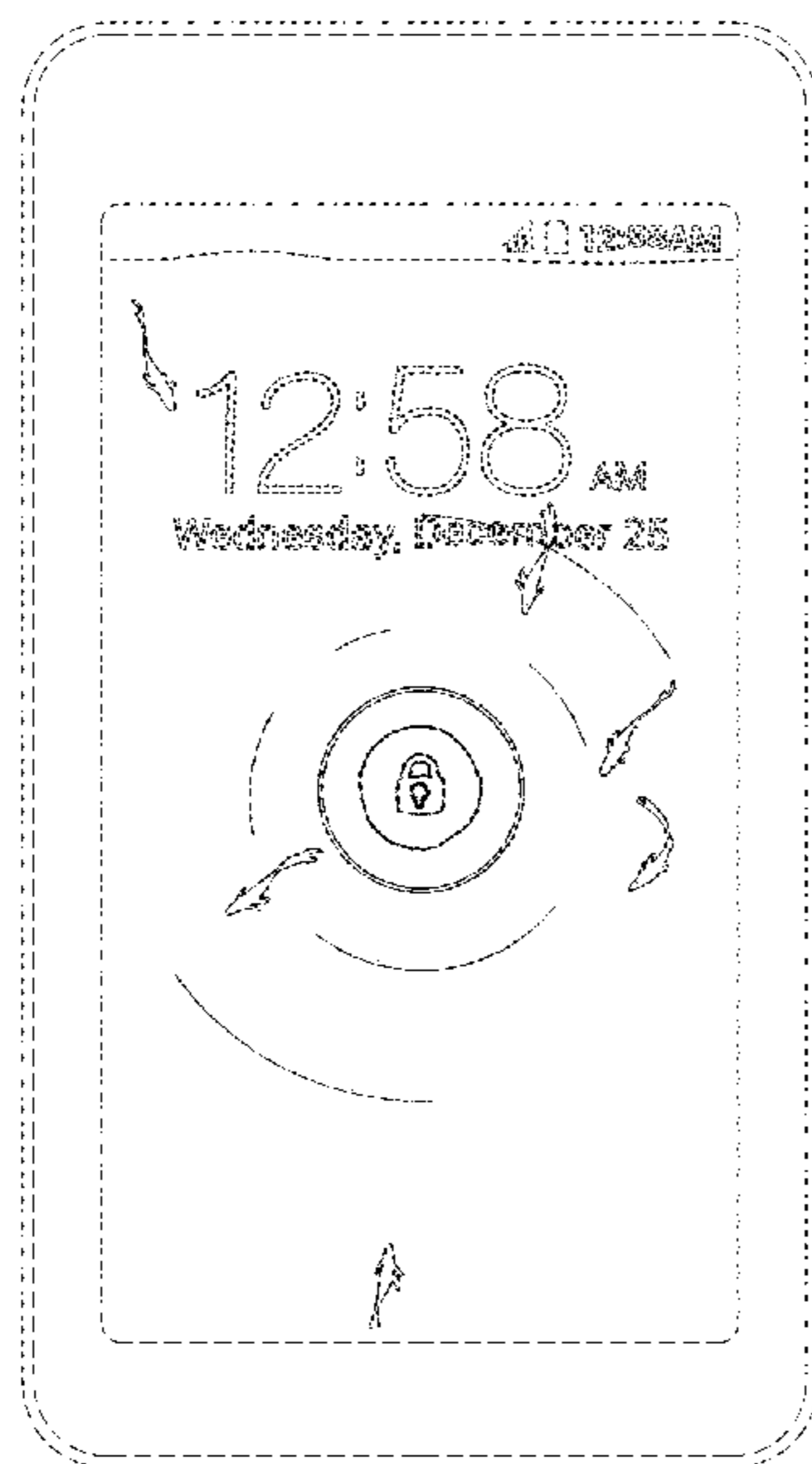
FIG. 11 is a front view of an eleventh image thereof; and,

FIG. 12 is a front view of a twelfth image.

The appearance of the transitional image sequentially transitions between the images shown in FIGS. 1-12. The process or period in which one image transitions to another image forms no part of the claimed design.

The broken line showings of the display, mobile phone, and portions of the graphical user interface are included for the purpose of illustrating environmental structure and form no part of the claimed design.

**1 Claim, 12 Drawing Sheets**



(56)

**References Cited**

U.S. PATENT DOCUMENTS

D574,389 S *	8/2008	Armendariz et al. ....	D14/486	8,271,047 B2 *	9/2012	Kim et al. ....	455/566
D582,934 S *	12/2008	Byeon .....	D14/486	8,453,055 B2 *	5/2013	Oh .....	715/702
D598,460 S *	8/2009	Hirsch et al. ....	D14/485	8,472,671 B2 *	6/2013	Kubota .....	382/103
D607,893 S *	1/2010	Kanga et al. ....	D14/485	D687,047 S *	7/2013	Hales et al. ....	D14/485
D608,368 S *	1/2010	Bamford .....	D14/486	D687,058 S *	7/2013	Corcoran et al. ....	D14/488
D626,131 S *	10/2010	Kruzeniski et al. ....	D14/485	D687,059 S *	7/2013	Bruck et al. ....	D14/488
D629,006 S *	12/2010	Fletcher et al. ....	D14/486	D691,171 S *	10/2013	Brinda et al. ....	D14/488
D637,604 S *	5/2011	Brinda .....	D14/488	D692,915 S *	11/2013	Brinda et al. ....	D14/488
D649,155 S *	11/2011	van Os .....	D14/488	8,635,545 B2 *	1/2014	Kim et al. ....	715/764
D650,793 S *	12/2011	Impas et al. ....	D14/489	D699,745 S *	2/2014	Pearson et al. ....	D14/488
D665,421 S *	8/2012	Morrow et al. ....	D14/492	D701,522 S *	3/2014	Wang et al. ....	D14/486
D665,422 S *	8/2012	Morrow et al. ....	D14/492	D703,693 S *	4/2014	Brinda et al. ....	D14/488
D667,423 S *	9/2012	Nagamine .....	D14/488	2011/0061021 A1 *	3/2011	Kang et al. ....	715/800
				2012/0151415 A1 *	6/2012	Park et al. ....	715/835
				2013/0063380 A1 *	3/2013	Wang et al. ....	345/173
				2013/0227450 A1 *	8/2013	Na et al. ....	715/764

\* cited by examiner

FIG. 1

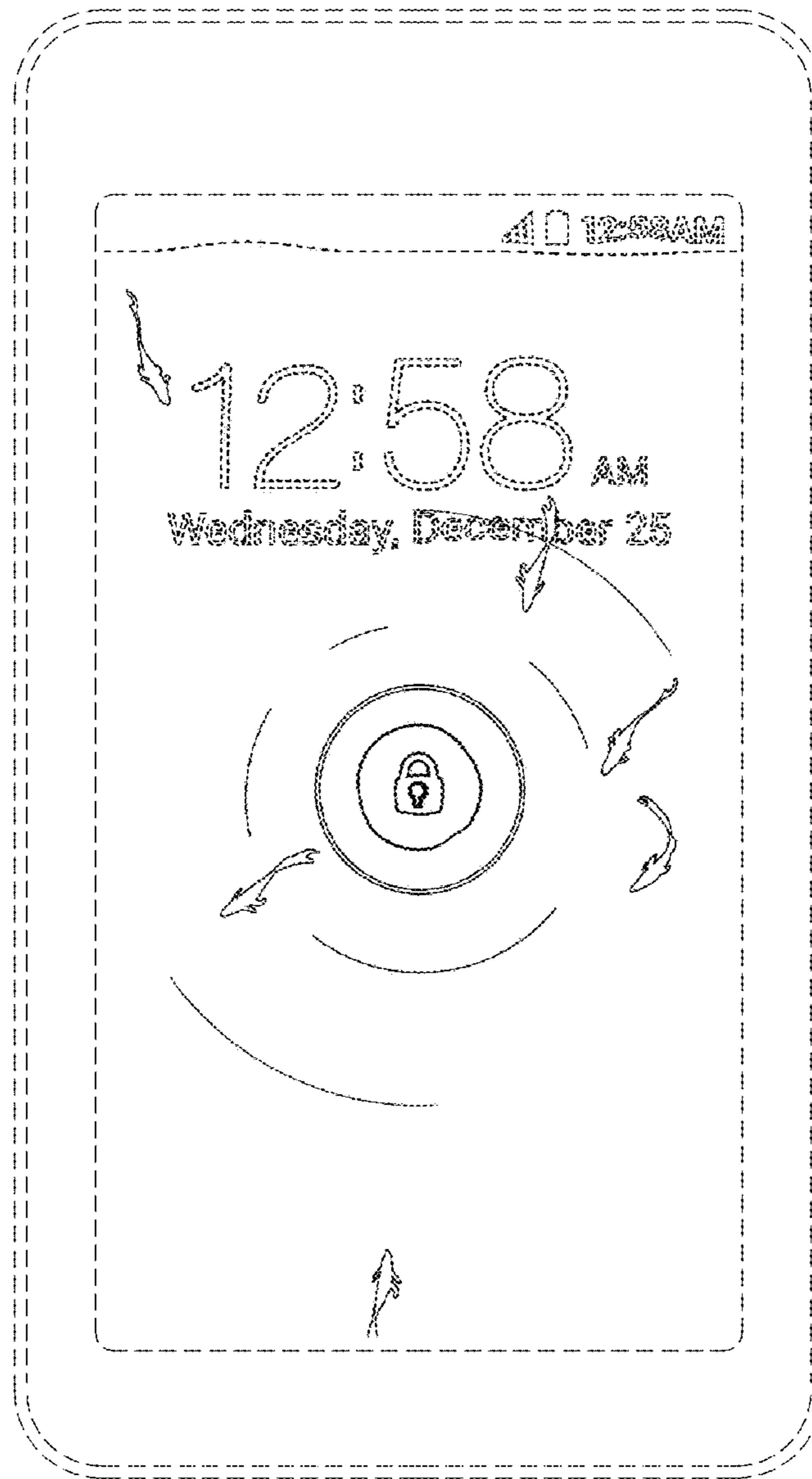


FIG. 2

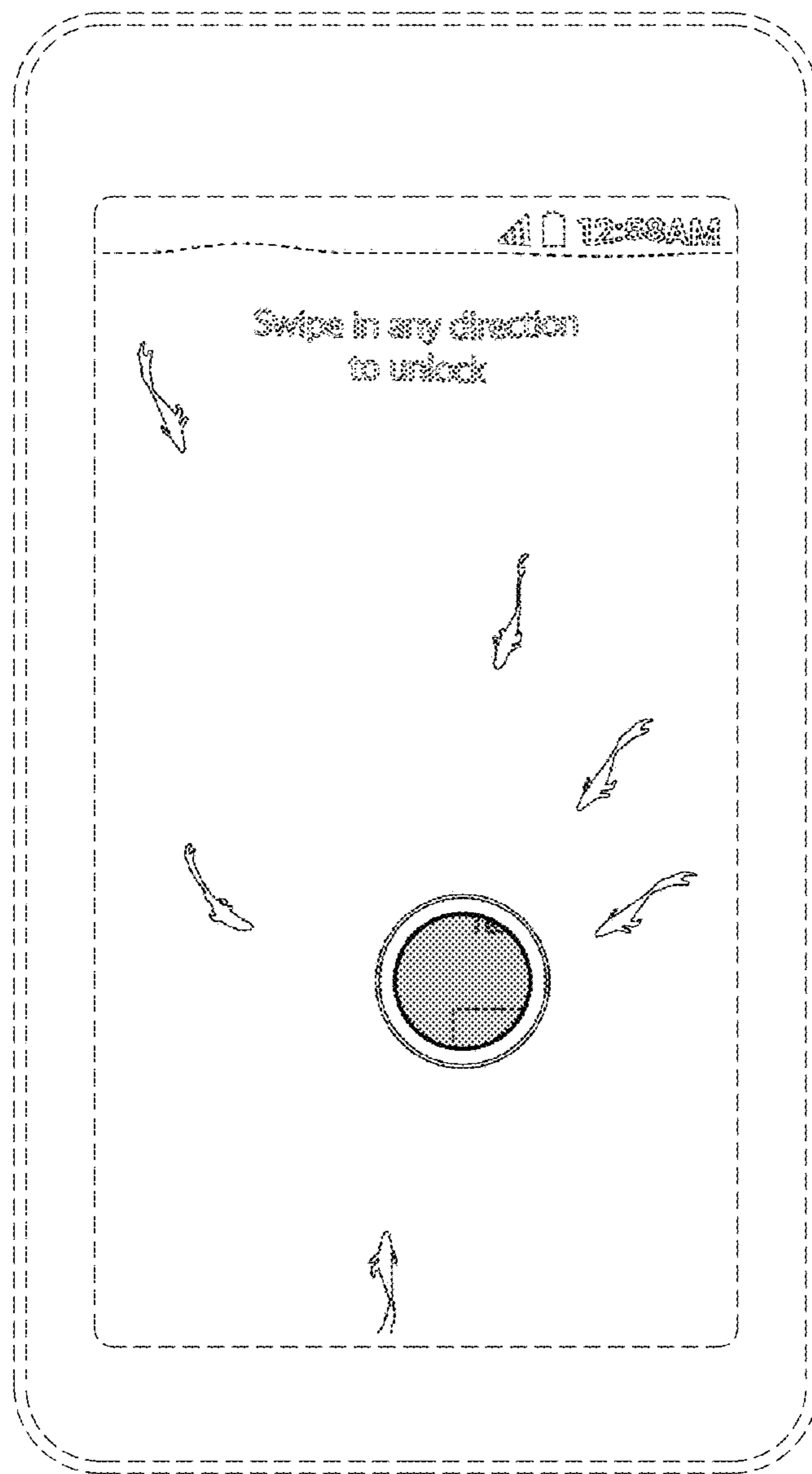


FIG. 3

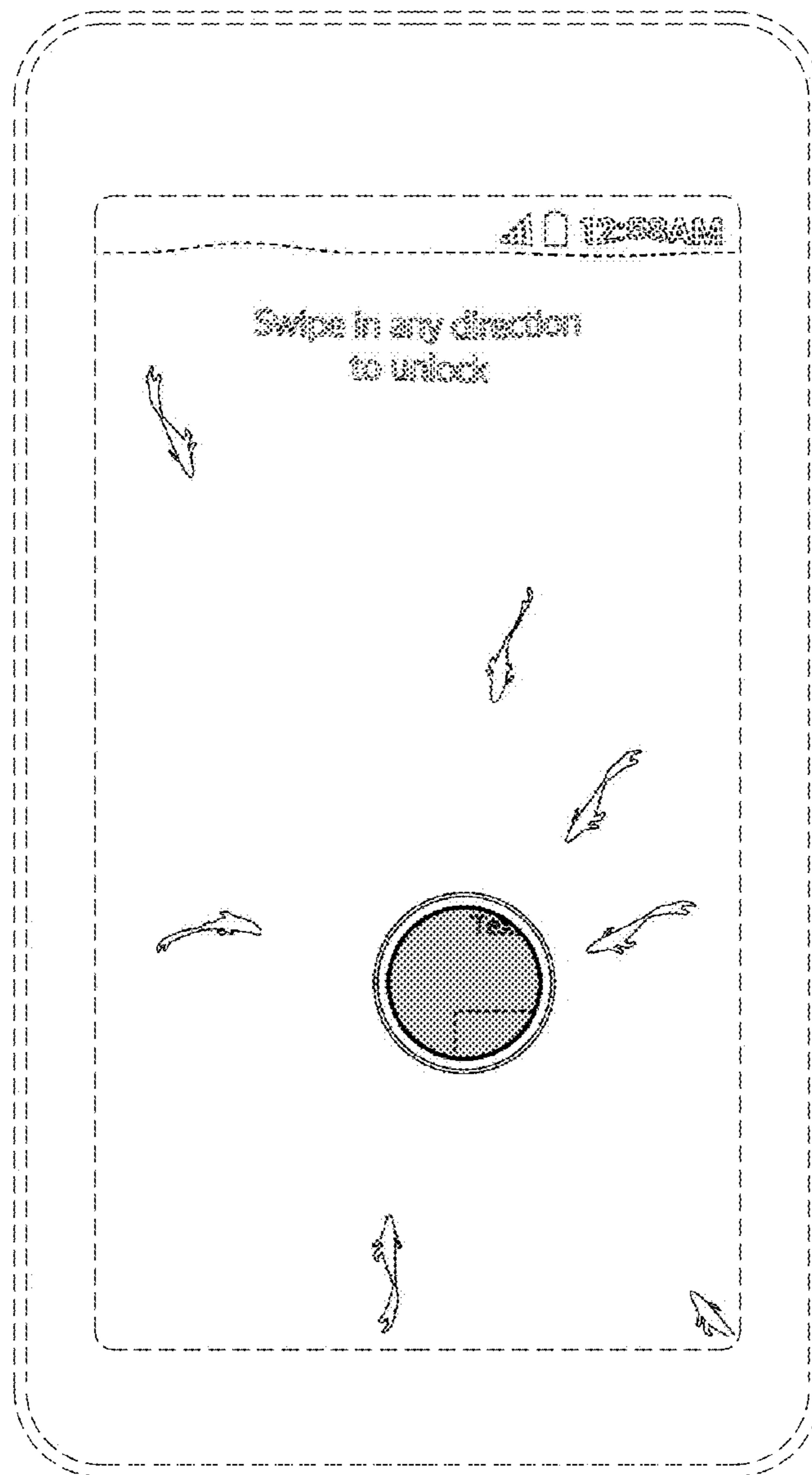


FIG. 4

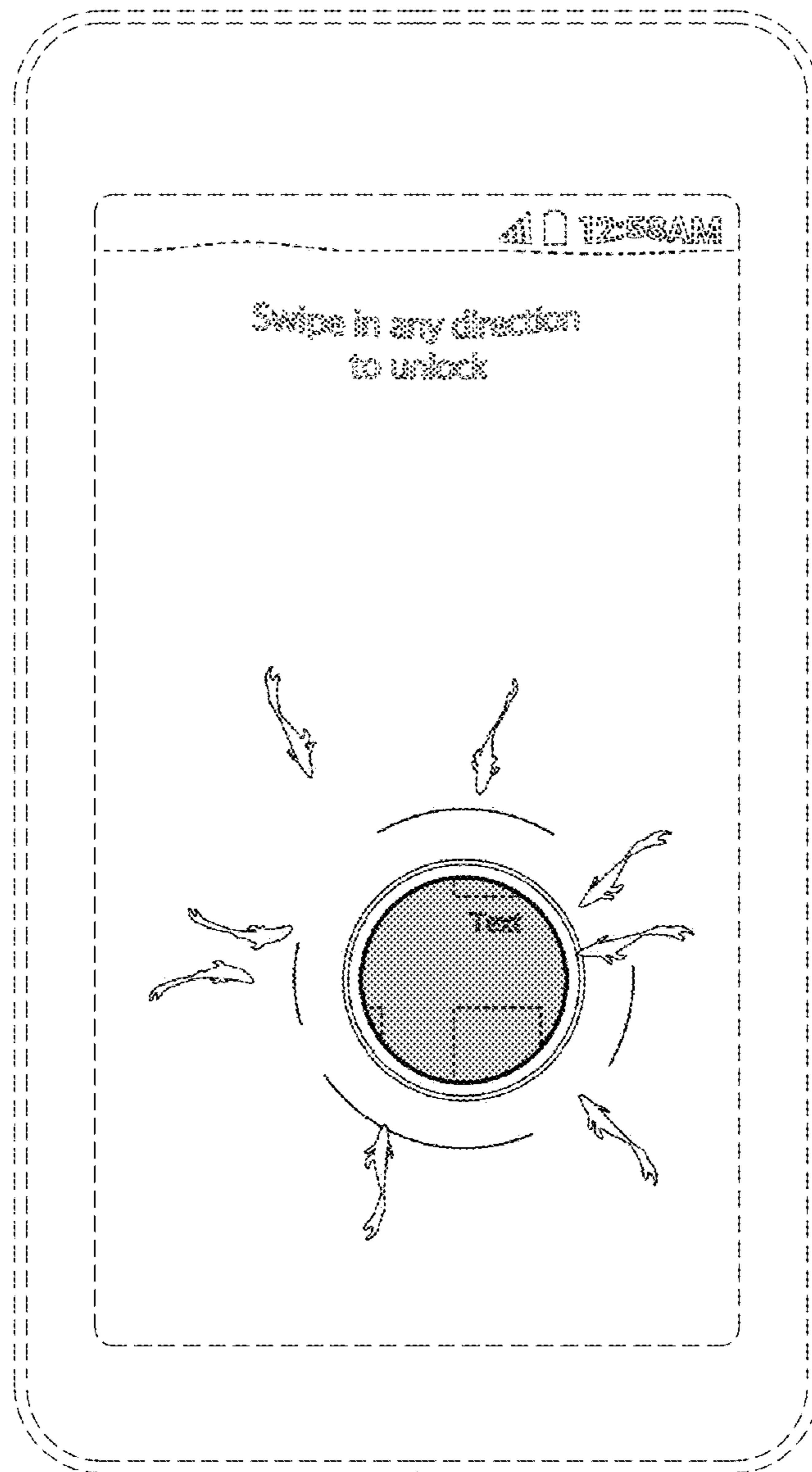


FIG. 5

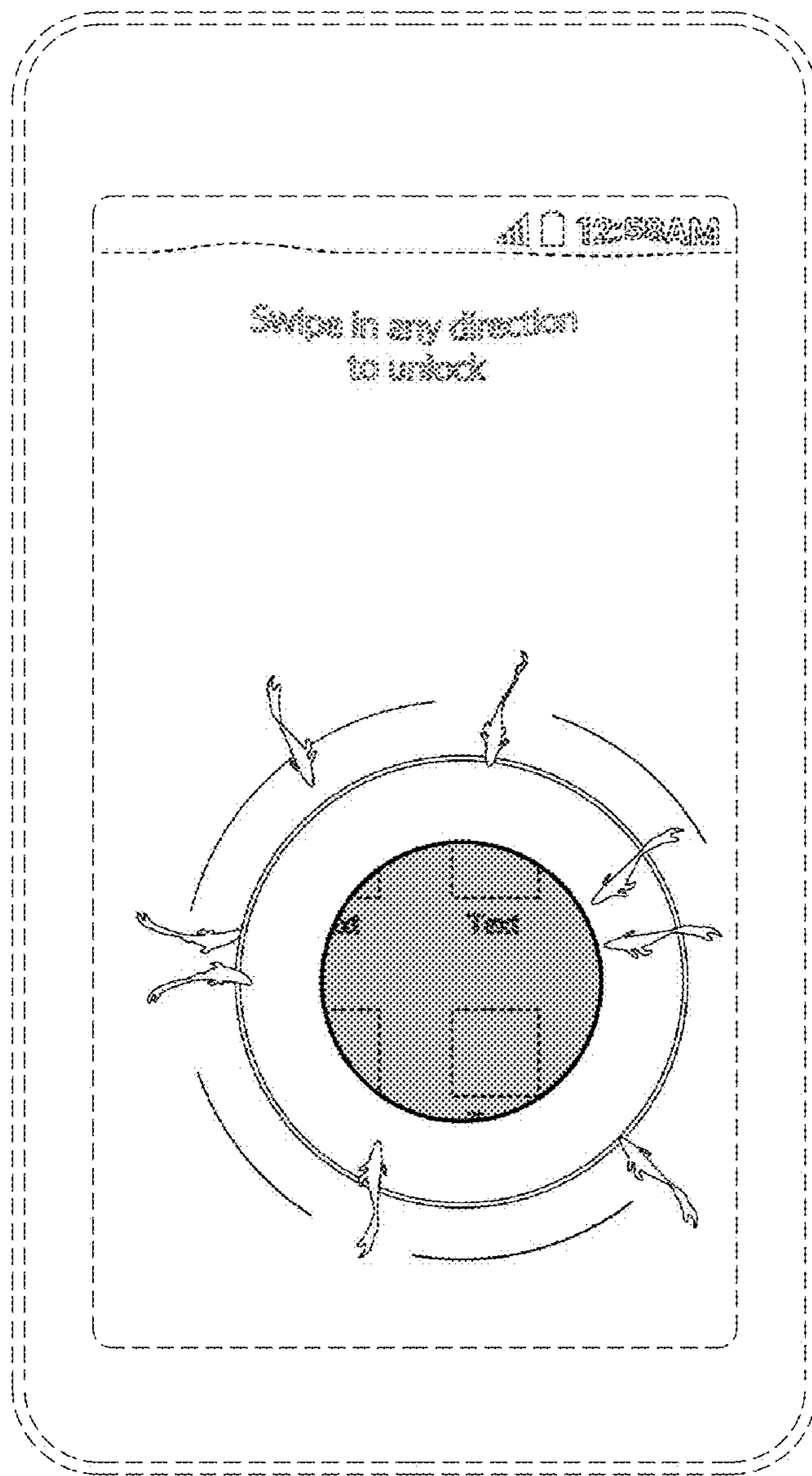


FIG. 6

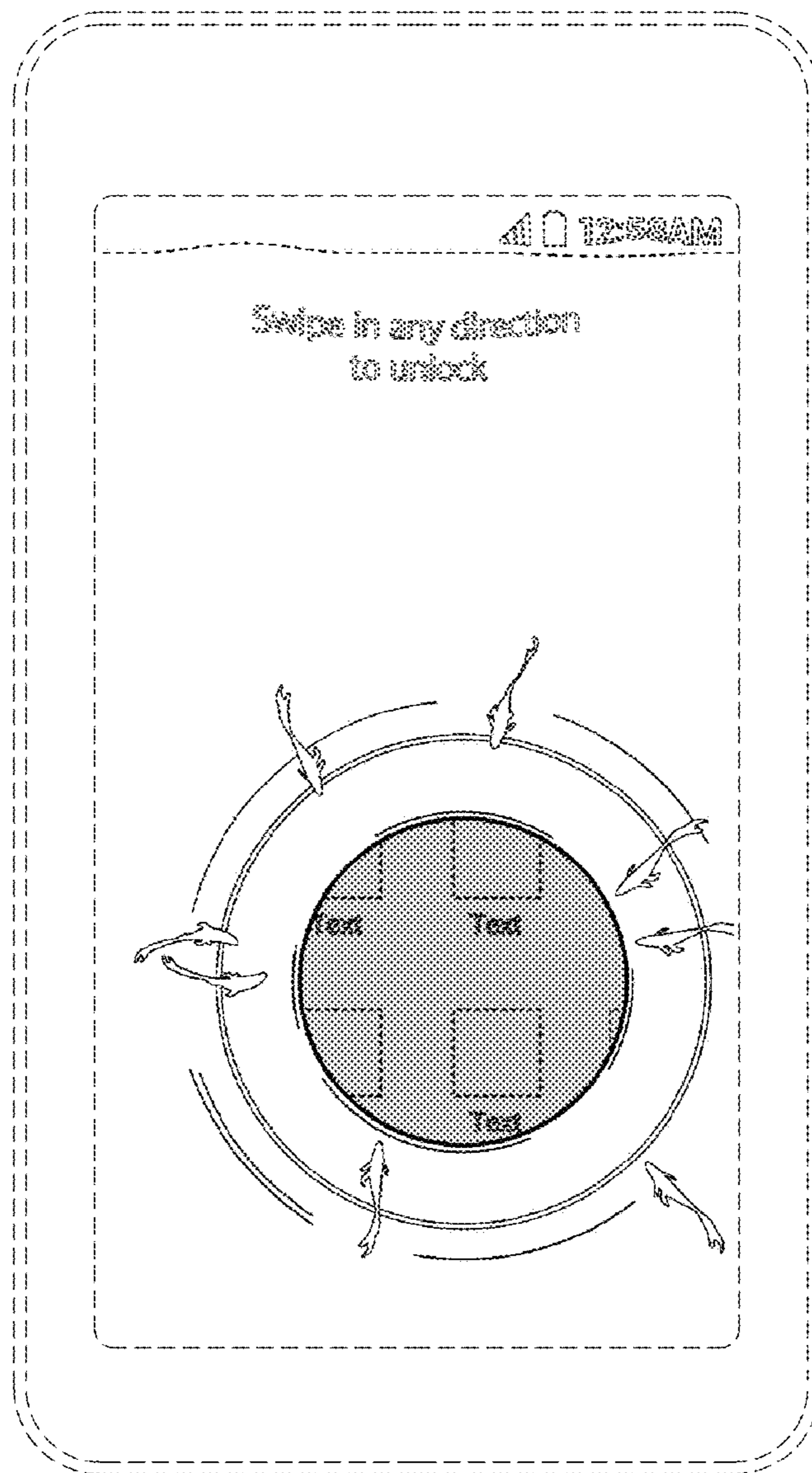




FIG. 7

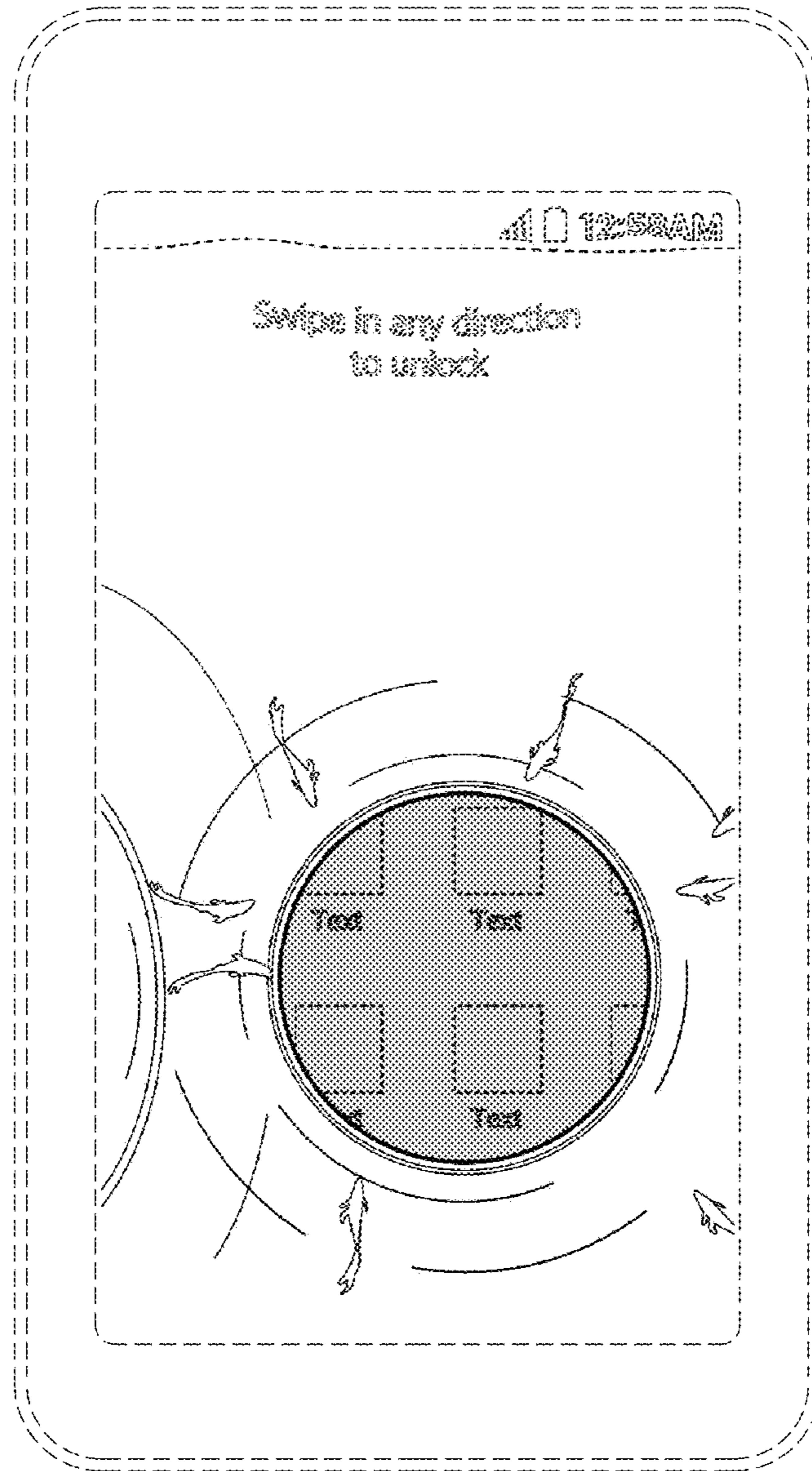


FIG. 8

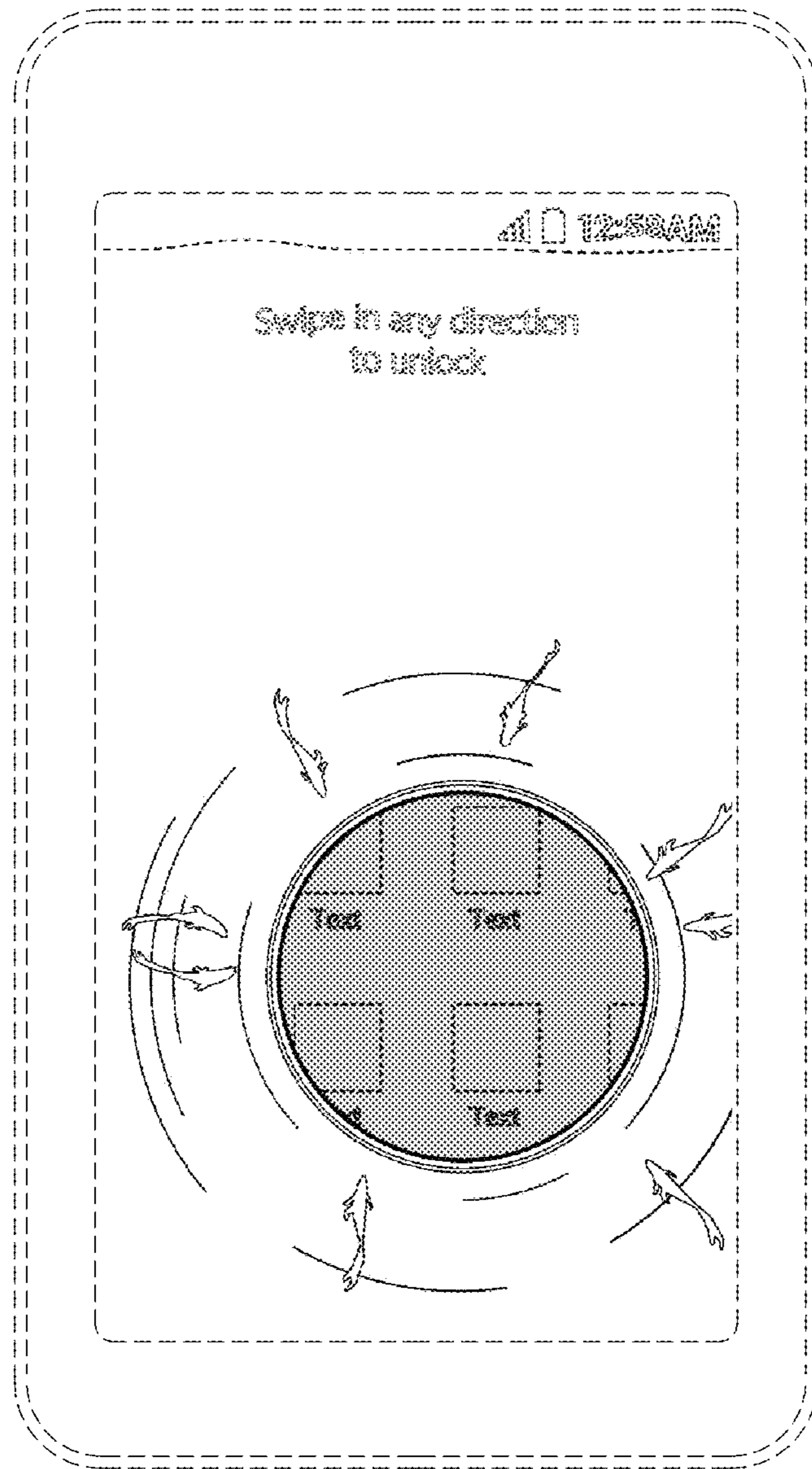


FIG. 9

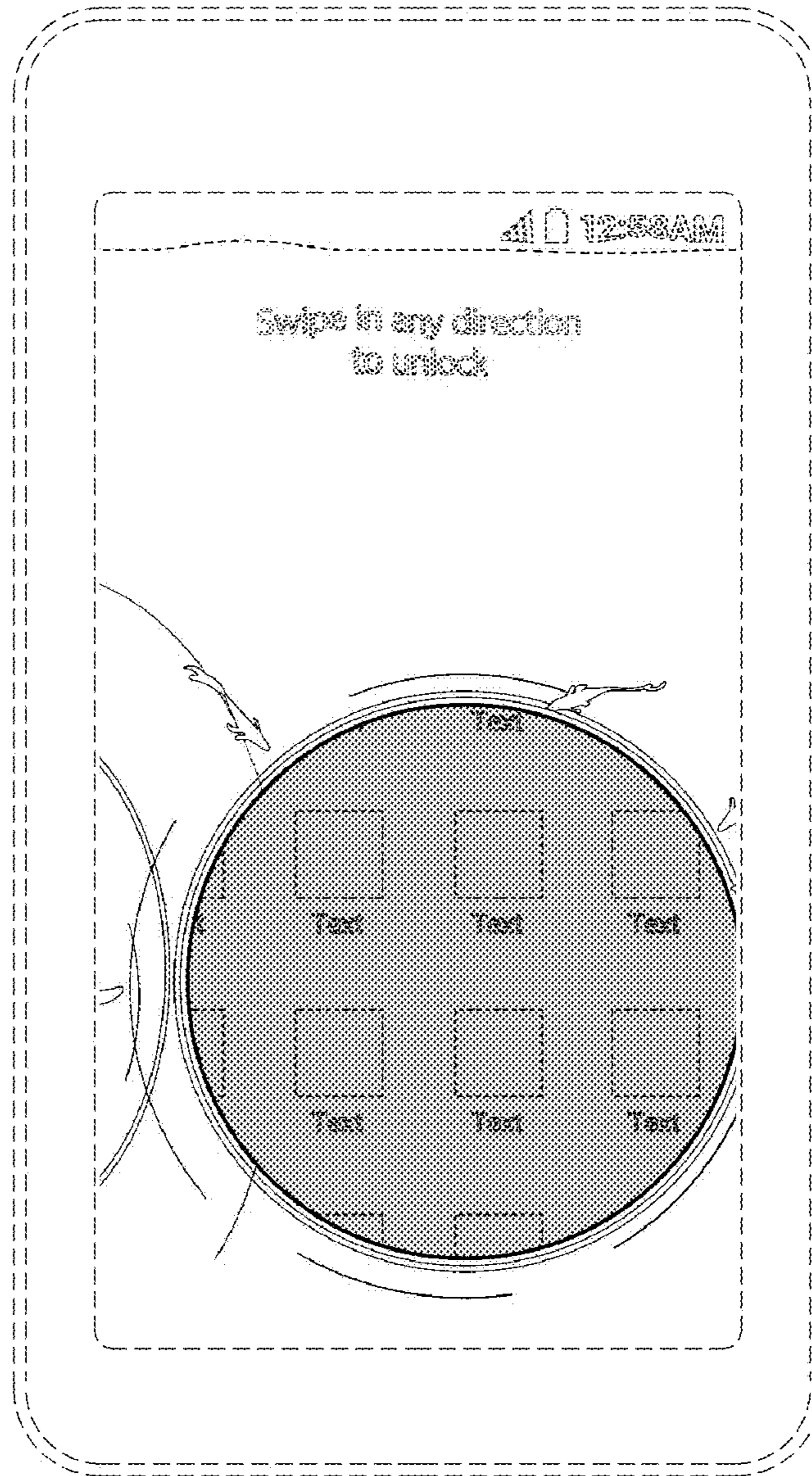


FIG. 10

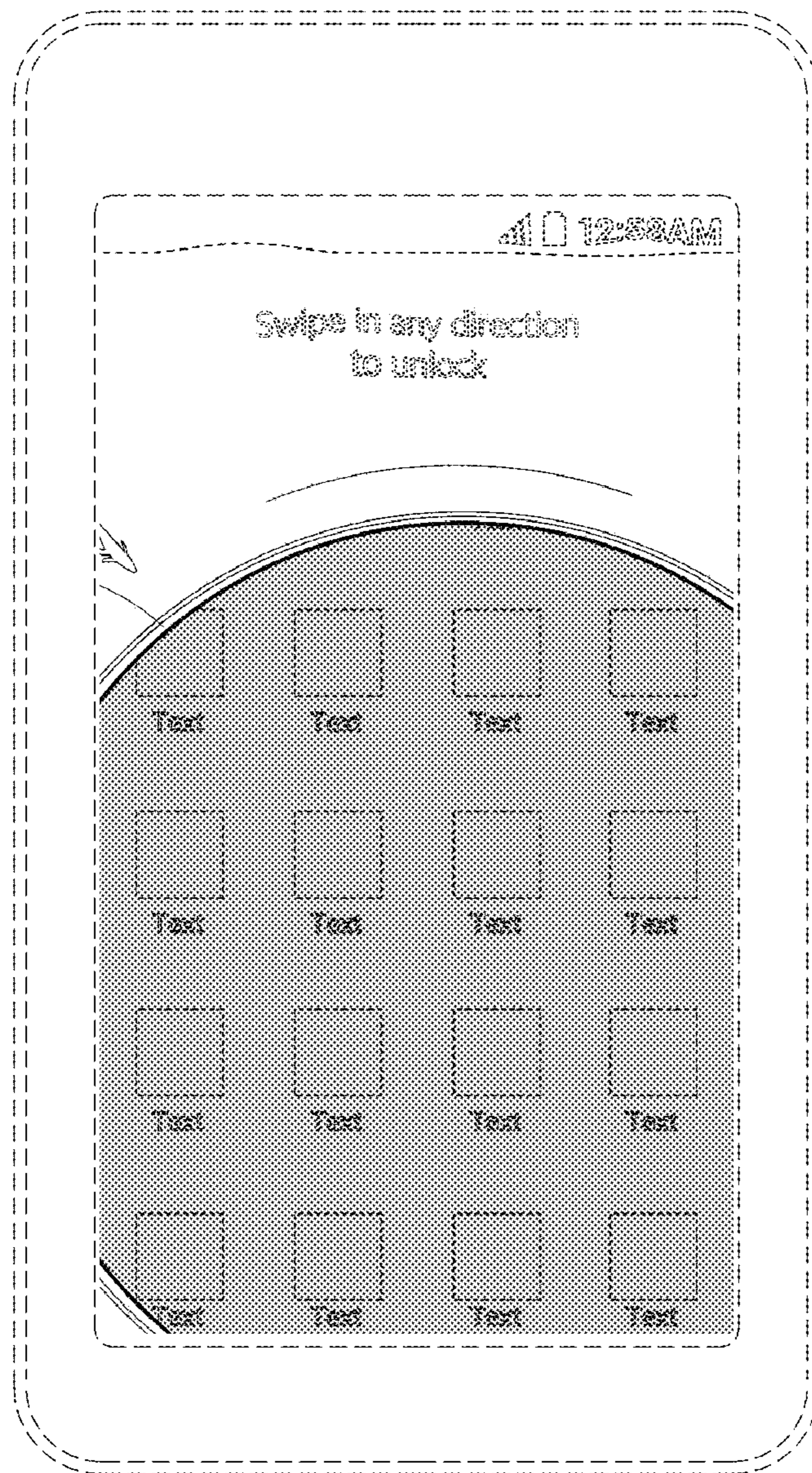


FIG. 11

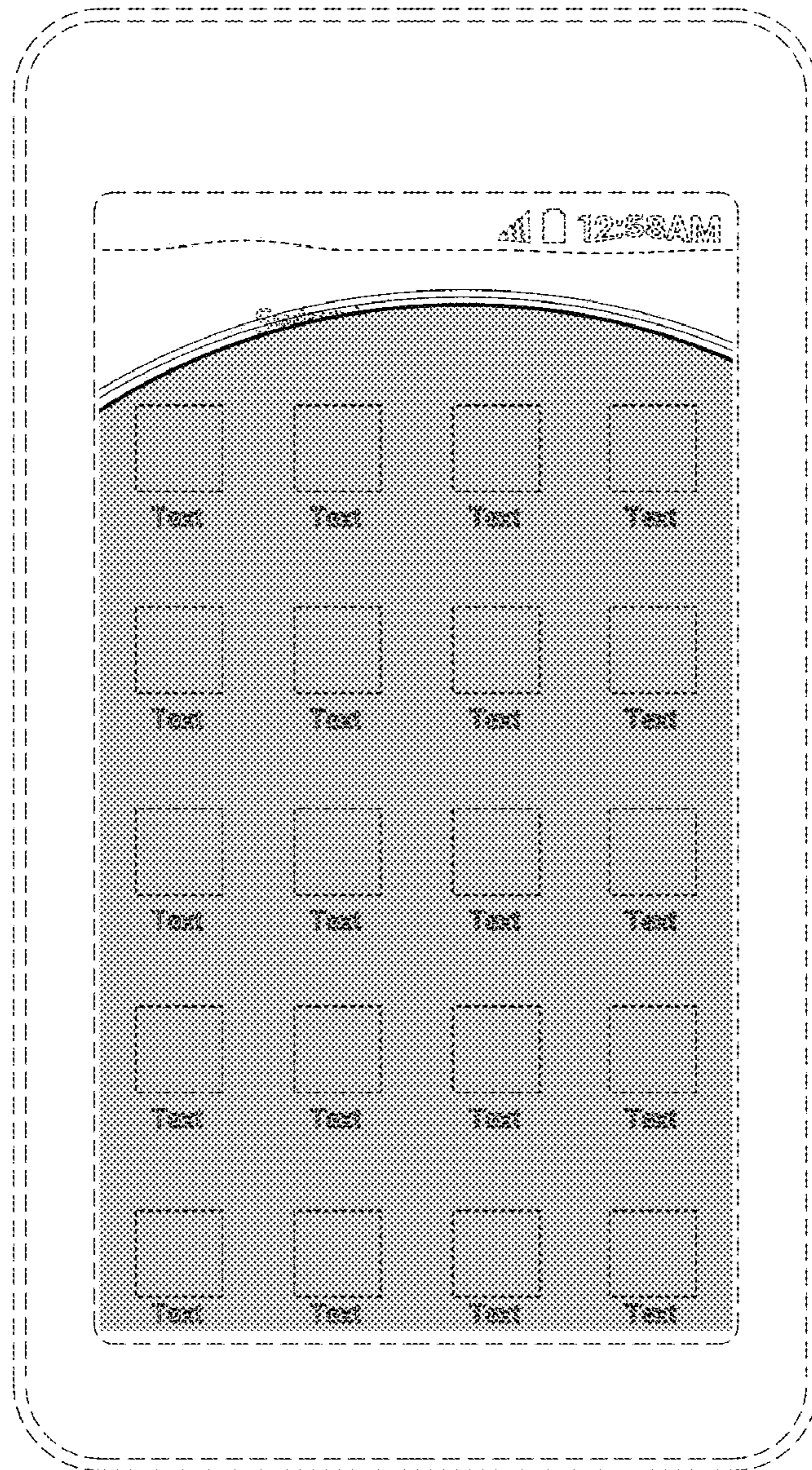


FIG. 12

