



US00D712915S

(12) **United States Design Patent**  
**Lee et al.**

(10) **Patent No.:** **US D712,915 S**  
(45) **Date of Patent:** **\*\* Sep. 9, 2014**

(54) **DISPLAY OF MOBILE PHONE WITH TRANSITIONAL GRAPHICAL USER INTERFACE**

(71) Applicant: **LG Electronics Inc.**, Seoul (KR)

(72) Inventors: **Kunho Lee**, Seoul (KR); **Myoungun Kim**, Seoul (KR); **Jihye Min**, Seoul (KR); **Yongdeok Lee**, Goyang-si (KR)

(73) Assignee: **LG Electronics Inc.**, Seoul (KR)

(\*\*) Term: **14 Years**

(21) Appl. No.: **29/447,744**

(22) Filed: **Mar. 6, 2013**

(30) **Foreign Application Priority Data**

Sep. 7, 2012 (KR) ..... 30-2012-0043267

(51) **LOC (10) Cl.** ..... **14-04**

(52) **U.S. Cl.**  
USPC ..... **D14/486; D14/492**

(58) **Field of Classification Search**  
CPC ..... G06F 3/04812; G06F 3/04883  
USPC ..... D14/485-489, 492; 715/825, 861, 977  
See application file for complete search history.

(56) **References Cited**

**U.S. PATENT DOCUMENTS**

5,784,056	A *	7/1998	Nielsen	.....	715/856
D402,645	S *	12/1998	Garguilo	.....	D14/492
6,597,383	B1 *	7/2003	Saito	.....	715/860
D540,340	S *	4/2007	Cummins	.....	D14/486
D544,492	S *	6/2007	Rimas-Ribikauskas	.....	D14/485
			et al.	.....	D14/485

D565,579	S *	4/2008	Gunn et al.	.....	D14/485
D567,249	S *	4/2008	Gunn et al.	.....	D14/485
D574,389	S *	8/2008	Armendariz et al.	.....	D14/486
D582,934	S *	12/2008	Byeon	.....	D14/486
D598,460	S *	8/2009	Hirsch et al.	.....	D14/485
D598,924	S *	8/2009	Hirsch et al.	.....	D14/485

(Continued)

*Primary Examiner* — Karen E Kearney

(74) *Attorney, Agent, or Firm* — Birch, Stewart, Kolasch & Birch, LLP

(57) **CLAIM**

The ornamental design for a display of mobile phone with transitional graphical user interface, as shown and described.

**DESCRIPTION**

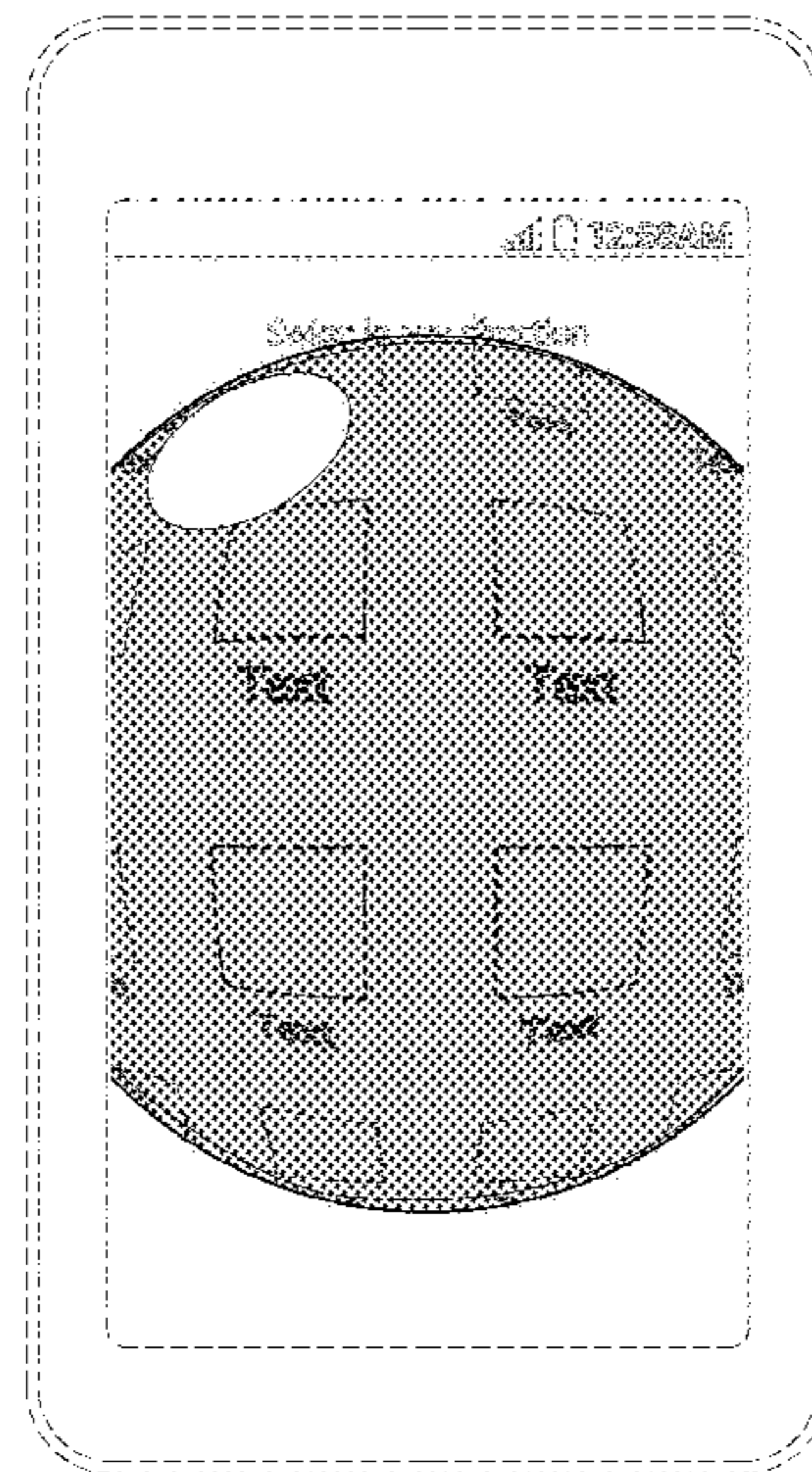
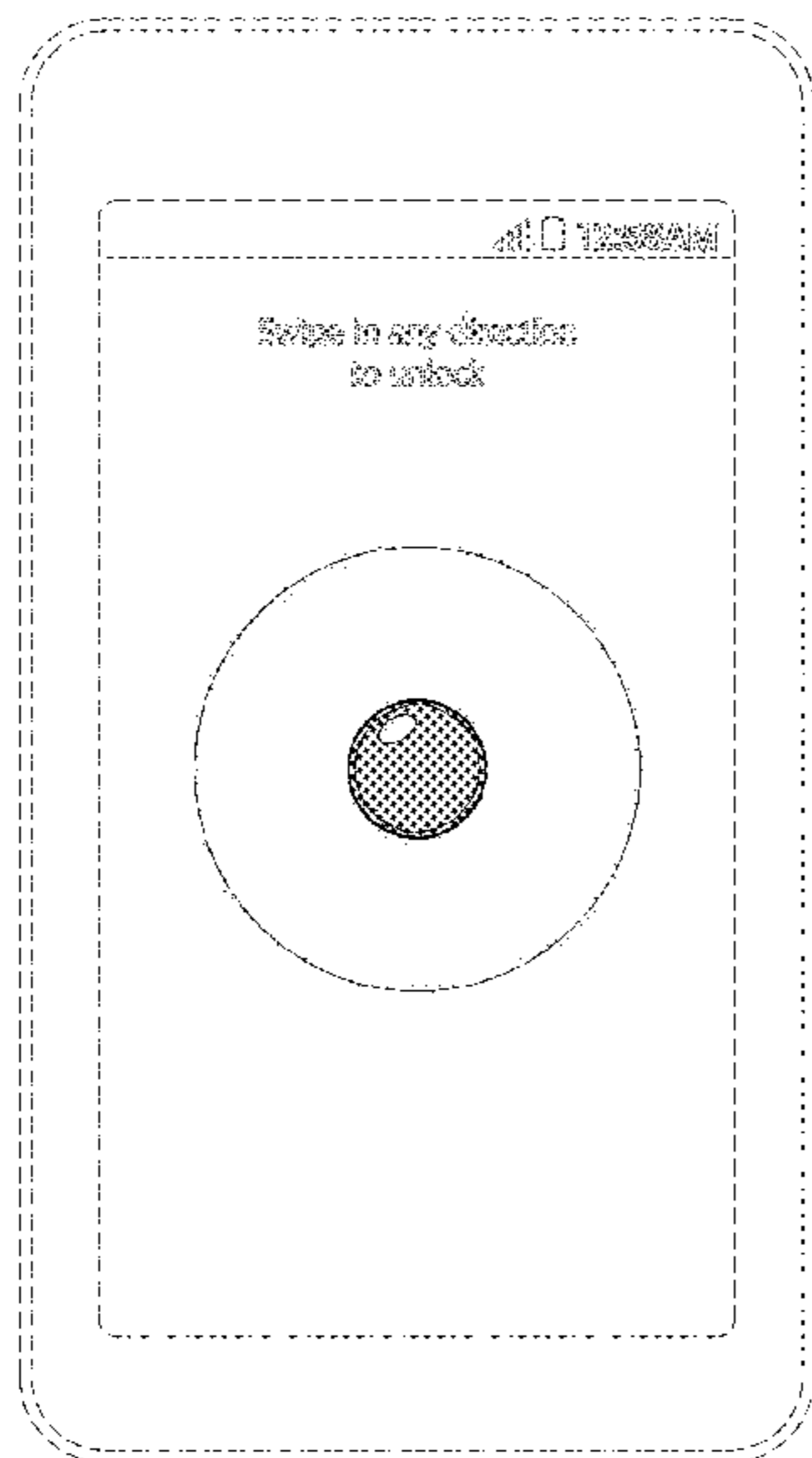
FIG. 1 is a front view of a first image in a sequence for a display of mobile phone with transitional graphical user interface.

FIG. 2 is a front view of a second image thereof; FIG. 3 is a front view of a third image thereof; FIG. 4 is a front view of a fourth image thereof; FIG. 5 is a front view of a fifth image thereof; FIG. 6 is a front view of a sixth image thereof; FIG. 7 is a front view of a seventh image thereof; FIG. 8 is a front view of an eighth image thereof; FIG. 9 is a front view of a ninth image thereof; and, FIG. 10 is a front view of a tenth image thereof.

The appearance of the transitional image sequentially transitions between the images shown in FIGS. 1-10. The process or period in which one image transitions to another image forms no part of the claimed design.

The broken line showings of the display, mobile phone, and portions of the graphical user interface are included for the purpose of illustrating environmental structure and form no part of the claimed design.

**1 Claim, 10 Drawing Sheets**



(56)

**References Cited**

U.S. PATENT DOCUMENTS

D598,926 S *	8/2009	Hirsch et al. ....	D14/485	D665,422 S *	8/2012	Morrow et al. ....	D14/492
D608,368 S *	1/2010	Bamford .....	D14/486	D667,423 S *	9/2012	Nagamine .....	D14/488
D626,131 S *	10/2010	Kruzeniski et al. ....	D14/485	8,472,671 B2 *	6/2013	Kubota .....	382/103
D637,604 S *	5/2011	Brinda .....	D14/488	D687,047 S *	7/2013	Hales et al. ....	D14/485
D644,656 S *	9/2011	Maitlen et al. ....	D14/489	D687,058 S *	7/2013	Corcoran et al. ....	D14/488
D649,155 S *	11/2011	van Os .....	D14/488	D687,059 S *	7/2013	Bruck et al. ....	D14/488
D650,793 S *	12/2011	Impas et al. ....	D14/489	D691,171 S *	10/2013	Brinda et al. ....	D14/488
D654,928 S *	2/2012	Morrow et al. ....	D14/492	D692,915 S *	11/2013	Brinda et al. ....	D14/488
D654,929 S *	2/2012	Morrow et al. ....	D14/492	8,635,545 B2 *	1/2014	Kim et al. ....	715/764
D654,930 S *	2/2012	Morrow et al. ....	D14/492	D699,745 S *	2/2014	Pearson et al. ....	D14/488
D665,421 S *	8/2012	Morrow et al. ....	D14/492	D703,693 S *	4/2014	Brinda et al. ....	D14/488
				2012/0011470 A1 *	1/2012	Oh et al. ....	715/811
				2012/0151415 A1 *	6/2012	Park et al. ....	715/835
				2013/0063380 A1 *	3/2013	Wang et al. ....	345/173

\* cited by examiner

FIG. 1

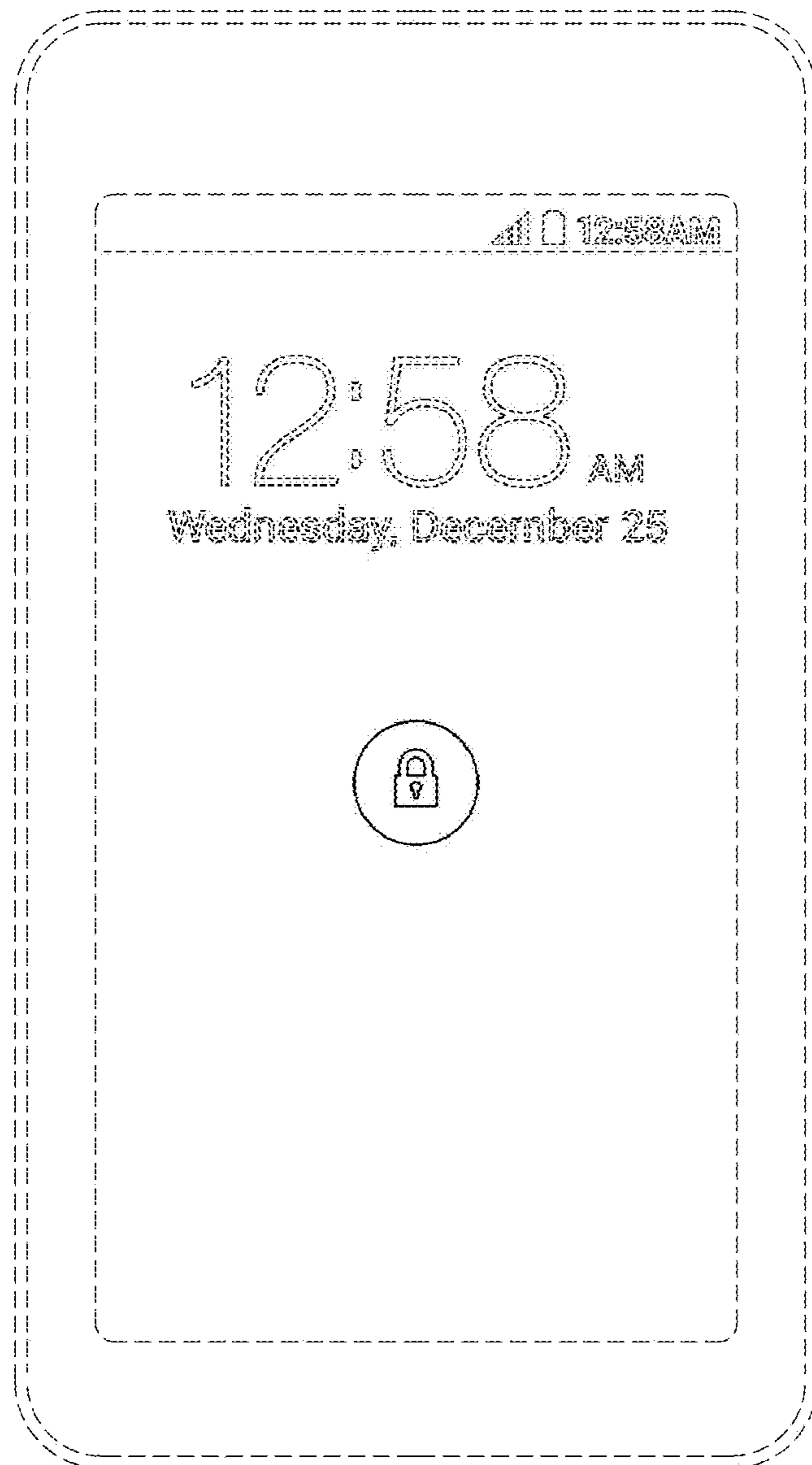


FIG. 2

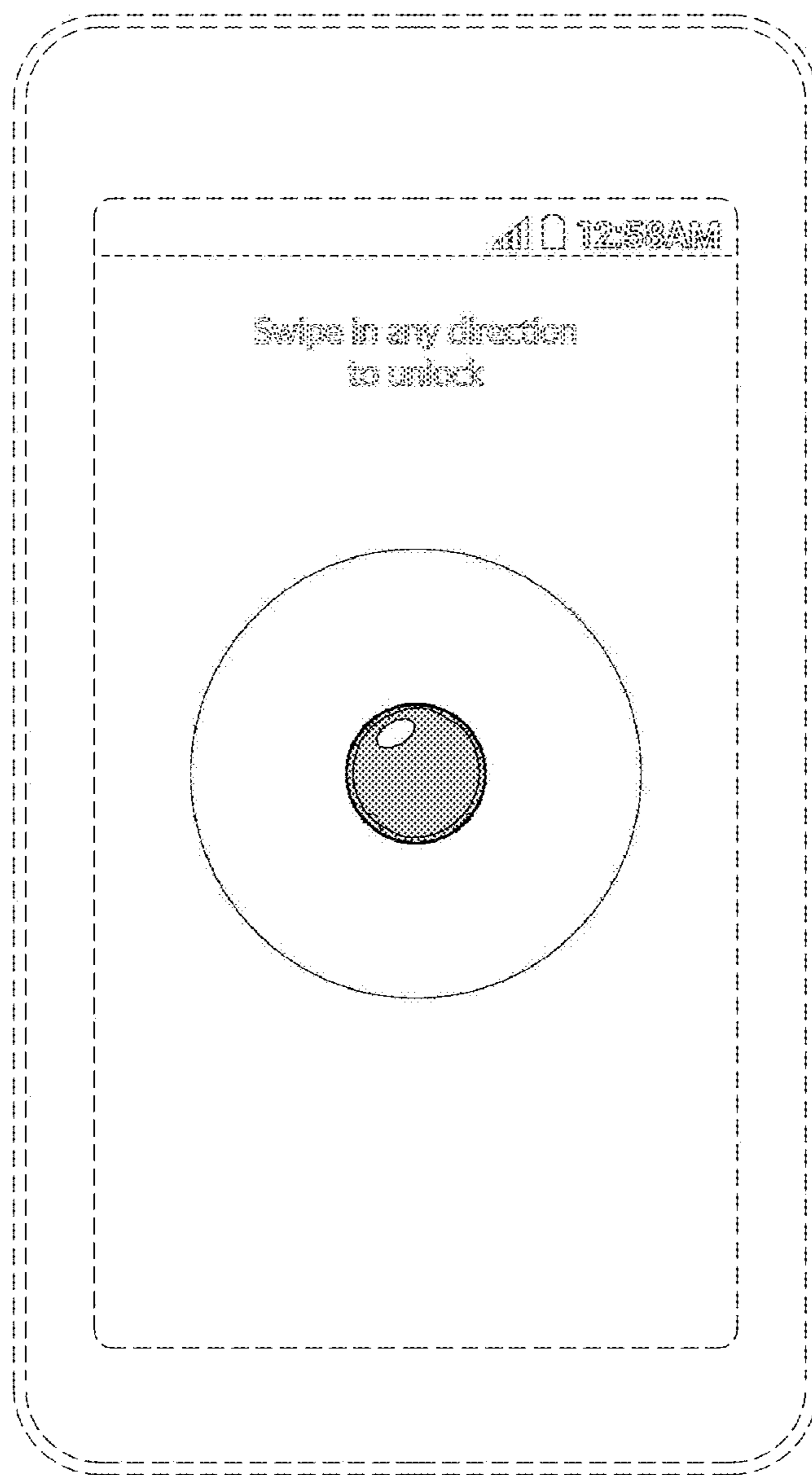


FIG. 3

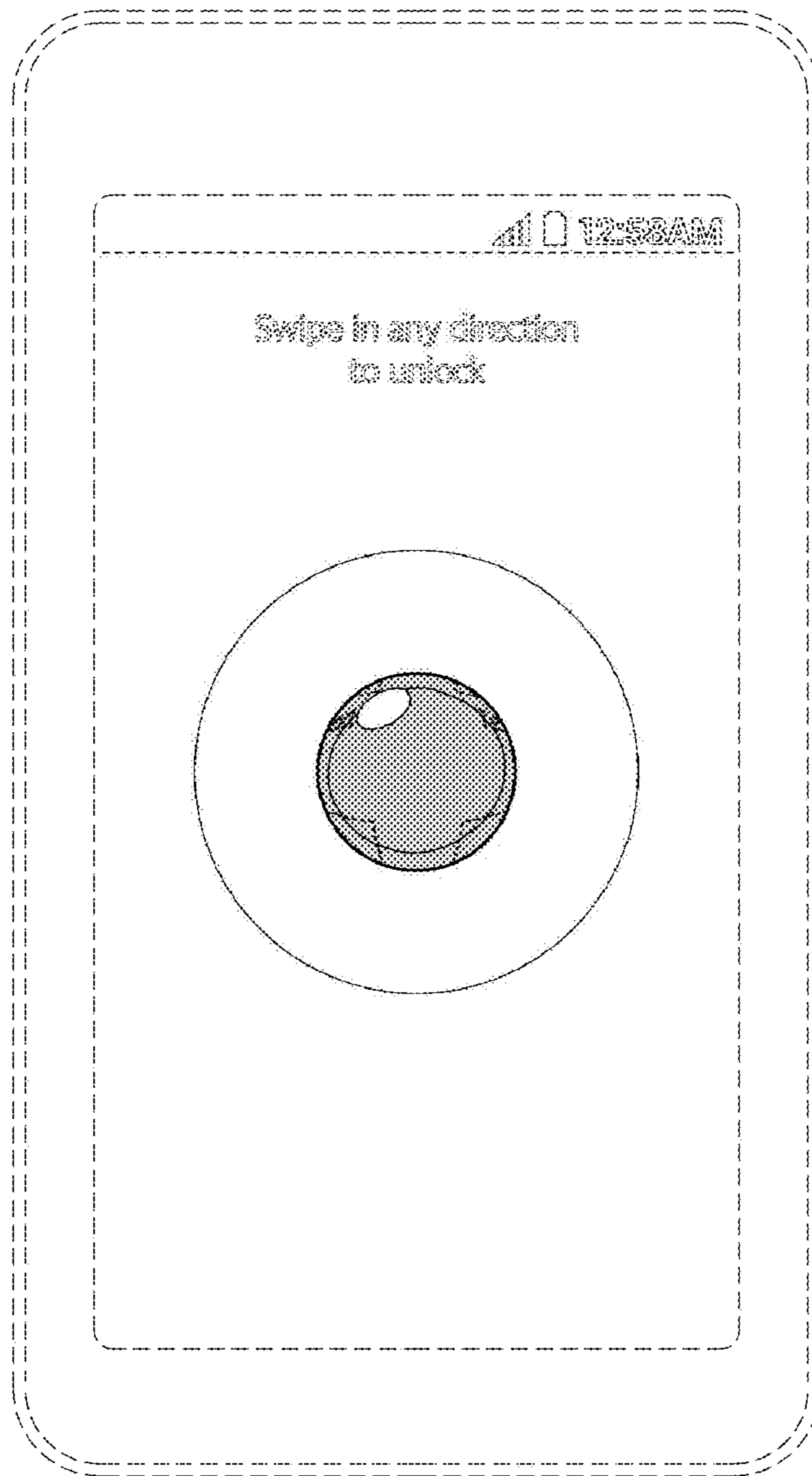


FIG. 4

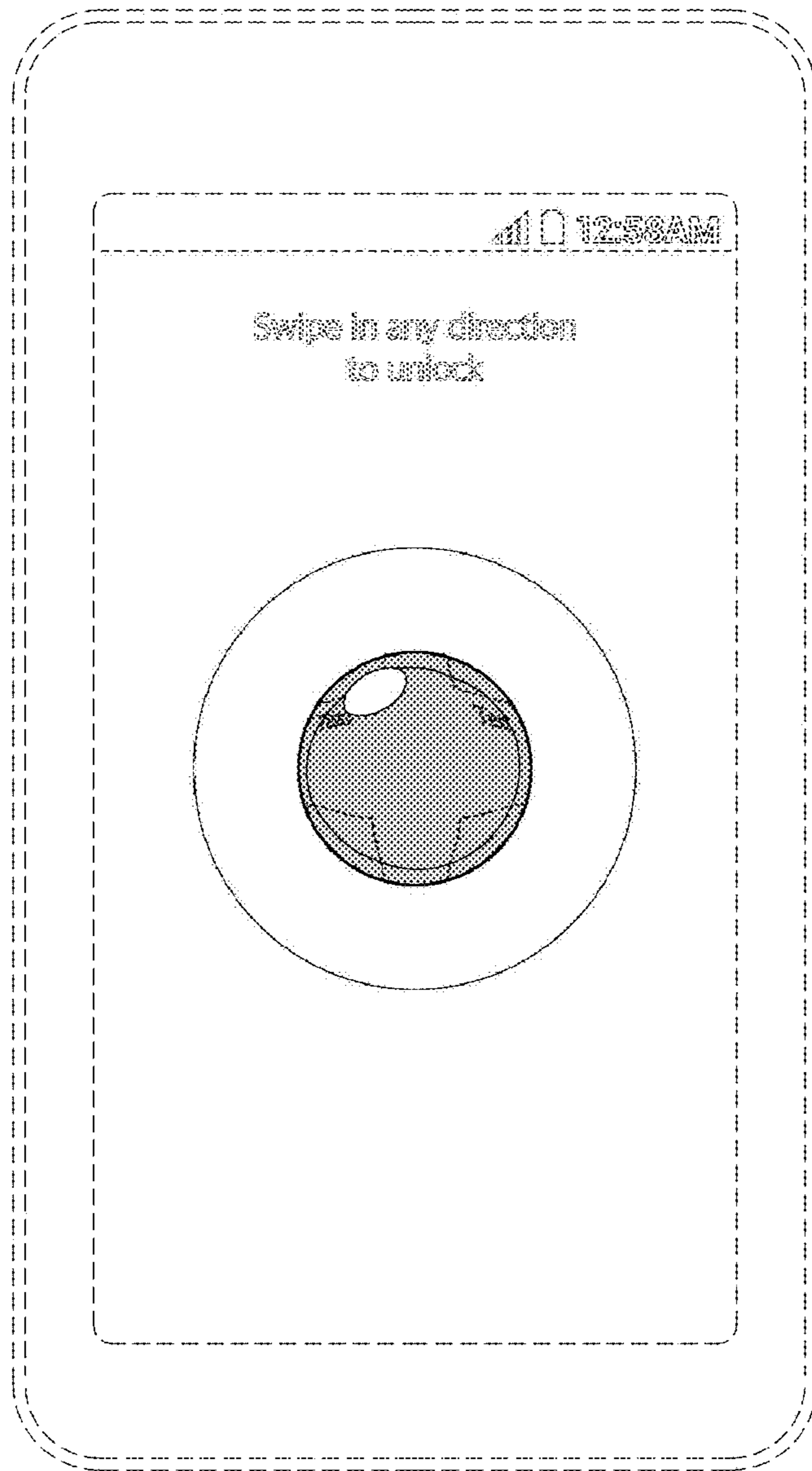


FIG. 5

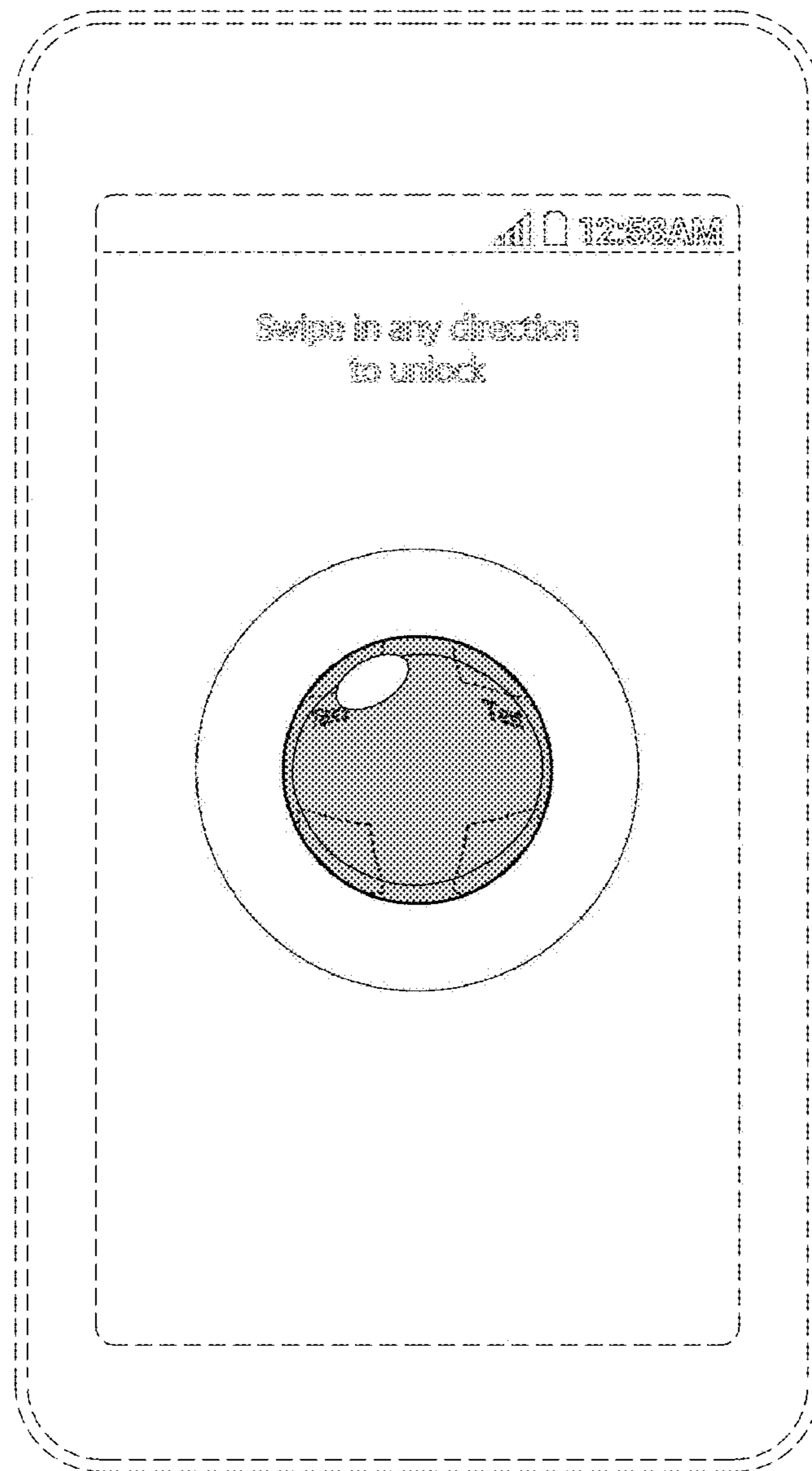


FIG. 6

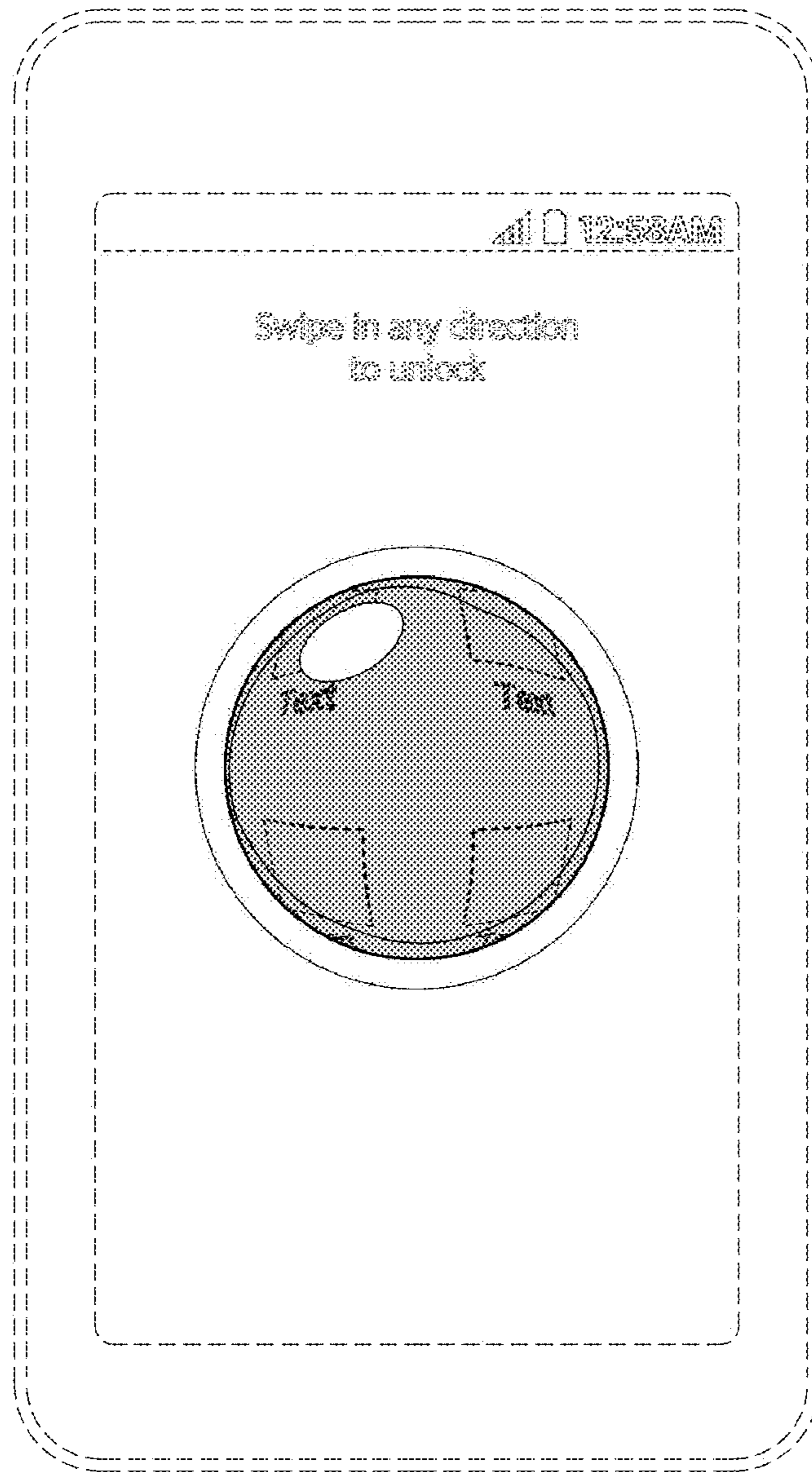




FIG. 7

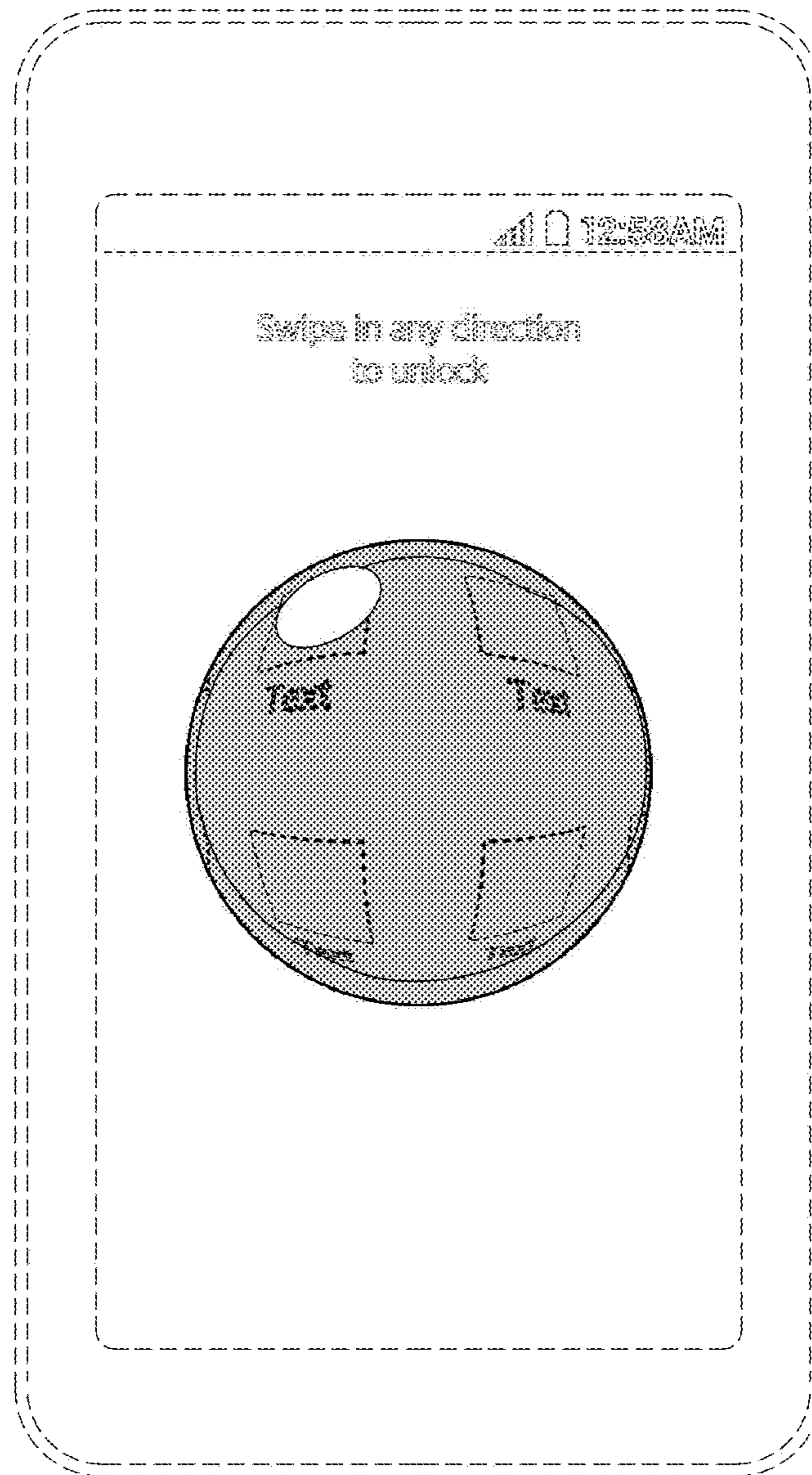


FIG. 8

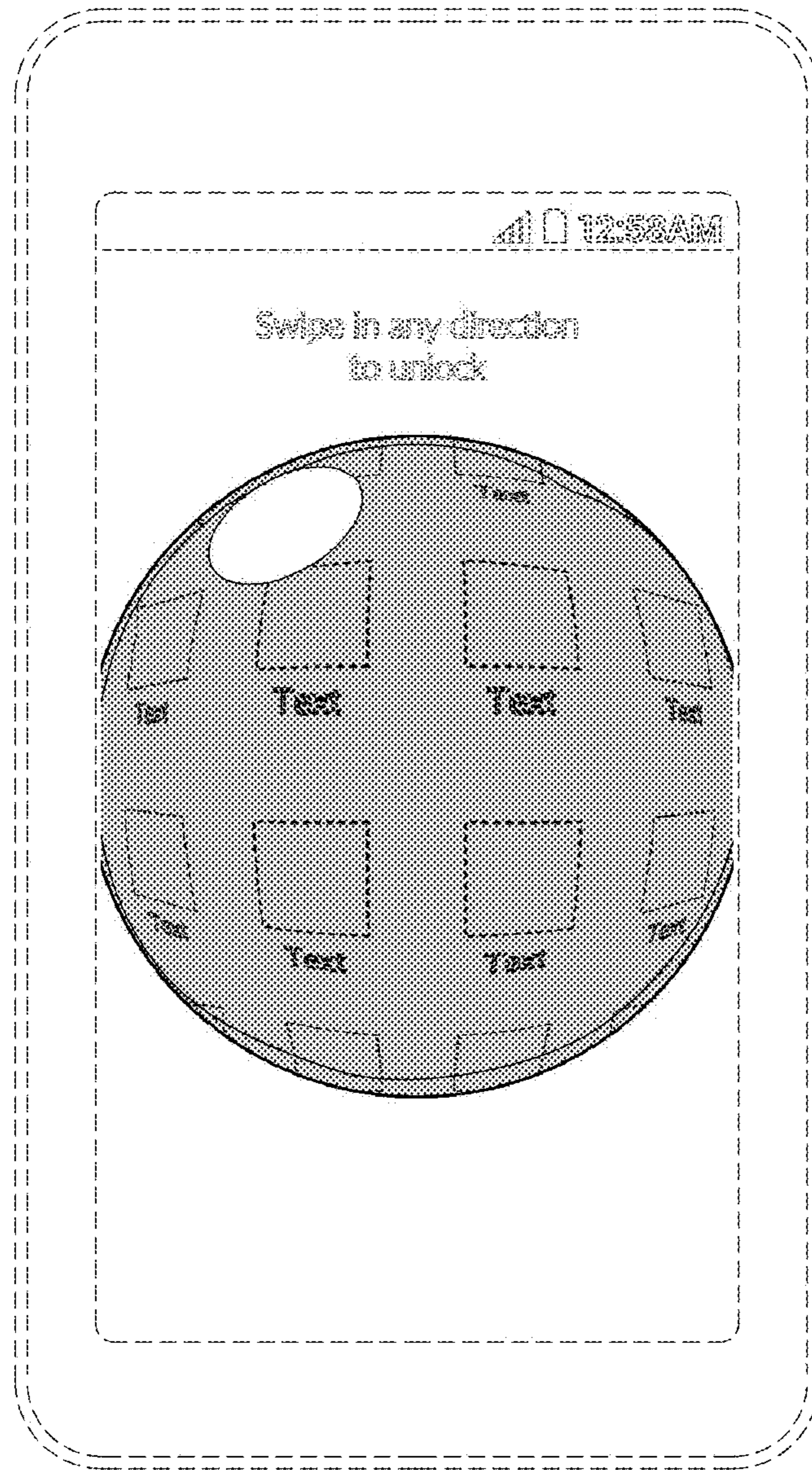


FIG. 9

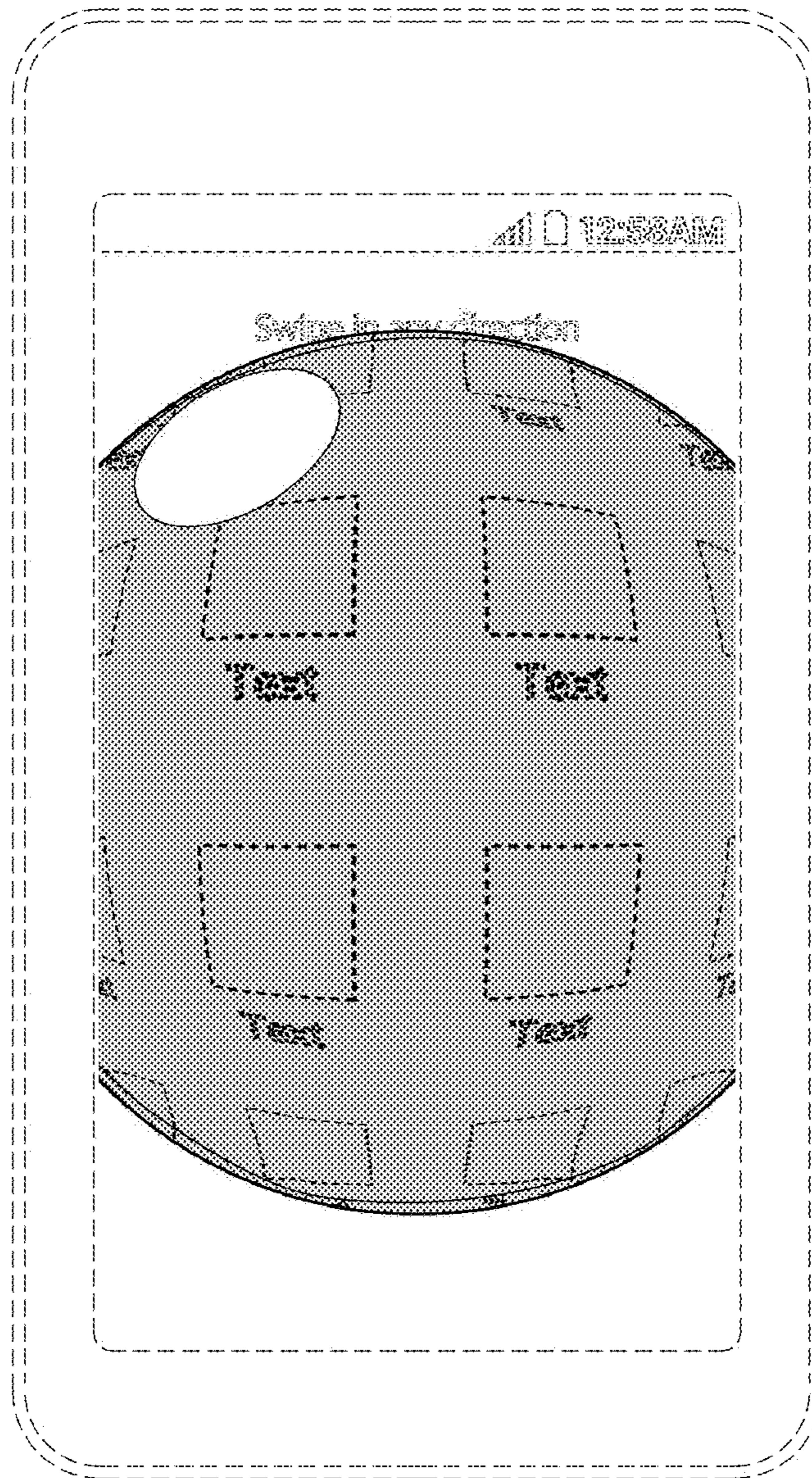


FIG. 10

