



US00D712911S

(12) **United States Design Patent**
Pearson et al.

(10) **Patent No.:** **US D712,911 S**
(45) **Date of Patent:** **** Sep. 9, 2014**

- (54) **DISPLAY SCREEN WITH A GRAPHICAL USER INTERFACE**
- (75) Inventors: **Mark E. Pearson**, Renton, WA (US);
Erez Kikin Gil, Redmond, WA (US);
Matthew J. Kotler, Sammamish, WA (US)
- (73) Assignee: **Microsoft Corporation**, Redmond, WA (US)
- (**) Term: **14 Years**
- (21) Appl. No.: **29/412,713**
- (22) Filed: **Feb. 7, 2012**
- (51) **LOC (10) Cl.** **14-04**
- (52) **U.S. Cl.**
USPC **D14/486**
- (58) **Field of Classification Search**
CPC G06F 3/048-3/04897
USPC D14/485-95; D18/24-33; D19/6, 52;
D20/11; D21/324-33; 715/700-867,
715/973-77
See application file for complete search history.

D504,441	S *	4/2005	Sapp et al.	D14/486
D505,135	S *	5/2005	Sapp et al.	D14/489
7,046,248	B1	5/2006	Perttunen	
D544,495	S *	6/2007	Evans et al.	D14/488
D545,323	S	6/2007	Decombe	
D545,324	S	6/2007	Decombe	
D550,696	S	9/2007	Kortum et al.	
7,281,214	B2	10/2007	Fadell	
D554,660	S	11/2007	Hoover et al.	
D554,661	S	11/2007	Hoover et al.	
D563,972	S	3/2008	Sherry	
D568,898	S	5/2008	Byeon	
D580,949	S	11/2008	Duarte	
D589,521	S	3/2009	Napier et al.	
D591,305	S *	4/2009	Shimoda	D14/485
7,516,416	B2	4/2009	Viswanathan et al.	
D592,674	S	5/2009	Kwag	
D593,126	S	5/2009	Danton	
D599,815	S	9/2009	Ogura et al.	
D602,033	S	10/2009	Vu et al.	
D604,310	S	11/2009	Ahn	
D606,081	S	12/2009	Parker et al.	
D607,007	S *	12/2009	Kocmick	D14/489
D613,754	S	4/2010	Barcheck et al.	
D614,192	S *	4/2010	Takano et al.	D14/486
D619,593	S *	7/2010	Fujioka et al.	D14/485
D619,614	S *	7/2010	O'Mullan et al.	D14/489

(Continued)

Primary Examiner — Melanie H Tung
(74) *Attorney, Agent, or Firm* — Banner & Witcoff, Ltd.

(56) **References Cited**
U.S. PATENT DOCUMENTS

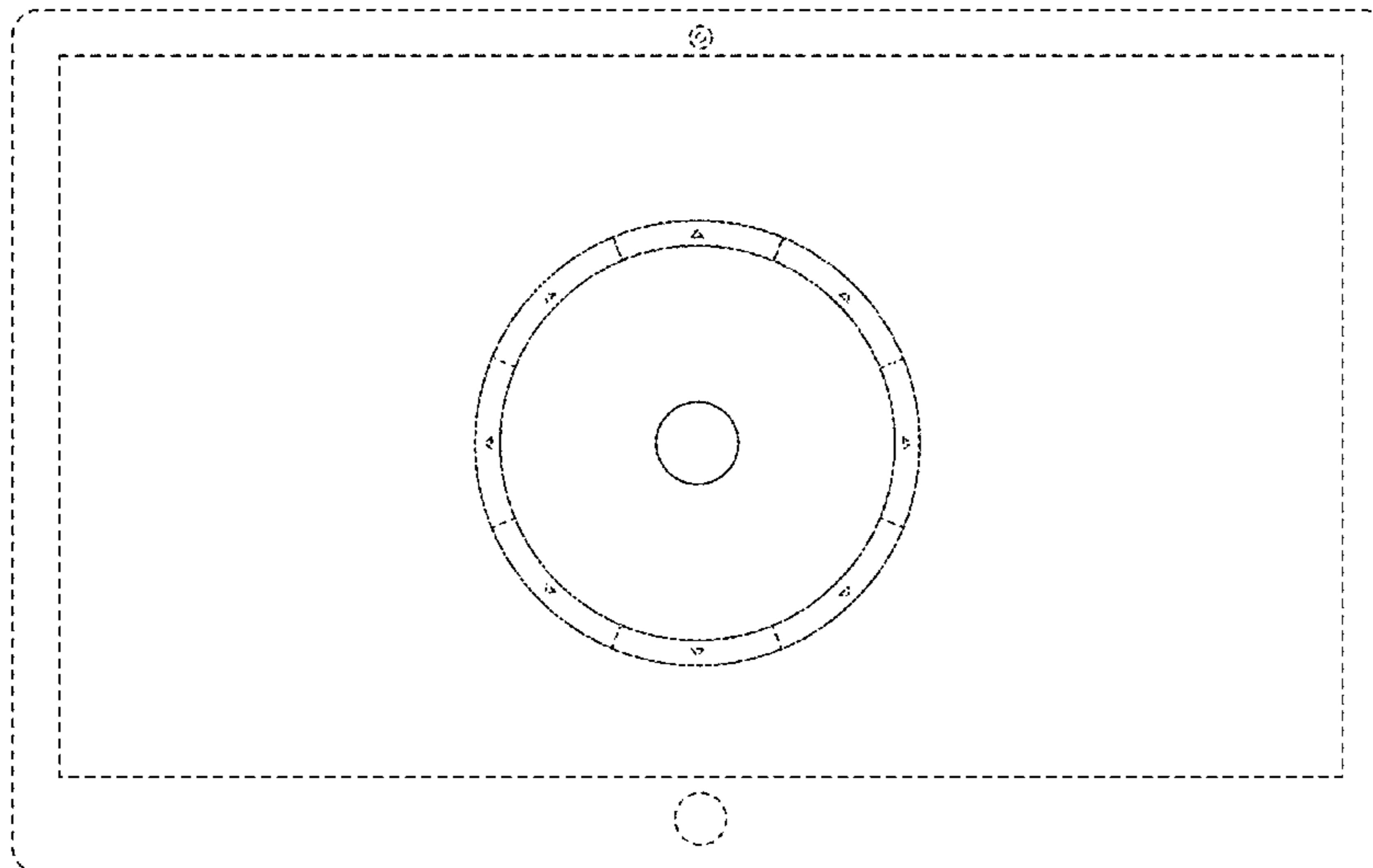
4,747,093	A *	5/1988	Benne et al.	369/280
4,974,173	A	11/1990	Stefik et al.	
5,526,341	A *	6/1996	Shiba et al.	369/275.1
5,675,570	A *	10/1997	Ohira et al.	369/275.1
D396,455	S *	7/1998	Bier	D14/489
D461,822	S	8/2002	Okuley	
D464,360	S *	10/2002	Grundel et al.	D14/485
6,549,219	B2 *	4/2003	Selker	715/834
D474,197	S *	5/2003	Nguyen	D14/486
D492,695	S *	7/2004	Suzuki et al.	D14/489
D493,177	S *	7/2004	Retuta et al.	D14/486
D493,471	S *	7/2004	McIntosh	D14/485

(57) **CLAIM**
The ornamental design for a display screen with a graphical user interface, as shown and described.

DESCRIPTION

The FIGURE is a front view of a display screen with a graphical user interface showing the new design. The broken line showing of the display screen and graphic elements is for environmental purposes only and forms no part of the claimed design.

1 Claim, 1 Drawing Sheet



(56)

References Cited

U.S. PATENT DOCUMENTS

D620,024 S 7/2010 Dunn et al.
 D622,281 S * 8/2010 Maitlen et al. D14/485
 D625,319 S 10/2010 Allen et al.
 D625,328 S * 10/2010 Fitzmaurice et al. D14/489
 D627,360 S * 11/2010 Aarseth D14/485
 D628,590 S 12/2010 Vandeberghe et al.
 D635,987 S 4/2011 Mays et al.
 D635,988 S 4/2011 Mays et al.
 D637,197 S 5/2011 Ray et al.
 D644,243 S * 8/2011 Matas D14/489
 D645,470 S * 9/2011 Matas D14/489
 D649,159 S 11/2011 Viggers et al.
 D651,611 S * 1/2012 Ouilhet et al. D14/489
 D651,613 S * 1/2012 Ouilhet D14/491
 D664,562 S * 7/2012 McCain et al. D14/489
 D667,428 S * 9/2012 Wujcik et al. D14/489
 D667,429 S * 9/2012 Wujcik et al. D14/489
 D667,430 S 9/2012 Ouilhet et al.
 D678,323 S 3/2013 Yoshida et al.
 D678,902 S * 3/2013 Evans D14/492
 D681,669 S * 5/2013 Phelan D14/489

D683,755 S 6/2013 Phelan
 D683,756 S 6/2013 Phelan
 D683,757 S 6/2013 Phelan
 D684,181 S 6/2013 Carpenter et al.
 D685,390 S 7/2013 Loken
 D685,391 S * 7/2013 Blissenbach et al. D14/492
 D688,697 S 8/2013 Phelan
 D689,098 S 9/2013 Jang et al.
 2002/0085037 A1 7/2002 Leavitt et al.
 2004/0141010 A1 * 7/2004 Fitzmaurice et al. 345/810
 2005/0010955 A1 * 1/2005 Elia et al. 725/88
 2007/0220442 A1 9/2007 Bohan et al.
 2008/0126992 A1 * 5/2008 Scheu et al. 715/835
 2010/0088594 A1 * 4/2010 Kim et al. 715/274
 2011/0083100 A1 4/2011 Fyke et al.
 2013/0019174 A1 1/2013 Gil et al.
 2013/0019175 A1 1/2013 Kotler et al.
 2013/0019182 A1 1/2013 Gil et al.
 2013/0019203 A1 1/2013 Kotler et al.
 2013/0019205 A1 1/2013 Gil et al.
 2013/0019206 A1 1/2013 Kotler et al.
 2013/0019208 A1 1/2013 Kotler et al.
 2013/0212529 A1 8/2013 Amarnath

* cited by examiner

