



US00D712906S

(12) **United States Design Patent**
Wengreen et al.

(10) **Patent No.:** **US D712,906 S**
(45) **Date of Patent:** **** Sep. 9, 2014**

(54) **MOUNTING SYSTEM FOR DIGITAL MEDIA PLAYERS**

PDP Mounting Clip—Part 1 (downloaded on Nov. 13, 2013 from <http://www.amazon.com/Kinect-Sensor-TV-Mounting-Clip-Xbox/dp/B004XV6ST4>).

(71) Applicant: **Innovelis, Inc.**, Issaquah, WA (US)

(Continued)

(72) Inventors: **Brian Jeffrey Wengreen**, Maple Valley, WA (US); **Eric John Wengreen**, Issaquah, WA (US); **Wesley Edward Schwie**, Philadelphia, PA (US)

Primary Examiner — Deanna L Pratt
Assistant Examiner — Katie Mroczka

(73) Assignee: **Innovelis, Inc.**, Sammamish, WA (US)

(57) **CLAIM**

The ornamental design for a mounting system for digital media players, as shown and described.

(**) Term: **14 Years**

DESCRIPTION

(21) Appl. No.: **29/450,229**

(22) Filed: **Mar. 15, 2013**

Cross reference to U.S. Utility patent application Ser. No. 13/779,733, filed on Feb. 27, 2013, U.S. Utility patent application Ser. No. 13/781,717 filed on Feb. 28, 2013, U.S. patent application Ser. No. 13/278,759 filed on Oct. 21, 2011, and U.S. patent application Ser. No. 13/332,373 filed on Dec. 21, 2011, all of which are herein incorporated by reference.

(51) **LOC (10) Cl.** **08-07**

(52) **U.S. Cl.**
USPC **D14/451**

(58) **Field of Classification Search**
USPC D14/371–382, 125–129, 336, 337, 448, D14/450–452, 492, 335, 447, 239; 341/12; 345/104, 156, 168, 173; 348/180, 184, 348/325, 739, 825; 349/1, 2, 11, 62; 361/679.02, 679.04–679.07, 679.09, 361/679.21, 679.22, 679.26, 679.3; D8/349, 354, 363, 373, 376, 380, 72; 248/519, 534, 541, 58, 125.8, 127, 248/131, 133, 139, 176.1, 176.3, 188.5, 248/279.1, 333, 917–924; 379/454, 455; 312/223.3; D16/208, 235, 242; D6/300, 567

See application file for complete search history.

FIG. 1 is a perspective view of the mounting system in accordance with the present design;
FIG. 2 is a top side perspective view thereof;
FIG. 3 is another top side perspective view thereof, in an alternate position;
FIG. 4 is another top side perspective view, in an alternate position;
FIG. 5 is a side perspective view thereof, in an alternate position;
FIG. 6 is a bottom side perspective view thereof;
FIG. 7 is another bottom side perspective view thereof;
FIG. 8 is another bottom side perspective view thereof, the right side being a mirror image;
FIG. 9 is a left side perspective view thereof, the right side being a mirror image;
FIG. 10 is another left side perspective view thereof, in an alternate position, the right side being a mirror image; and,
FIG. 11 is another left side perspective view thereof, in an alternate position, the right side being a mirror image.
The broken lines form no part of the claimed design. The text shown in the accompanying drawings (e.g., shown in FIGS. 1 and 8) forms no part of the claimed design.

(56) **References Cited**

U.S. PATENT DOCUMENTS

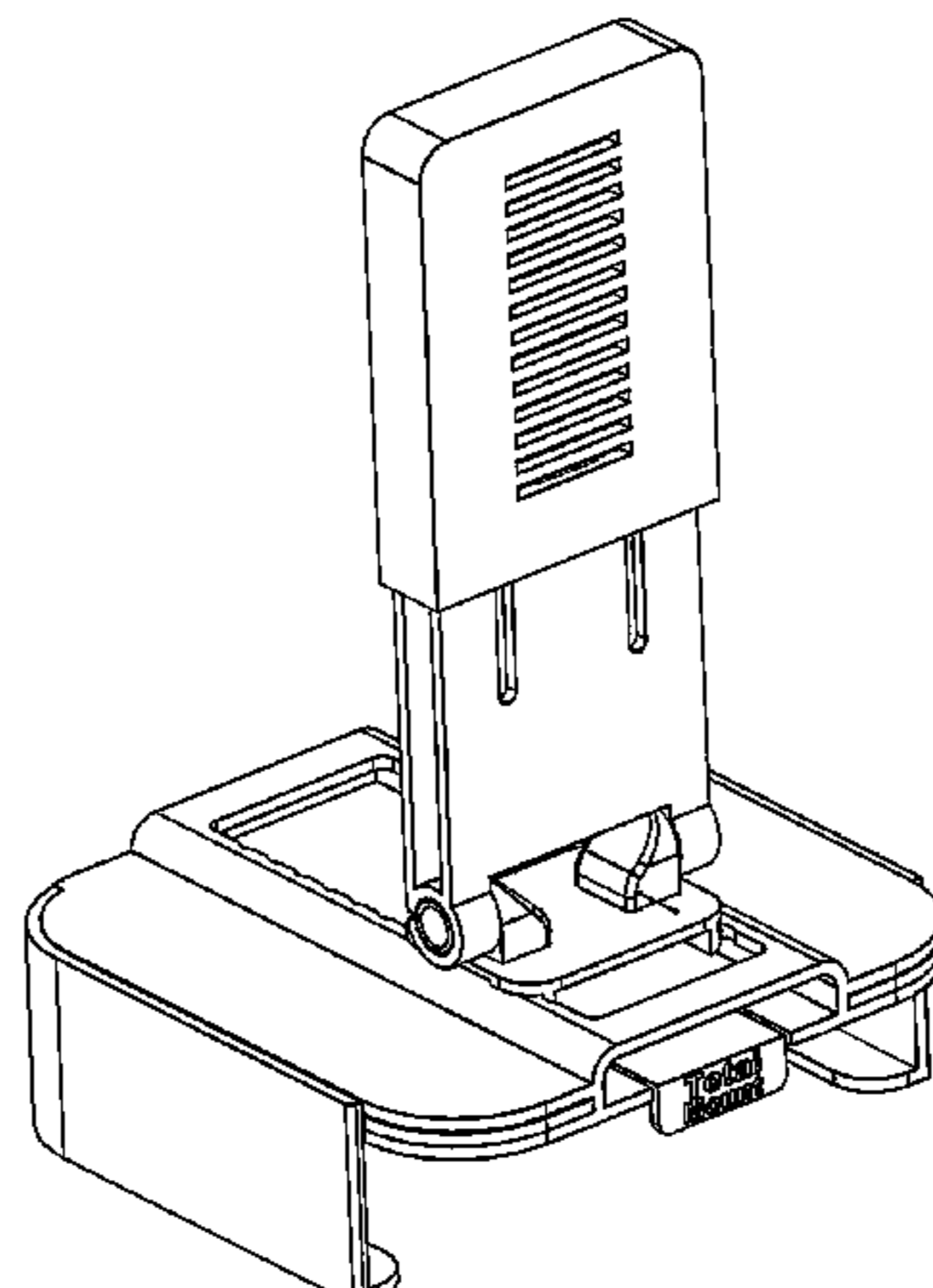
D388,107 S * 12/1997 Huckins D16/208
D443,493 S * 6/2001 Skeem D8/72

(Continued)

OTHER PUBLICATIONS

CTA Digital—Website (downloaded on Nov. 13, 2013 from <http://www.ctadigital.com/downloads/KIN-WMC-final.pdf>).

1 Claim, 11 Drawing Sheets



(56)

References Cited

U.S. PATENT DOCUMENTS

D535,826	S	*	1/2007	Toghianian	D6/300
D545,343	S	*	6/2007	Braun	D16/242
D560,411	S	*	1/2008	Chung	D6/567
D565,399	S	*	4/2008	Grey	D8/380
D570,801	S	*	6/2008	Allen	D13/199
D598,945	S	*	8/2009	Gillespie	D16/235
D624,949	S	*	10/2010	Nakayama et al.	D16/235
2012/0126081	A1		5/2012	Wengreen		
2012/0127379	A1		5/2012	Wengreen		

OTHER PUBLICATIONS

PDP Mounting Clip—Part 2 (downloaded on Nov. 13, 2013 from http://www.microsoftstore.com/store/msusa/en_US/pdp/Kinect-Sensor-TV-Mounting-Clip/productID.253726200).

PDP Mounting Clip—Part 3 (downloaded on Nov. 13, 2013 from <http://www.bestbuy.com/site/pdp/sensor-mounting-clip-for-kinect/3521258.p?id=1218408957863&skuId=3521258>).

ScreenDeck (downloaded on Nov. 13, 2013 from http://news.cnet.com/8301-17938_105-20071226-1/screendeck-adds-top-shelf-to-your-flat-panel-tv/).

Center Stage Bracket—Part 1 (downloaded on Nov. 13, 2013 from <http://www.bestbuy.com/site/center-stage-bracket-satellite-center-channel-speaker-shelf-bracket-black/5857191.p?id=1218697292805&skuId=5857191>).

Center Stage Bracket—Part 2 (downloaded on Nov. 13, 2013 from <http://www.bestbuy.com/site/center-stage-bracket-satellite-center-channel-speaker-shelf-bracket-black/5857191.p?id=1218697292805&skuId=5857191>).

DreamGear TriMount (downloaded on Nov. 14, 2013 from <http://www.dreamgear.net/shop-by-platform/universal/trimount.html>).

* cited by examiner

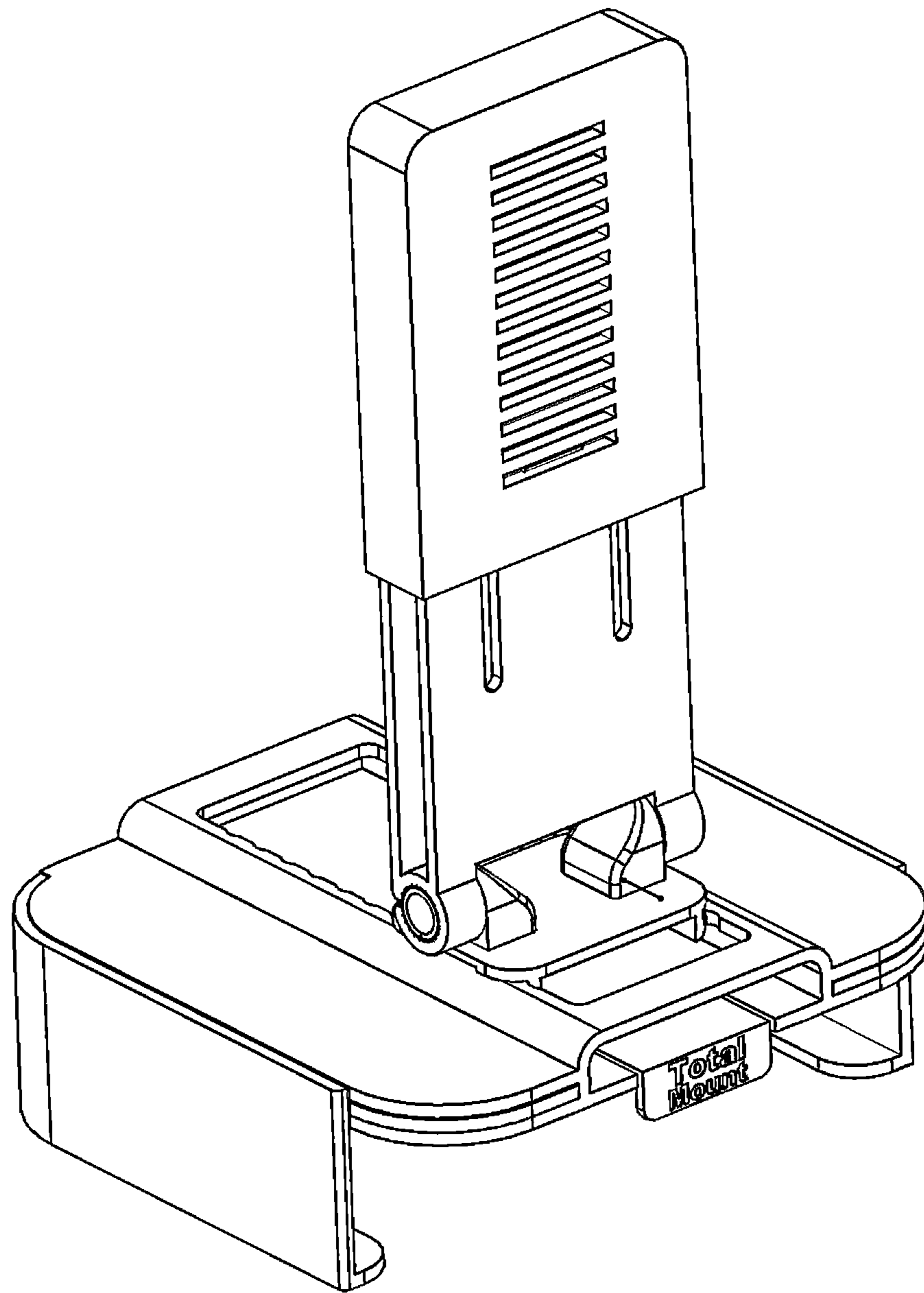


Fig. 1

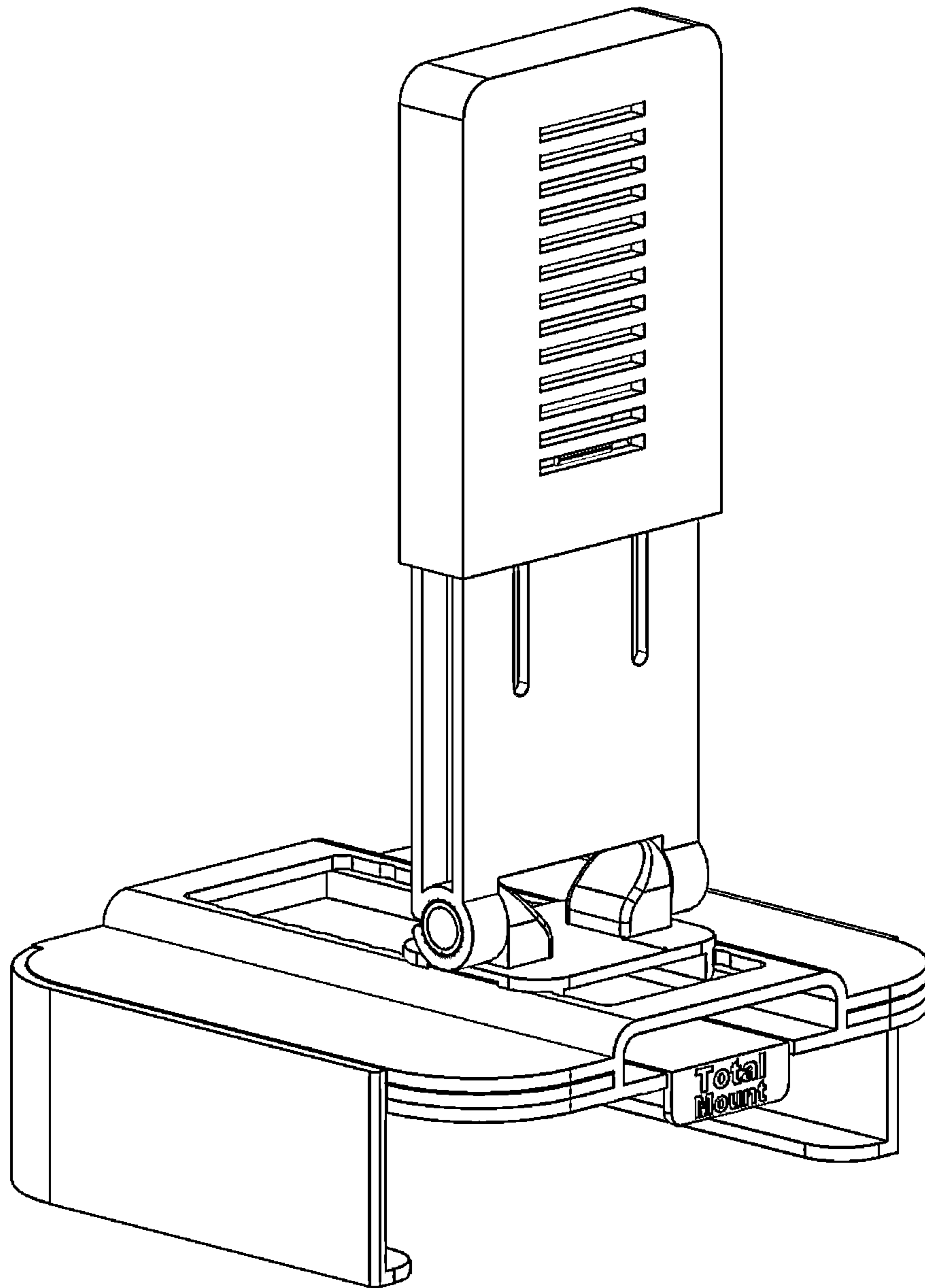


Fig. 2

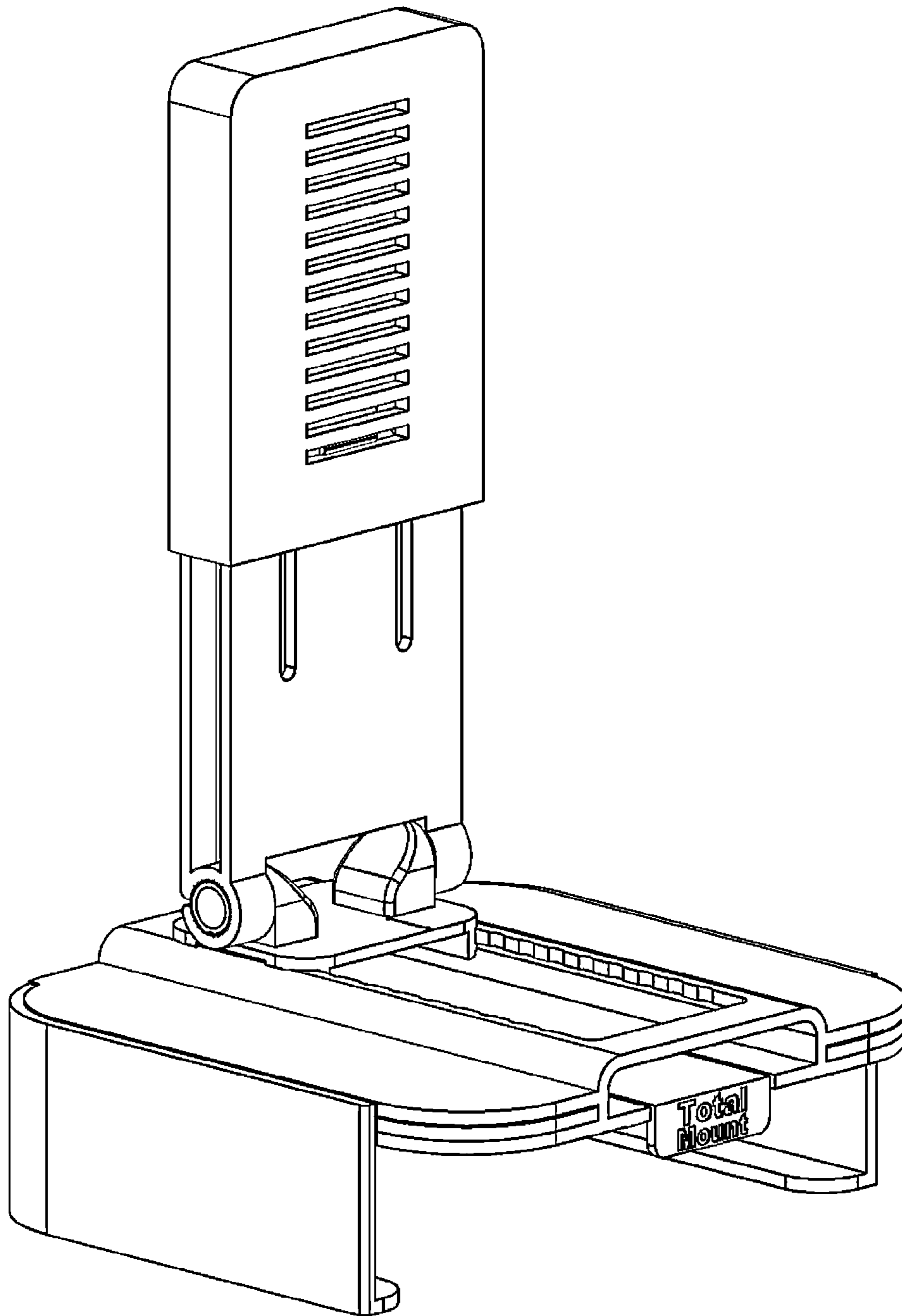


Fig. 3

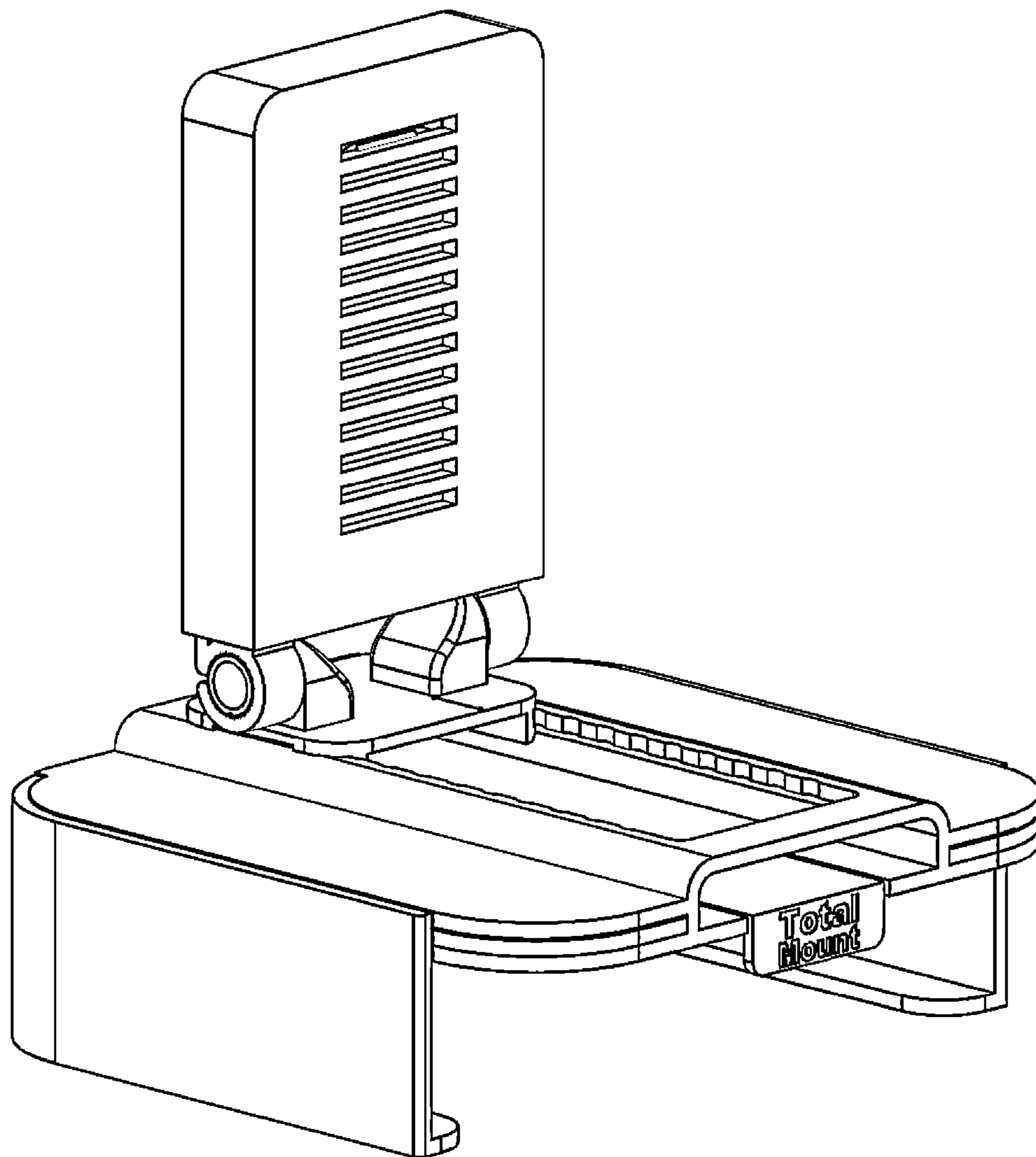


Fig. 4

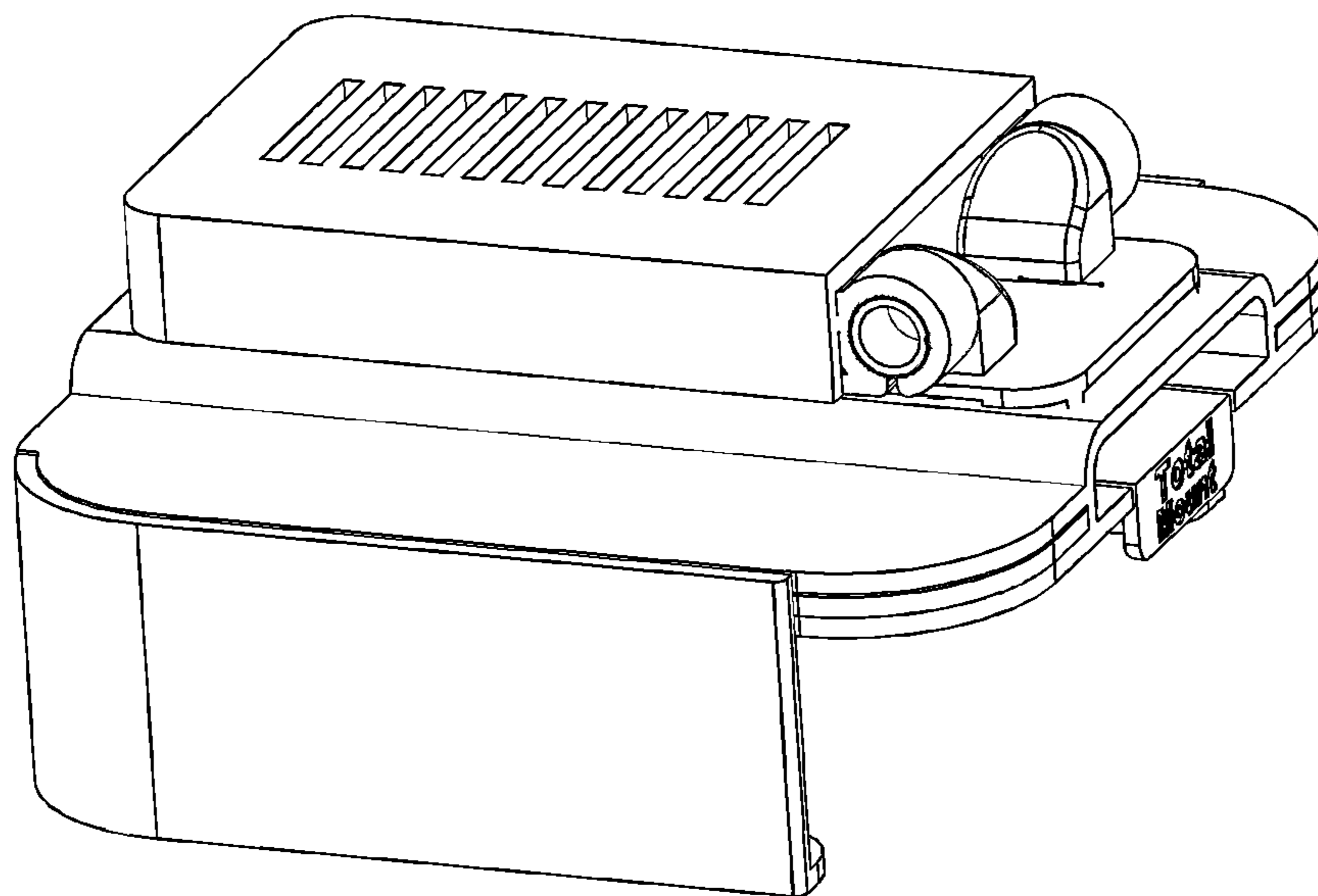


Fig. 5

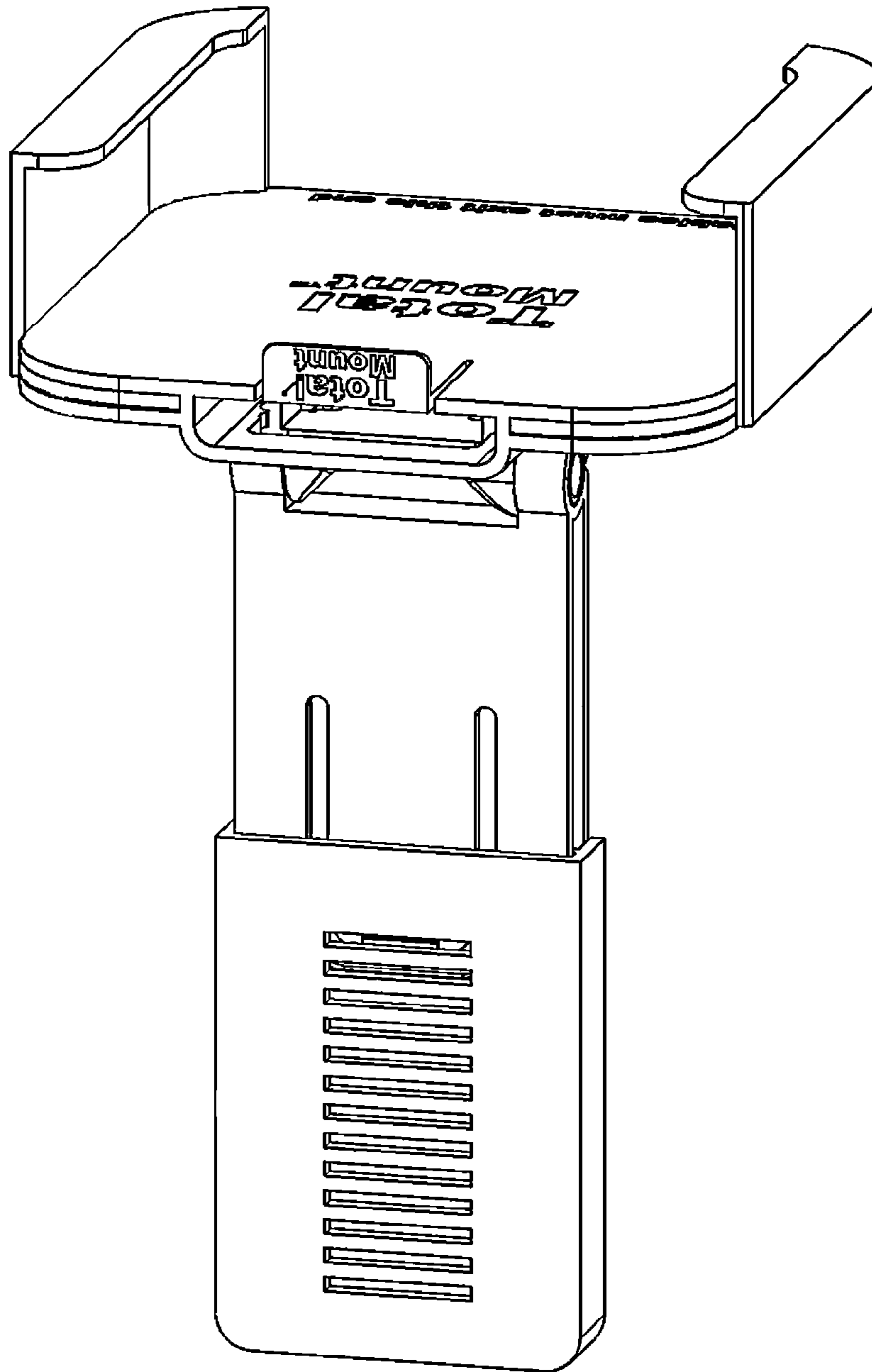


Fig. 6

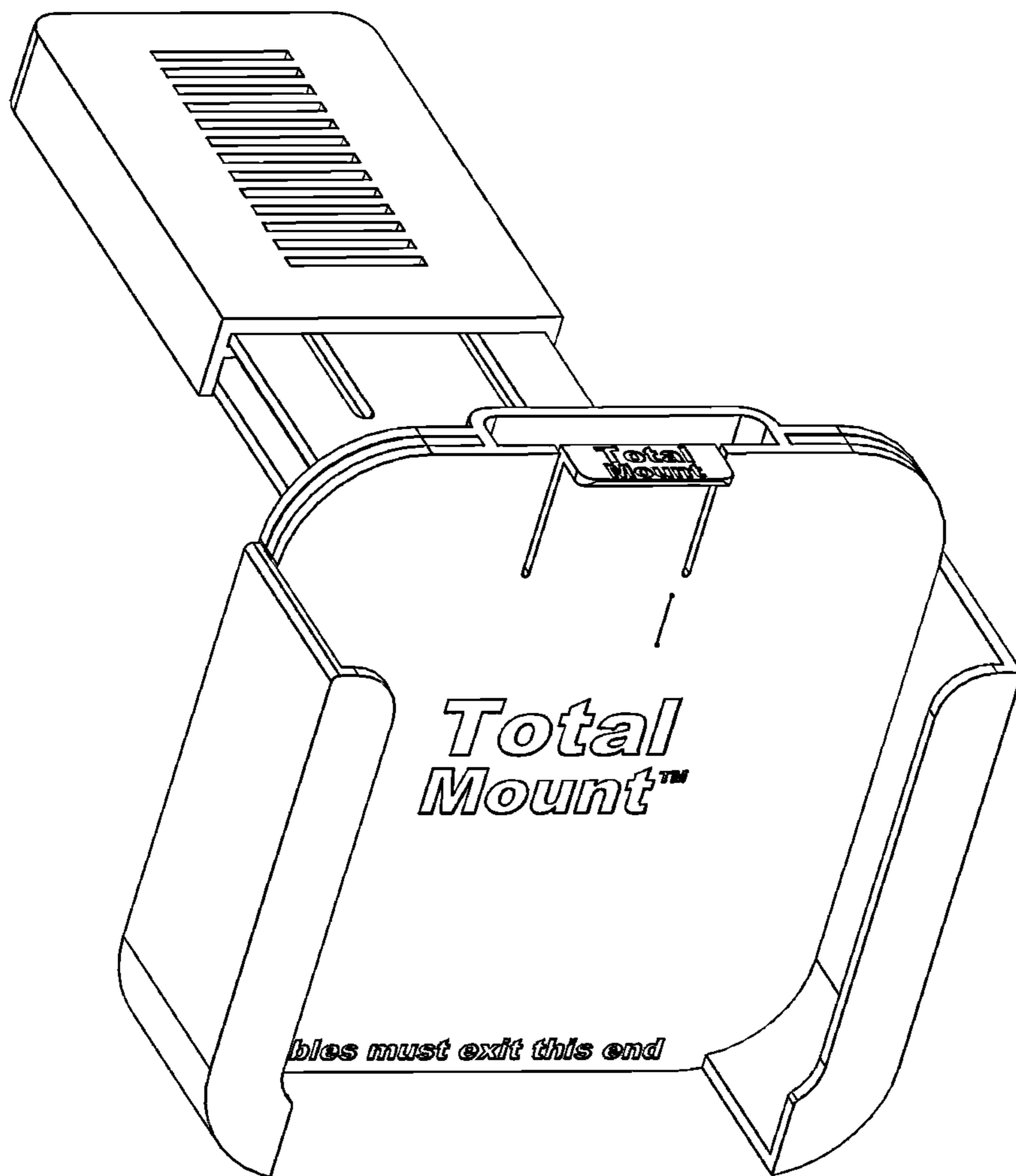


Fig. 7



Fig. 8

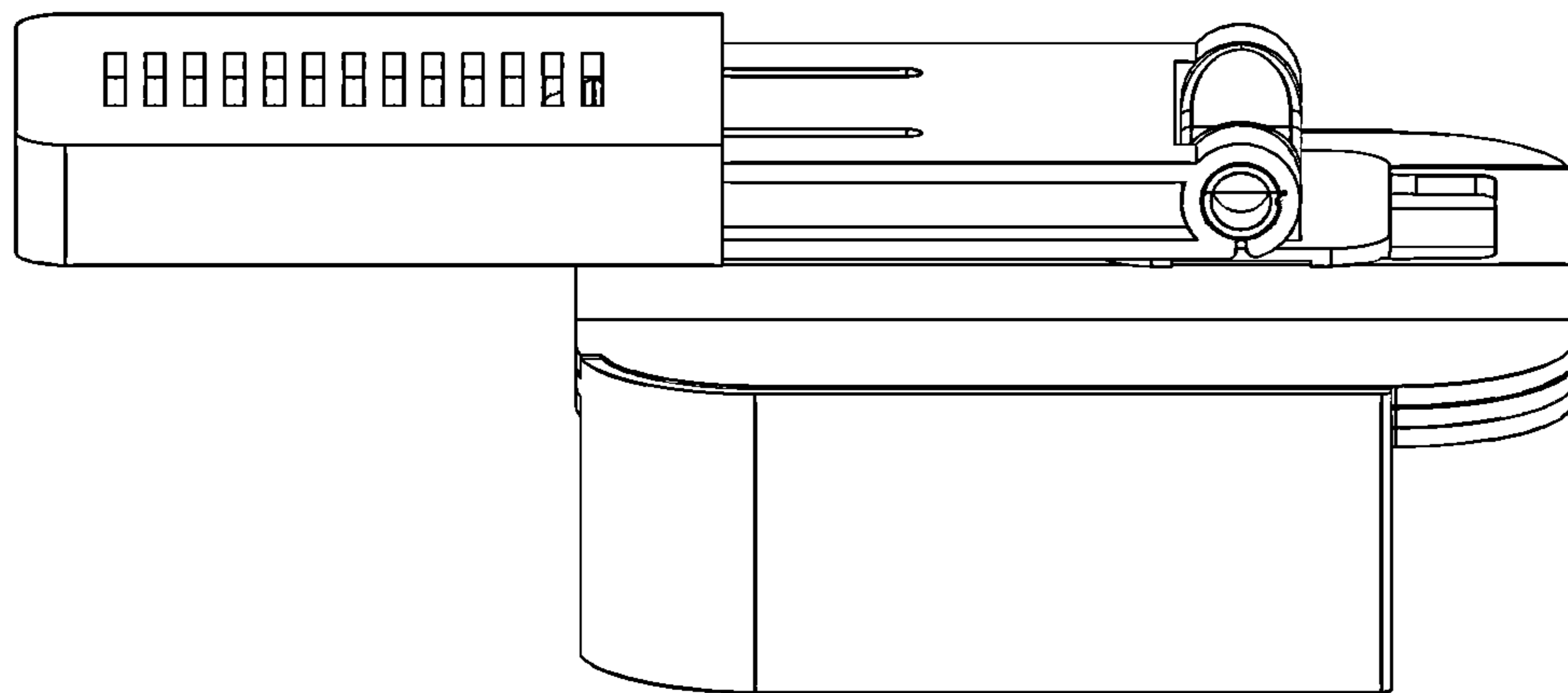


Fig. 9

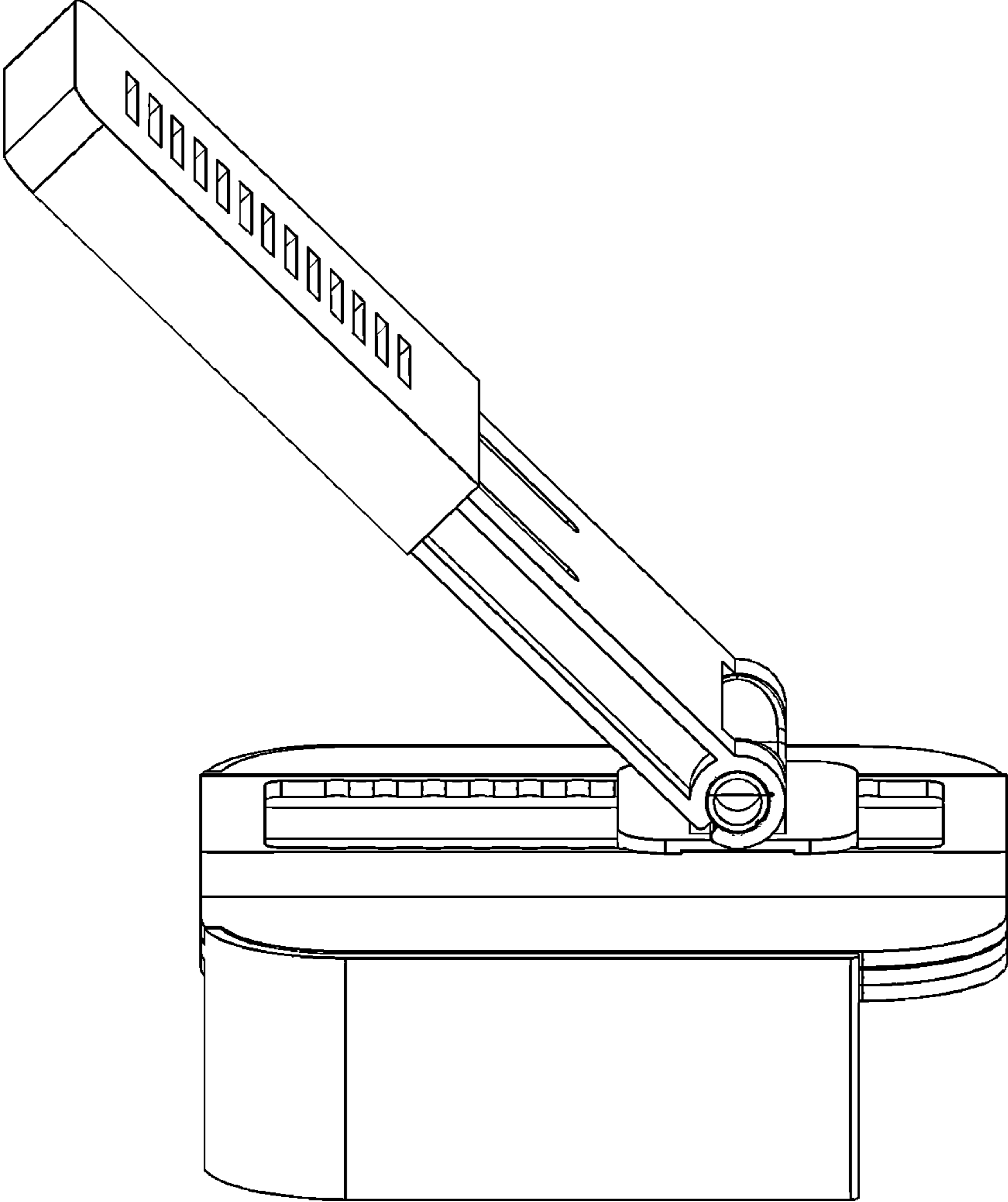


Fig. 10

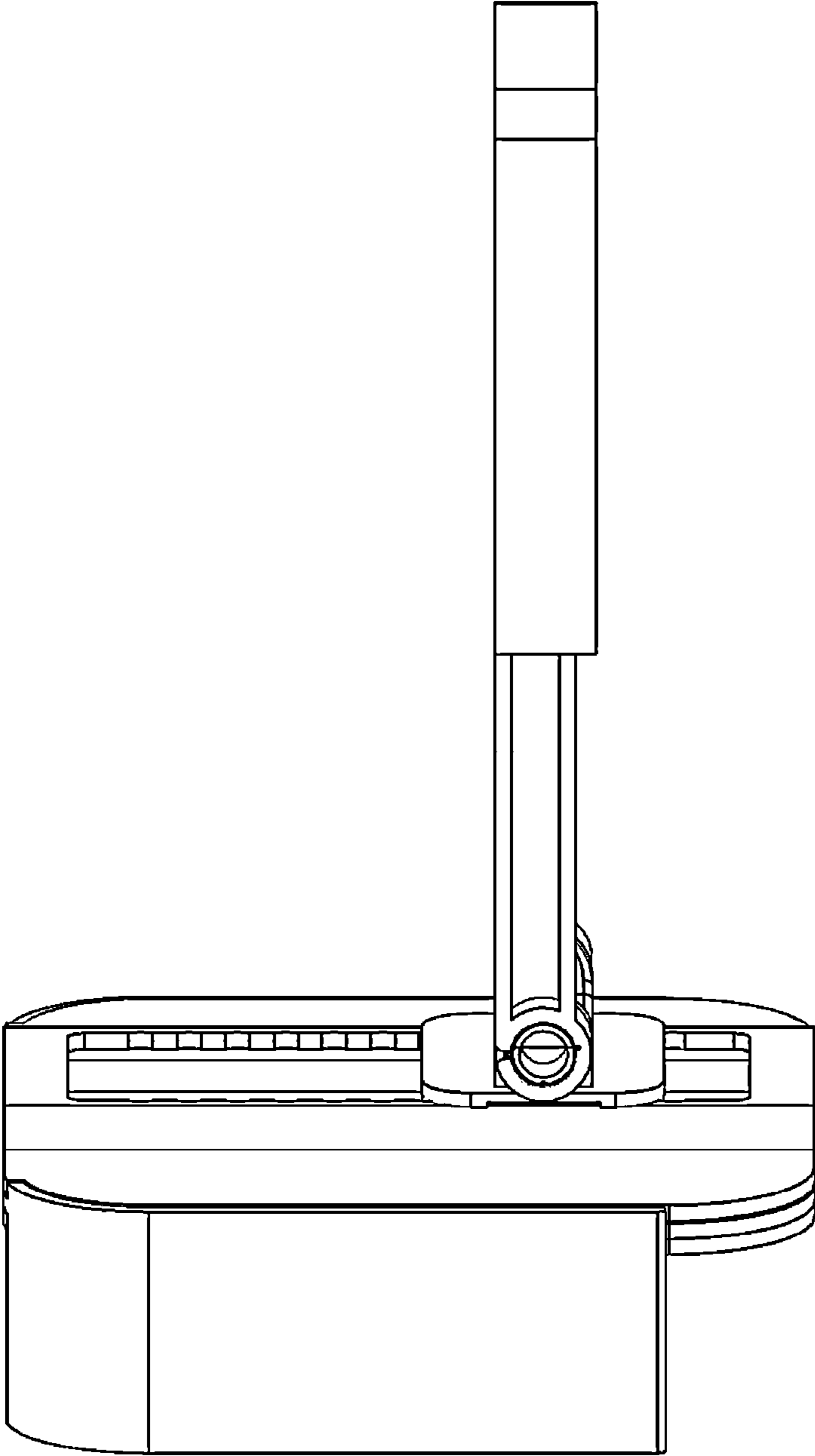


Fig. 11