



US00D712905S

(12) **United States Design Patent**
Miyazaki et al.

(10) **Patent No.:** **US D712,905 S**

(45) **Date of Patent:** **** Sep. 9, 2014**

(54) **STAND FOR ELECTRONIC DEVICE**

(56) **References Cited**

(71) Applicant: **Samsung Electronics Co., Ltd.**,
Suwon-si (KR)

U.S. PATENT DOCUMENTS

(72) Inventors: **Hirohisa Miyazaki**, Tokyo (JP);
Byeong-Yong Song, Goyang-si (KR);
Jin-Soo Ha, Seoul (KR)

D482,039	S	*	11/2003	Chen et al.	D14/447
D602,938	S	*	10/2009	Ward et al.	D14/434
D652,832	S	*	1/2012	Wu et al.	D14/373
D670,690	S	*	11/2012	Daniel et al.	D14/253
D672,782	S	*	12/2012	Gross	D14/447
D680,122	S	*	4/2013	Yang	D14/447
D681,614	S	*	5/2013	Masui	D14/239
D685,796	S	*	7/2013	Paschke et al.	D14/434

(73) Assignee: **Samsung Electronics Co., Ltd.** (KR)

(Continued)

(**) Term: **14 Years**

Primary Examiner — Angela J Lee

(21) Appl. No.: **29/472,630**

(74) *Attorney, Agent, or Firm* — Cantor Colburn LLP

(22) Filed: **Nov. 14, 2013**

(57) **CLAIM**

The ornamental design for a stand for electronic device, as shown and described.

(30) **Foreign Application Priority Data**

DESCRIPTION

May 15, 2013 (KR) 30-2013-0025611

(51) **LOC (10) Cl.** **08-07**

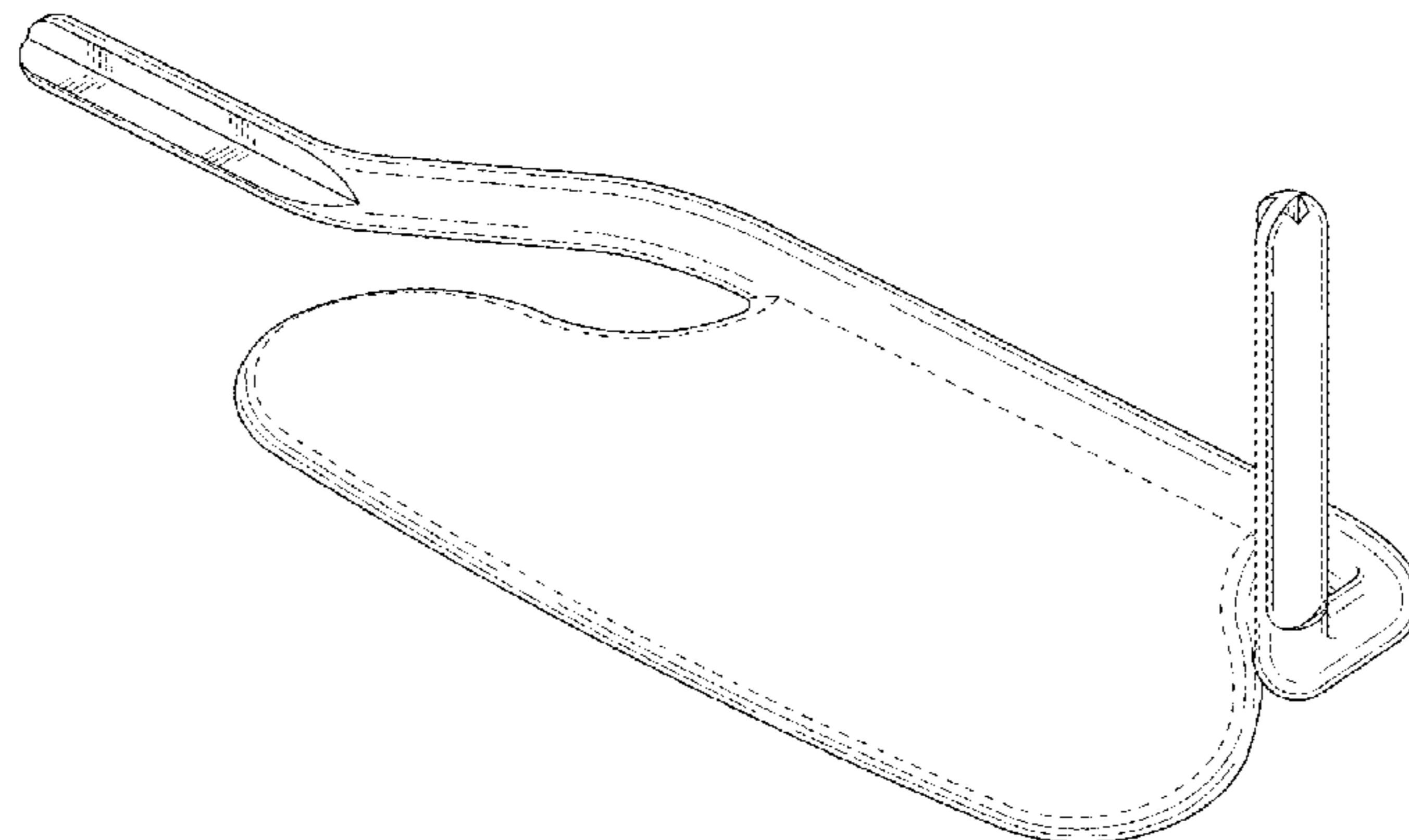
(52) **U.S. Cl.**
USPC **D14/447**

(58) **Field of Classification Search**
 CPC A47B 2097/005; A47B 2097/006;
 A47B 21/04; A47B 2021/00; A47B 23/00;
 A47B 23/043; A47B 2021/0314; A47B
 2021/0307; A47B 2023/005; A47B 2023/049;
 F16B 13/00; F16B 2200/00; H04B 1/3888;
 H04M 1/04; H04M 1/185; A45C 2011/002;
 A45C 2011/003; A45C 2013/025
 USPC D14/447, 432, 434, 439, 440, 451, 452,
 D14/457, 460, 461, 238.1, 250, 251, 253;
 D3/218; D6/406.3, 406.4, 406.5,
 D6/406.6; 248/444, 441.1, 188.6,
 248/917-924; 361/679.02, 679.03, 679.04,
 361/679.09, 679.21, 679.26, 679.27, 679.3,
 361/679.55, 679.56

FIG. 1 is a top front perspective view of a stand for electronic device showing our new design;
 FIG. 2 is a front view thereof;
 FIG. 3 is a rear view thereof;
 FIG. 4 is a side view thereof;
 FIG. 5 is another side view thereof;
 FIG. 6 is a top view thereof;
 FIG. 7 is a bottom view thereof;
 FIG. 8 is another top front perspective view thereof showing the stand for electronic device in another configuration;
 FIG. 9 is another top front perspective view thereof, showing the stand for electronic device supporting an electronic device in another electronic device environment;
 FIG. 10 is another top front perspective view thereof, showing the stand for electronic device supporting an electronic device in another electronic device environment; and,
 FIG. 11 is another top front perspective view thereof, showing the stand for electronic device is supporting an electronic device and additional electronic device in another electronic device environment. The broken lines illustrating portions of the stand for electronic device are for environmental purposes only and form no part of the claimed design.

See application file for complete search history.

1 Claim, 8 Drawing Sheets



US D712,905 S

Page 2

(56)

References Cited

U.S. PATENT DOCUMENTS

D689,500 S * 9/2013 Faulk D14/447
D694,219 S * 11/2013 Parraga Gimeno D14/217

D696,261 S * 12/2013 Weldon D14/447
D703,675 S * 4/2014 Jensen et al. D14/447
2007/0075195 A1* 4/2007 Chen et al. 248/157

* cited by examiner

FIG.1

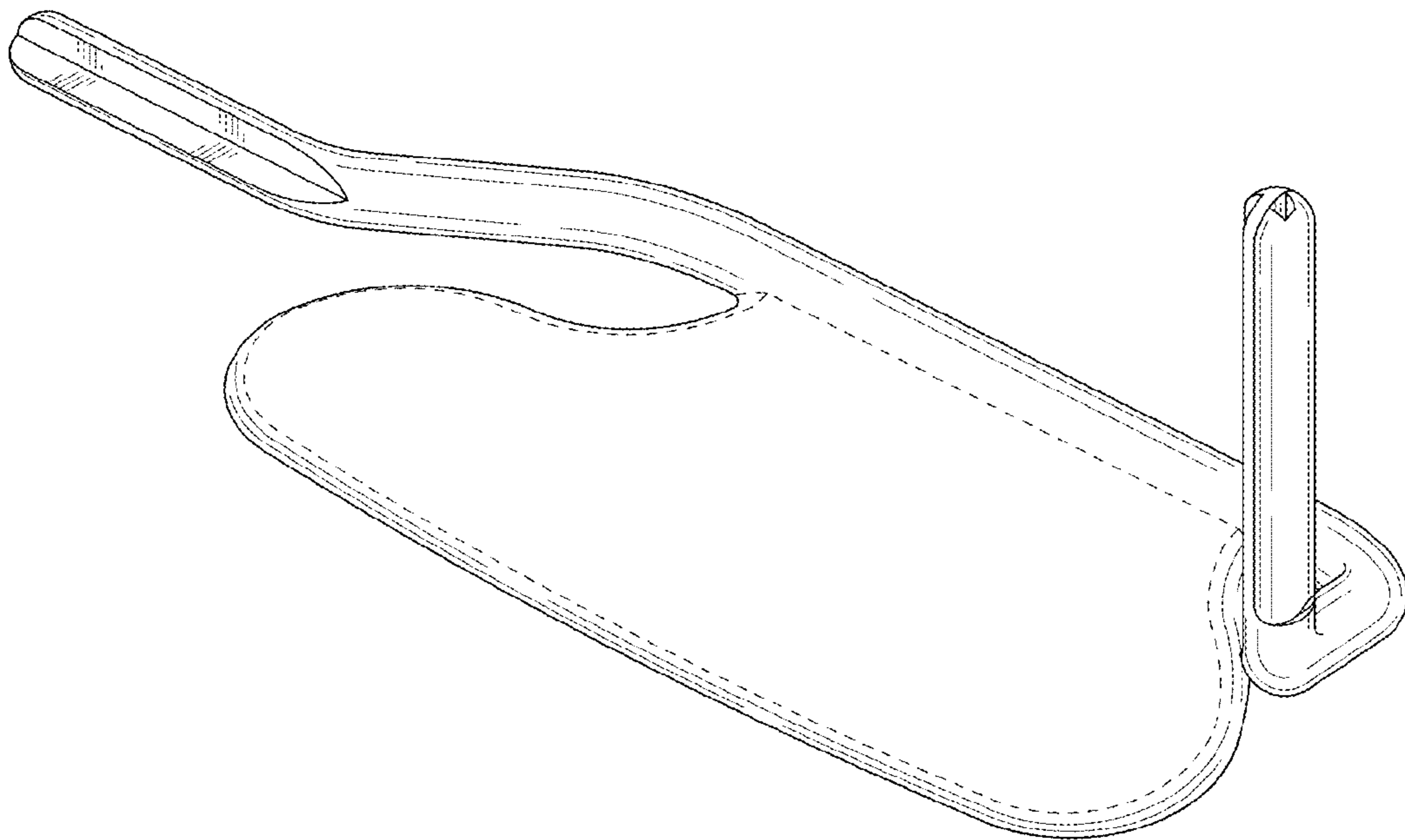


FIG.2

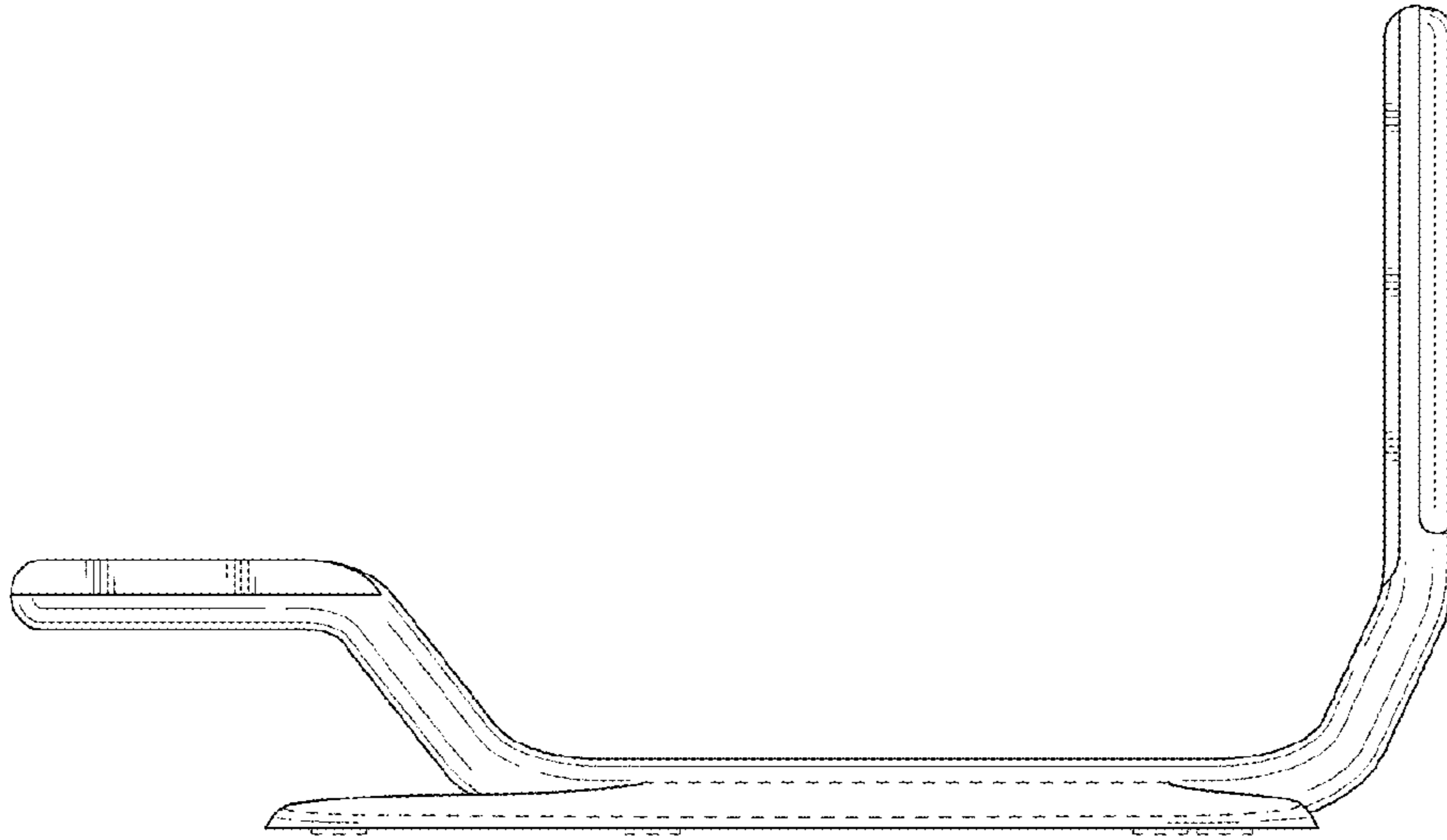


FIG.3

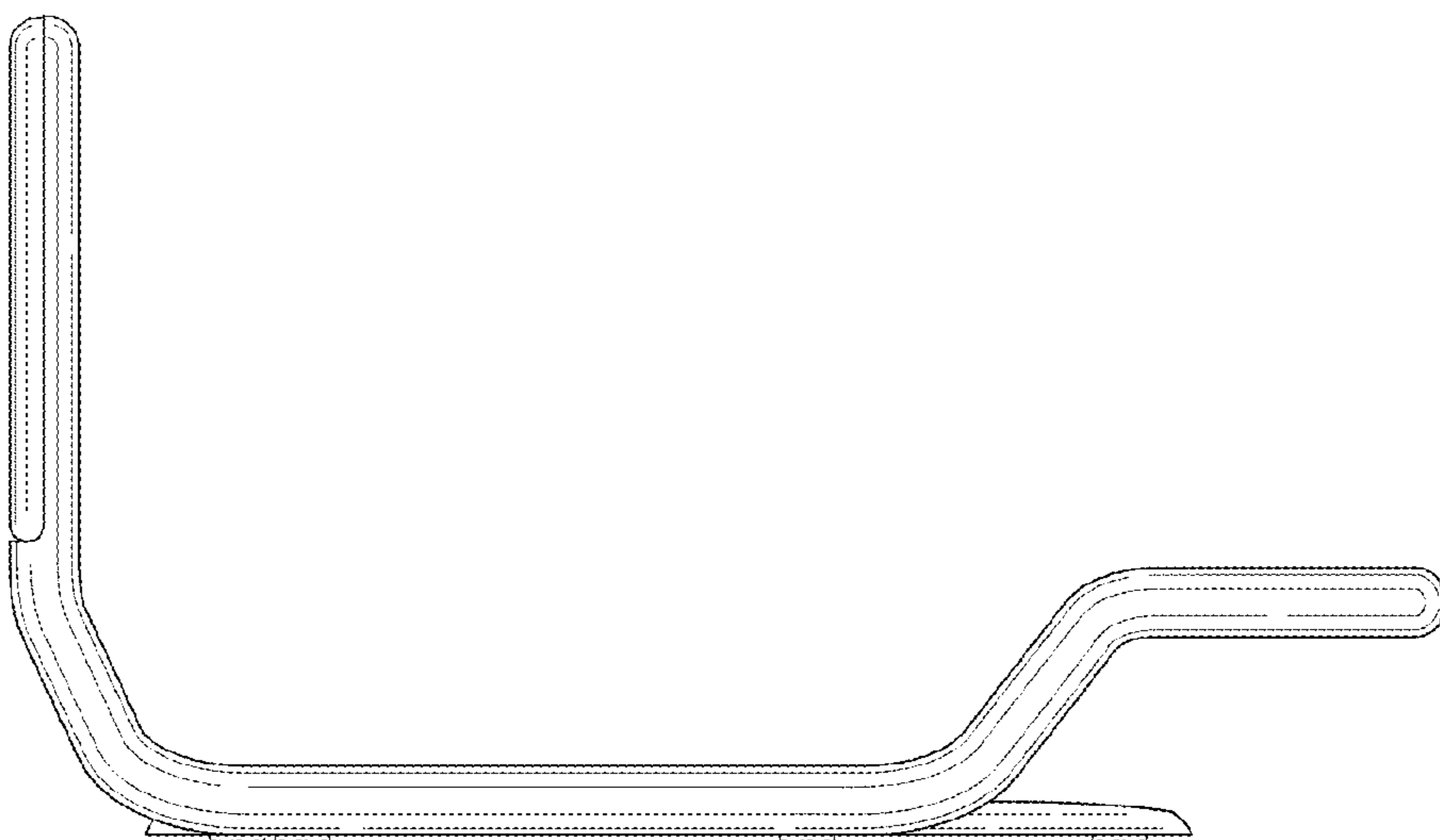


FIG.4

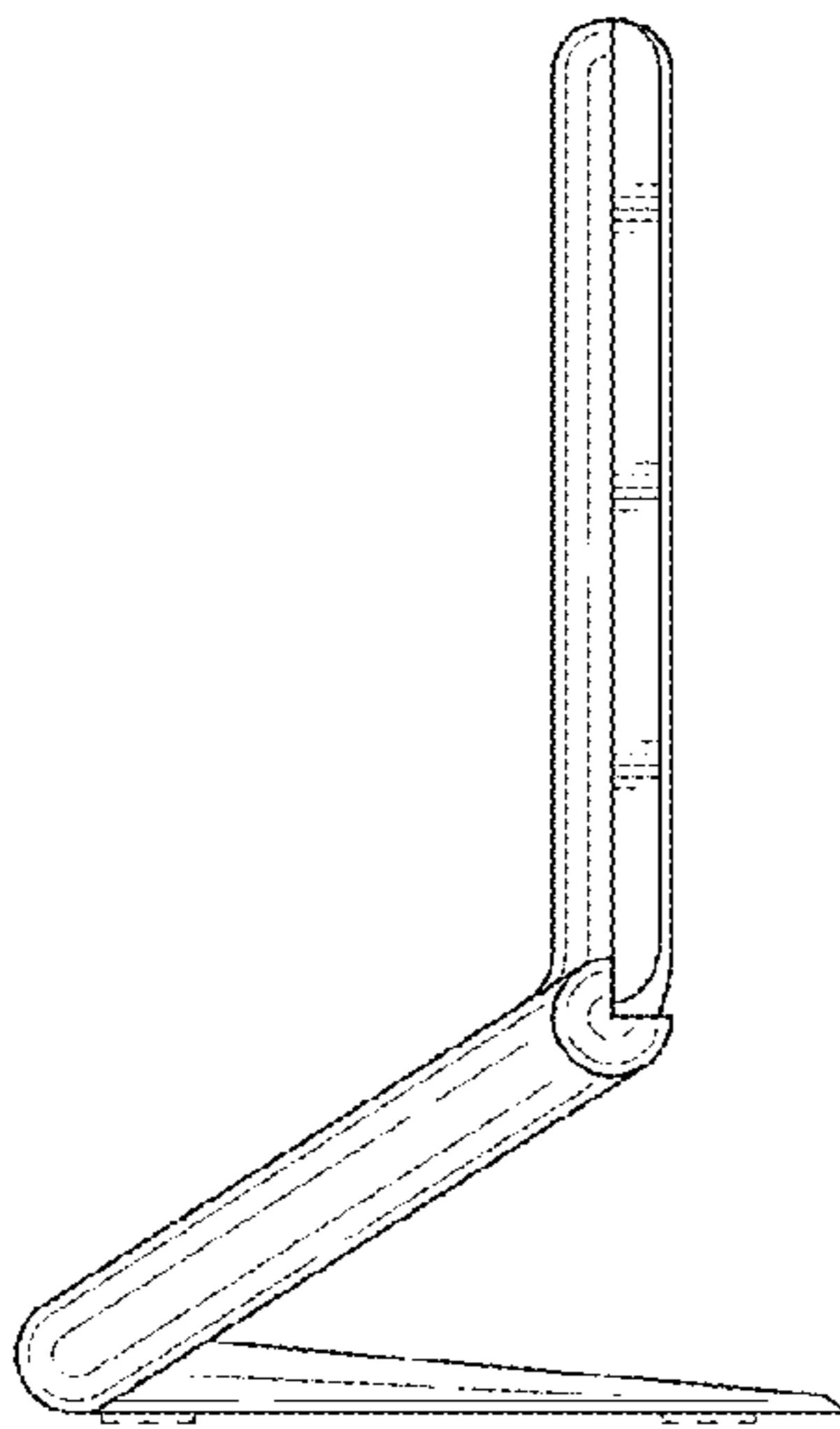


FIG.5

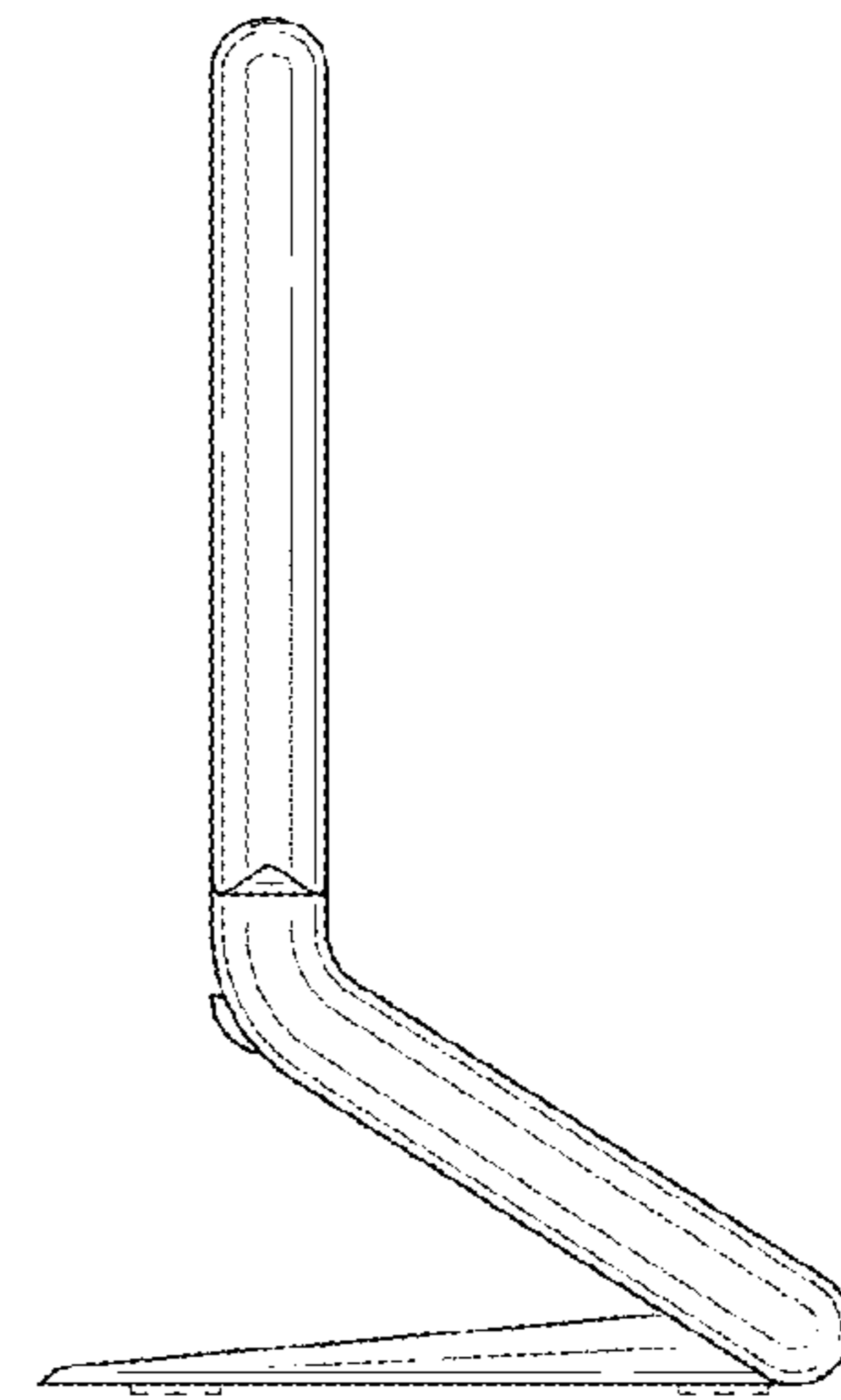


FIG.6

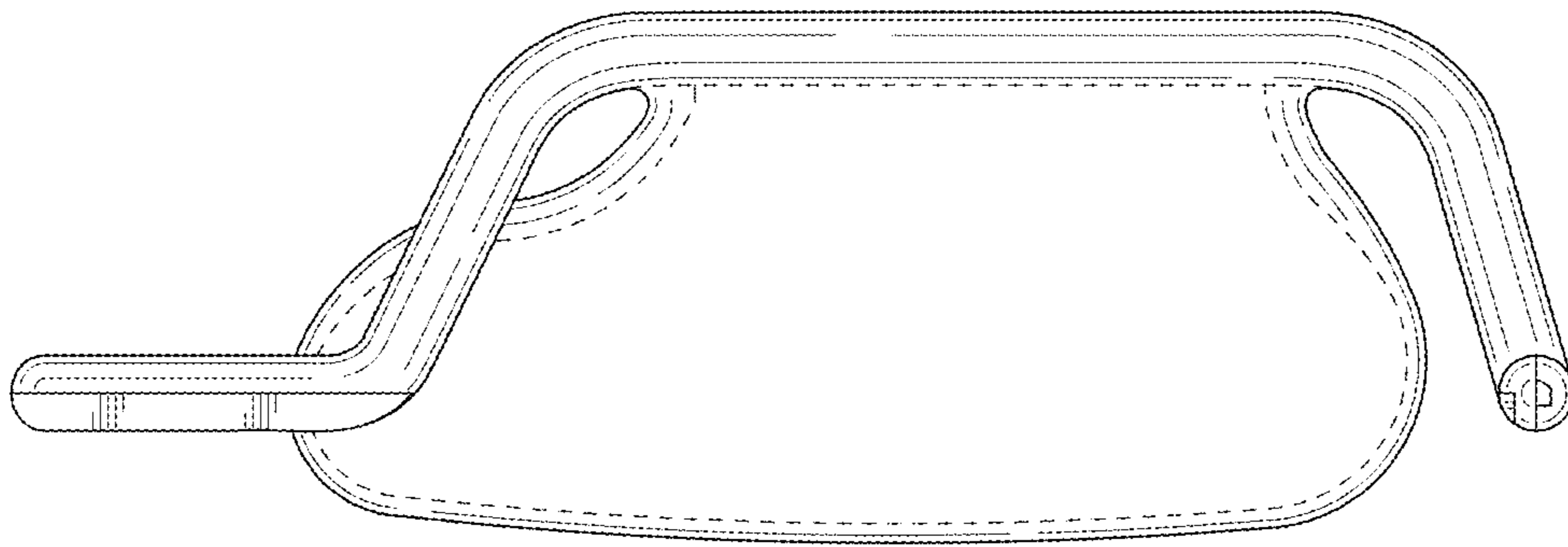


FIG.7

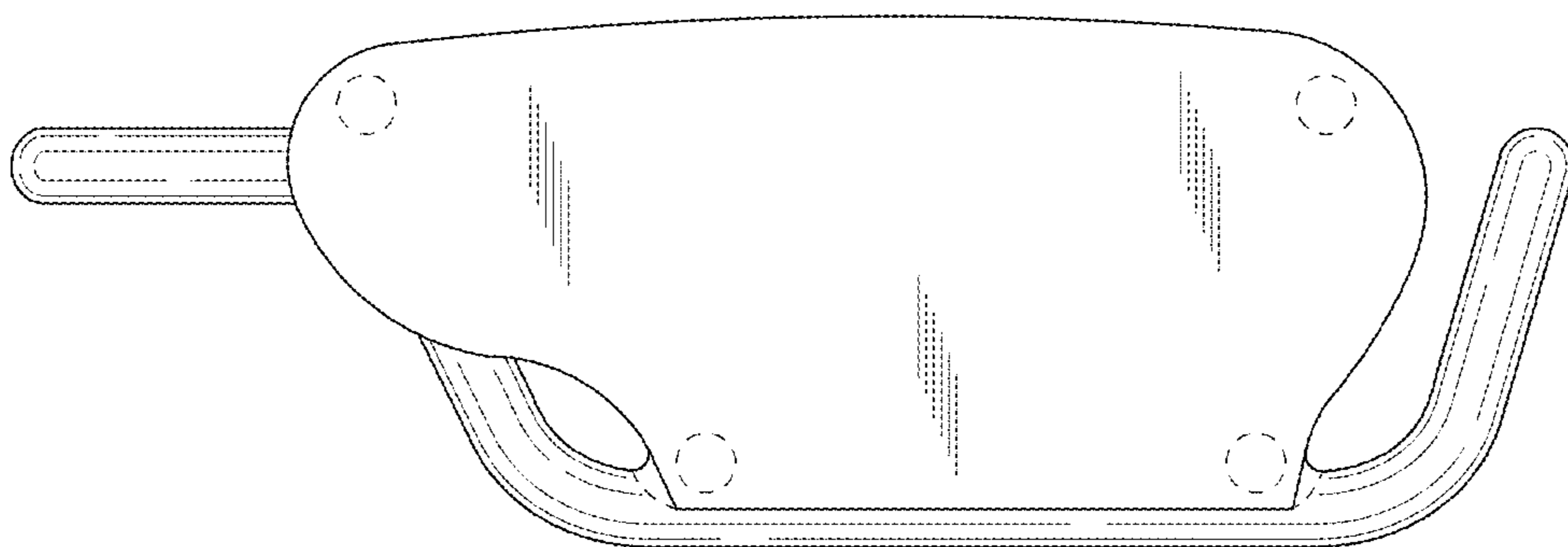


FIG.8

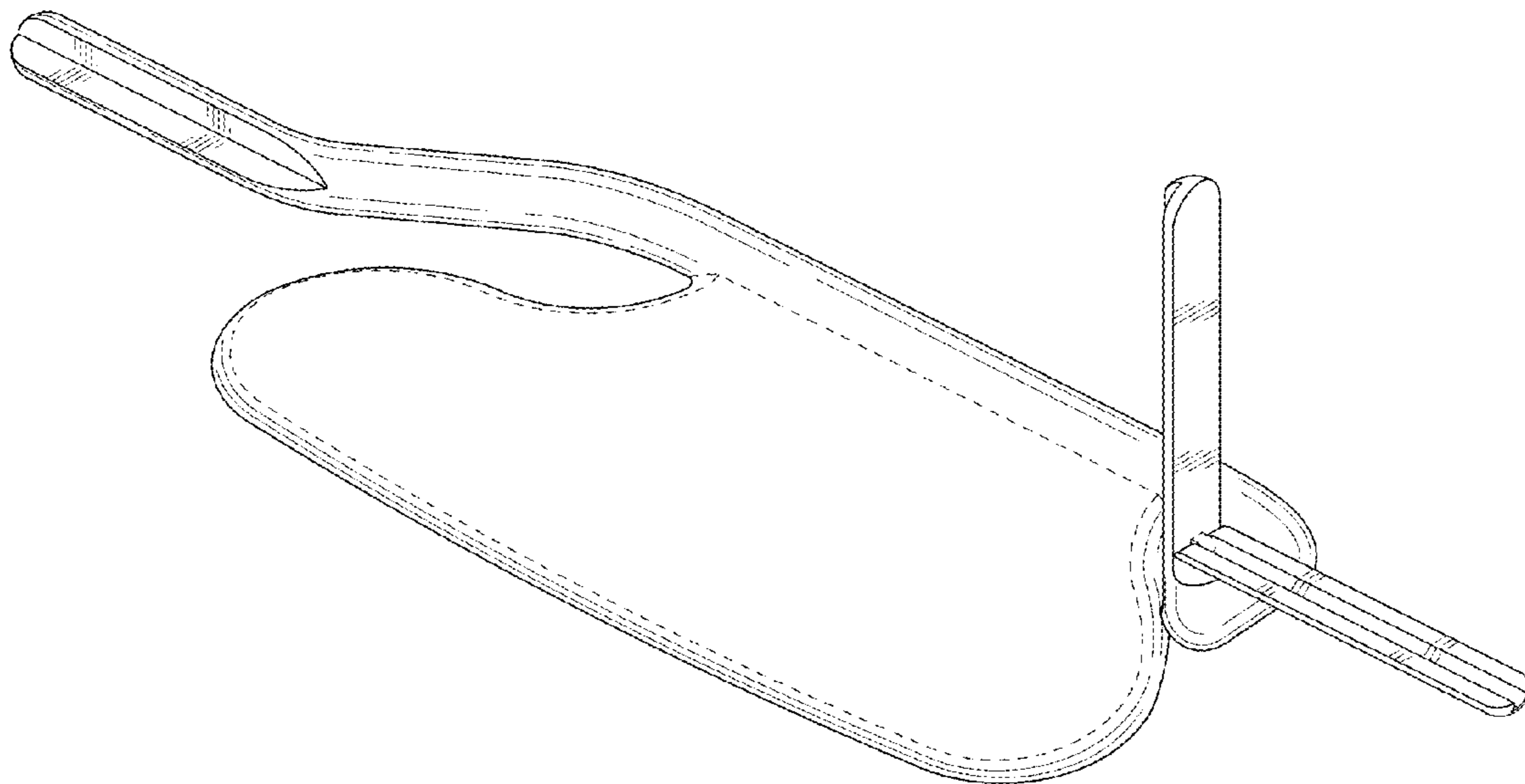


FIG.9

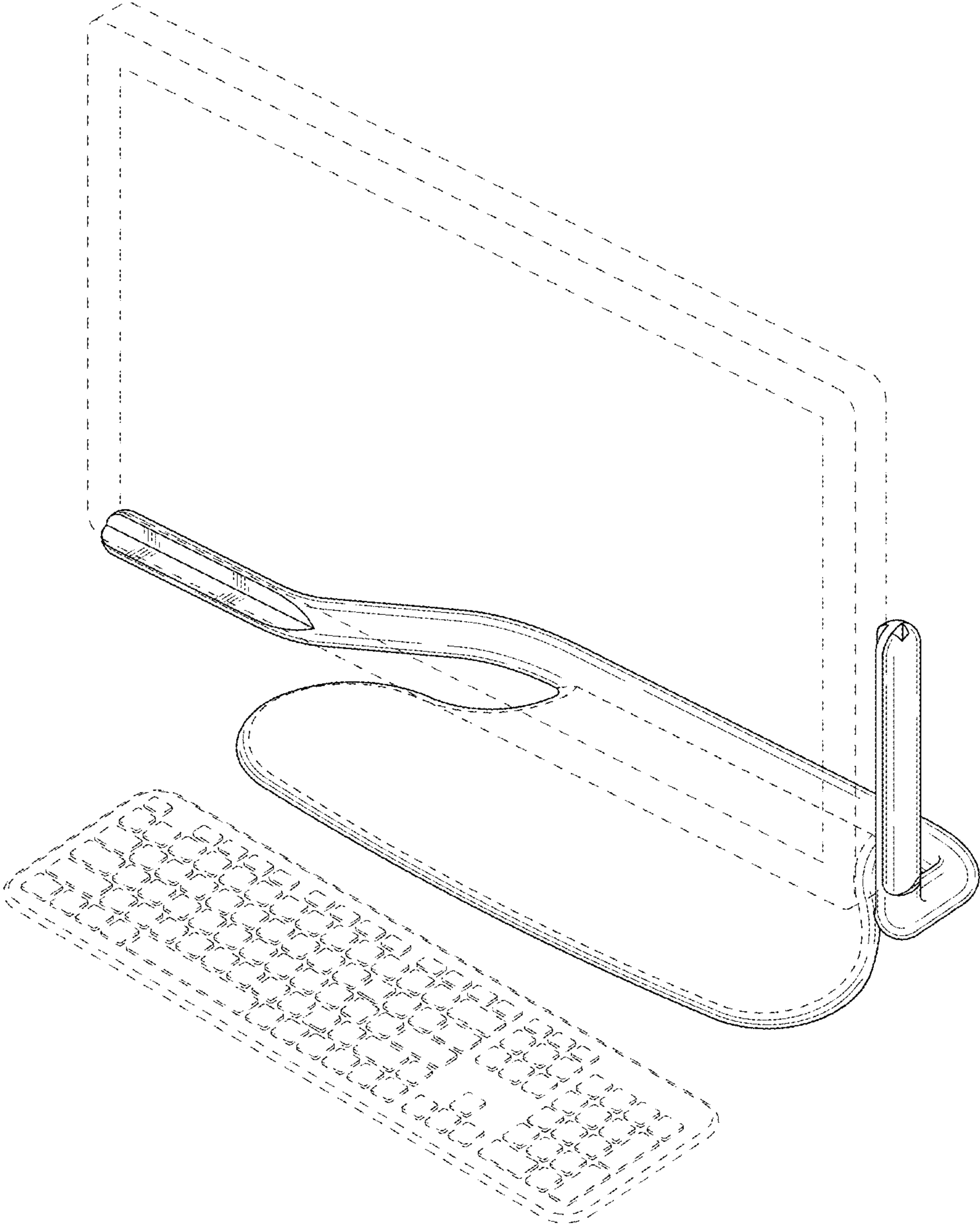


FIG.10

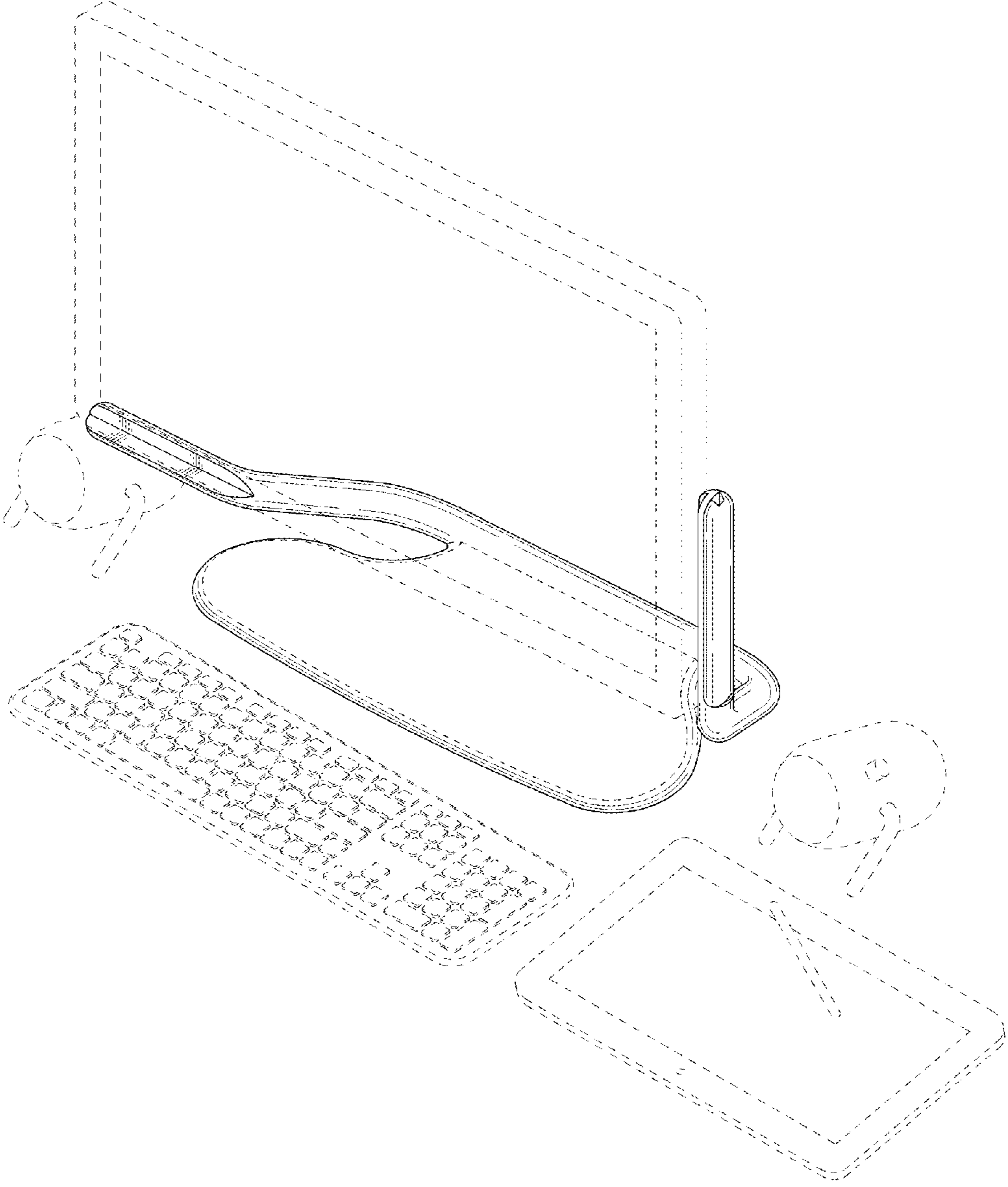


FIG.11

