



US00D712903S

(12) **United States Design Patent**
Lai

(10) **Patent No.:** **US D712,903 S**
(45) **Date of Patent:** **** Sep. 9, 2014**

(54) **COMPUTER MOUSE**

(71) Applicant: **EVGA Corporation**, New Taipei (TW)

(72) Inventor: **Yi-Hsien Lai**, Taipei (TW)

(73) Assignee: **EVGA Corporation**, New Taipei (TW)

(**) Term: **14 Years**

(21) Appl. No.: **29/475,627**

(22) Filed: **Dec. 4, 2013**

(30) **Foreign Application Priority Data**

Oct. 9, 2013 (TW) 102306675

(51) **LOC (10) Cl.** **14-02**

(52) **U.S. Cl.**
USPC **D14/409**

(58) **Field of Classification Search**
CPC G06F 3/03543; G06F 2203/0333;
G06F 3/039; G06F 3/038; G06F 2203/0384
USPC D14/402-411, 356, 388, 389, 383-385,
D14/417, 426; 345/156-167; 463/36-38;
358/471, 473; 273/148 B
See application file for complete search history.

(56) **References Cited**

U.S. PATENT DOCUMENTS

D533,554 S * 12/2006 Sheehan et al. D14/409
D591,294 S * 4/2009 Manalo D14/402

D594,458 S * 6/2009 Manalo et al. D14/406
D594,459 S * 6/2009 Manalo et al. D14/406
D596,180 S * 7/2009 Manalo et al. D14/406
D607,452 S * 1/2010 Manalo et al. D14/402
D618,685 S * 6/2010 Haase et al. D14/409
D627,355 S * 11/2010 Blanchard D14/402
D665,392 S * 8/2012 Jost D14/409
D669,895 S * 10/2012 Li et al. D14/409
D680,113 S * 4/2013 Li et al. D14/409
D688,245 S * 8/2013 Guerra D14/409
D688,664 S * 8/2013 Guerra D14/409

* cited by examiner

Primary Examiner — Austin Murphy
(74) *Attorney, Agent, or Firm* — Che-Yang Chen; Law Office of Michael Chen

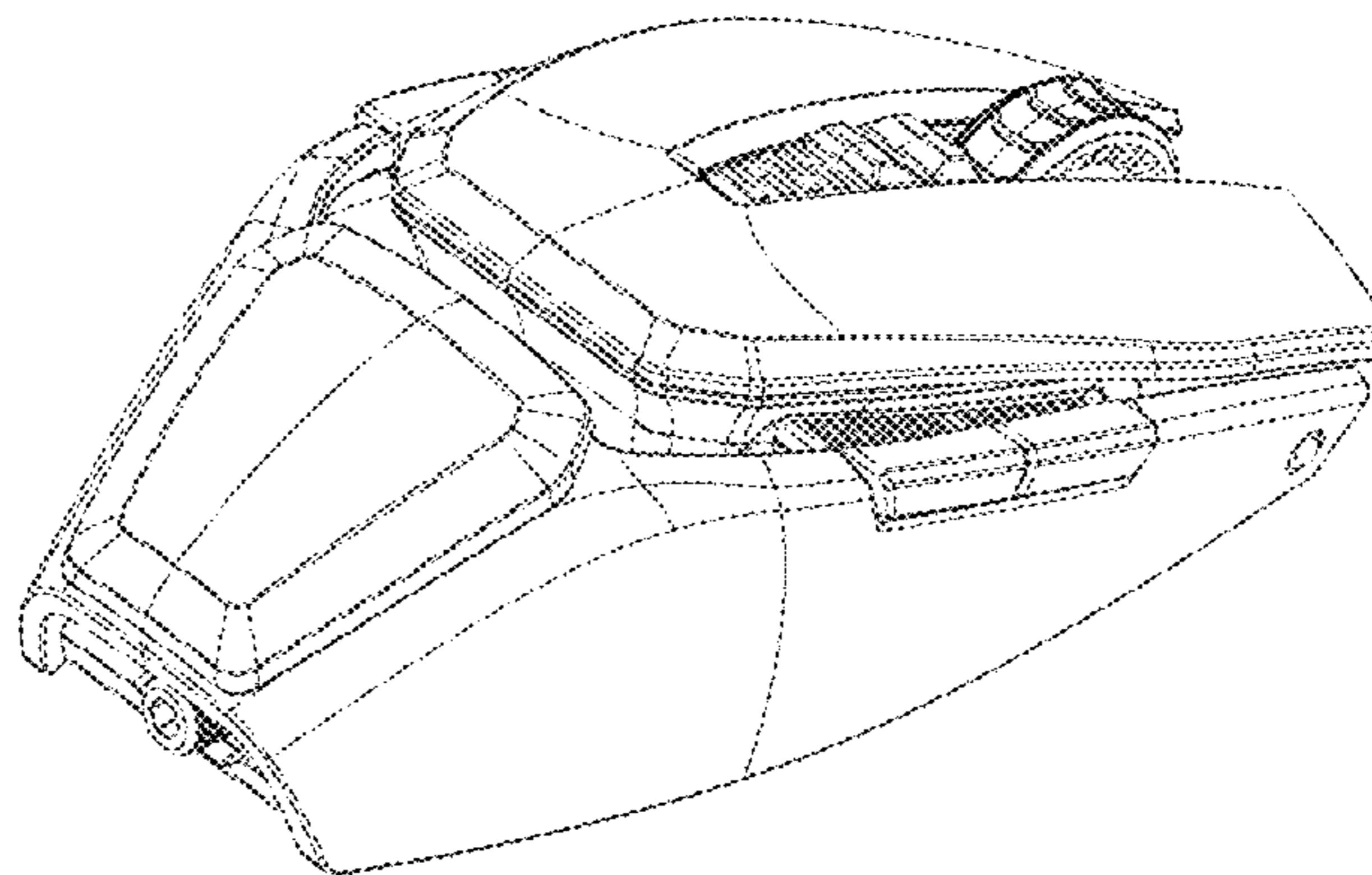
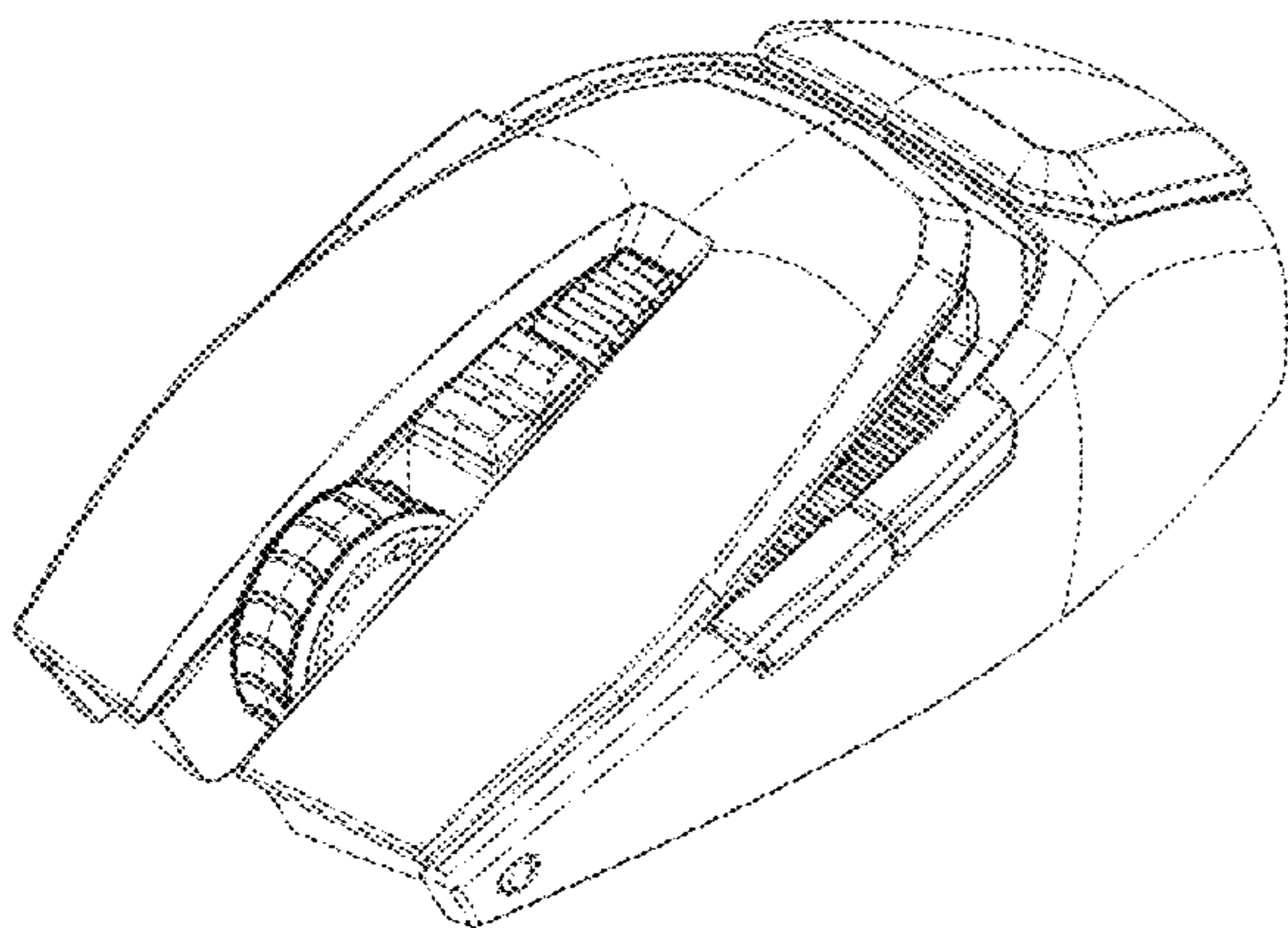
(57) **CLAIM**

The ornamental design for a computer mouse, as shown and described.

DESCRIPTION

FIG. 1 is a front perspective view of a computer mouse, showing my new design;
FIG. 2 is a bottom perspective view thereof;
FIG. 3 is a front elevational view thereof;
FIG. 4 is a rear elevational view thereof;
FIG. 5 is a left side elevational view thereof;
FIG. 6 is a right side elevational view thereof;
FIG. 7 is a top view elevational thereof; and,
FIG. 8 is a bottom elevational view thereof.

1 Claim, 8 Drawing Sheets



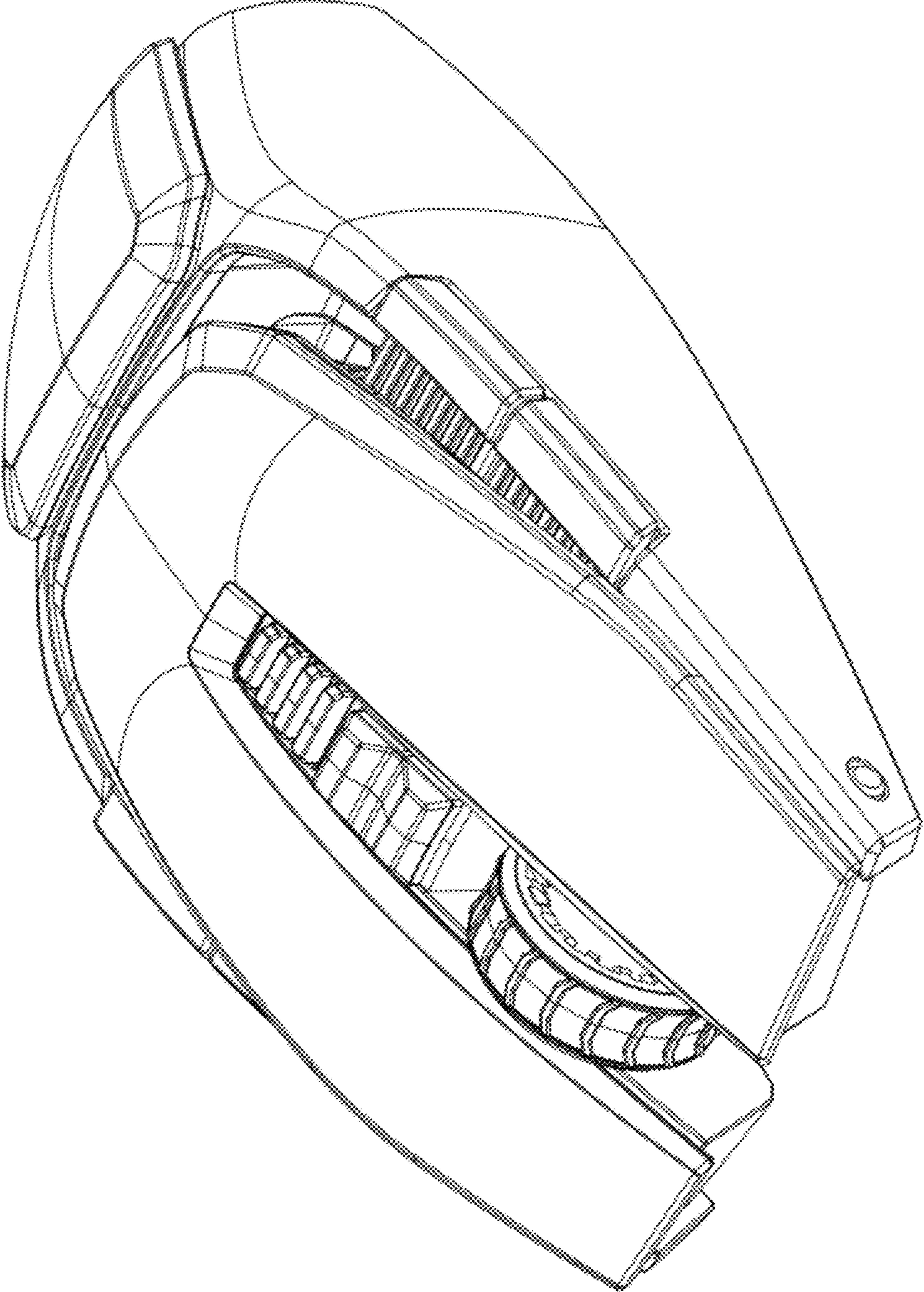


FIG. 1

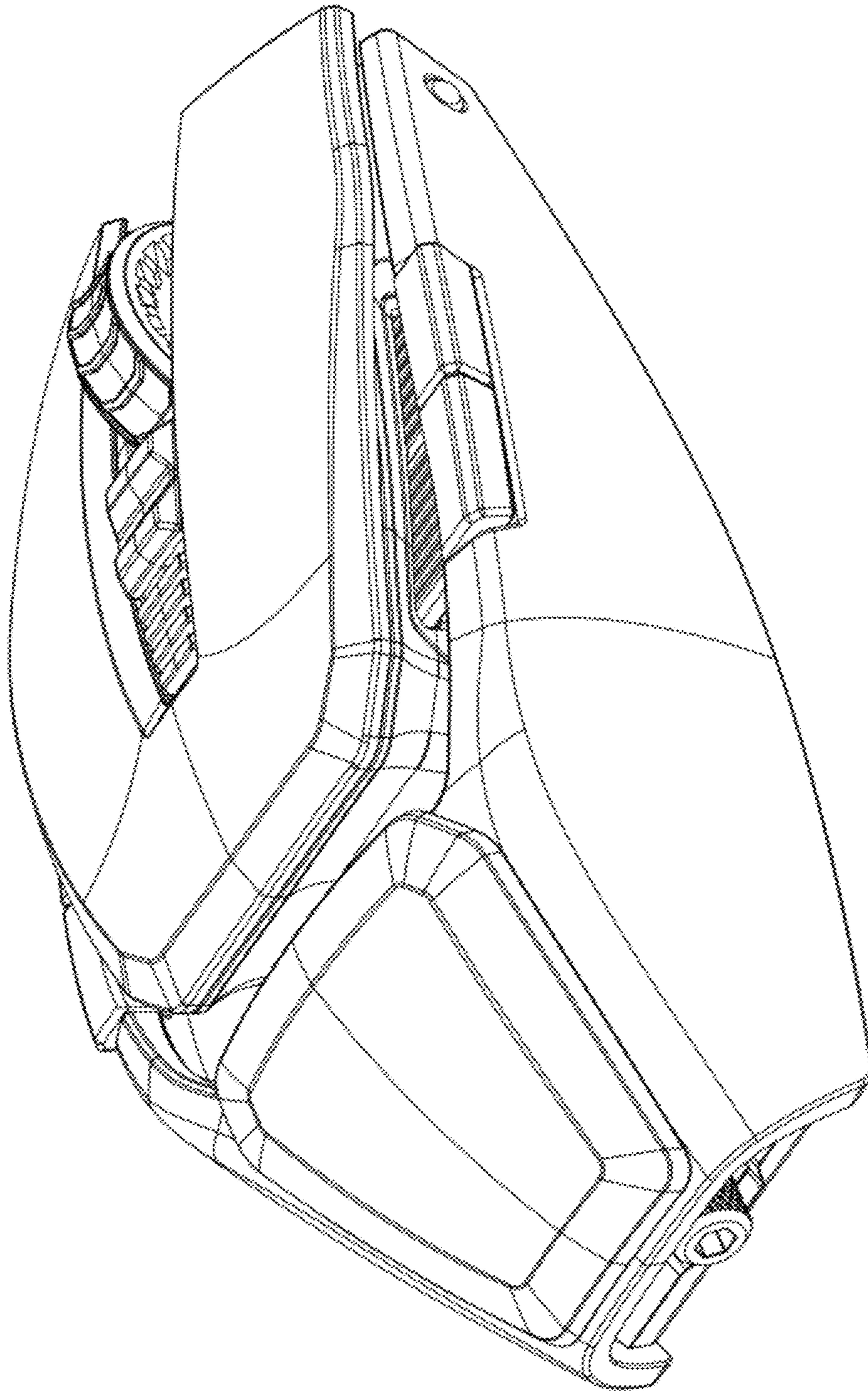


FIG. 2

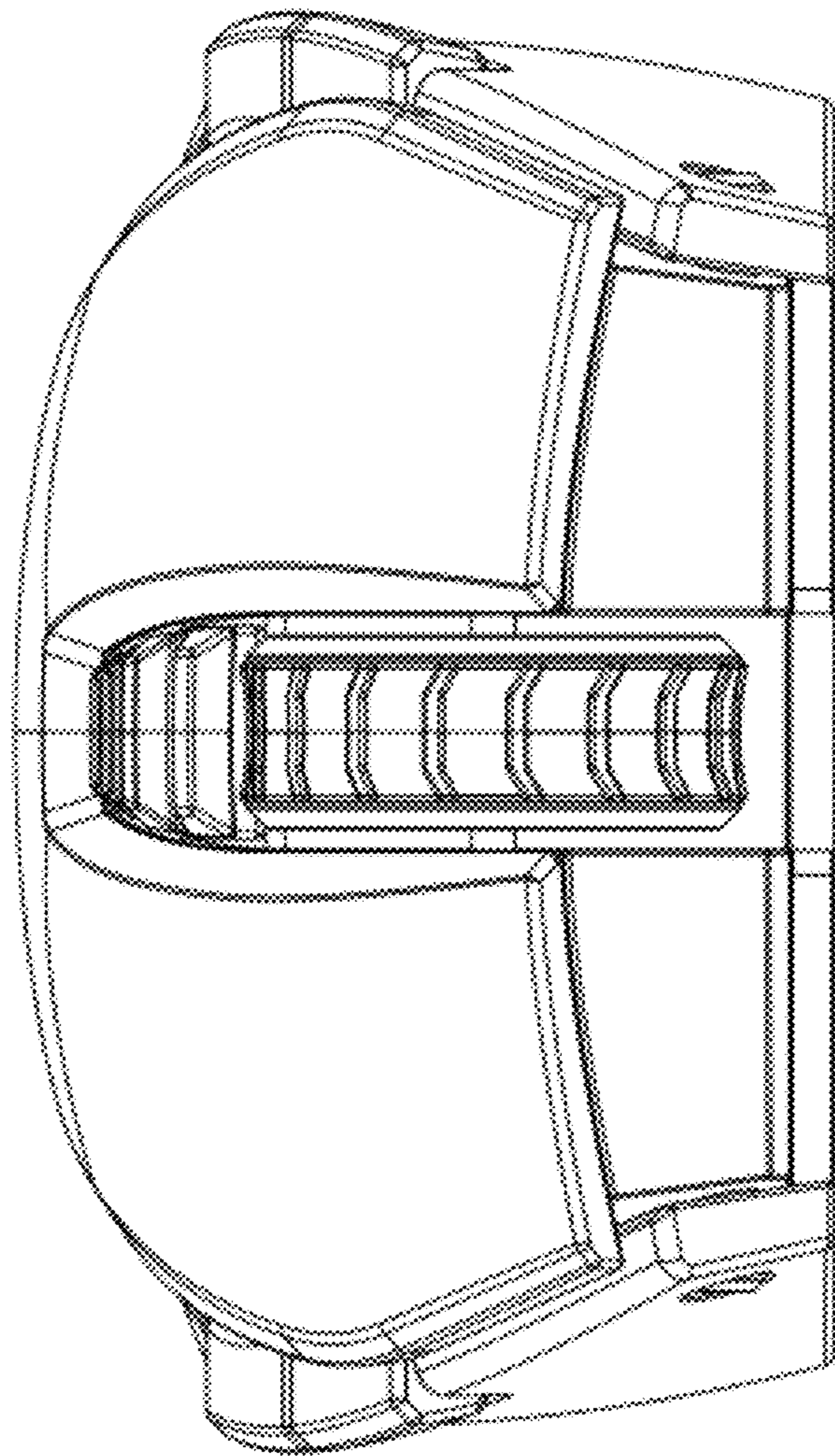


FIG. 3

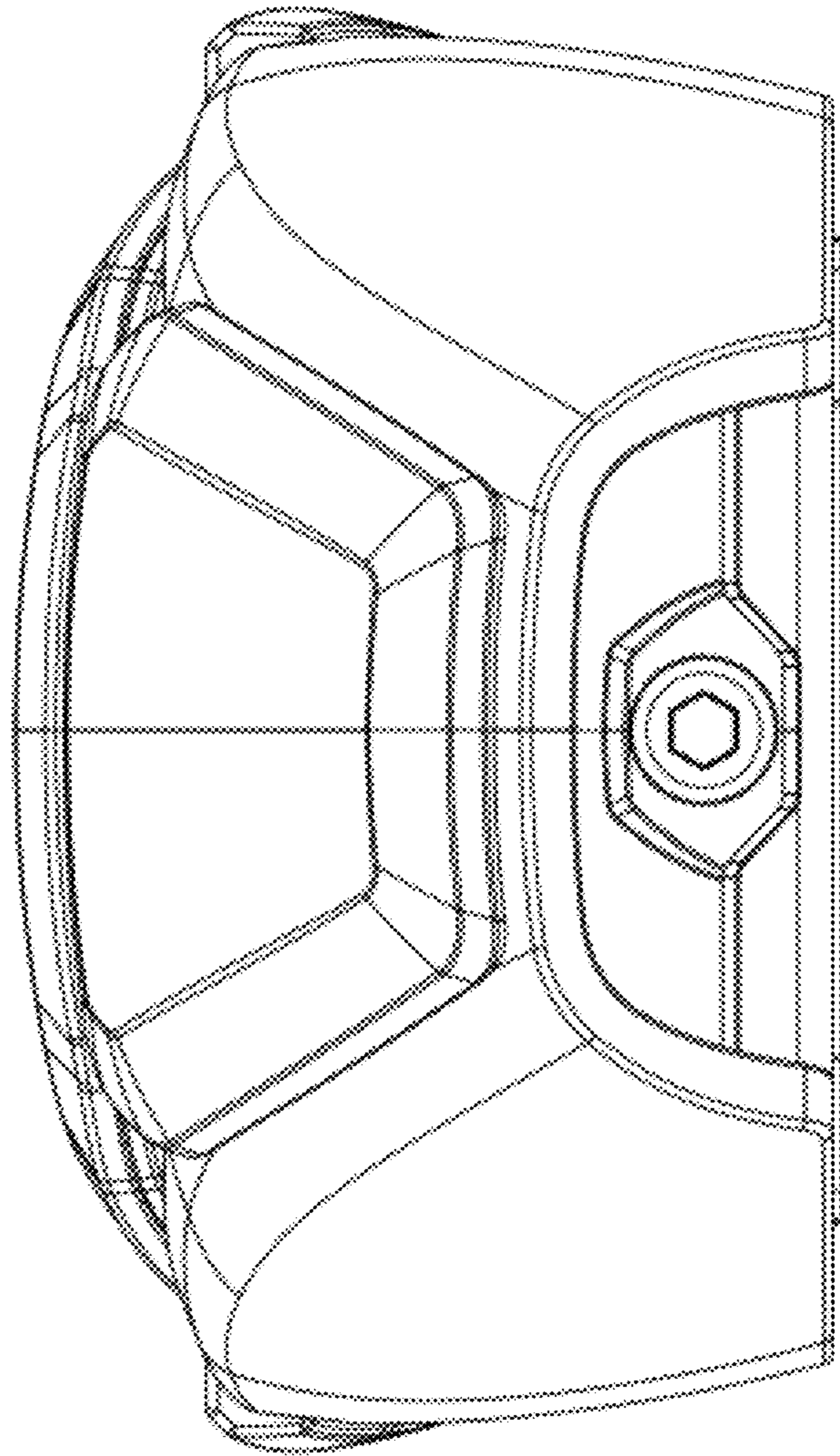


FIG. 4

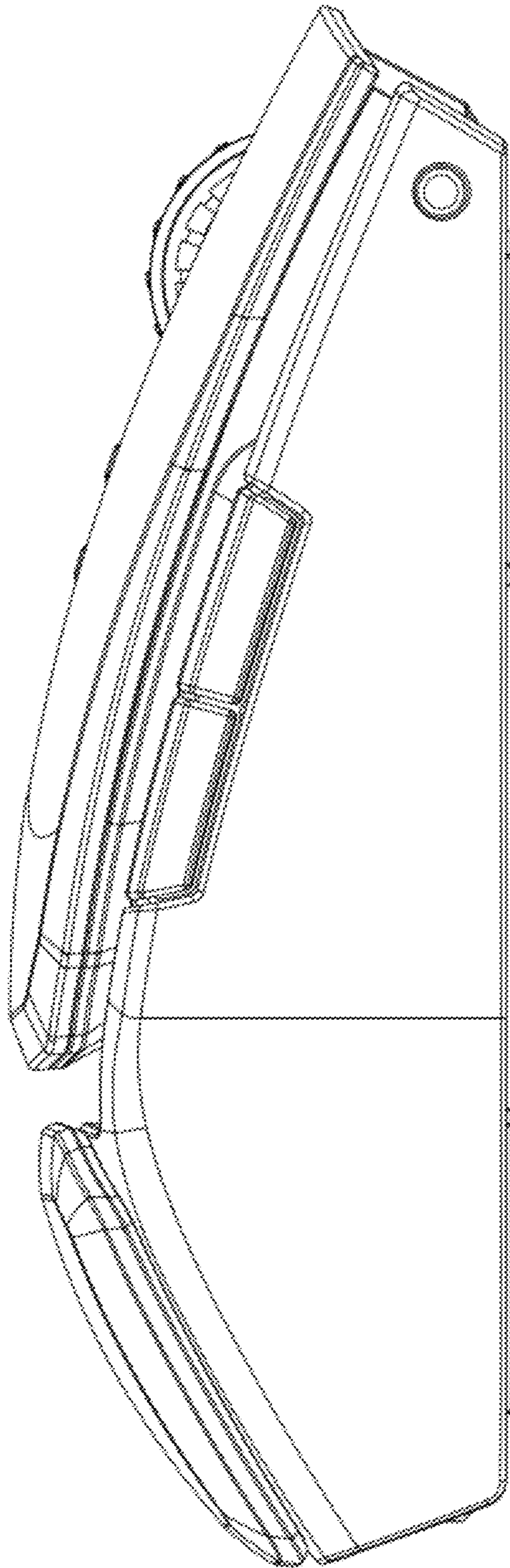


FIG. 5

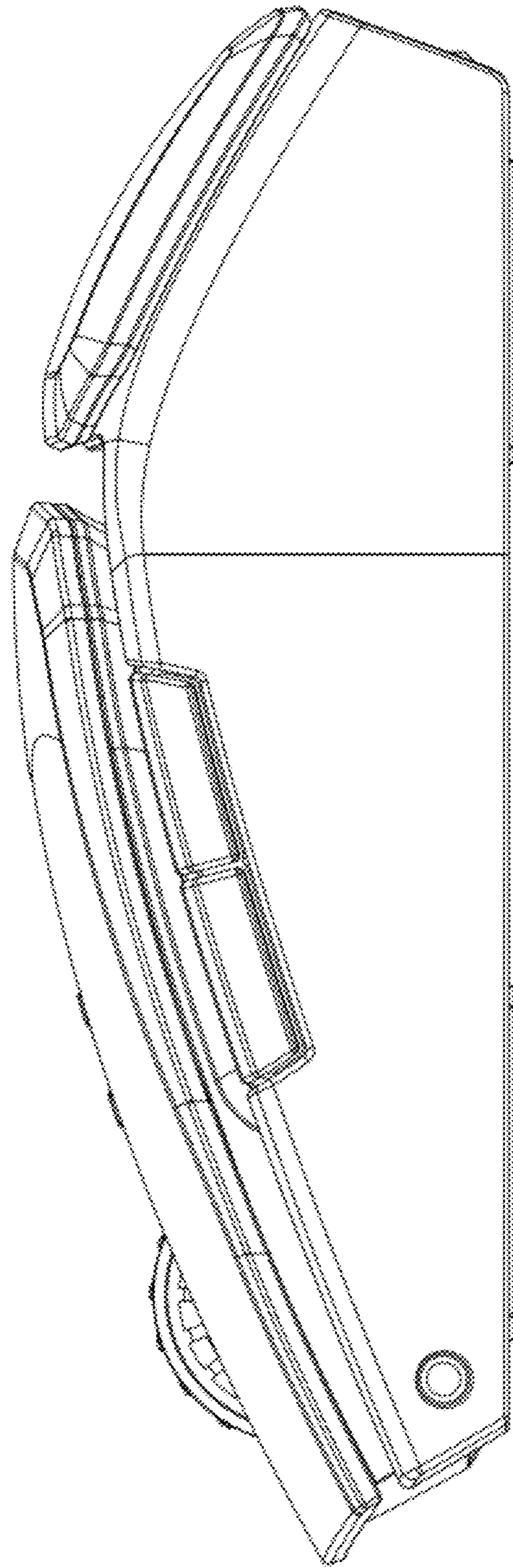


FIG. 6

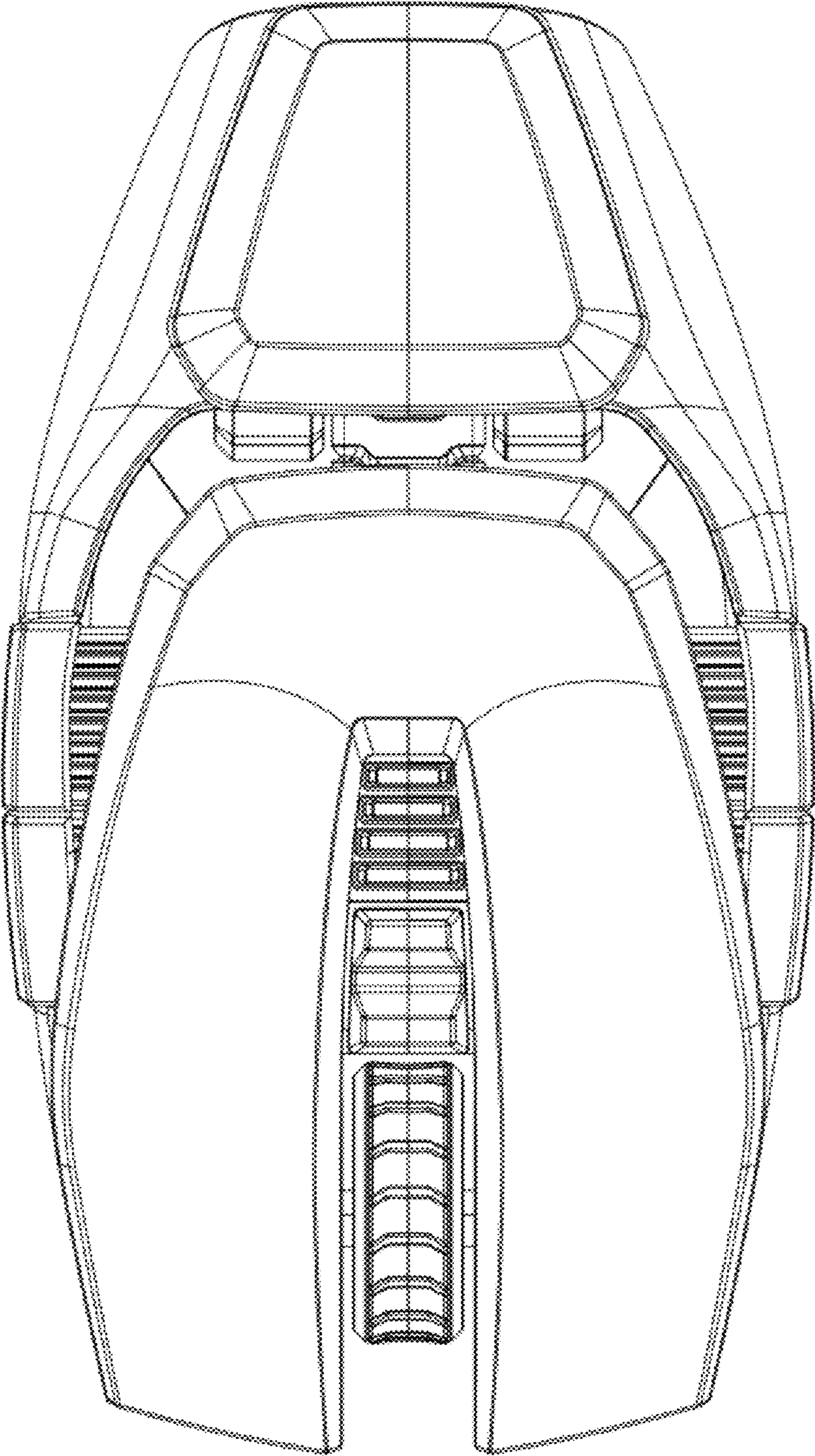


FIG. 7

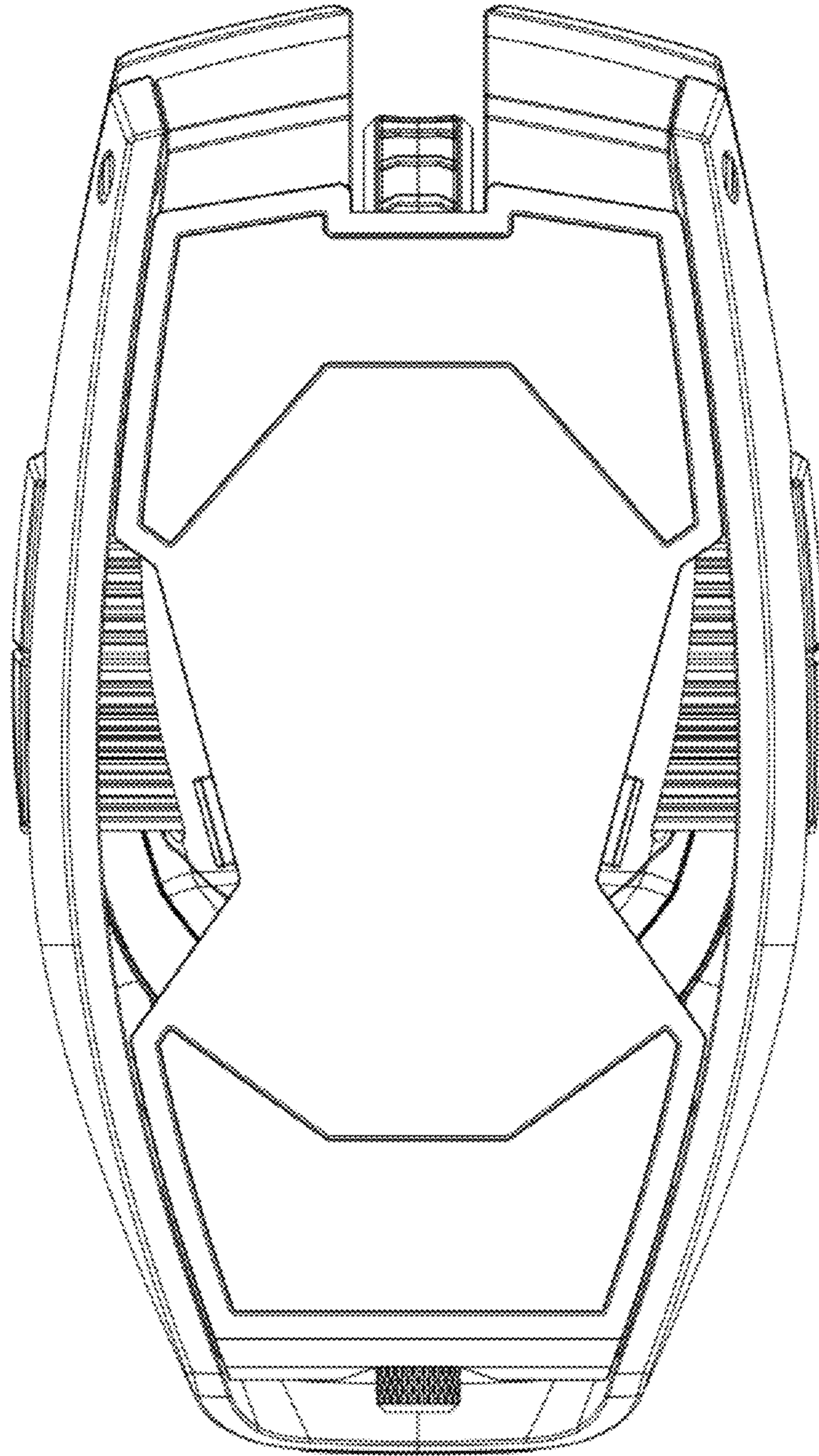


FIG. 8