



US00D712902S

(12) **United States Design Patent**
Daniel

(10) **Patent No.:** **US D712,902 S**

(45) **Date of Patent:** **** Sep. 9, 2014**

(54) **ELECTRONIC CREDENTIAL READER**

(71) Applicant: **Isaac S. Daniel**, Miramar, FL (US)

(72) Inventor: **Isaac S. Daniel**, Miramar, FL (US)

(**) Term: **14 Years**

(21) Appl. No.: **29/467,532**

(22) Filed: **Sep. 20, 2013**

(51) **LOC (10) Cl.** **14-02**

(52) **U.S. Cl.**
USPC **D14/385**

(58) **Field of Classification Search**
USPC D24/232, 216, 186, 169, 107; D14/496,
D14/432, 420, 385, 384, 383, 399;
D13/108; D10/104.1, 106.95; 726/9,
726/16, 18, 20; 422/82.01; 382/124;
235/375, 379; D99/28; 713/186
See application file for complete search history.

(56) **References Cited**

U.S. PATENT DOCUMENTS

D437,890 S * 2/2001 McGarrah D20/8
D477,321 S * 7/2003 Baughman D14/385

D590,828 S * 4/2009 Sherrod et al. D14/385
8,274,713 B2 * 9/2012 Hatzav et al. 358/474
D672,775 S * 12/2012 Nelson et al. D14/385
D672,777 S * 12/2012 Bousfield et al. D14/385
D673,149 S * 12/2012 Nelson et al. D14/385
D681,637 S * 5/2013 Nelson et al. D14/385
D697,912 S * 1/2014 Nelson et al. D14/385

* cited by examiner

Primary Examiner — Austin Murphy

(74) *Attorney, Agent, or Firm* — Carol N. Green, Esq.

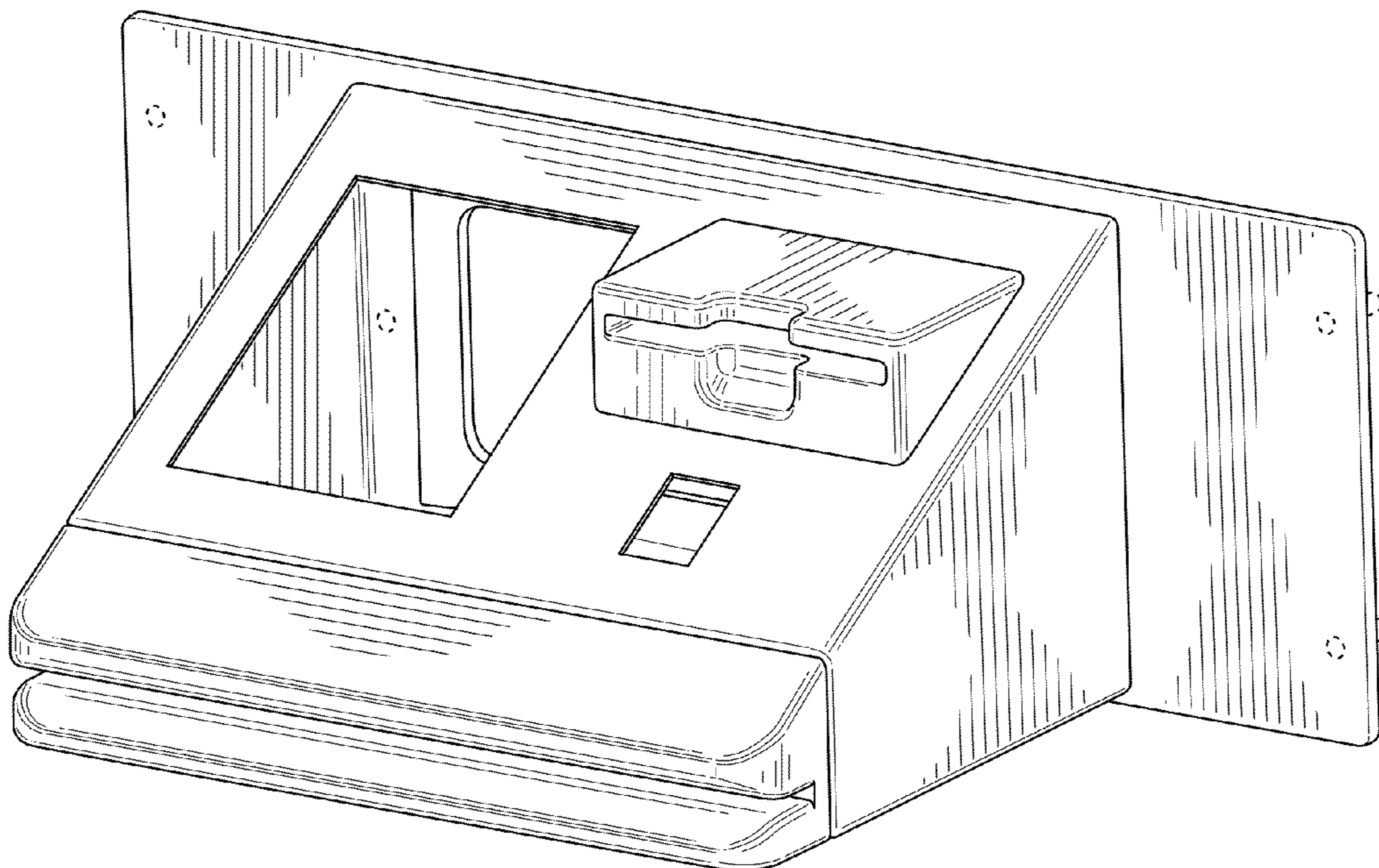
(57) **CLAIM**

The ornamental design for an electronic credential reader, as shown and described. -

DESCRIPTION

FIG. 1 is a front perspective view.
FIG. 2 is a front view.
FIG. 3 is a rear view.
FIG. 4 is a top view.
FIG. 5 is a bottom view.
FIG. 6 is a side view; and,
FIG. 7 is another side view.

1 Claim, 7 Drawing Sheets



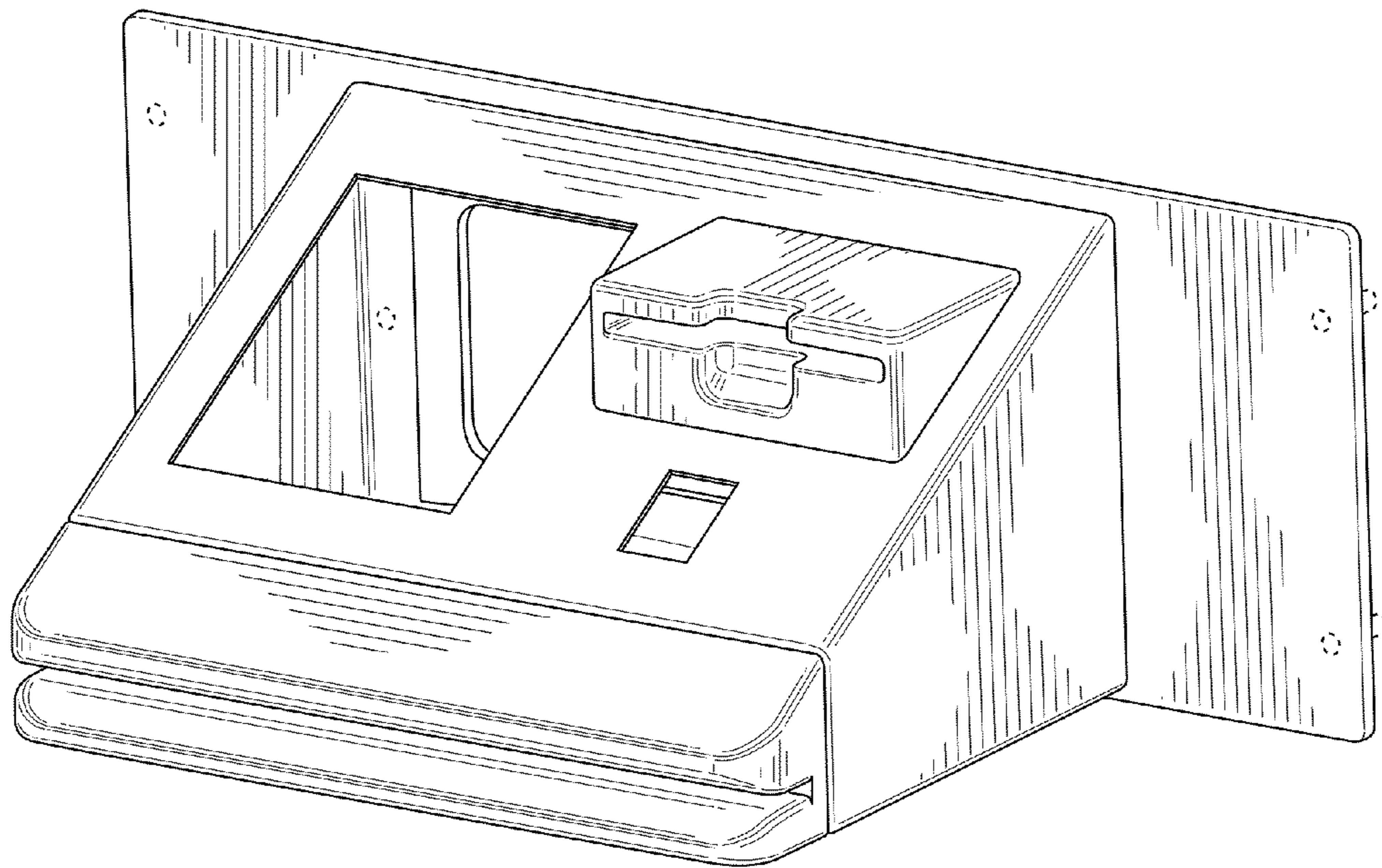


FIG. 1

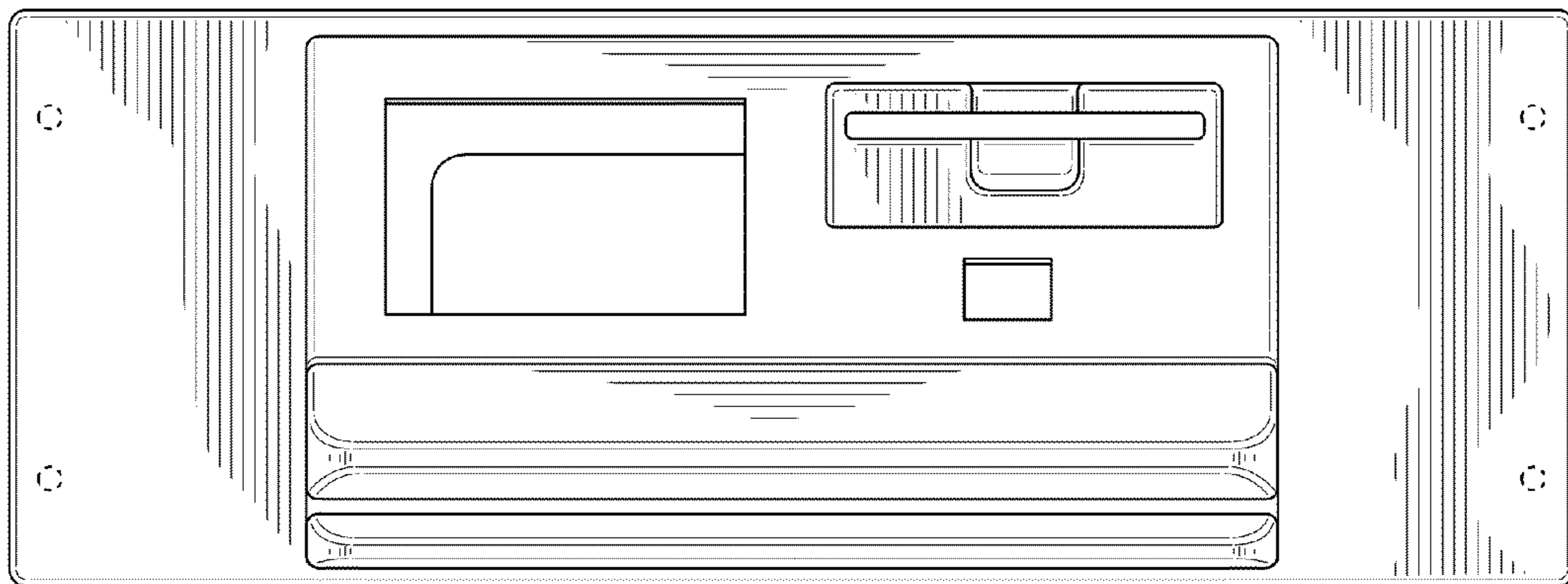


FIG. 2

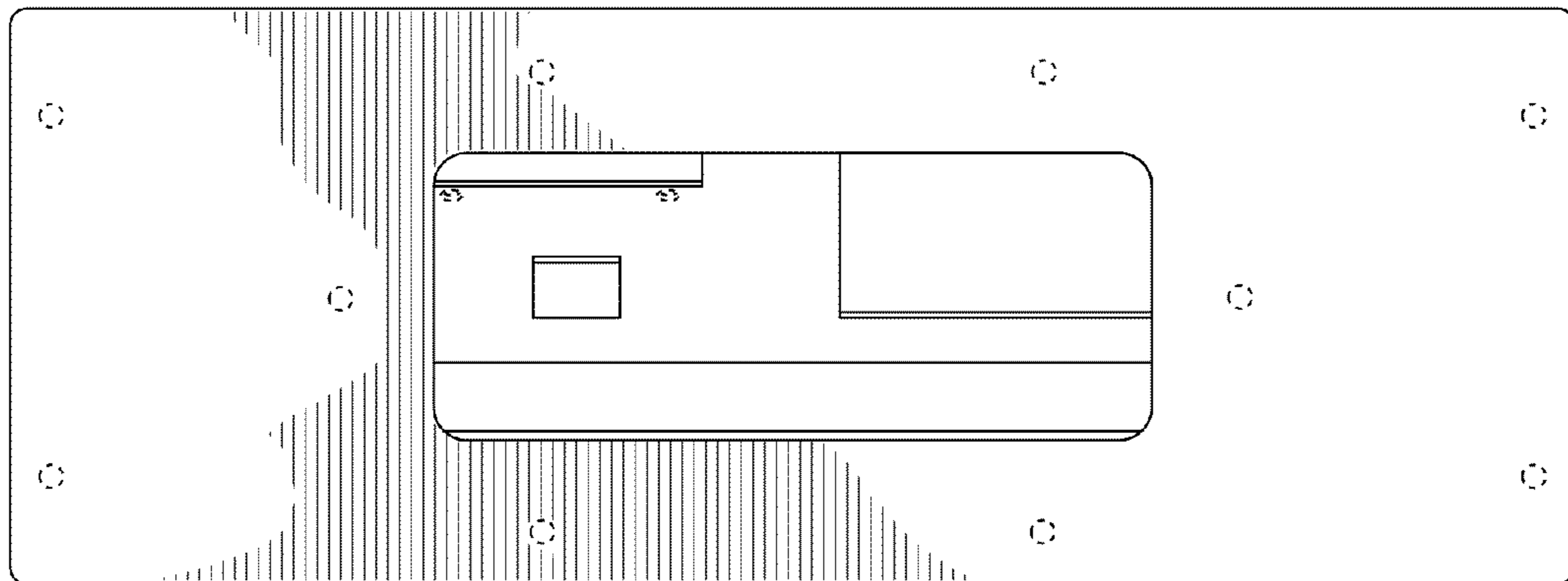


FIG. 3

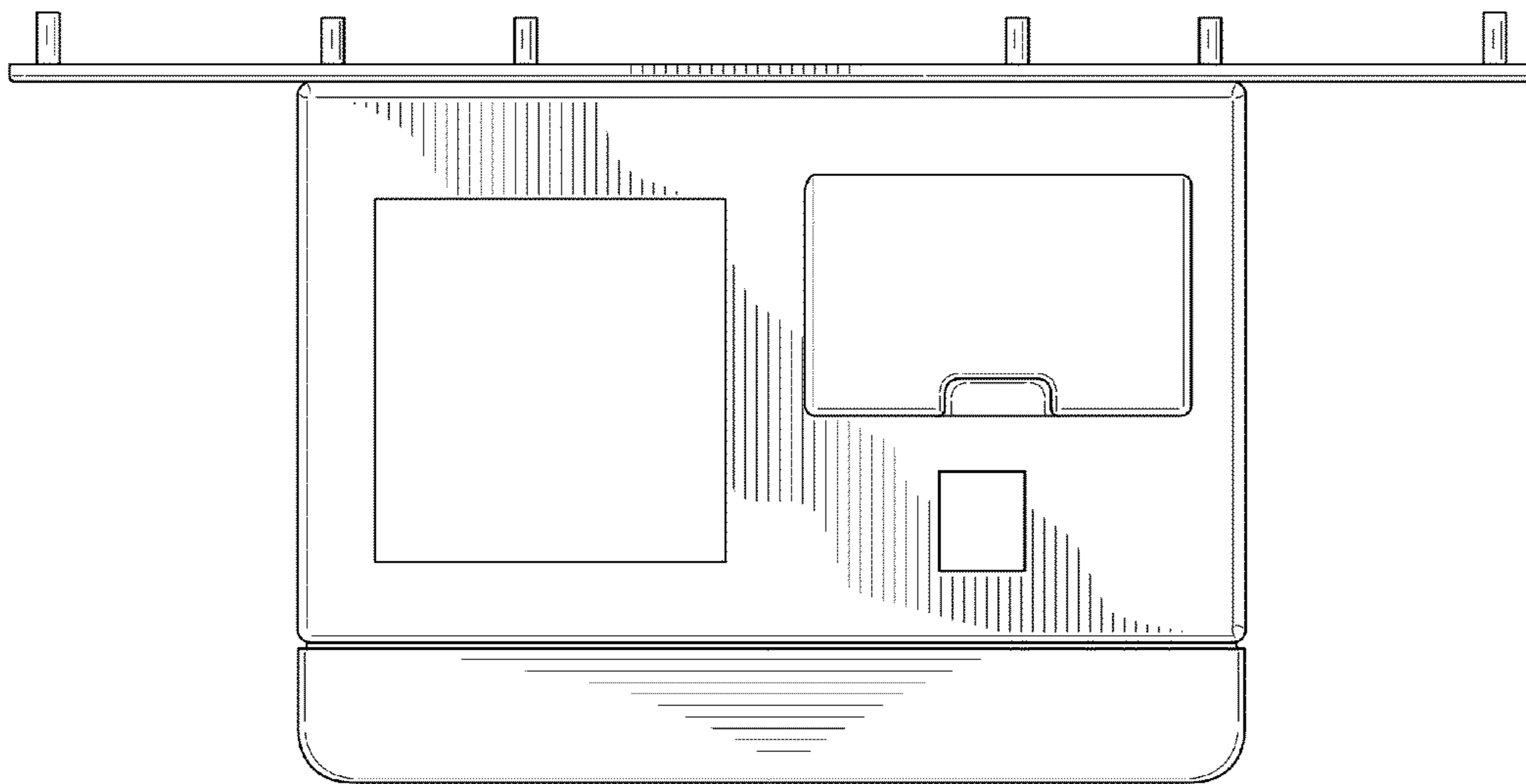


FIG. 4

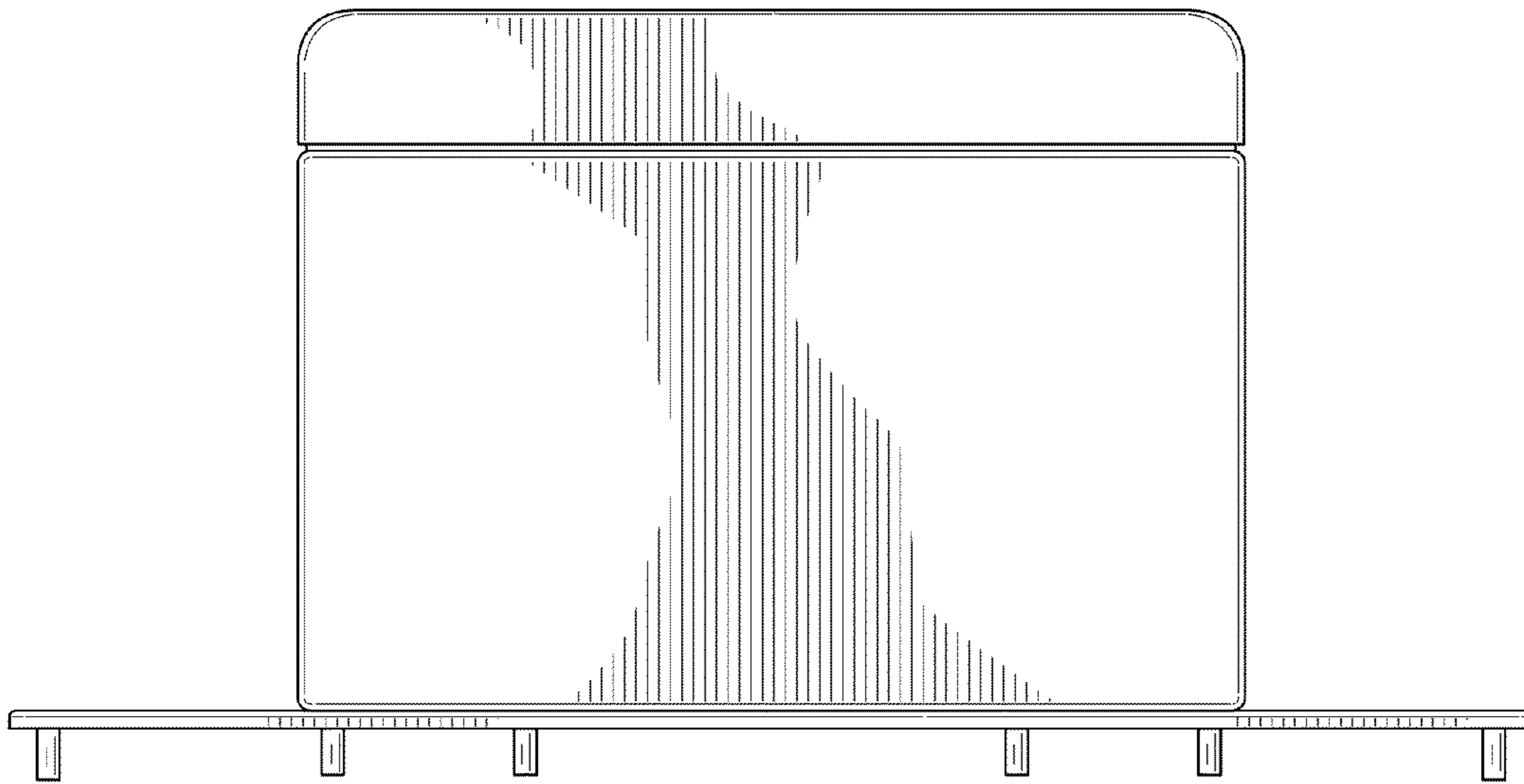


FIG. 5

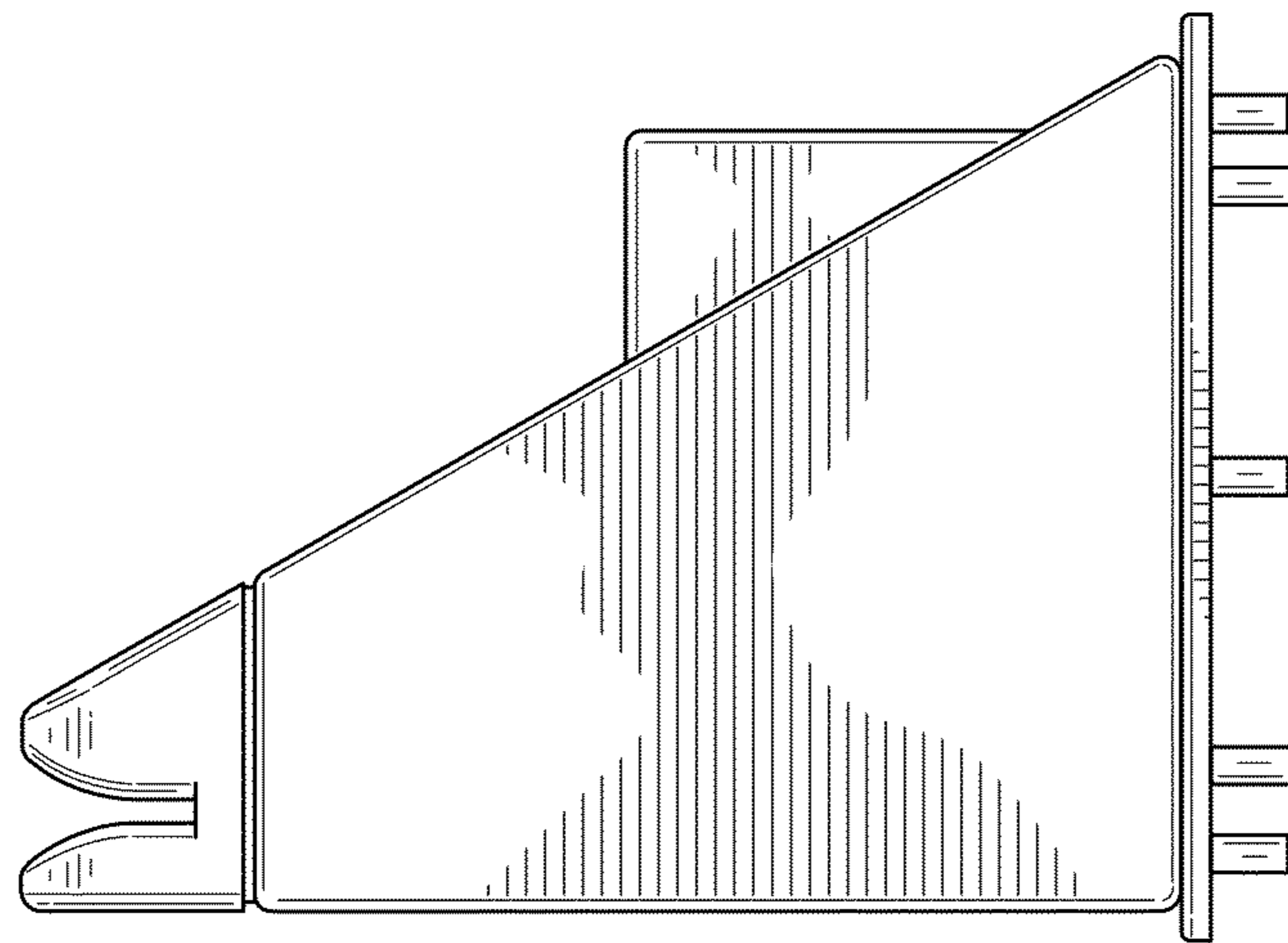


FIG. 6

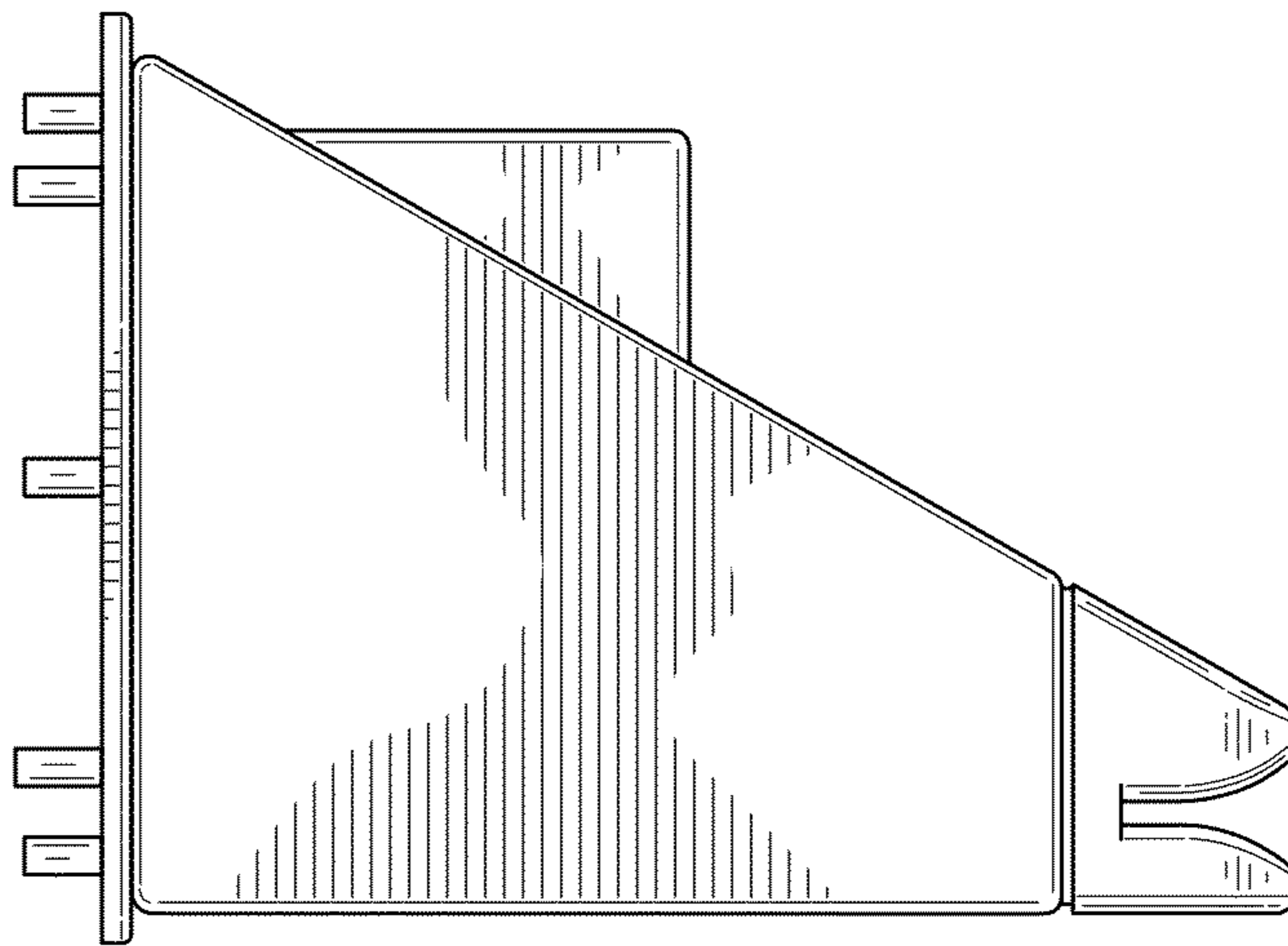


FIG. 7