



US00D712900S

(12) **United States Design Patent**  
**Miki et al.**

(10) **Patent No.:** **US D712,900 S**

(45) **Date of Patent:** **\*\* Sep. 9, 2014**

(54) **TABLET COMPUTER DEVICE**

(75) Inventors: **Osamu Miki**, Fujisawa (JP); **Takeshi Sasaki**, Fujisawa (JP); **Satoru Yamamoto**, Fujisawa (JP); **Tomomasa Ibuka**, Fujisawa (JP)

(73) Assignee: **Sony Engineering Corporation**, Kanagawa (JP)

(\*\*) Term: **14 Years**

(21) Appl. No.: **29/431,306**

(22) Filed: **Sep. 6, 2012**

(51) **LOC (10) Cl.** ..... **14-04**

(52) **U.S. Cl.**  
USPC ..... **D14/345**

(58) **Field of Classification Search**  
USPC ..... D14/341–347, 137, 138 R, 138 AA, D14/138 C, 138 G, 496, 203.1, 203.3, 203.4, D14/203.7, 129, 130, 147, 218, 248, 389, D14/388, 426, 420; D10/65, 104.1; D18/6–7; D21/324, 329, 330; 455/556.1, 556.2, 566, 575.1, 90.3; 379/433.04, 433.01, 433.06, 916; 345/173, 901, 905; 361/679.26, 679.3, 361/679.55, 679.56

See application file for complete search history.

(56) **References Cited**

**U.S. PATENT DOCUMENTS**

D399,526 S *	10/1998	Brady	.....	D14/345
D445,787 S *	7/2001	Francis	.....	D14/345
D466,897 S *	12/2002	Hata	.....	D14/371
6,512,497 B1 *	1/2003	Kondo et al.	.....	345/1.1
D507,567 S *	7/2005	Yonekawa et al.	.....	D14/345
D580,433 S *	11/2008	Chiang et al.	.....	D14/345
D587,704 S *	3/2009	McCoy	.....	D14/345
D588,126 S *	3/2009	Chiang et al.	.....	D14/345
D615,538 S *	5/2010	Huang et al.	.....	D14/315

D618,683 S *	6/2010	Wilson et al.	.....	D14/371
D624,517 S *	9/2010	Lee et al.	.....	D14/138 AB
D626,124 S *	10/2010	Chyan et al.	.....	D14/341
D639,806 S *	6/2011	Lee et al.	.....	D14/345
D680,531 S *	4/2013	Honda et al.	.....	D14/345
D680,532 S *	4/2013	Reeves et al.	.....	D14/345
D681,633 S *	5/2013	Reeves et al.	.....	D14/345
D685,781 S *	7/2013	Adams	.....	D14/315
D696,665 S *	12/2013	Nakano et al.	.....	D14/345
2004/0046705 A1 *	3/2004	Masazumi et al.	.....	345/1.1

\* cited by examiner

*Primary Examiner* — Barbara Fox

(74) *Attorney, Agent, or Firm* — Leydig, Voit & Mayer, Ltd.

(57) **CLAIM**

The ornamental design for a tablet computer device, as shown and described.

**DESCRIPTION**

FIG. 1 is a front view of a tablet computer device of the present invention.

FIG. 2 is a rear view of the tablet computer device of FIG. 1. FIG. 3 is a top plan view of the tablet computer device of FIG. 1.

FIG. 4 is a bottom view of the tablet computer device of FIG. 1.

FIG. 5 is a right side view of the tablet computer device of FIG. 1.

FIG. 6 is a left side view of the tablet computer device of FIG. 1.

FIG. 7 is a front perspective view of the tablet computer device of FIG. 1.

FIG. 8 is a rear perspective view of the tablet computer device of FIG. 1; and,

FIG. 9 is a front perspective view of the tablet computer device of FIG. 1 in the closed position.

The broken lines show portions of the tablet computer device which form no part of the claimed design.

**1 Claim, 9 Drawing Sheets**

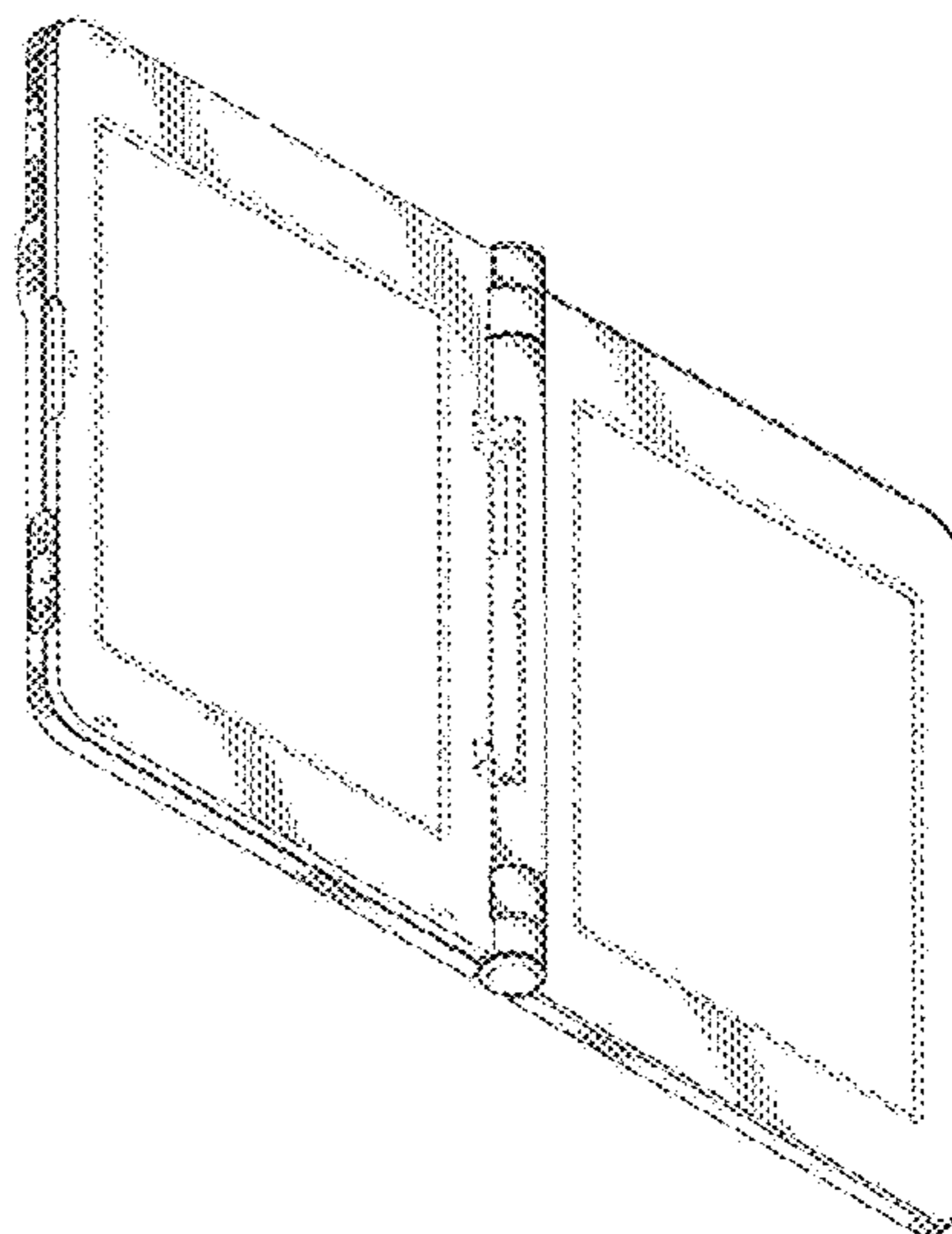
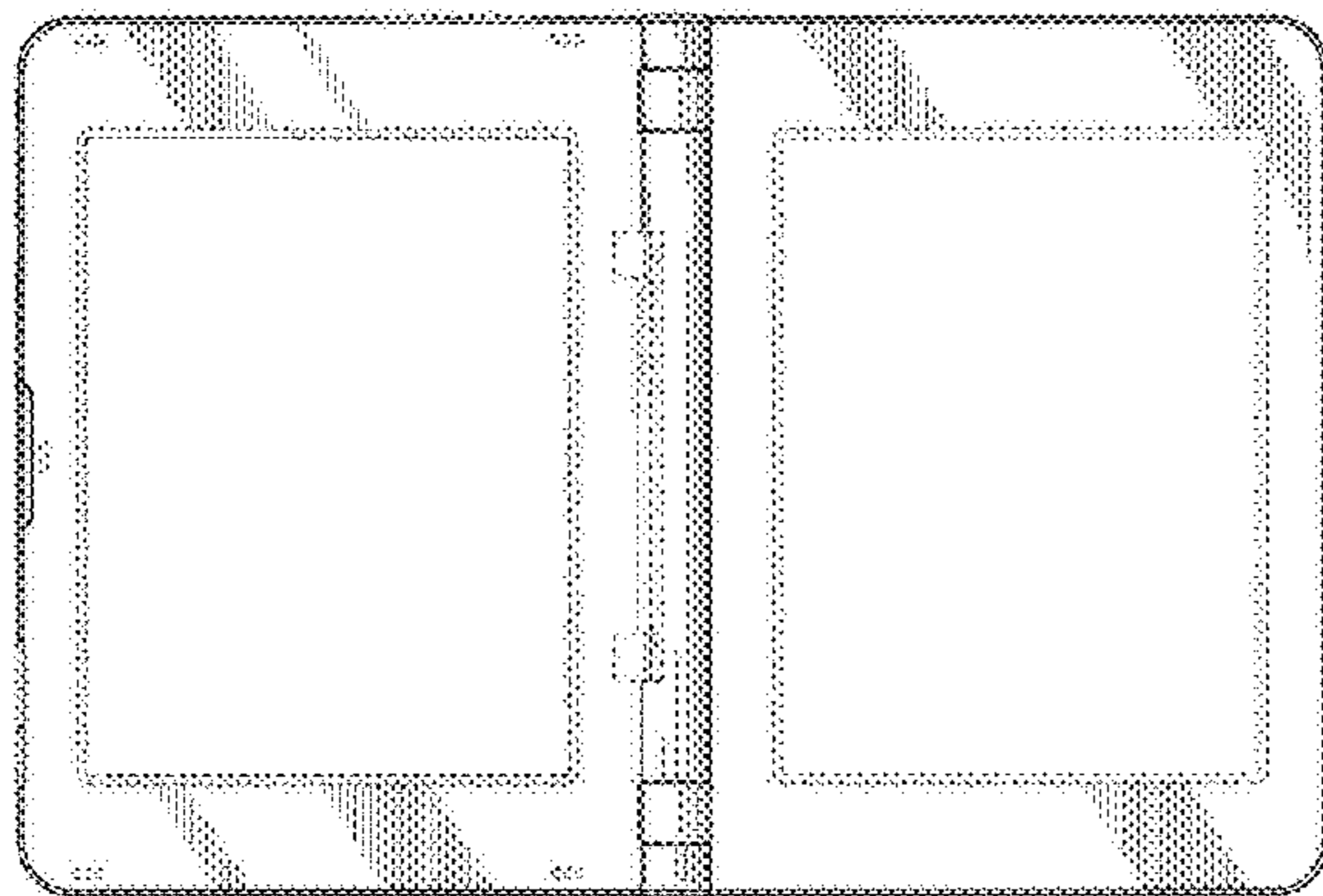


Fig. 1

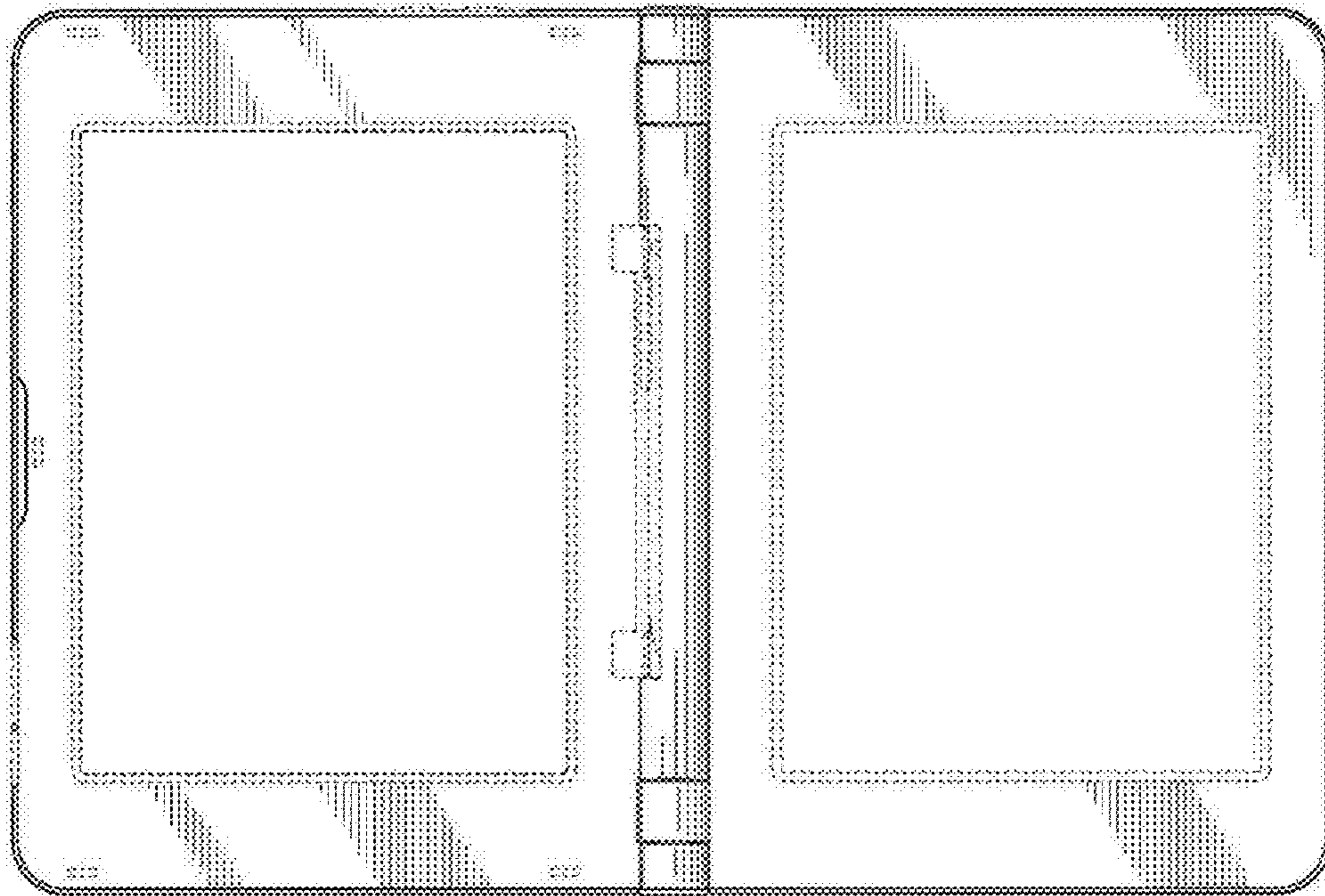


Fig.2

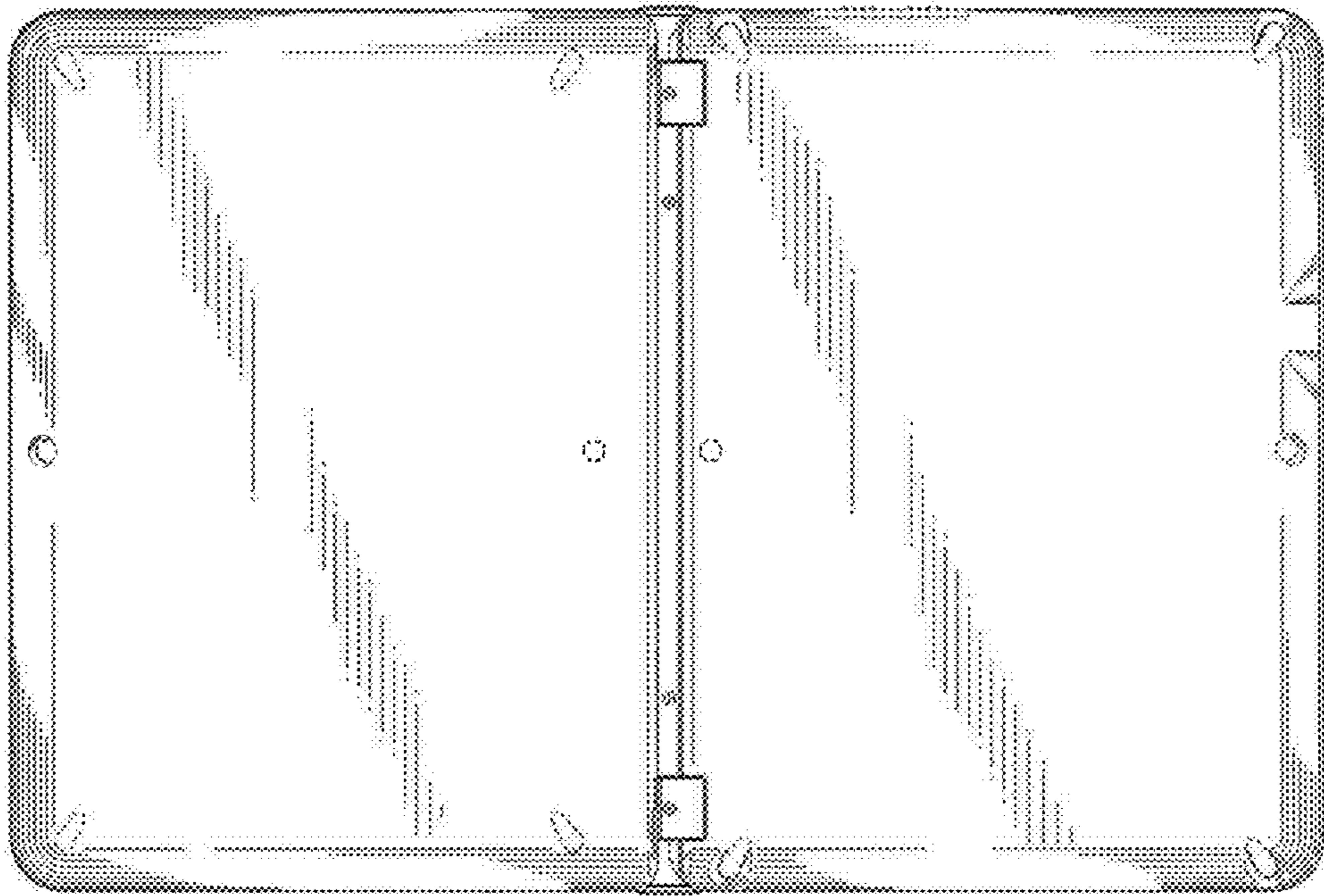


Fig.3



Fig.4



Fig.5

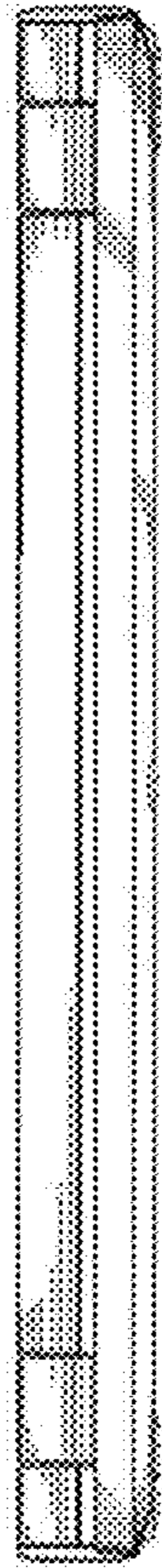


Fig.6

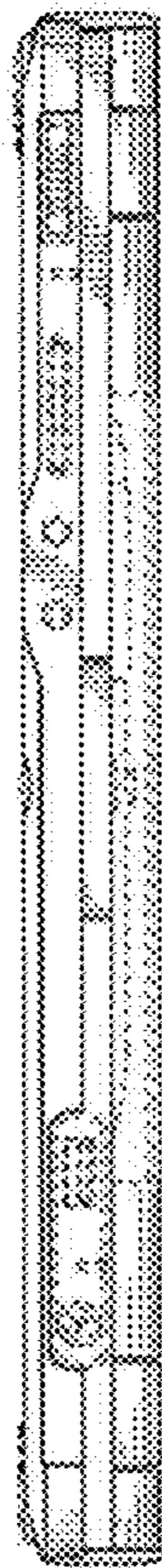


Fig.7

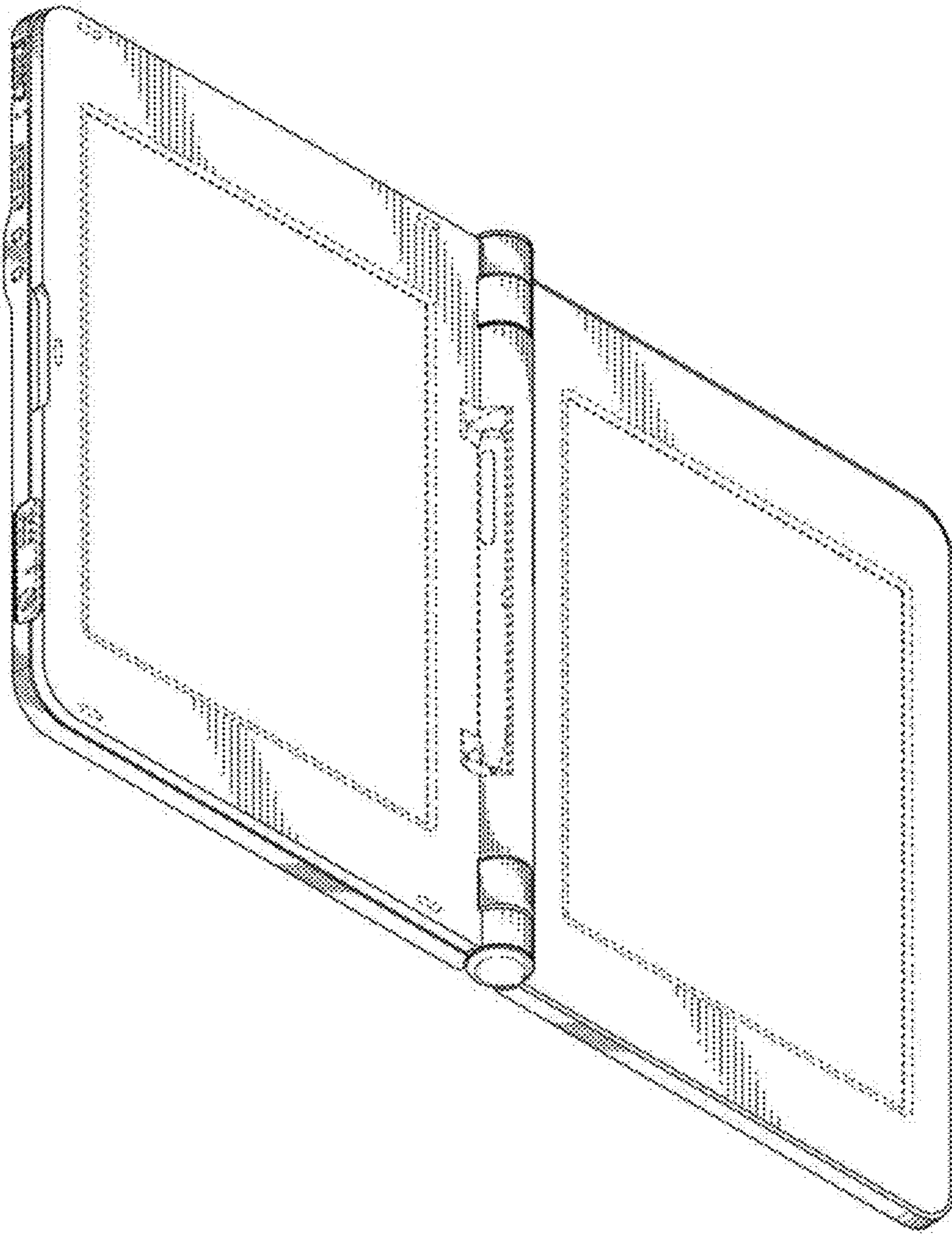




Fig.8

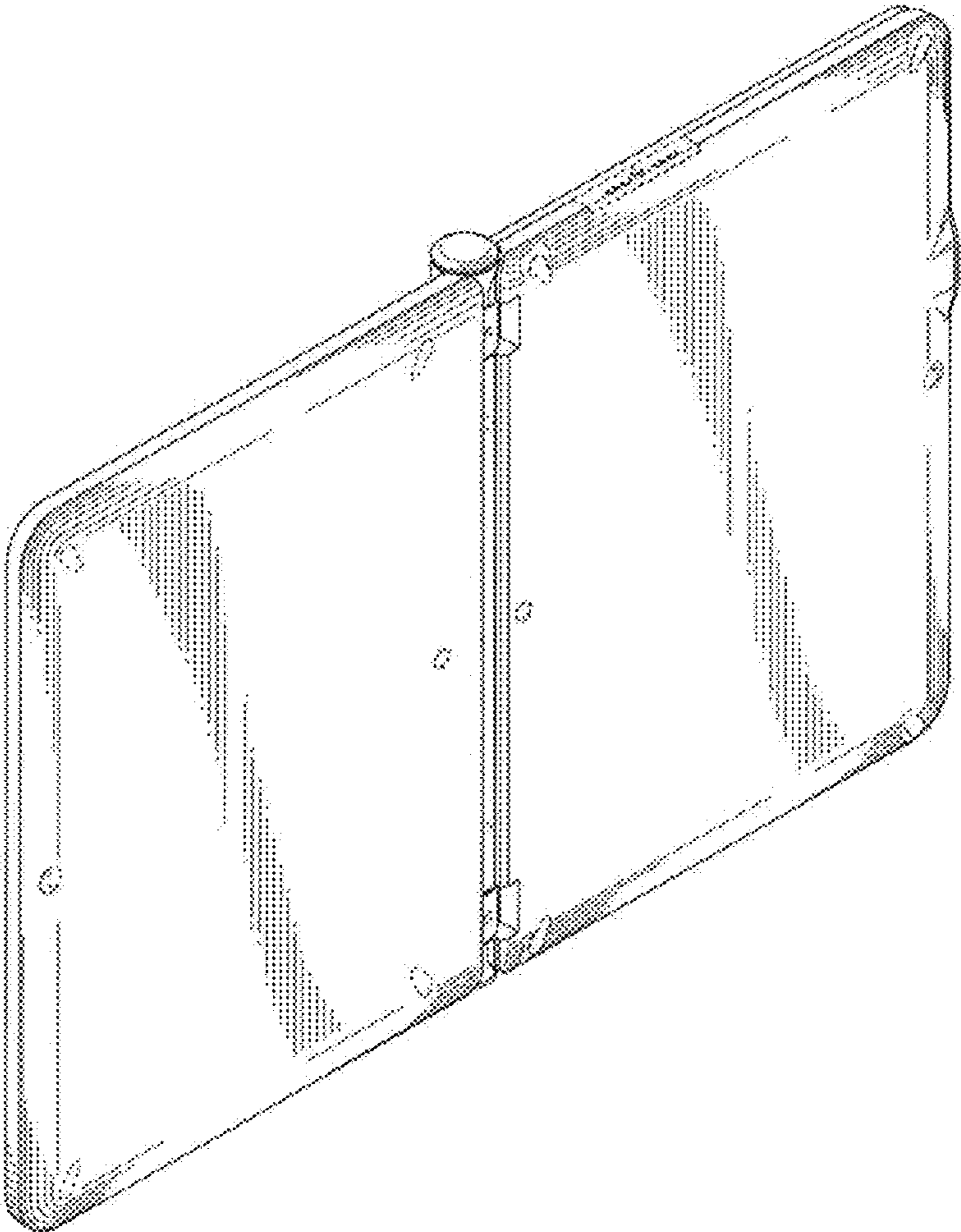


Fig.9

