



US00D712897S

(12) **United States Design Patent**
Lee et al.

(10) **Patent No.:** **US D712,897 S**
(45) **Date of Patent:** **** Sep. 9, 2014**

(54) **NOTEBOOK COMPUTER**

(71) Applicant: **Samsung Electronics Co., Ltd.**,
Suwon-si (KR)

(72) Inventors: **Chang-Ho Lee**, Seoul (KR); **Zi-On Kwon**, Seoul (KR)

(73) Assignee: **Samsung Electronics Co., Ltd.**,
Suwon-si (KR)

(**) Term: **14 Years**

(21) Appl. No.: **29/446,928**

(22) Filed: **Feb. 28, 2013**

(30) **Foreign Application Priority Data**

Aug. 28, 2012 (KR) 30-2012-0041294

(51) **LOC (10) Cl.** **14-02**

(52) **U.S. Cl.**
USPC **D14/316**

(58) **Field of Classification Search**

USPC D14/315-327, 331; D18/1, 2, 7, 11;
235/145 A, 145 R; 341/22, 23; 345/104,
345/156, 168, 169, 173; 361/679.08,
361/679.09, 679.11, 679.26, 679.27;
379/433.12; 16/341, 367

See application file for complete search history.

(56) **References Cited**

U.S. PATENT DOCUMENTS

D528,541 S * 9/2006 Maskatia D14/315
D535,292 S * 1/2007 Shi et al. D14/315

(Continued)

Primary Examiner — Freda S Nunn

(74) *Attorney, Agent, or Firm* — NSIP Law

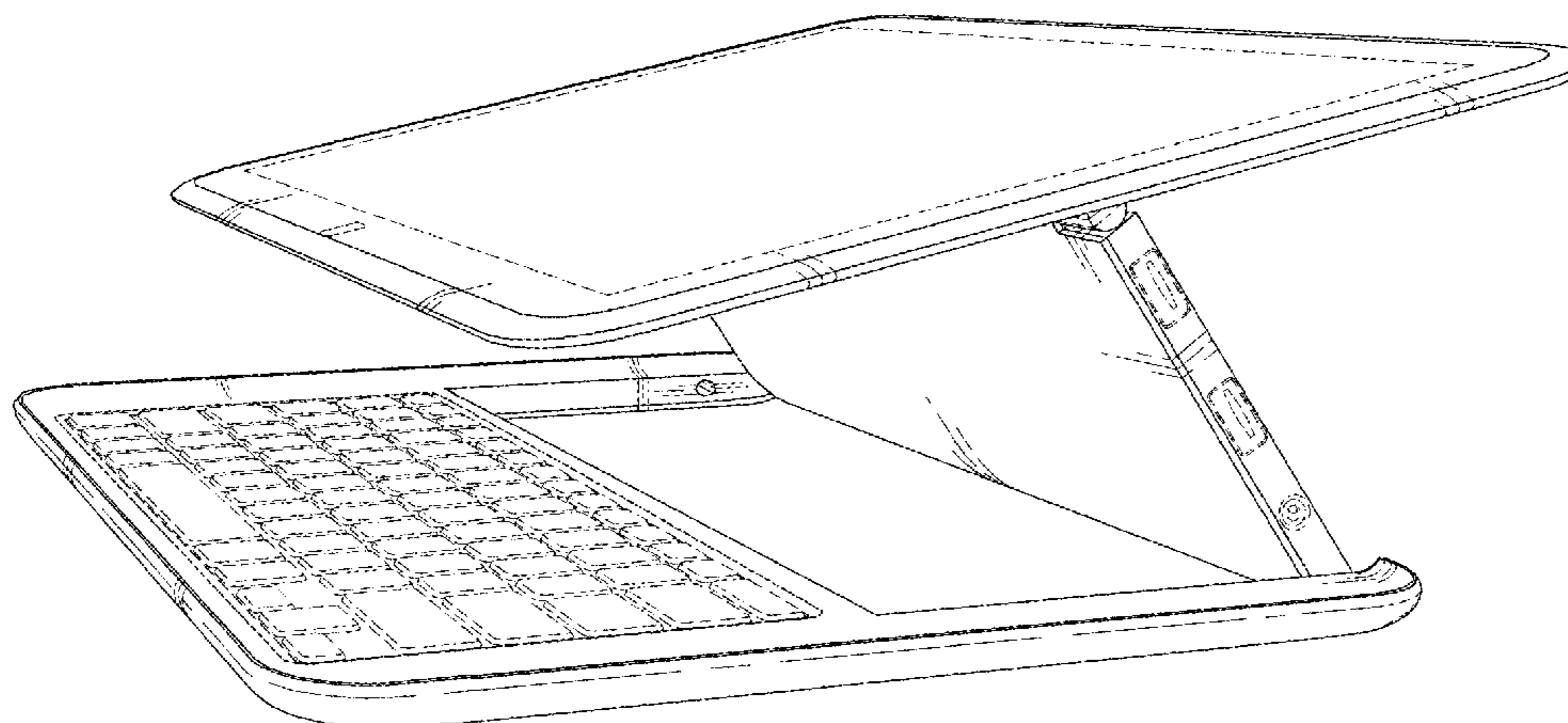
(57) **CLAIM**

The ornamental design for a notebook computer, as shown and described.

DESCRIPTION

FIG. 1 is a front perspective view of a notebook computer; FIG. 2 is a front view of the notebook computer of FIG. 1; FIG. 3 is a rear view of the notebook computer of FIG. 1; FIG. 4 is a left-side view of the notebook computer of FIG. 1; FIG. 5 is a right-side view of the notebook computer of FIG. 1; FIG. 6 is a top plan view of the notebook computer of FIG. 1; FIG. 7 is a bottom plan view of the notebook computer of FIG. 1; FIG. 8 is a left-side view of the notebook computer of FIG. 1, showing the display part rotates on a hinge; FIG. 9 is a second left-side view of the notebook computer of FIG. 1, showing the display part rotates on a hinge; FIG. 10 is a third left-side view of the notebook computer of FIG. 1, showing the display part rotates on a hinge; FIG. 11 is a closed perspective view of the notebook computer of FIG. 1; FIG. 12 is an open front perspective view of the notebook computer, showing the display screen at a 45° angle while facing the interior of the notebook computer; FIG. 13 is a front view of the notebook computer of FIG. 12; FIG. 14 is a rear view of the notebook computer of FIG. 12; FIG. 15 is a left-side view of the notebook computer of FIG. 12; FIG. 16 is a right-side view of the notebook computer of FIG. 12; FIG. 17 is a top plan view of the notebook computer of FIG. 12; and, FIG. 18 is a bottom plan view of the notebook computer of FIG. 12. Features shown in broken lines in FIGS. 1, 2, 3, 4, 5, 6, 7, 8, 9, 10, 11, 12, 13, 14, 15, 16, 17, and 18, form no part of the claimed design.

1 Claim, 16 Drawing Sheets



(56)

References Cited

U.S. PATENT DOCUMENTS

7,158,634 B2 *	1/2007	Eromaki	379/433.13			
7,599,487 B2 *	10/2009	Lim	379/433.12			
7,690,576 B2 *	4/2010	Ladouceur et al.	235/486			
D626,547 S *	11/2010	Li et al.	D14/316			
2005/0044665 A1 *	3/2005	Kuramochi	16/341			

* cited by examiner

FIG. 1

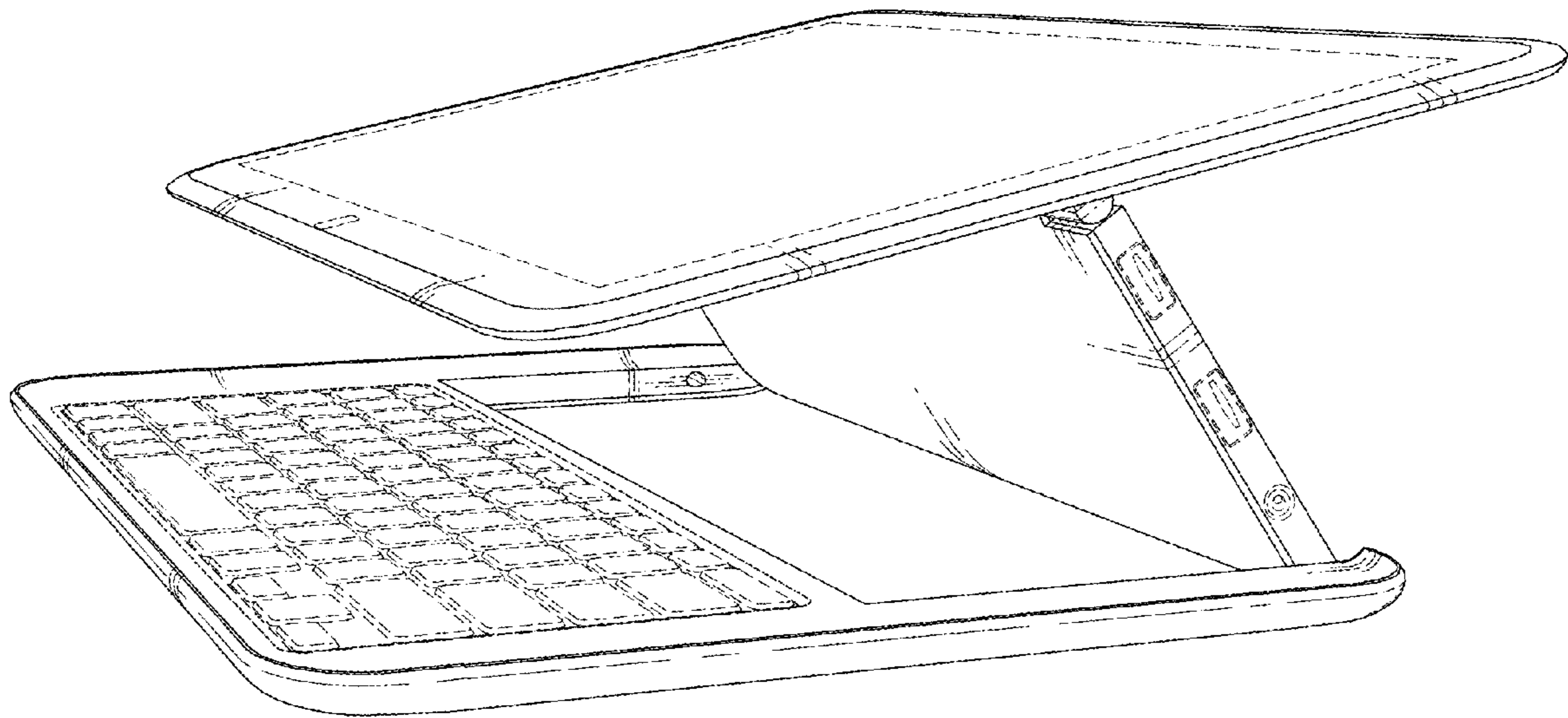


FIG. 2

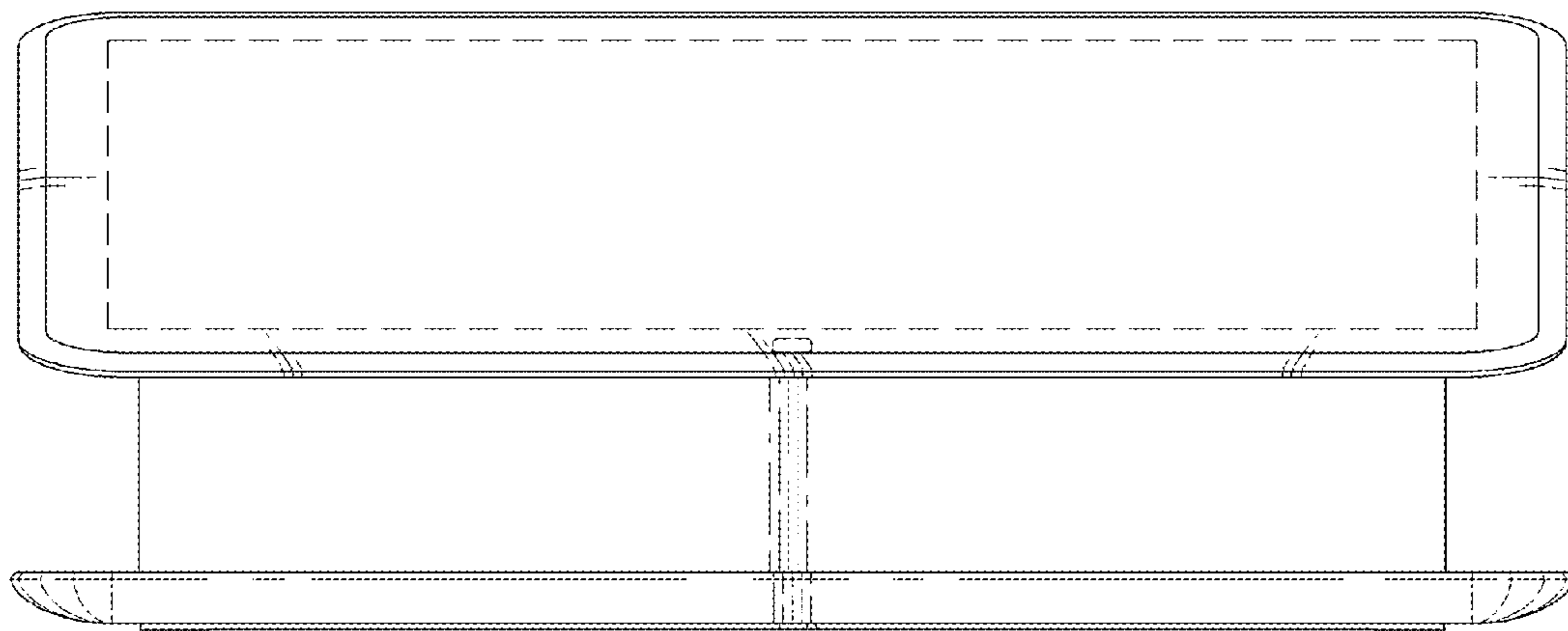


FIG. 3

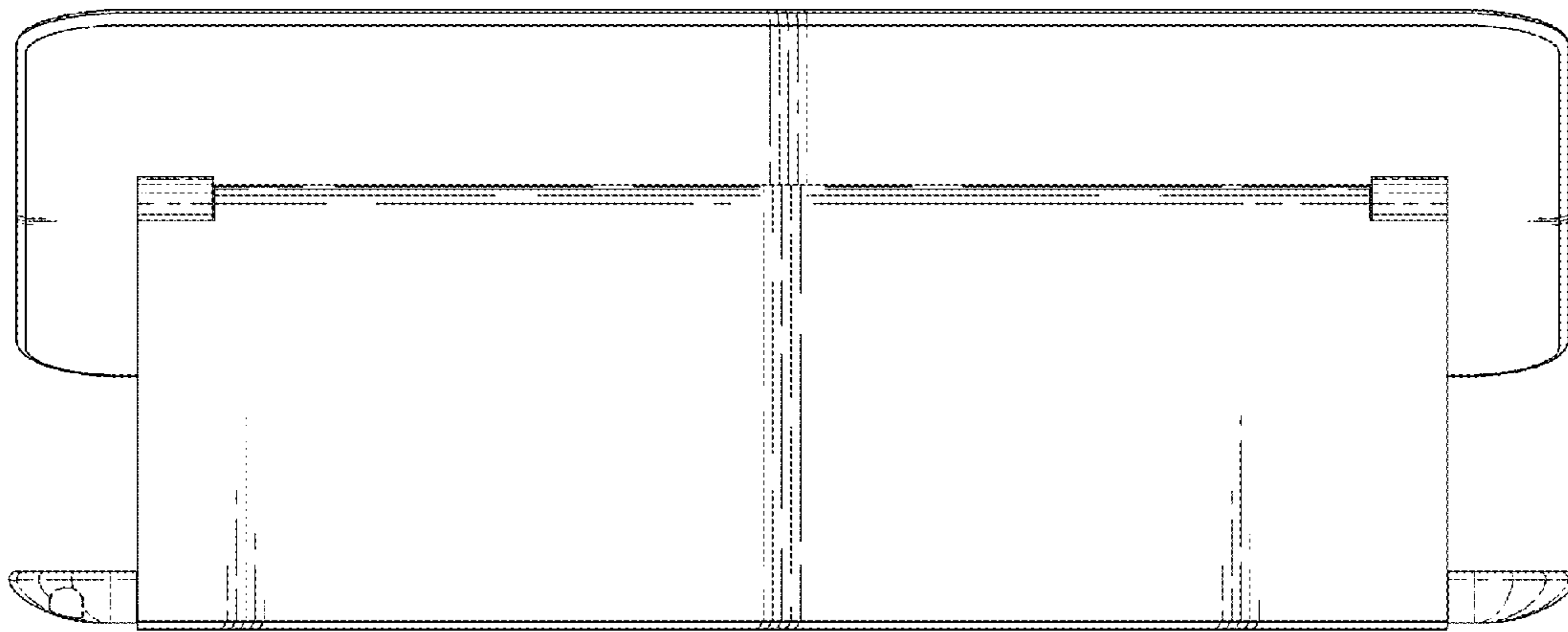


FIG. 4

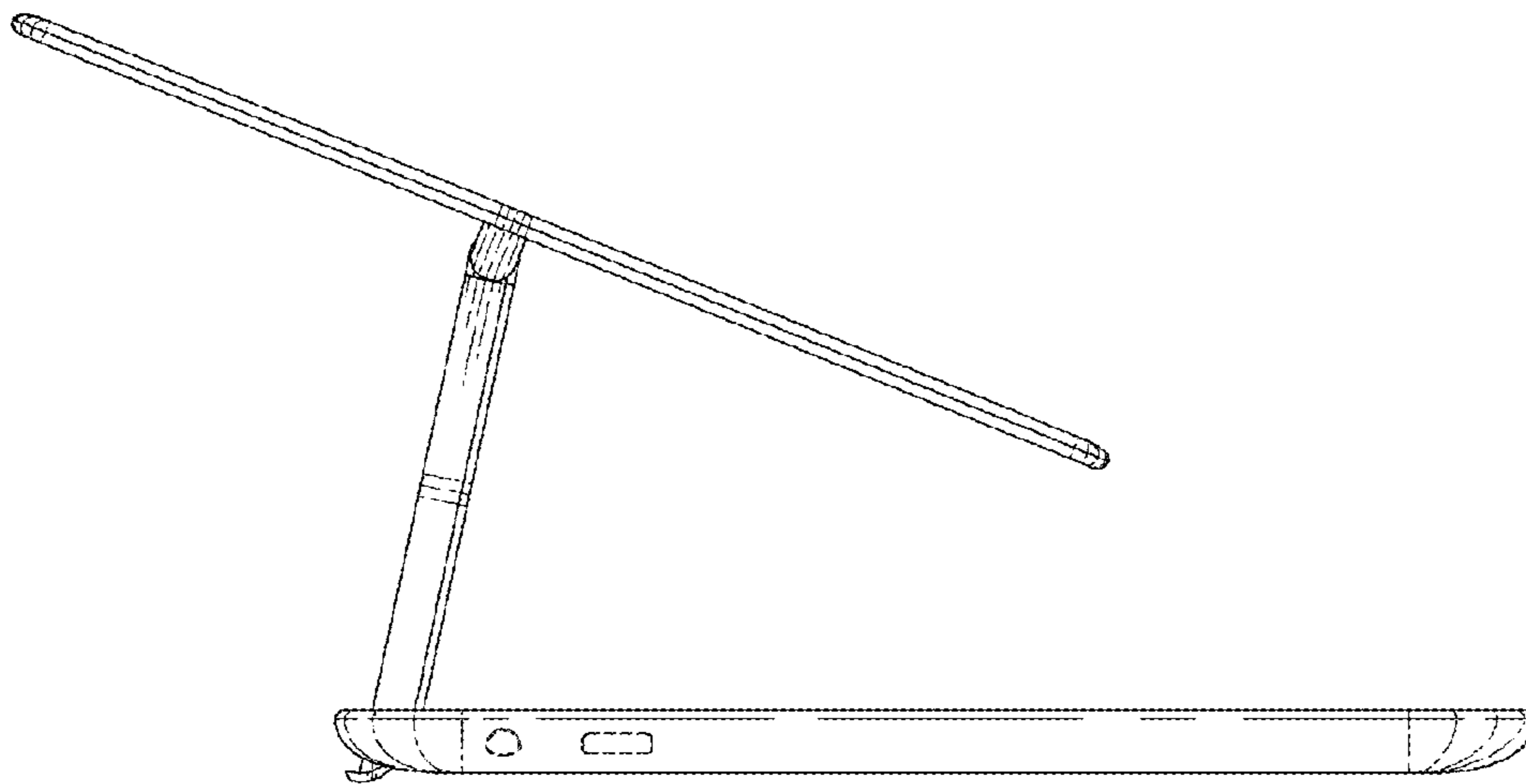


FIG. 5

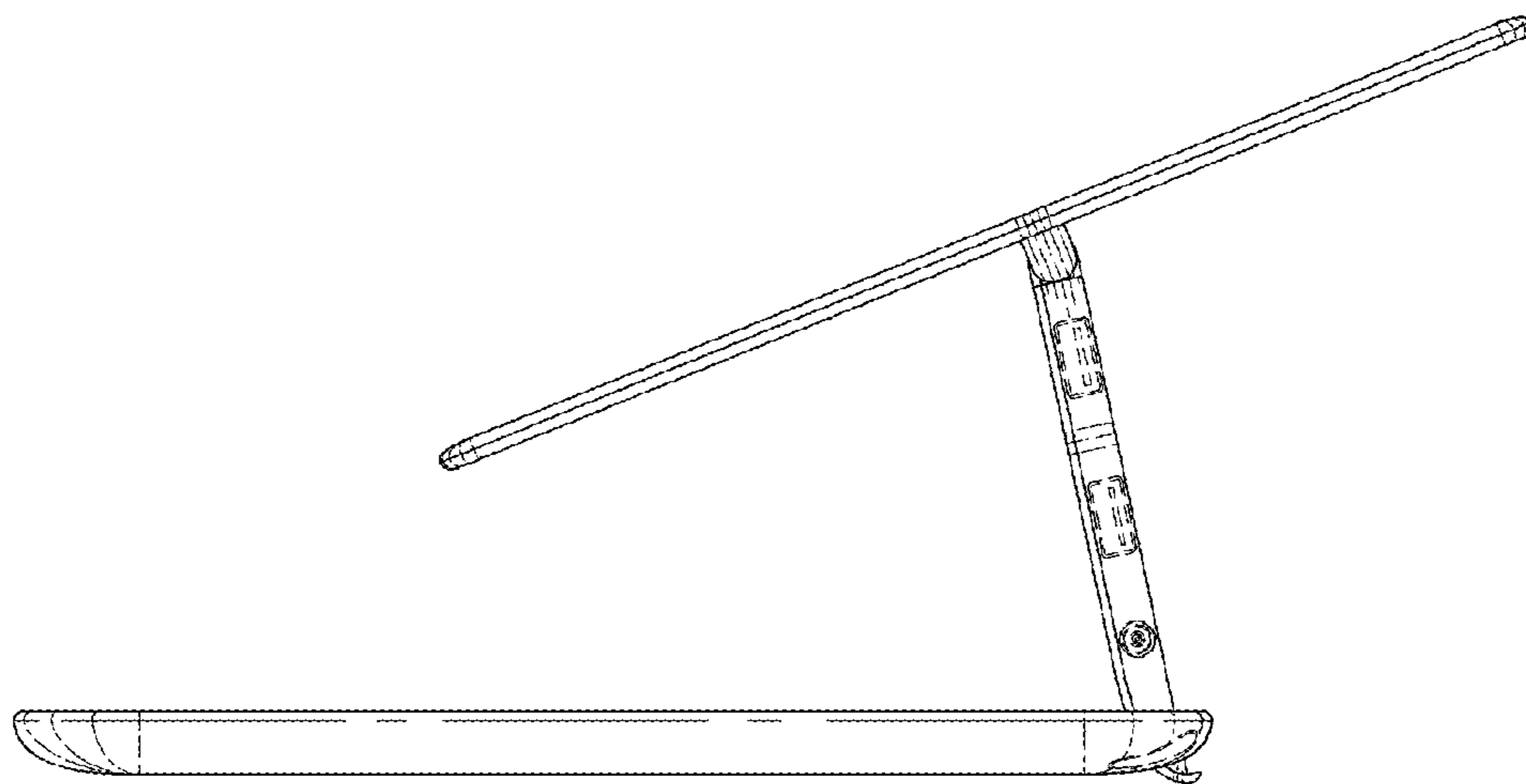


FIG. 6

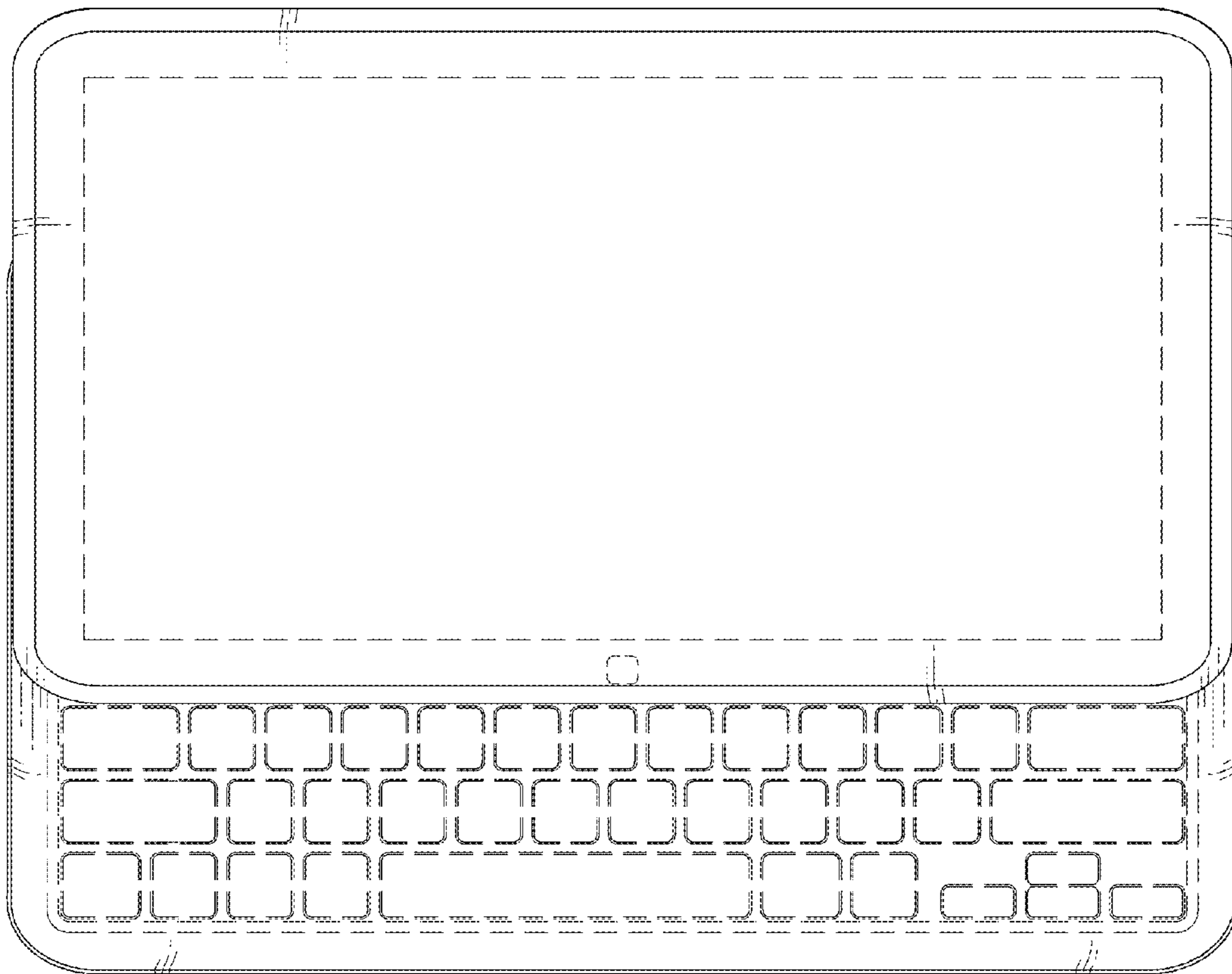


FIG. 7

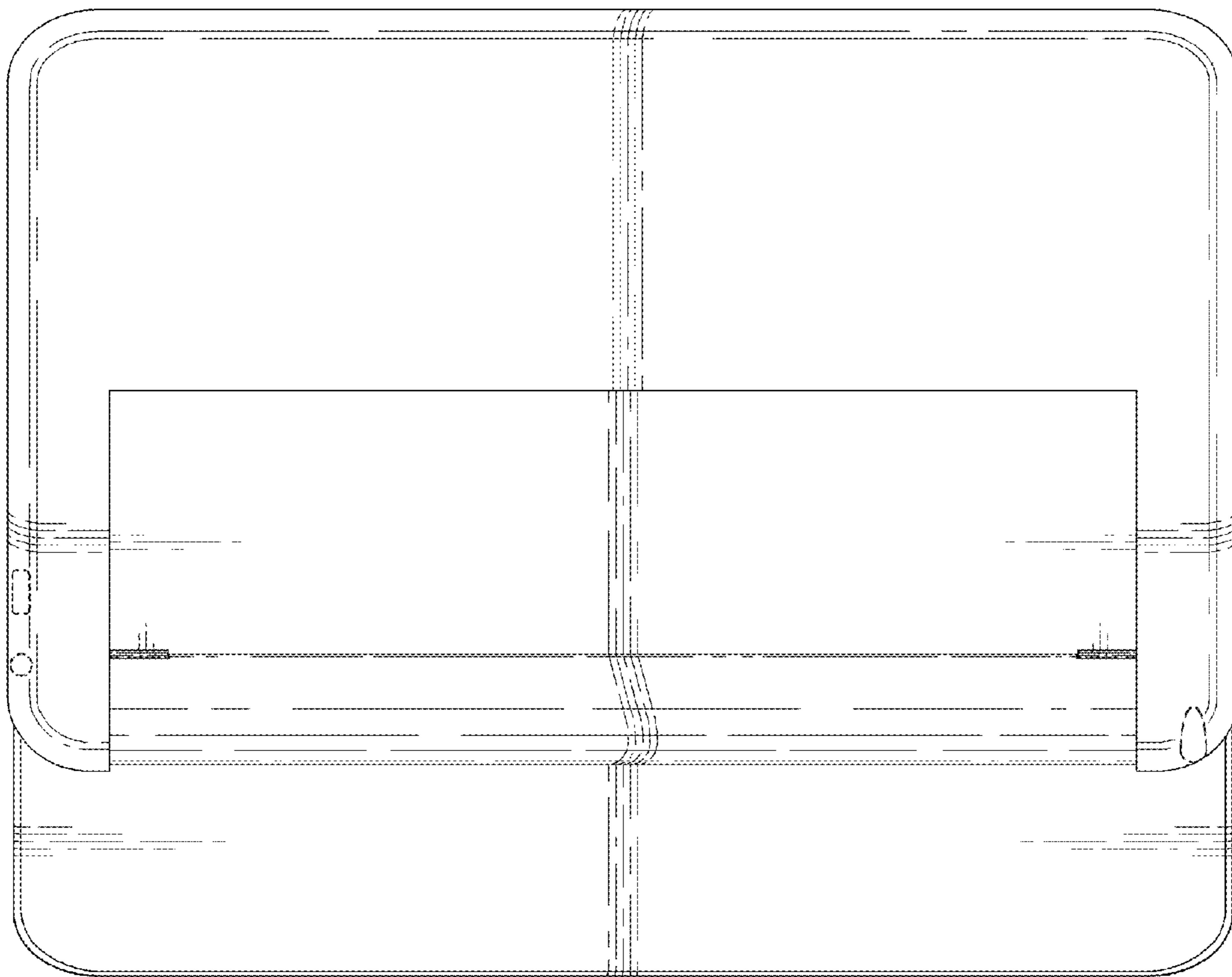


FIG. 8

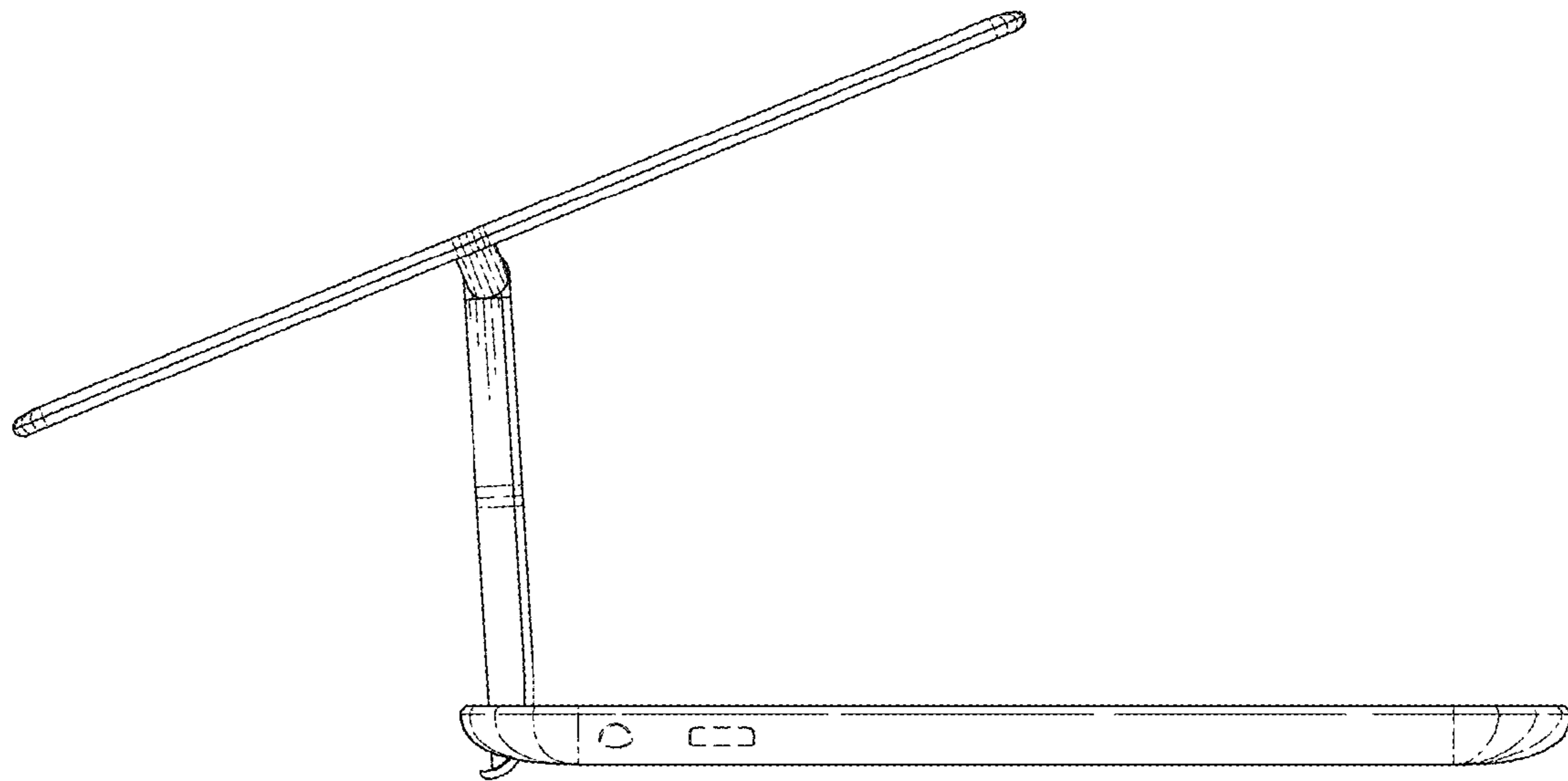


FIG. 9

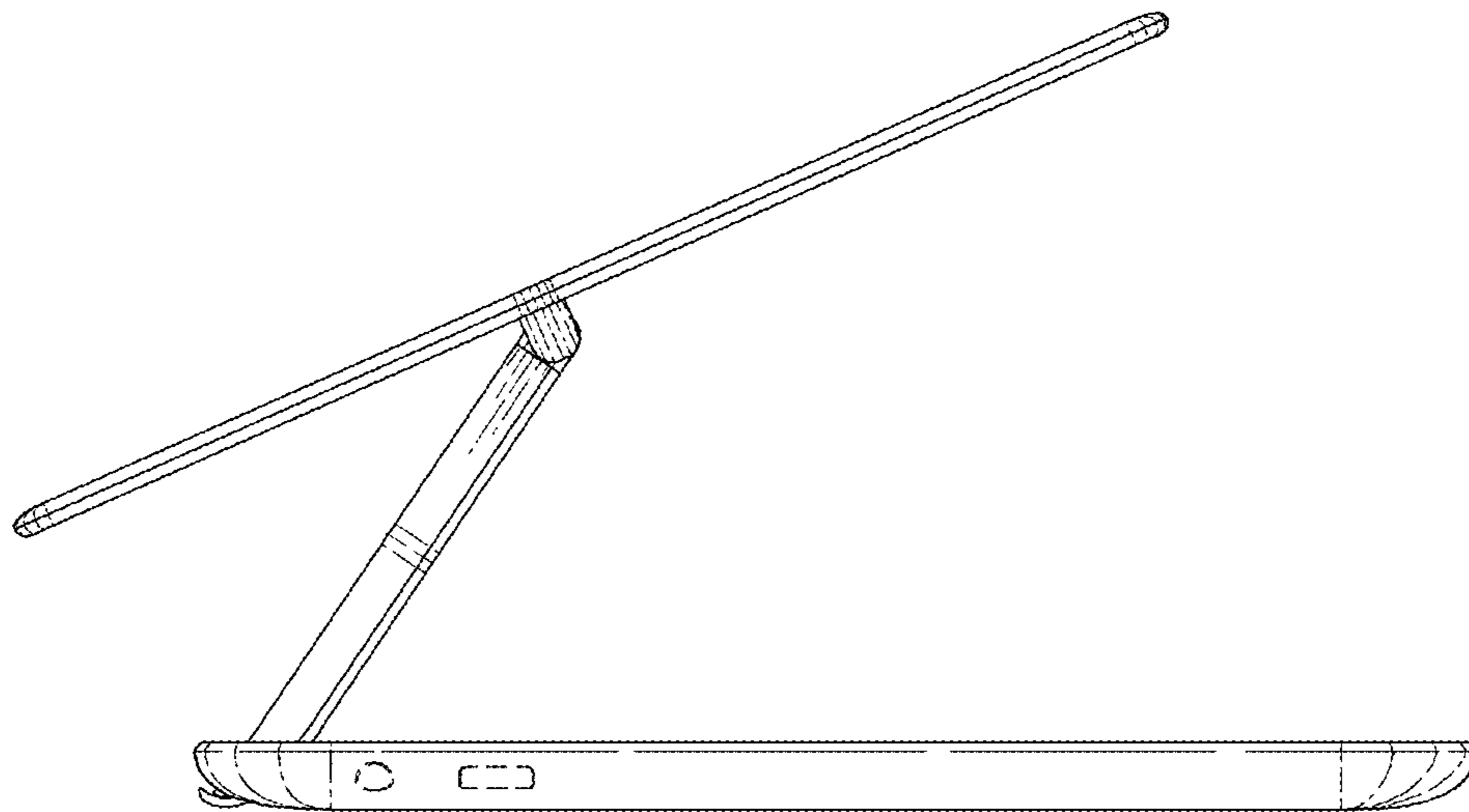


FIG. 10

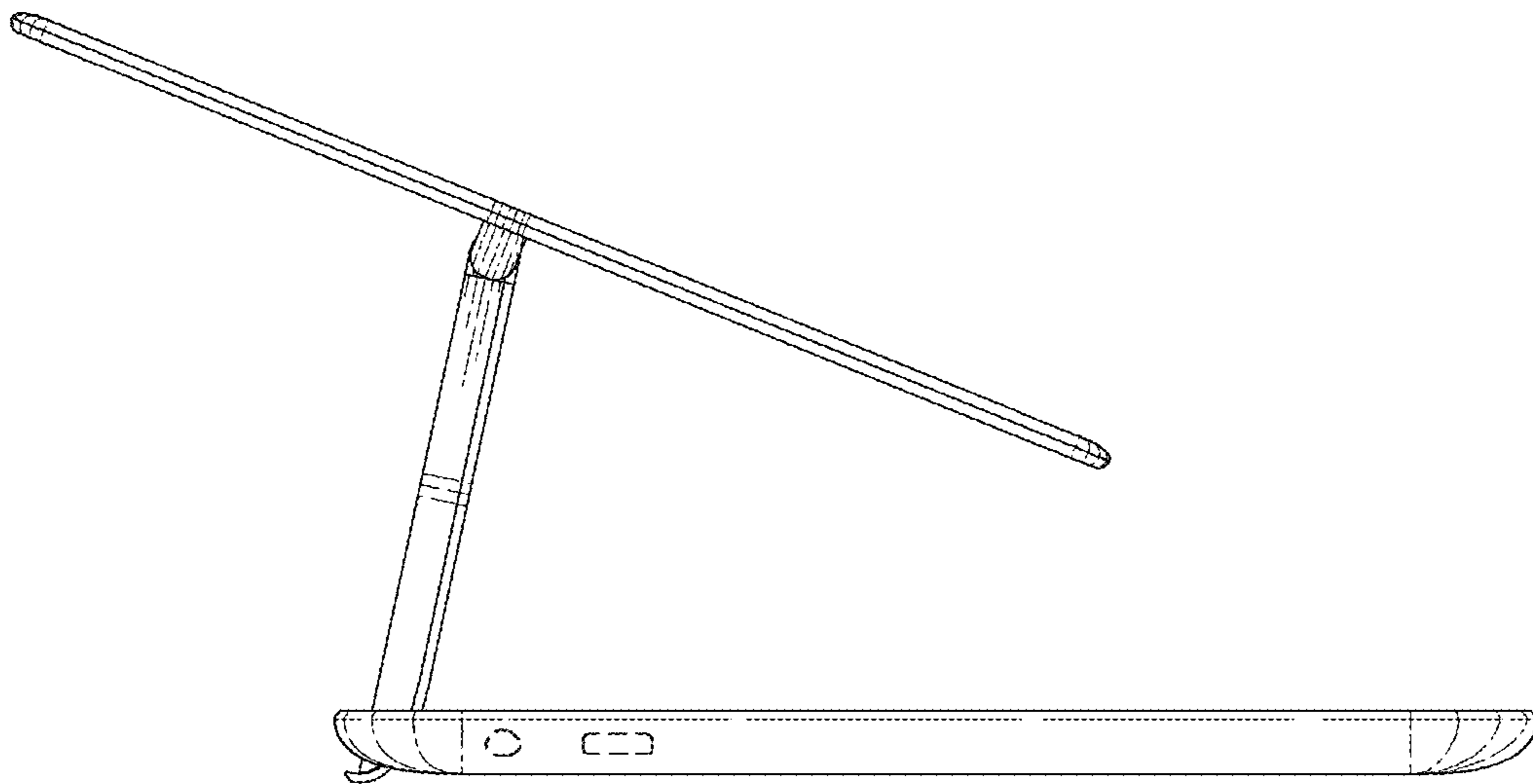


FIG. 11

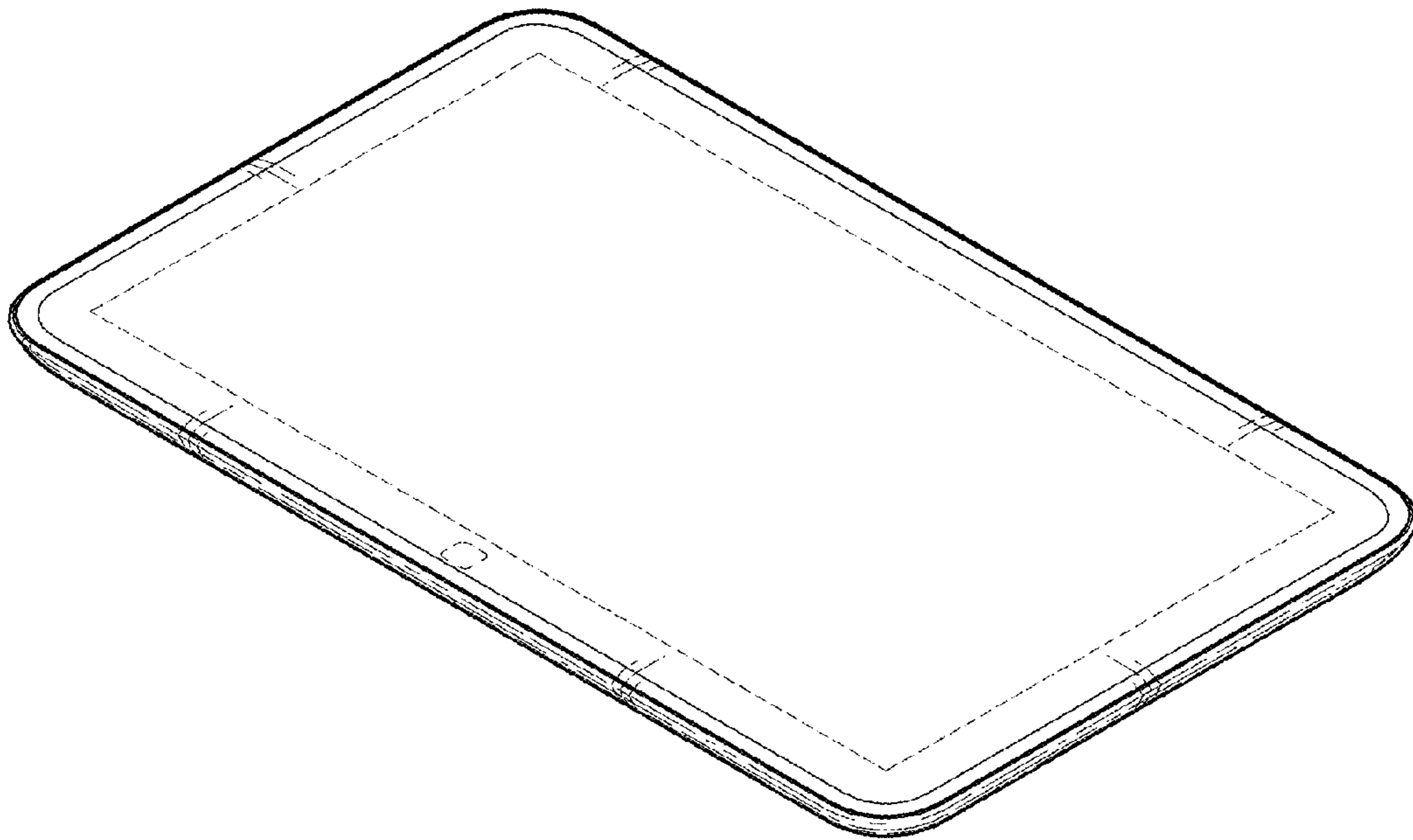


FIG. 12

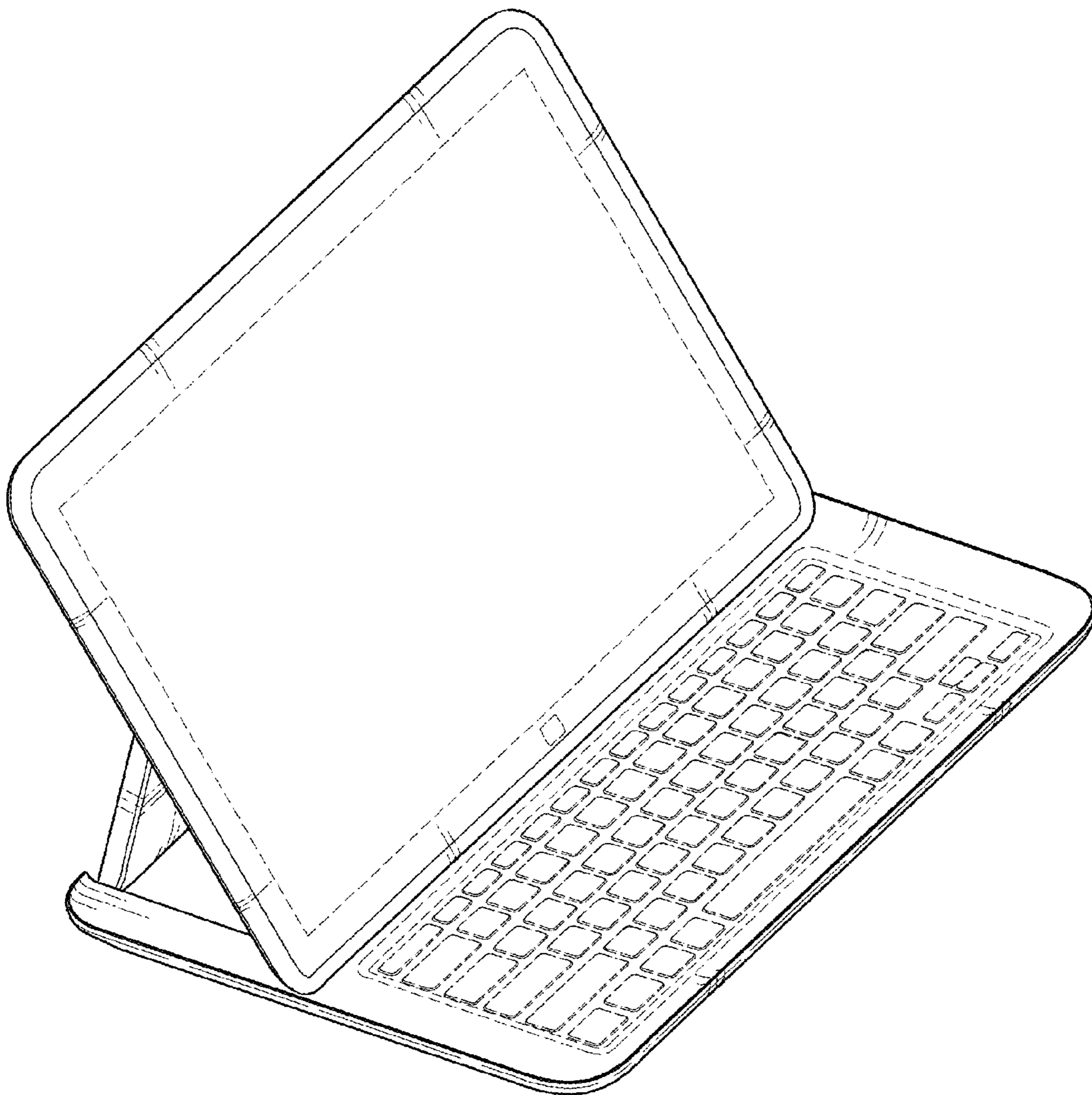


FIG. 13

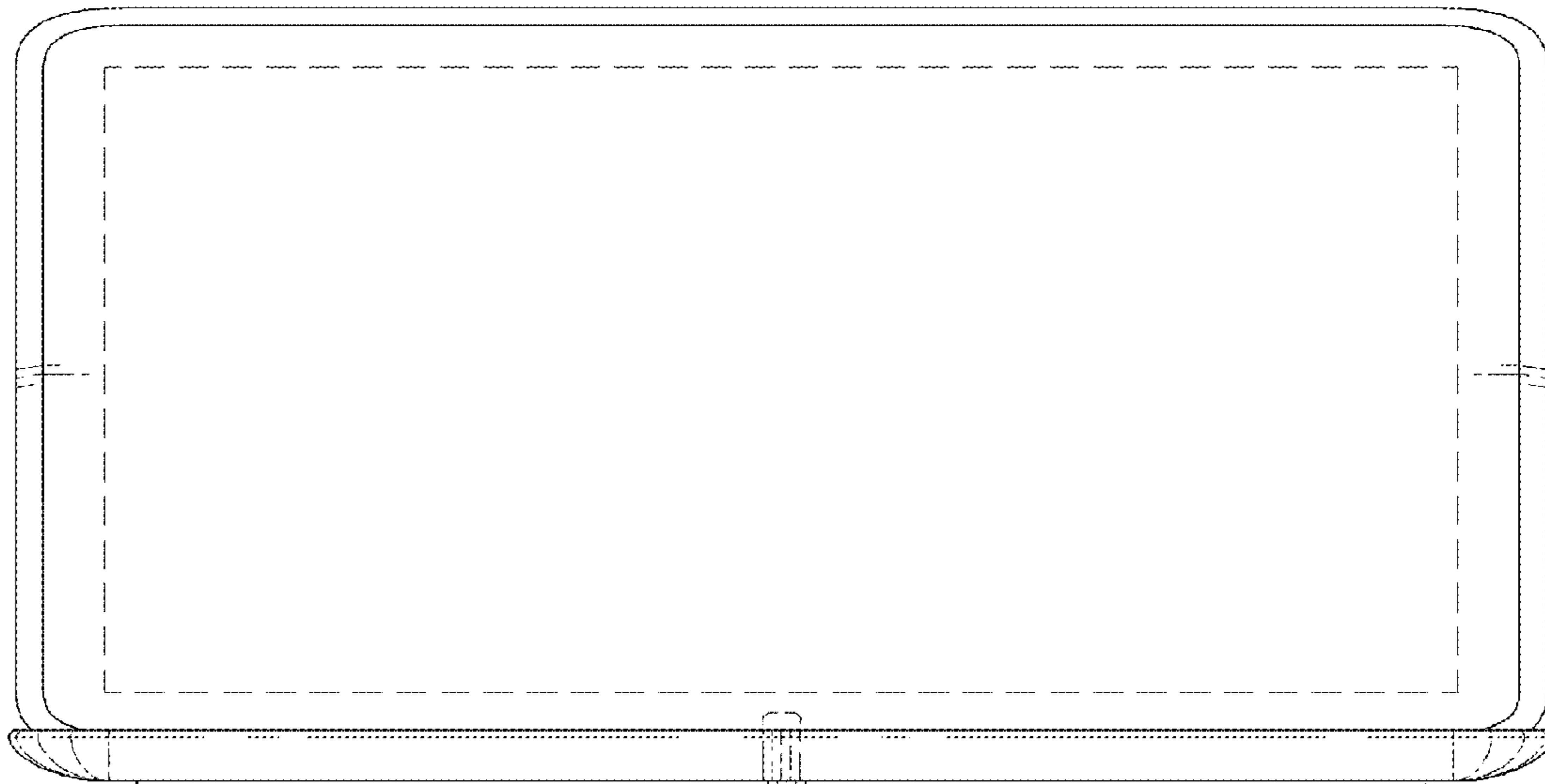


FIG. 14

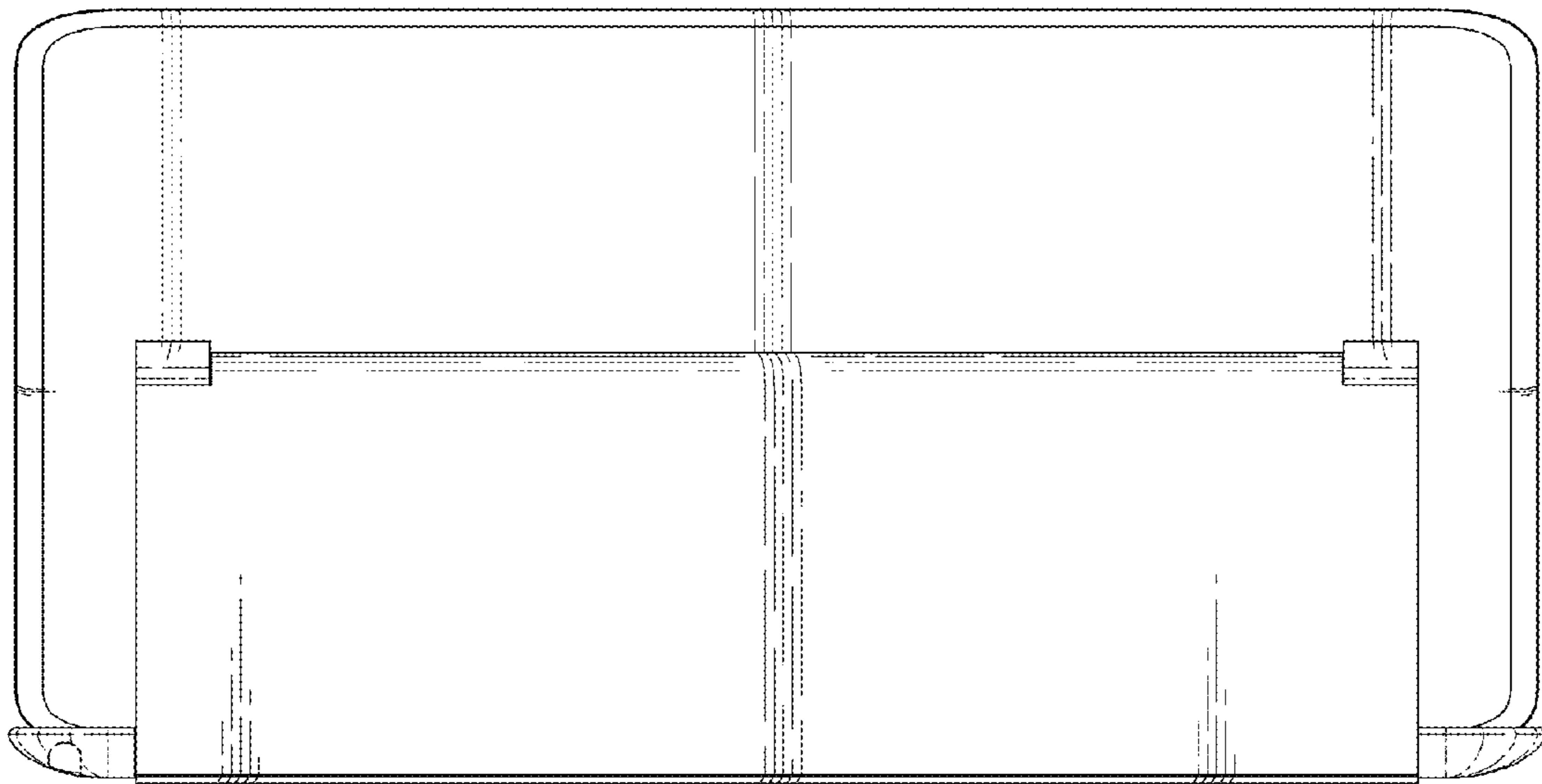


FIG. 15

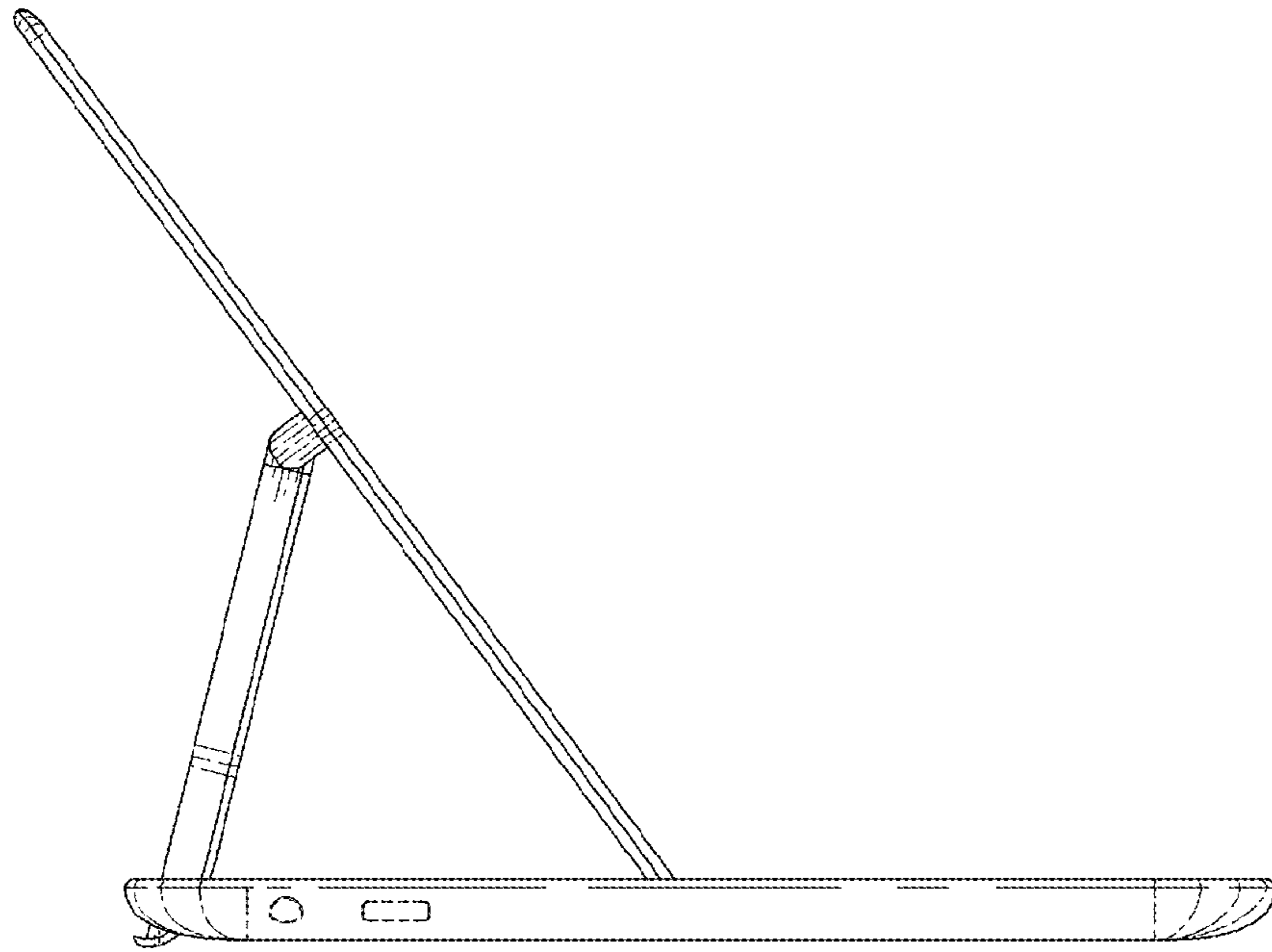


FIG. 16

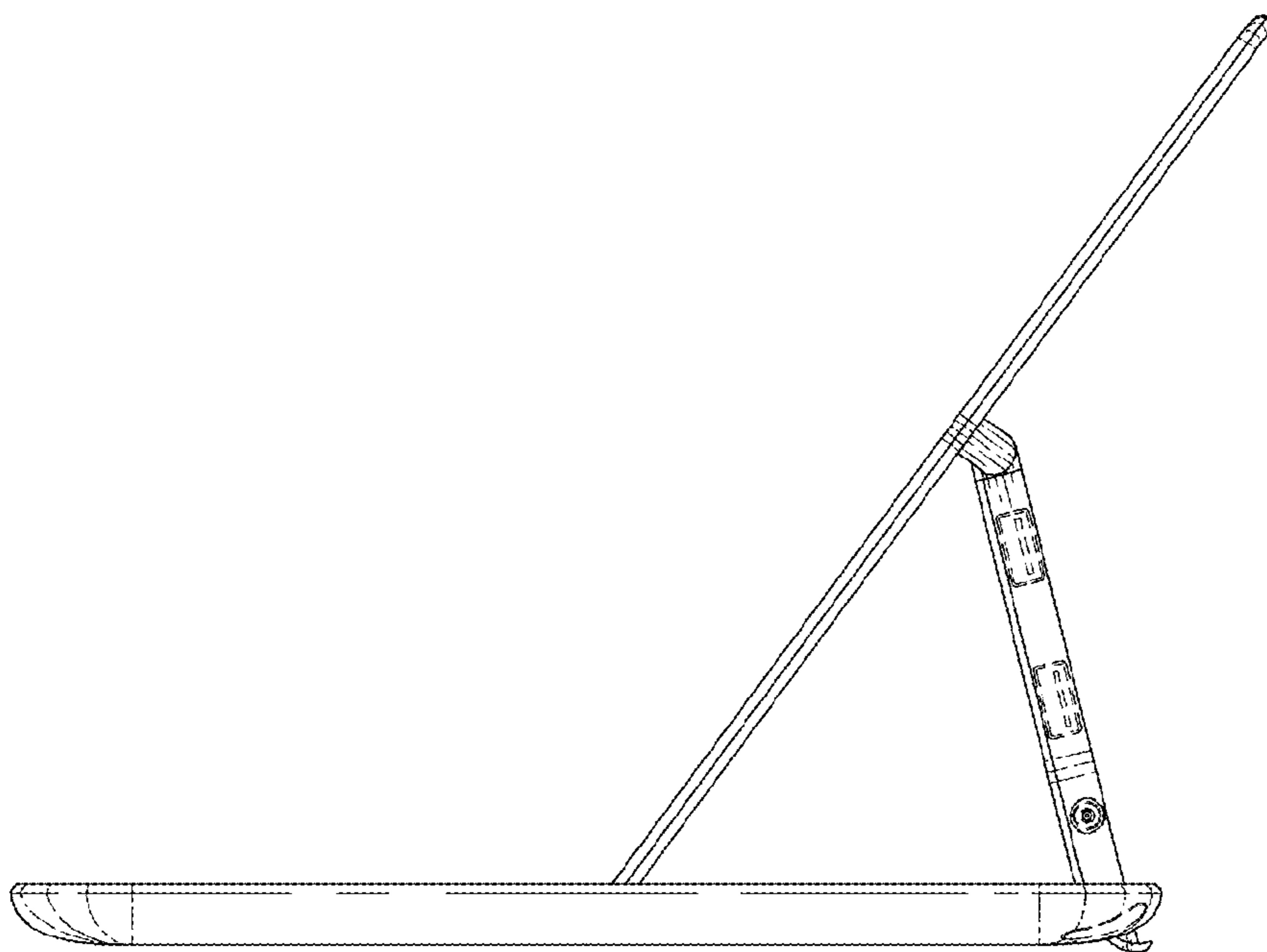


FIG. 17

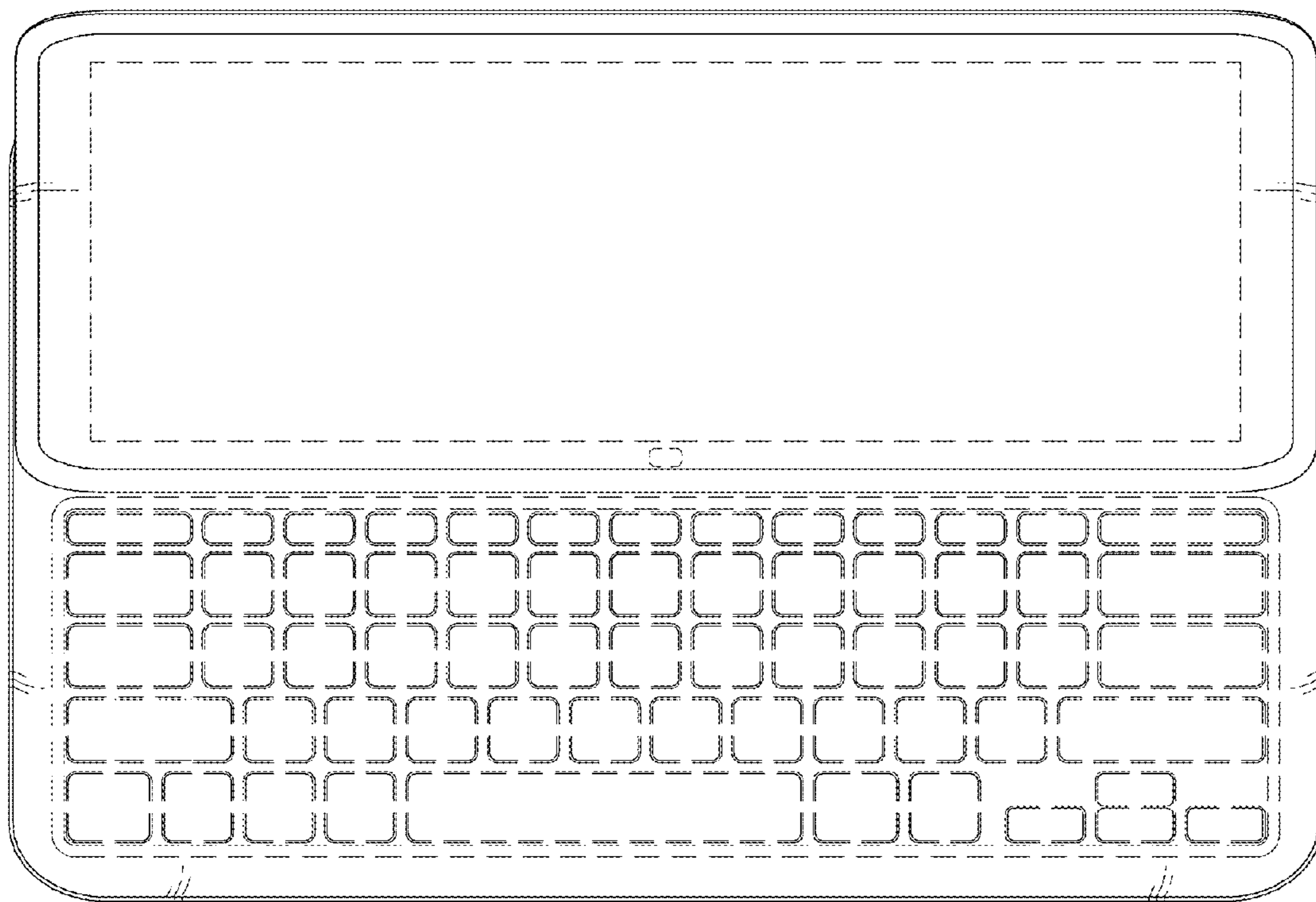


FIG. 18

