



US00D712892S

(12) **United States Design Patent**  
**Hong et al.**

(10) **Patent No.:** **US D712,892 S**

(45) **Date of Patent:** **\*\* Sep. 9, 2014**

(54) **PROTECTIVE CASE FOR AN ELECTRONIC DEVICE**

D671,105 S \* 11/2012 Rothbaum et al. .... D14/250  
D671,107 S \* 11/2012 Rothbaum et al. .... D14/250  
D671,109 S \* 11/2012 Rothbaum et al. .... D14/250

(75) Inventors: **John Hong**, Chicago, IL (US); **William Welch**, Los Altos, CA (US)

(Continued)

(73) Assignee: **Uncommon LLC**, Chicago, IL (US)

*Primary Examiner* — Deanna L Pratt

*Assistant Examiner* — Lilyana Bekic

(\*\*) Term: **14 Years**

(74) *Attorney, Agent, or Firm* — Bishop Diehl & Lee, Ltd.

(21) Appl. No.: **29/417,069**

(57) **CLAIM**

The ornamental design for the protective case for an electronic device, as shown and described.

(22) Filed: **Mar. 29, 2012**

**DESCRIPTION**

(51) **LOC (10) Cl.** ..... **14-03**

(52) **U.S. Cl.**

USPC ..... **D14/250**

(58) **Field of Classification Search**

USPC ..... D14/250, 137, 138 AA, 217, 238.1, 248, D14/251, 252, 253, 346, 440, 496, 356; D13/107, 108; D3/201, 218, 247, 269, D3/273, 301, 303; 455/575.1, 575.8, 95, 455/93; 220/4.02; 206/305, 320, 251, 45.2

See application file for complete search history.

FIG. 1 is a perspective view of an embodiment of the protective case showing the new design;

FIG. 2 is a front face view of the protective case of FIG. 1;

FIG. 3 is a rear face view of the protective case of FIG. 1;

FIG. 4 is a left side view of the protective case of FIG. 1;

FIG. 5 is a right side view of the protective case of FIG. 1;

FIG. 6 is a top side view of the protective case of FIG. 1;

FIG. 7 is a bottom side view of the protective case of FIG. 1;

FIG. 8 is a perspective view of a second embodiment of the protective case showing the new design;

FIG. 9 is a front face view of the protective case of FIG. 8;

FIG. 10 is a rear face view of the protective case of FIG. 8;

FIG. 11 is a left side view of the protective case of FIG. 8;

FIG. 12 is a right side view of the protective case of FIG. 8;

FIG. 13 is a top side view of the protective case of FIG. 8;

FIG. 14 is a bottom side view of the protective case of FIG. 8;

and,

FIG. 15 is an exploded view of the protective case of FIG. 8.

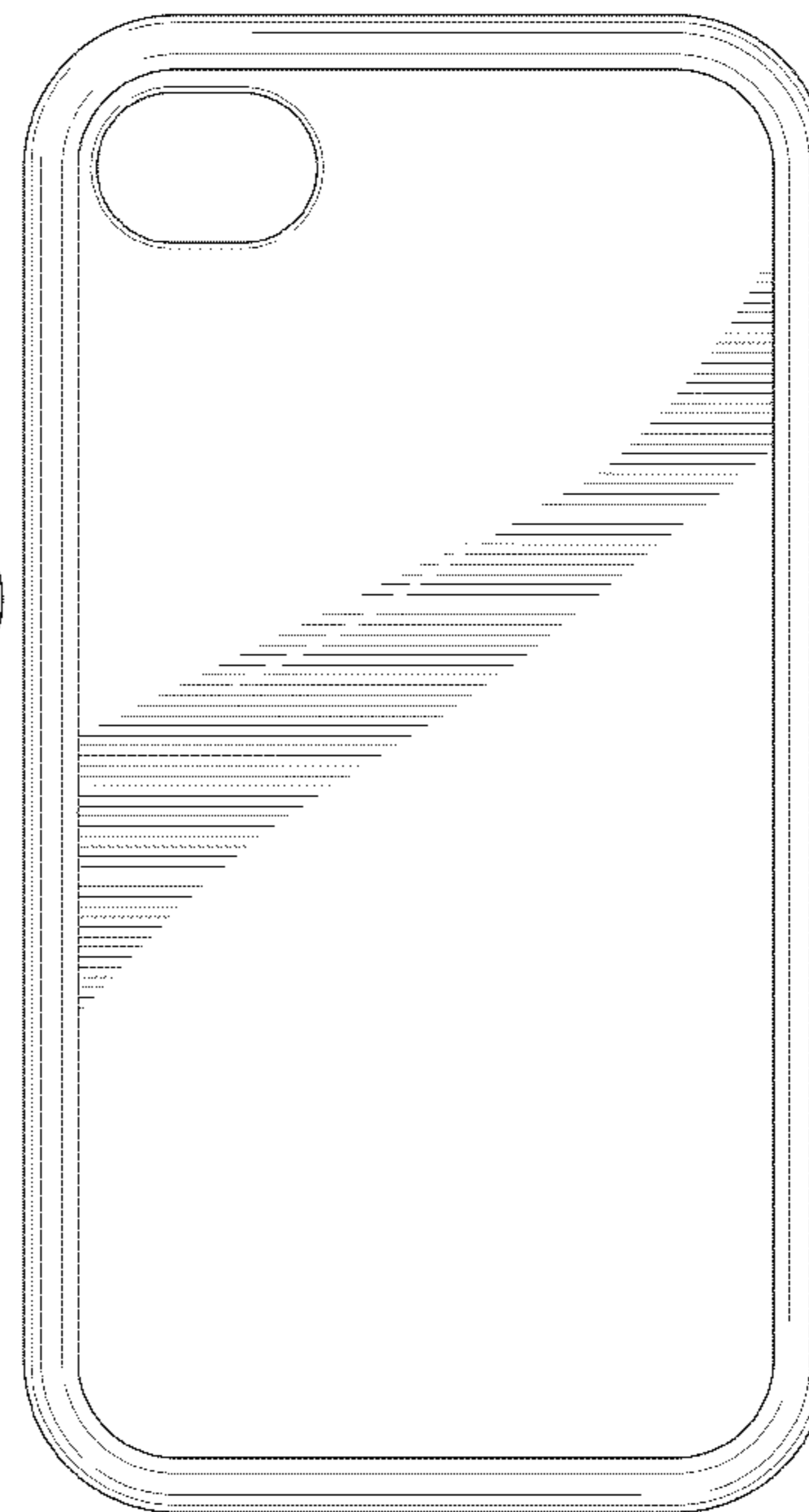
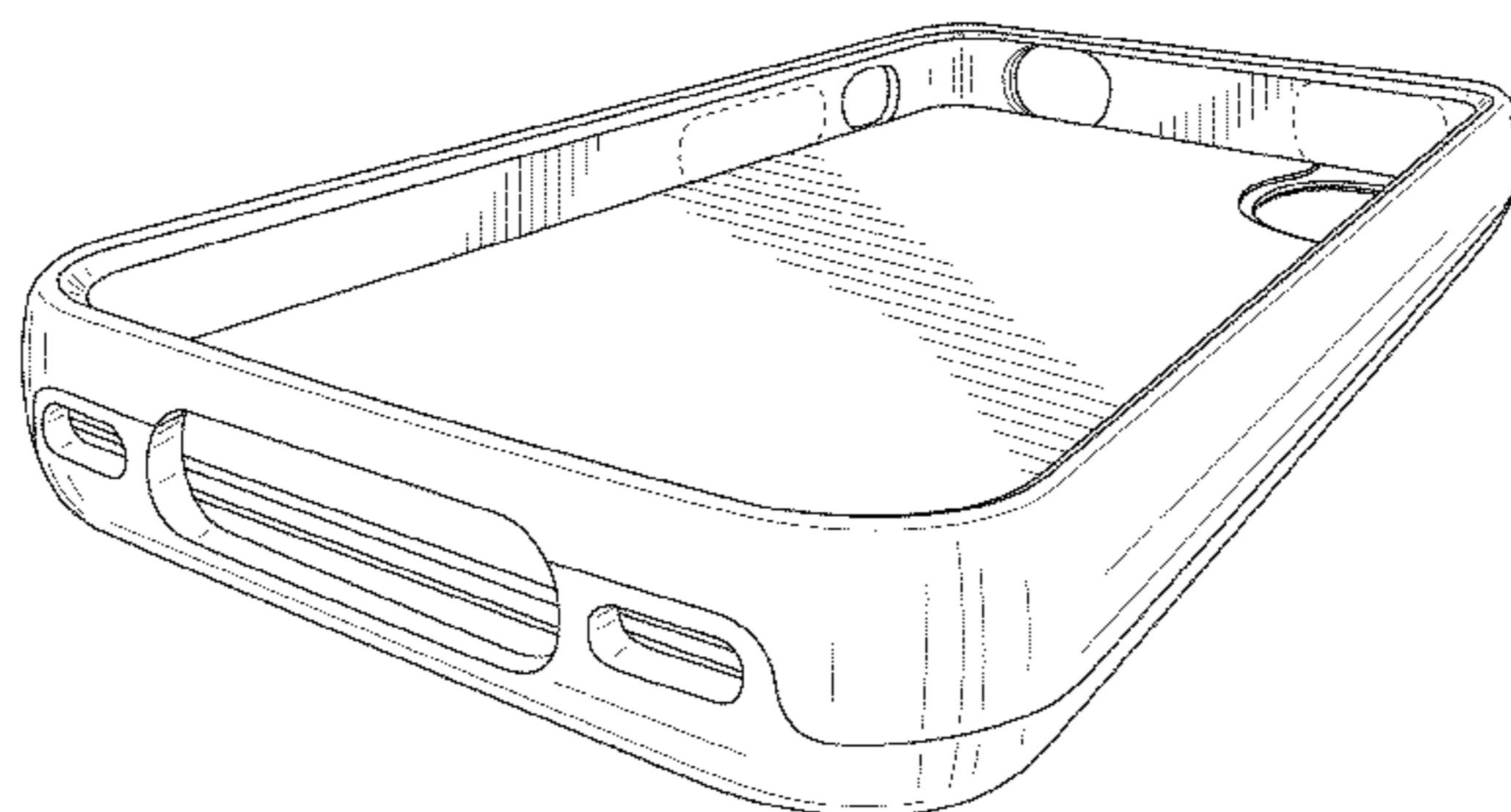
The broken lines in the drawings illustrate portions of the protective case which form no part of the claimed design.

(56) **References Cited**

U.S. PATENT DOCUMENTS

D574,819 S \* 8/2008 Andre et al. .... D3/269  
D575,056 S \* 8/2008 Tan ..... D3/218  
D623,180 S \* 9/2010 Diebel ..... D14/250  
D644,218 S \* 8/2011 Akana et al. .... D14/341  
D649,539 S \* 11/2011 Hong ..... D14/250  
D655,281 S \* 3/2012 Turocy ..... D14/250  
D662,923 S \* 7/2012 Piedra et al. .... D14/250  
D669,458 S \* 10/2012 Wilson et al. .... D14/250  
D671,102 S \* 11/2012 Rothbaum et al. .... D14/250

**1 Claim, 15 Drawing Sheets**



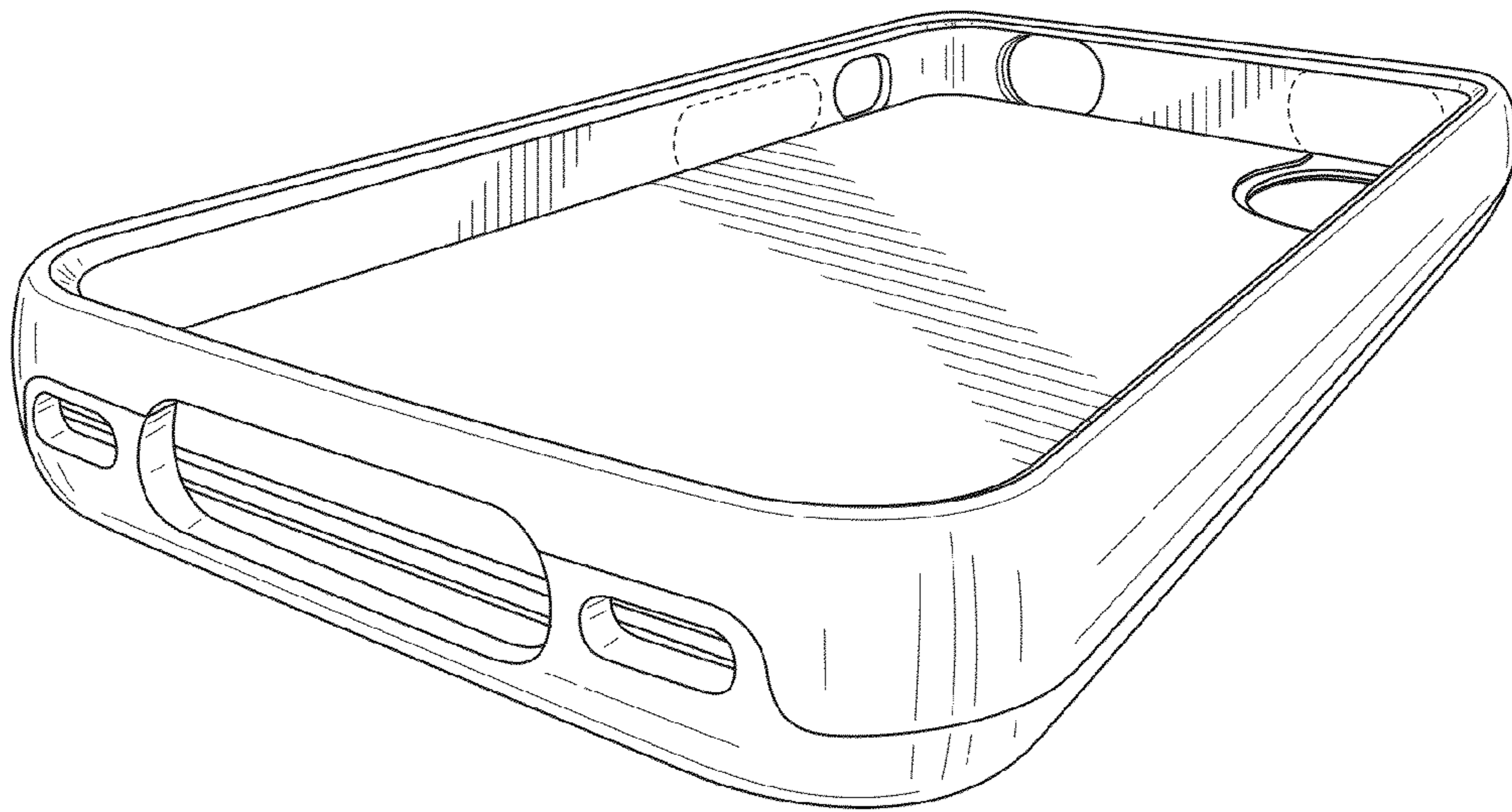
(56)

**References Cited**

U.S. PATENT DOCUMENTS

D671,930 S *	12/2012	Akana et al.	.....	D14/250	D685,356 S *	7/2013	Diebel	.....	D14/250
D673,554 S *	1/2013	Simmer	.....	D14/250	D685,361 S *	7/2013	Goradesky et al.	.....	D14/250
D678,869 S *	3/2013	Diebel	.....	D14/250	D686,606 S *	7/2013	Hong	.....	D14/250
D679,694 S *	4/2013	Fahrendorff et al.	.....	D14/250	D686,607 S *	7/2013	Hong	.....	D14/250
D679,699 S *	4/2013	Piedra et al.	.....	D14/250	D692,878 S *	11/2013	Akana et al.	.....	D14/341
D680,107 S *	4/2013	Piedra et al.	.....	D14/250	2012/0018325 A1 *	1/2012	Kim	.....	206/320
8,430,240 B2 *	4/2013	Kim	.....	206/320	2012/0103844 A1 *	5/2012	Piedra et al.	.....	206/320
D684,150 S *	6/2013	Goradesky et al.	.....	D14/250	2013/0023313 A1 *	1/2013	Kim	.....	455/575.8
8,457,701 B2 *	6/2013	Diebel	.....	455/575.8	2013/0045782 A1 *	2/2013	Simmer	.....	455/575.8
					2013/0252679 A1 *	9/2013	Yang et al.	.....	455/575.8
					2013/0257240 A1 *	10/2013	Hong	.....	312/223.1
					2013/0265703 A1 *	10/2013	Diebel	.....	361/679.01

\* cited by examiner



**FIG. 1**

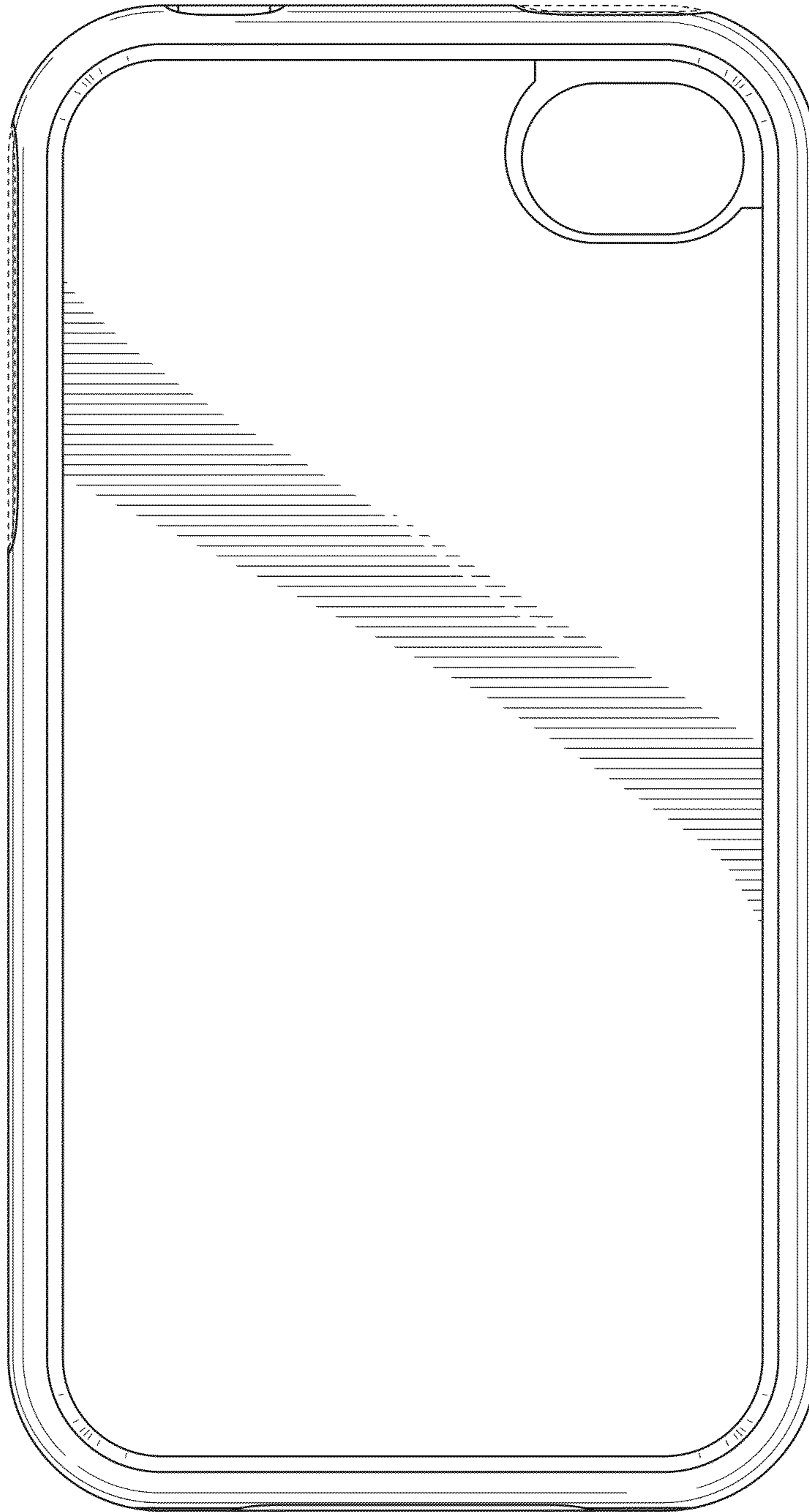
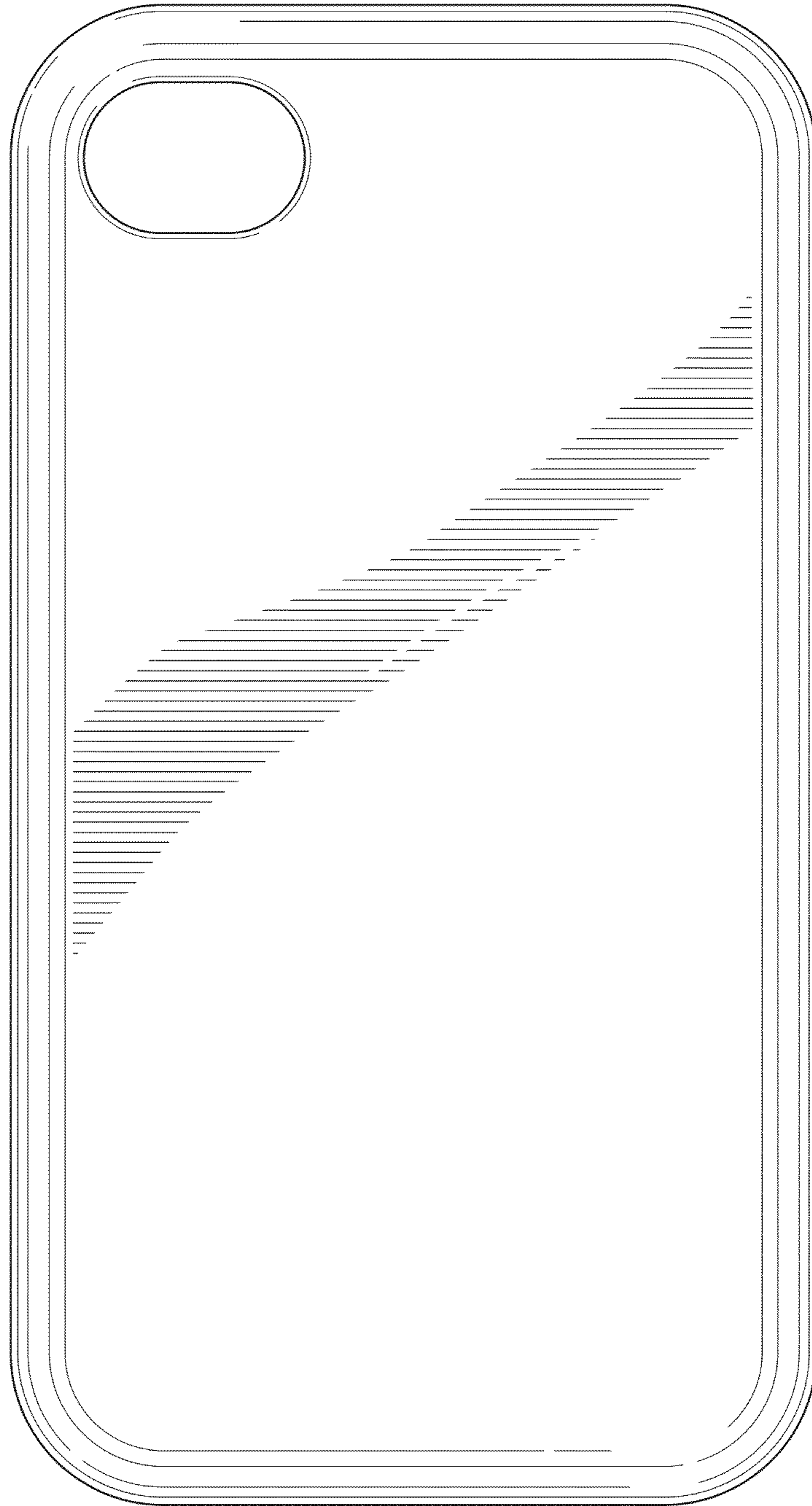
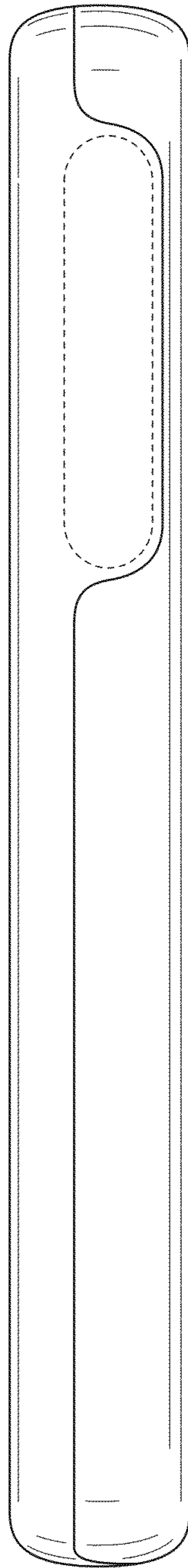


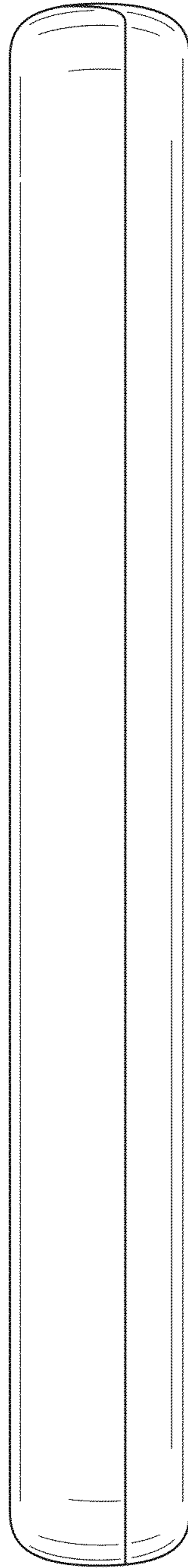
FIG. 2



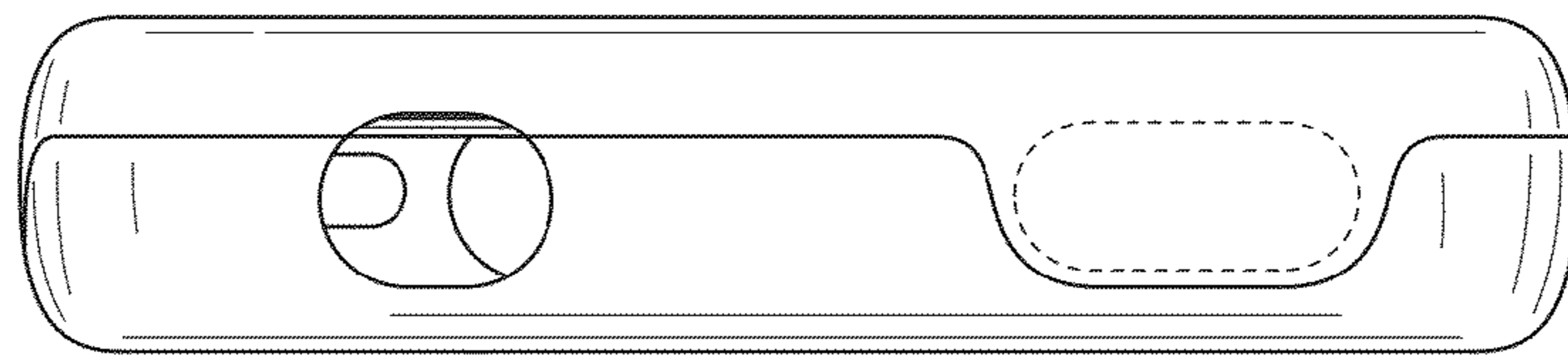
**FIG. 3**



**FIG. 4**

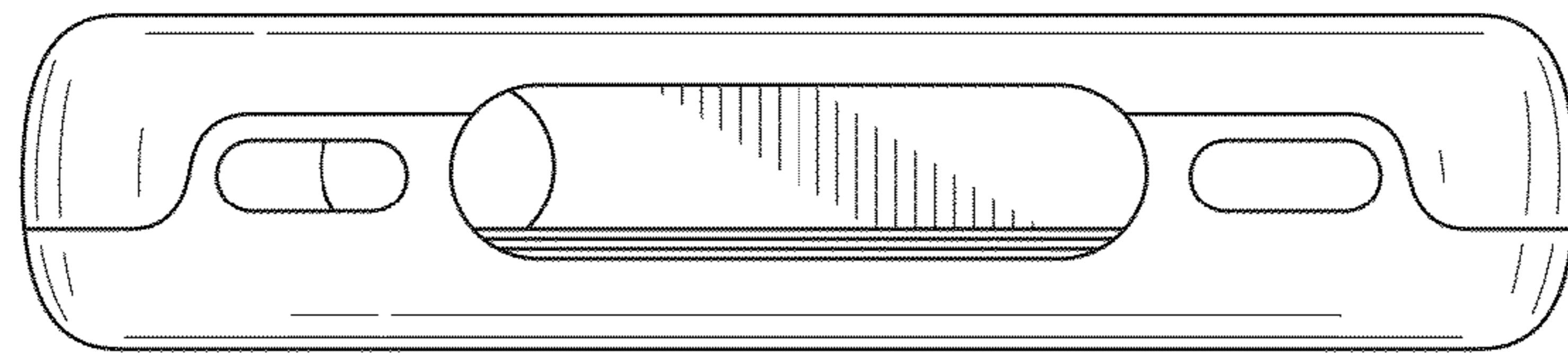


**FIG. 5**

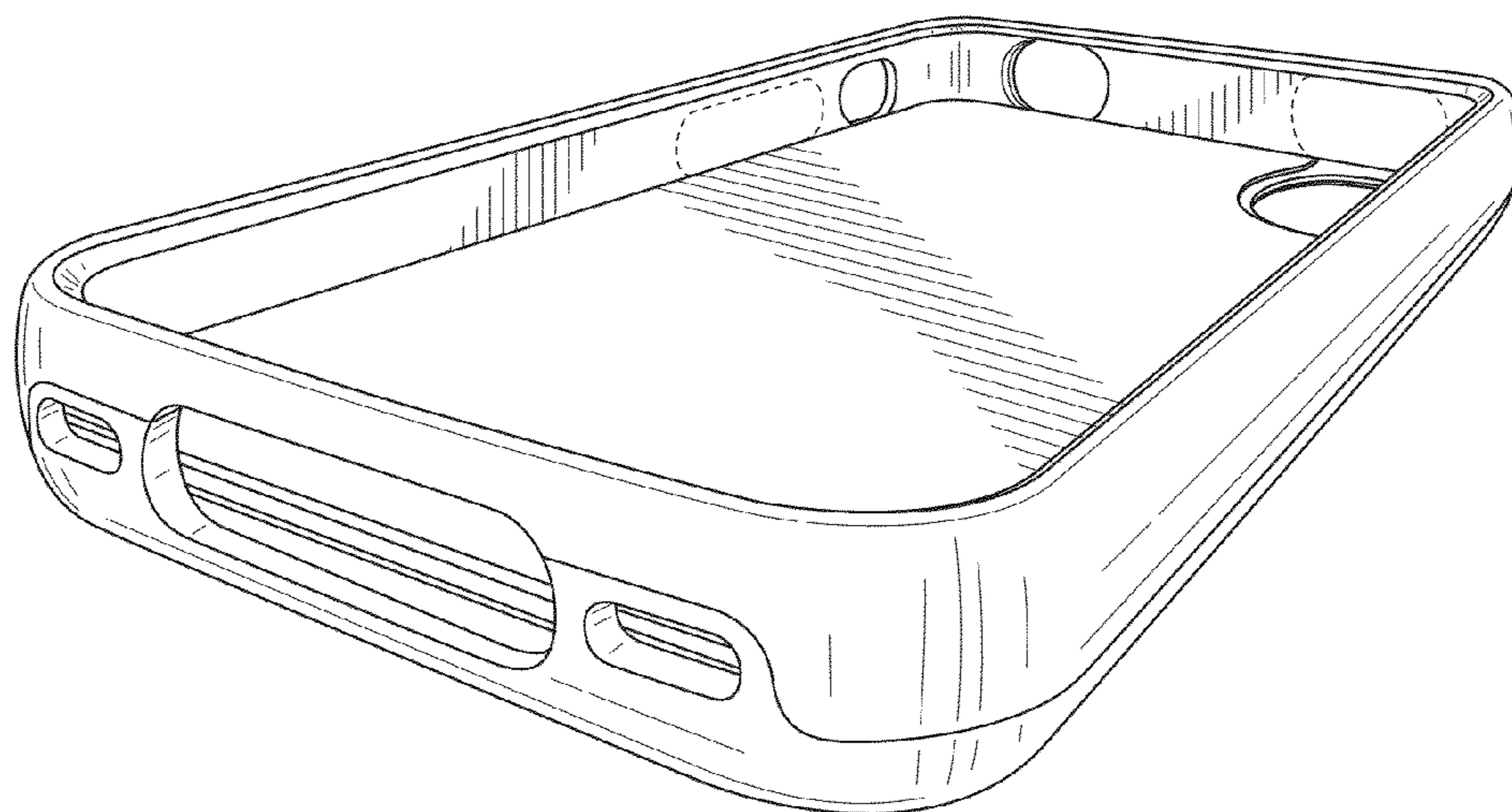


**FIG. 6**





**FIG. 7**



**FIG. 8**

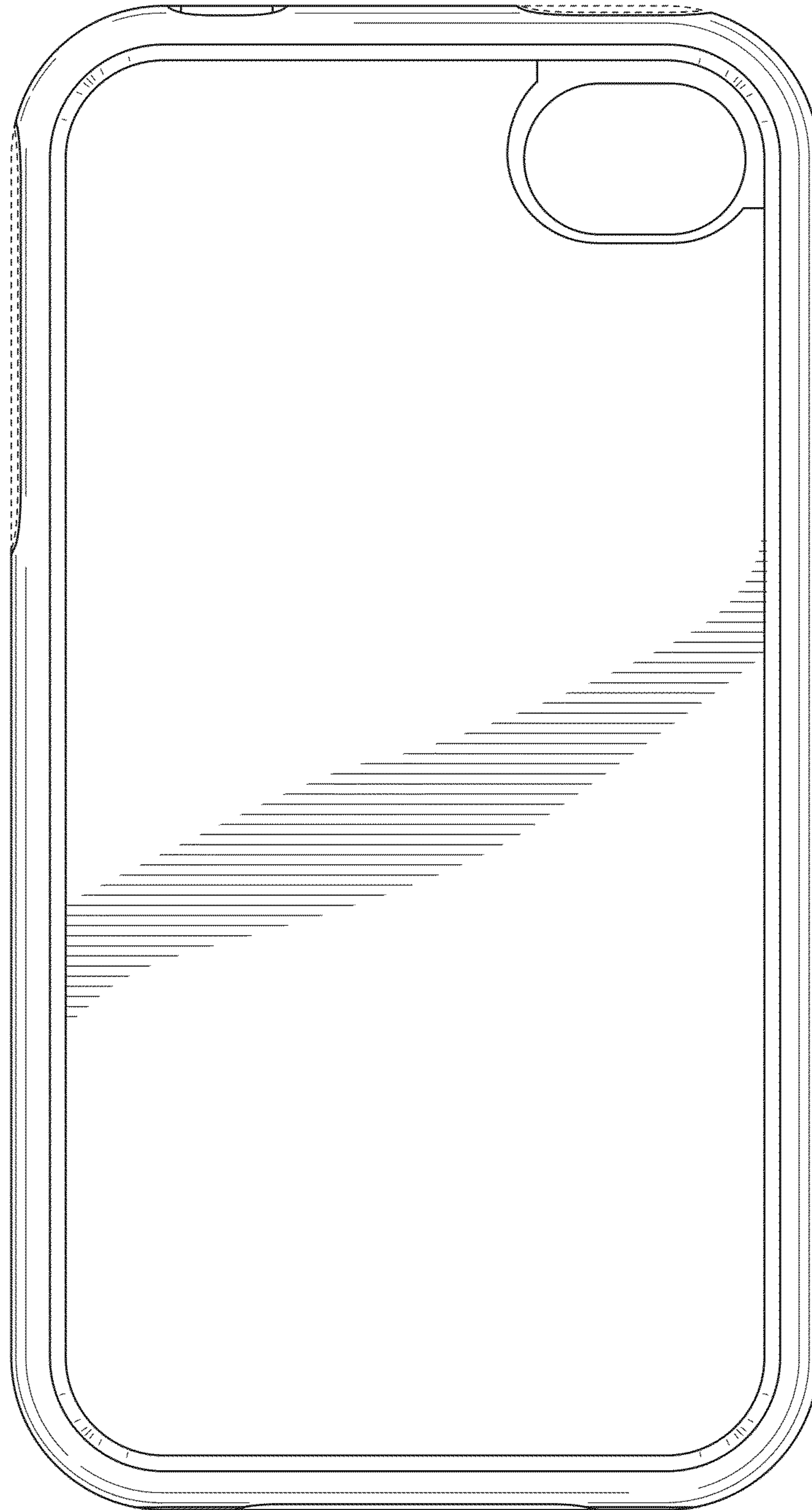
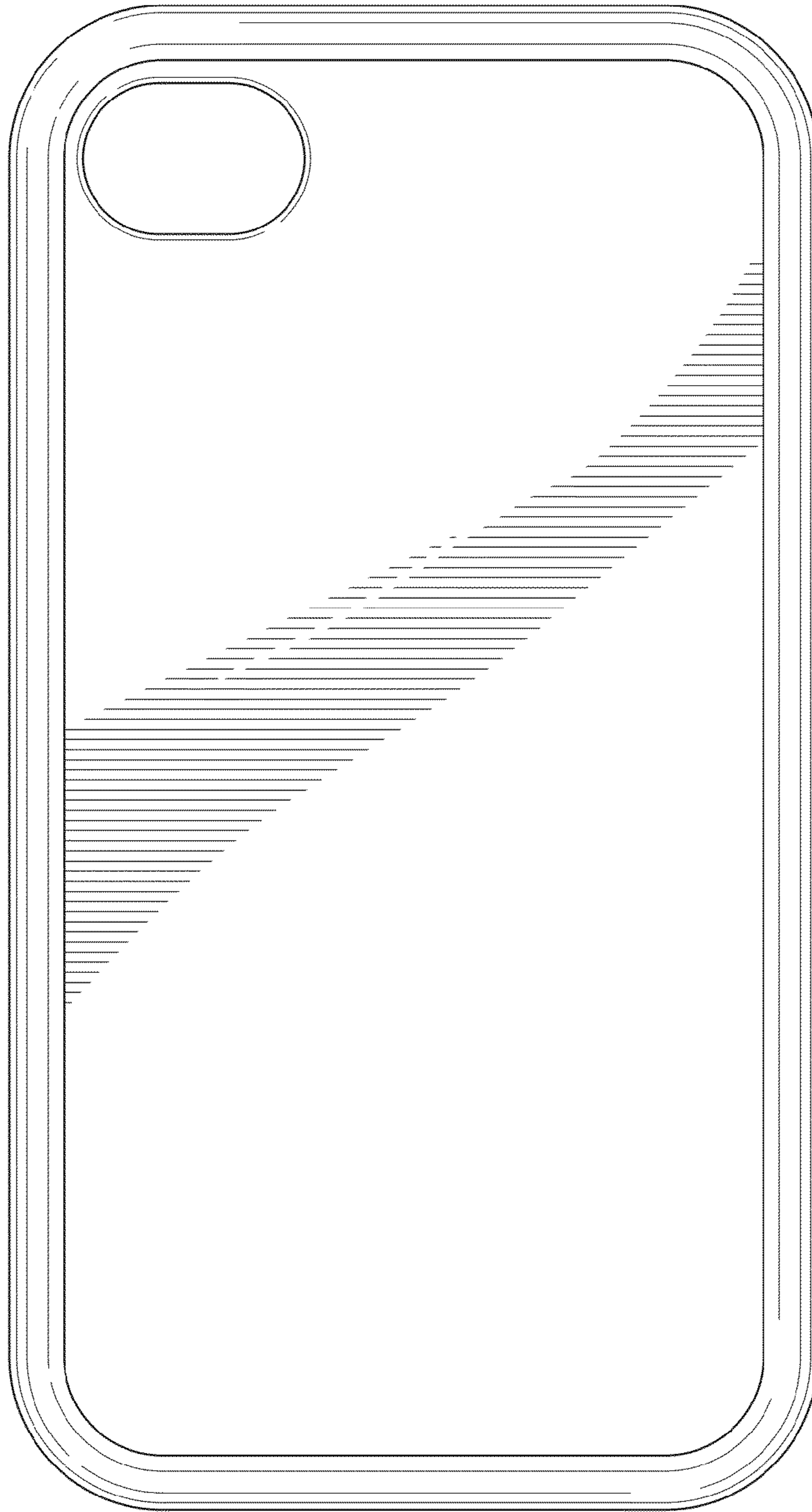
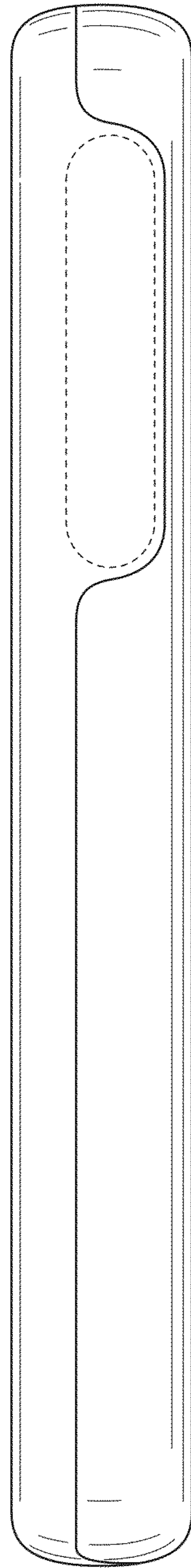


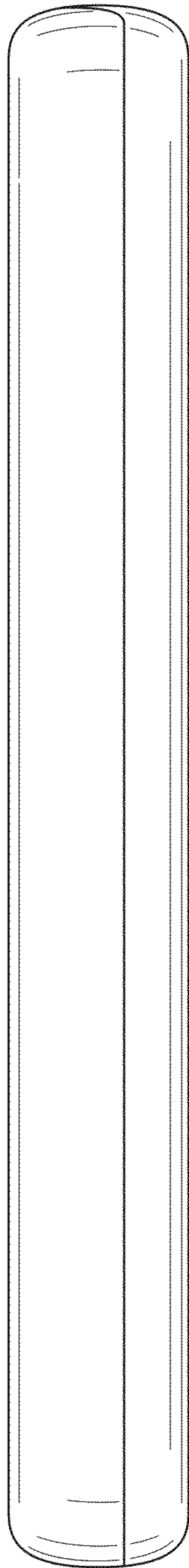
FIG. 9



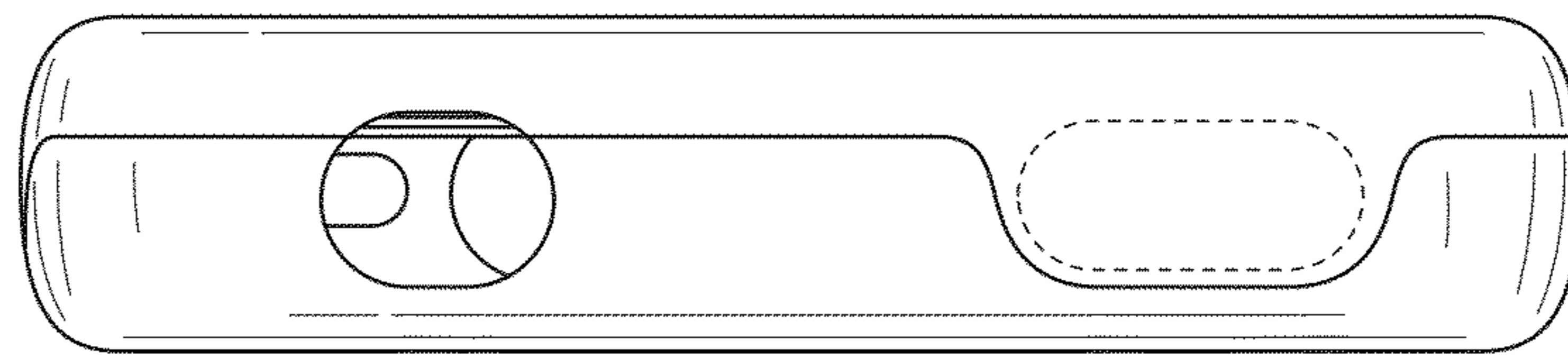
**FIG. 10**



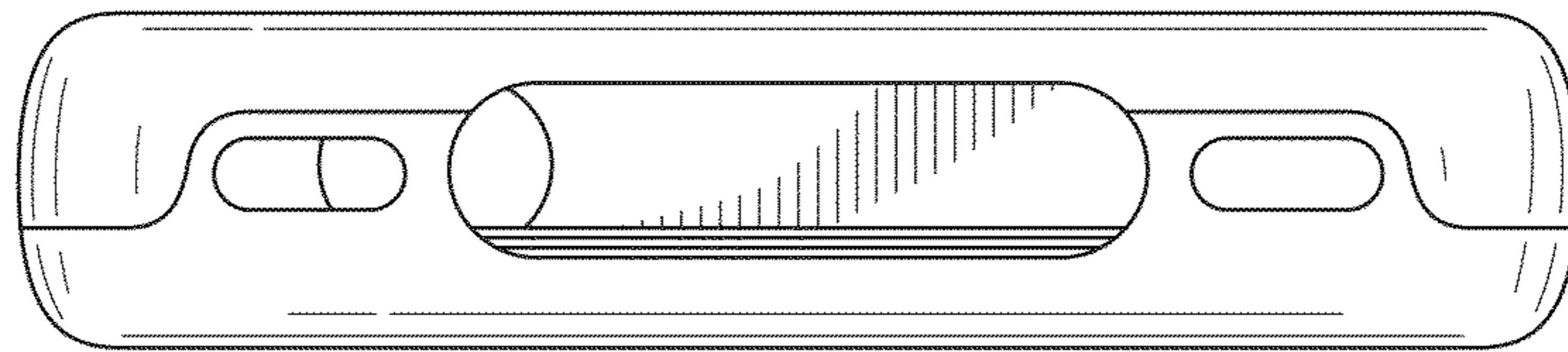
**FIG. 11**



**FIG. 12**



**FIG. 13**



**FIG. 14**



FIG. 15

