



US00D712883S

(12) **United States Design Patent**
Birger

(10) **Patent No.:** **US D712,883 S**

(45) **Date of Patent:** **** Sep. 9, 2014**

(54) **EARPHONE**

(71) Applicant: **Johan Birger**, Malmö (SE)

(72) Inventor: **Johan Birger**, Malmö (SE)

(73) Assignee: **GN Netcom A/S** (DK)

(**) Term: **14 Years**

(21) Appl. No.: **29/460,301**

(22) Filed: **Jul. 9, 2013**

(30) **Foreign Application Priority Data**

Jan. 21, 2013 (EM) 002169334-0001

Jan. 21, 2013 (EM) 002169334-0002

(51) **LOC (10) Cl.** **14-01**

(52) **U.S. Cl.**
USPC **D14/223**

(58) **Field of Classification Search**
CPC H04R 1/10
USPC D14/223, 205; 181/129, 130, 135;
379/430, 431; 381/380, 381, 328;
455/90.3, 575.1
See application file for complete search history.

(56) **References Cited**

U.S. PATENT DOCUMENTS

2,804,932 A * 9/1957 Bedard 181/132
4,617,431 A * 10/1986 Scott et al. 381/344

D468,300 S * 1/2003 Boesen D14/223
D495,684 S * 9/2004 Hirano D14/223
D495,685 S * 9/2004 Hirano D14/223
D504,673 S * 5/2005 Dyer et al. D14/205
7,092,543 B1 * 8/2006 Mahoney et al. 381/328
D532,770 S * 11/2006 Engstrom et al. D14/205
D563,945 S * 3/2008 Johns et al. D14/205
D597,084 S * 7/2009 Gondo D14/223
D641,011 S * 7/2011 Gondo D14/223
D653,235 S * 1/2012 McManigal D14/205
D664,523 S * 7/2012 Naitou D14/223
D667,817 S * 9/2012 Otani D14/223
D695,720 S * 12/2013 Chee D14/223
D695,726 S * 12/2013 Balloch et al. D14/240

* cited by examiner

Primary Examiner — Paula Greene

(74) *Attorney, Agent, or Firm* — Altera Law Group, LLC

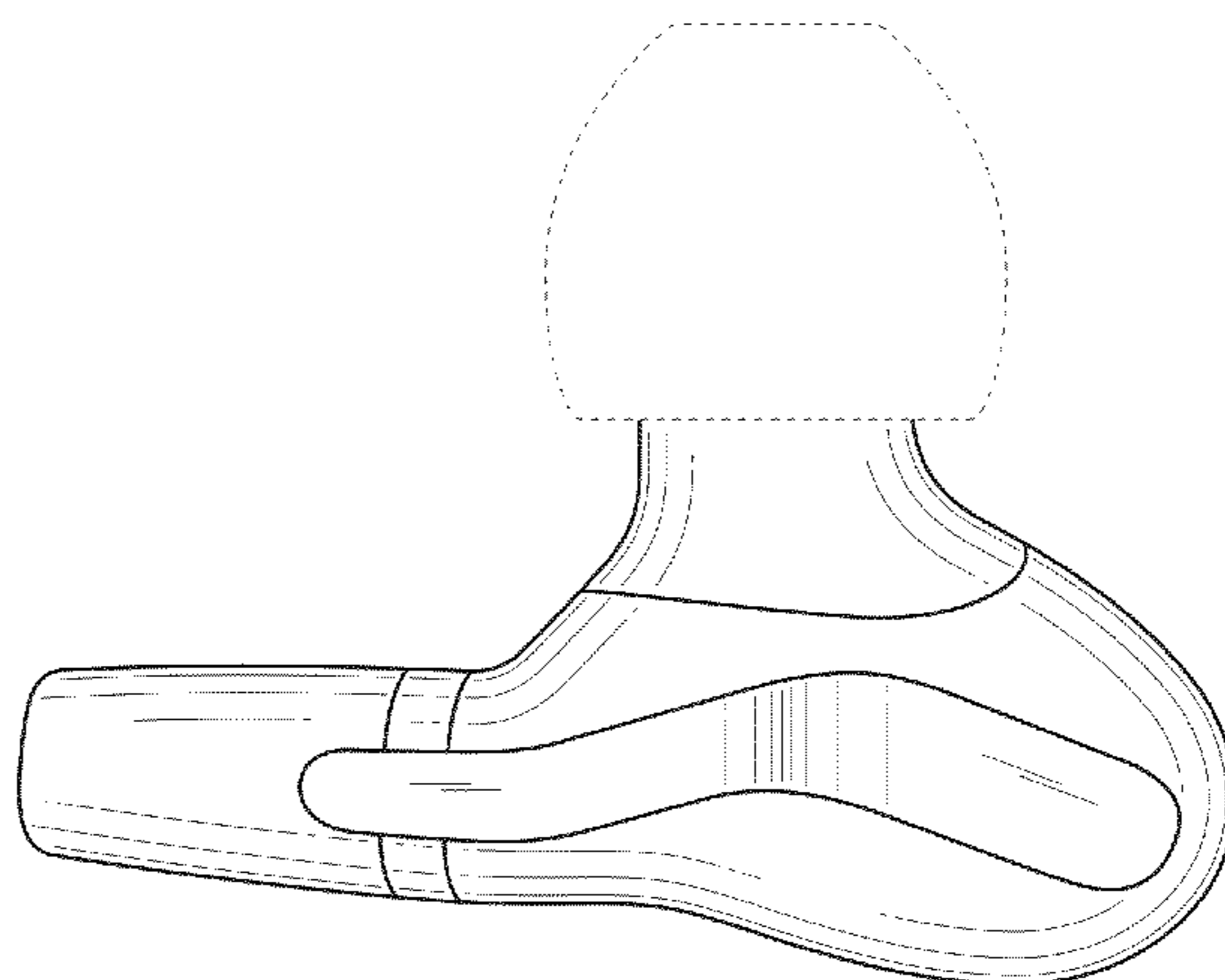
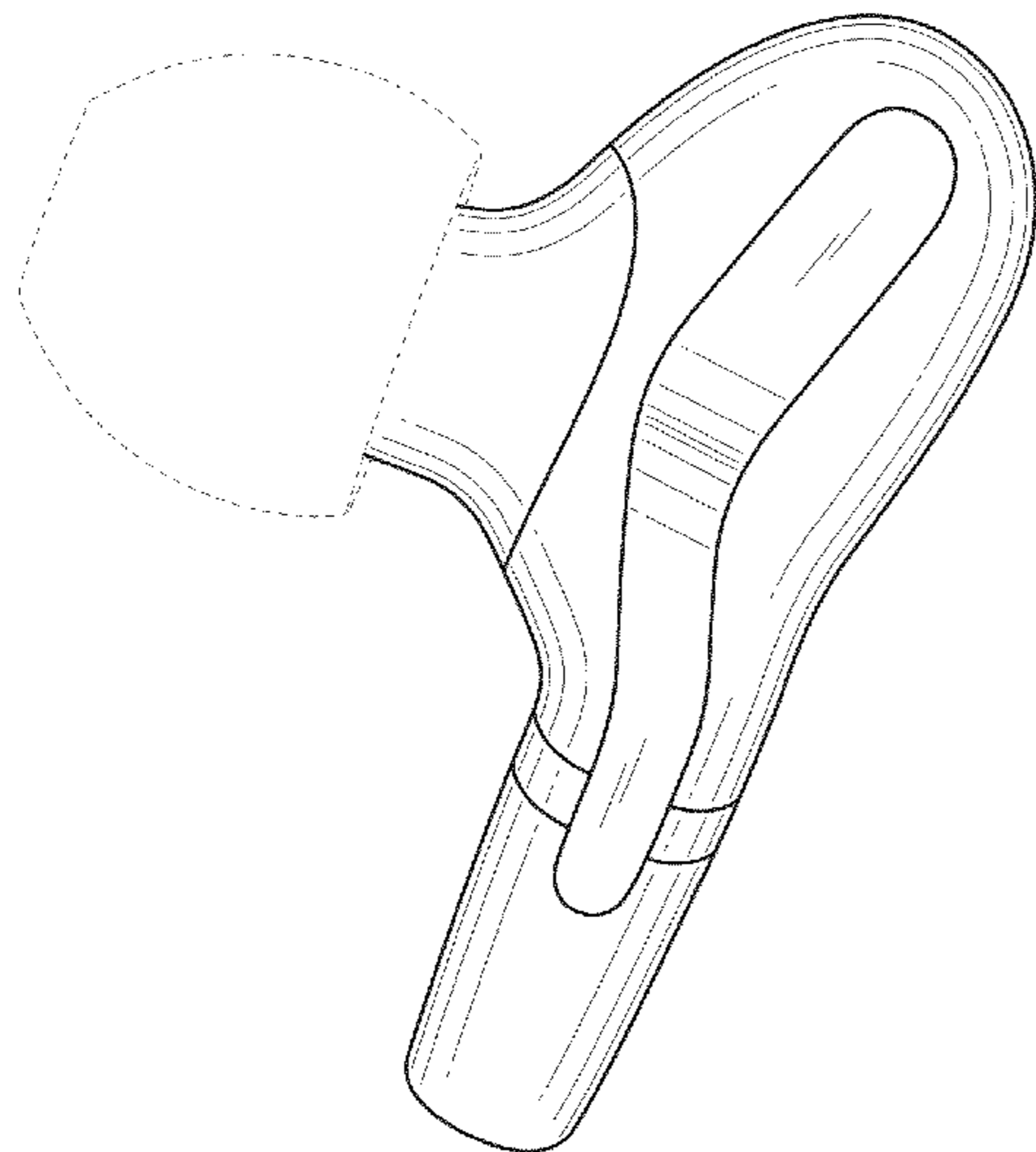
(57) **CLAIM**

The ornamental design for an earphone, as shown and described.

DESCRIPTION

FIG. 1 is a side plan view of the earphone.
FIG. 2 is another side view thereof.
FIG. 3 is the other side view thereof.
FIG. 4 is a side plan view thereof.
FIG. 5 is another side plan view thereof.
FIG. 6 is a top view thereof; and,
FIG. 7 is a bottom view thereof.
The broken lines form no part of the claimed design.

1 Claim, 4 Drawing Sheets



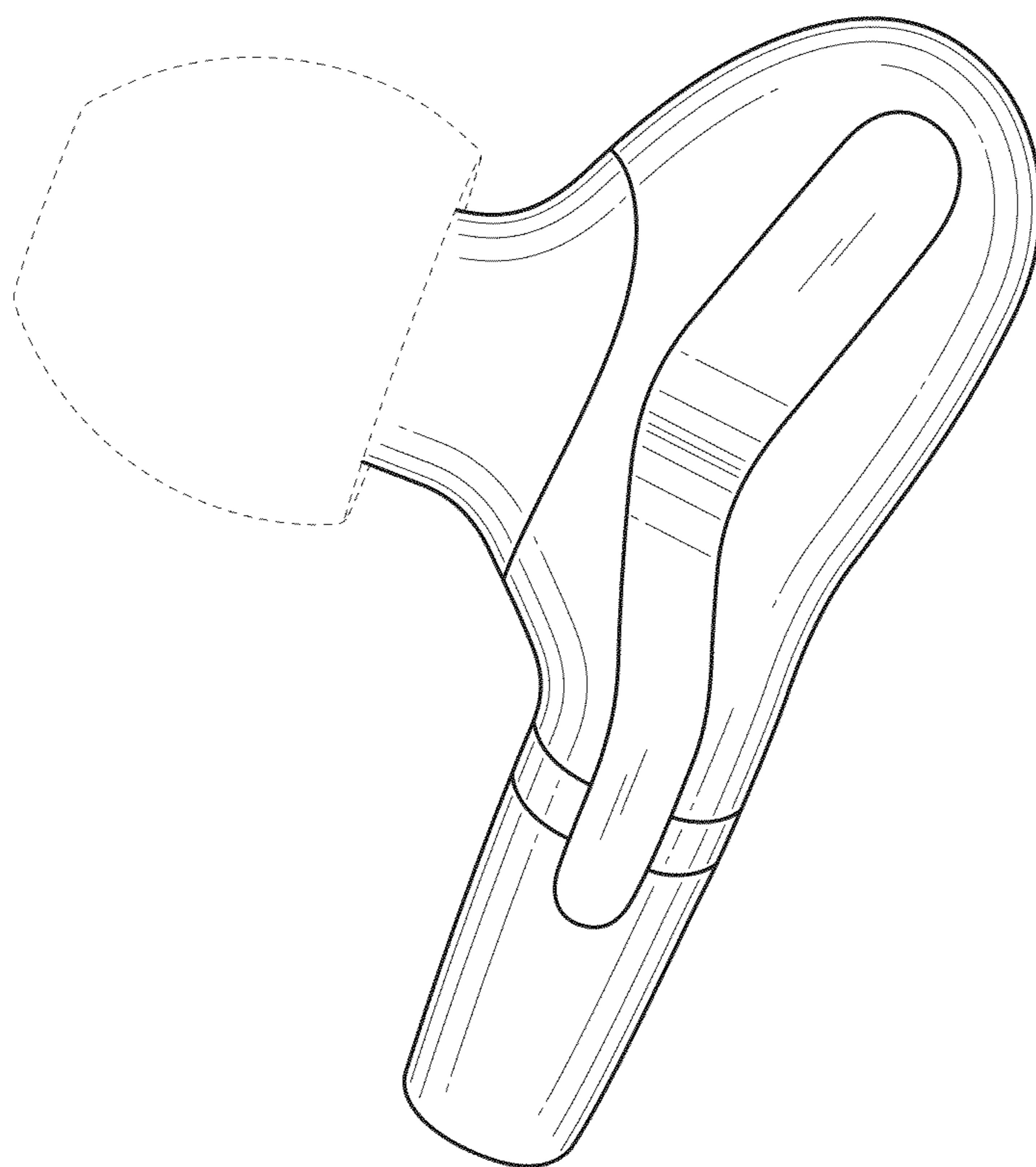


Fig. 1

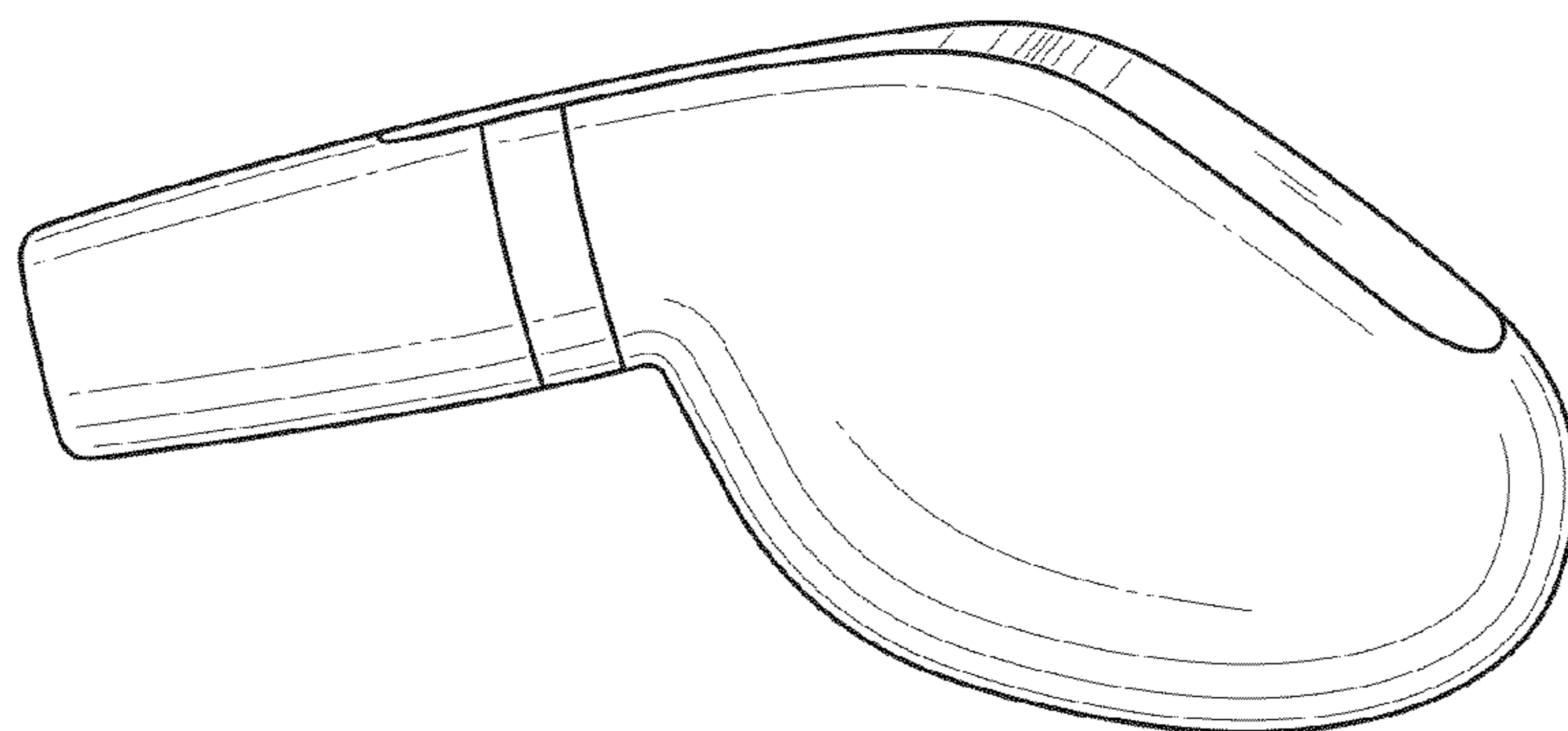


Fig. 2

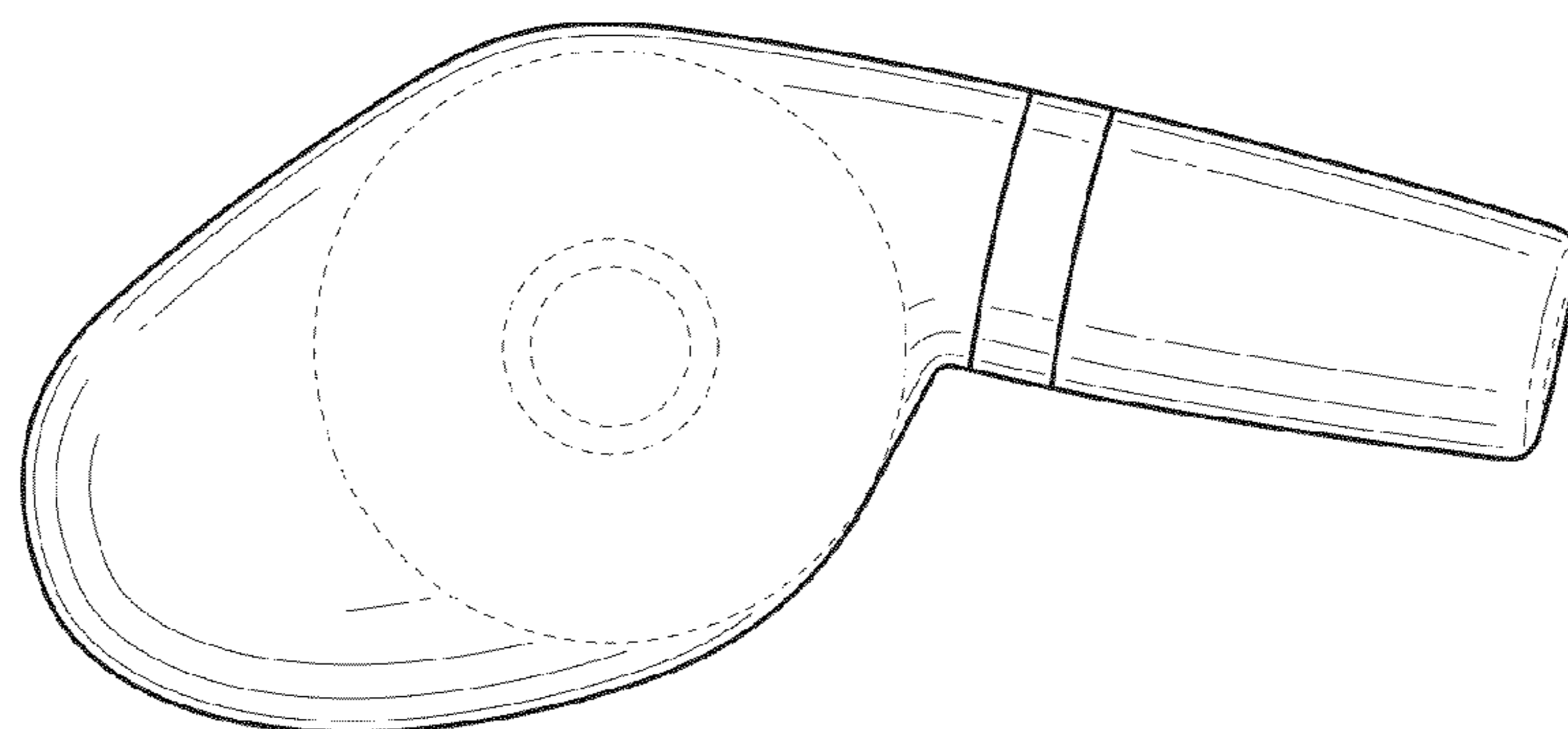


Fig. 3

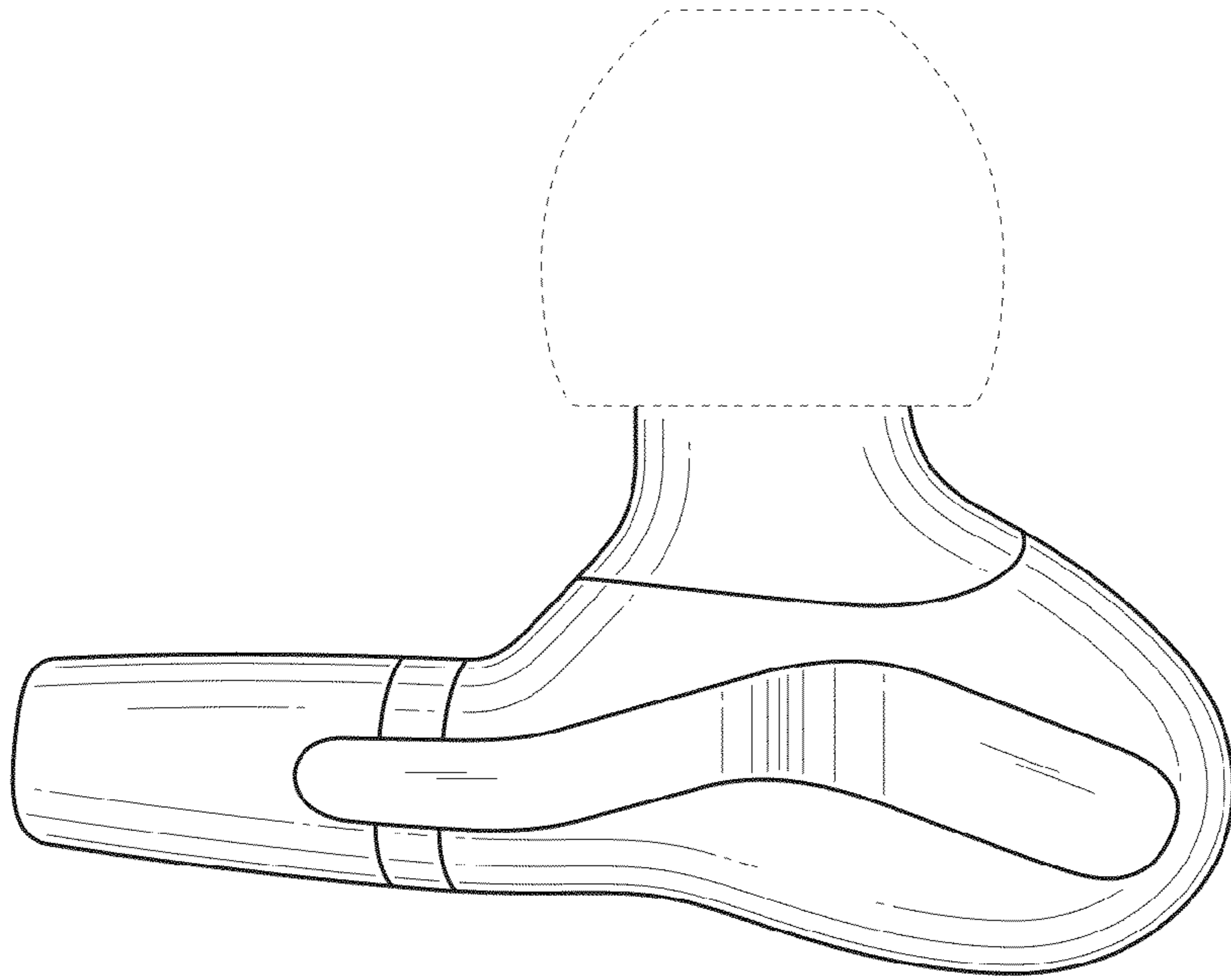


Fig. 4

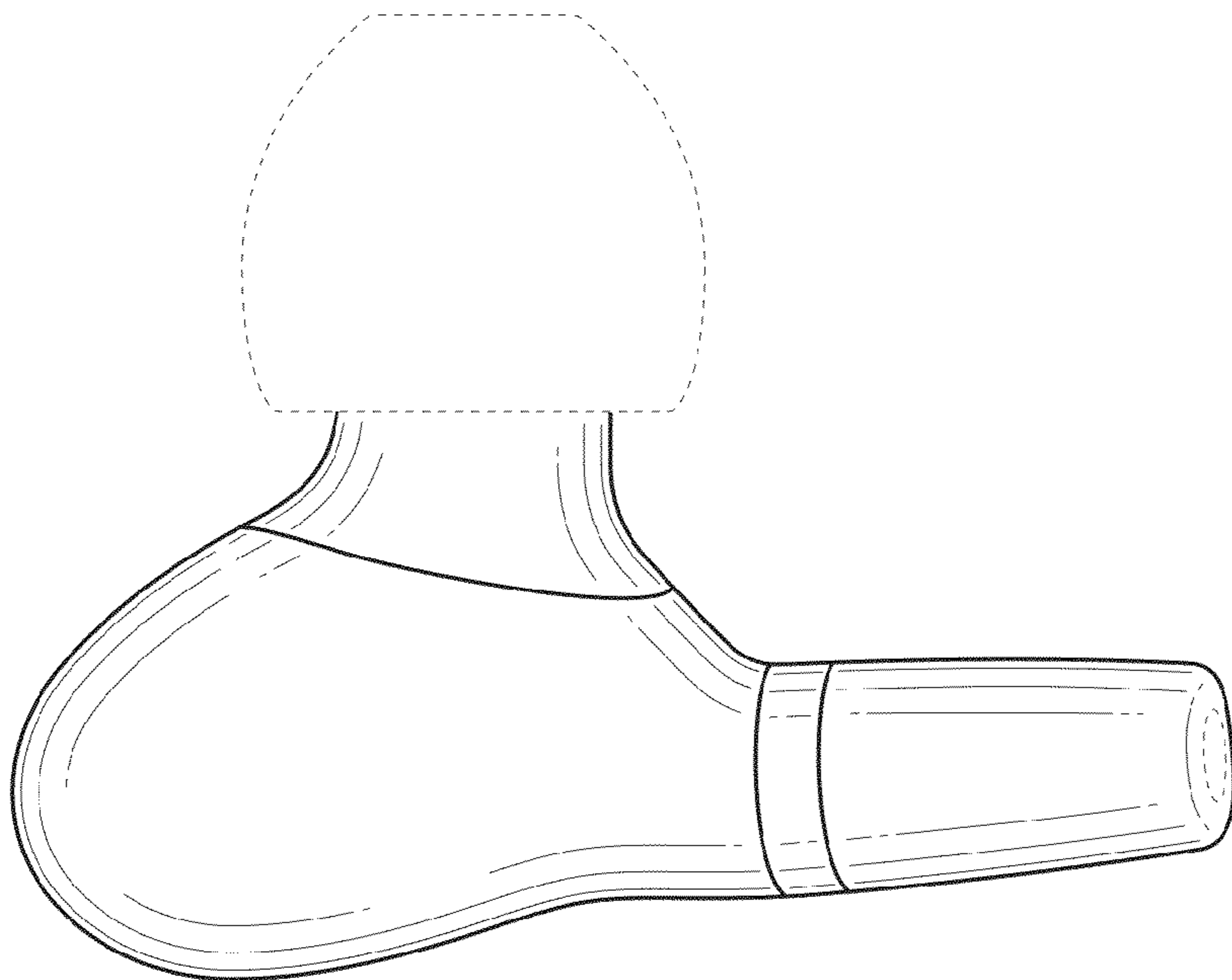


Fig. 5

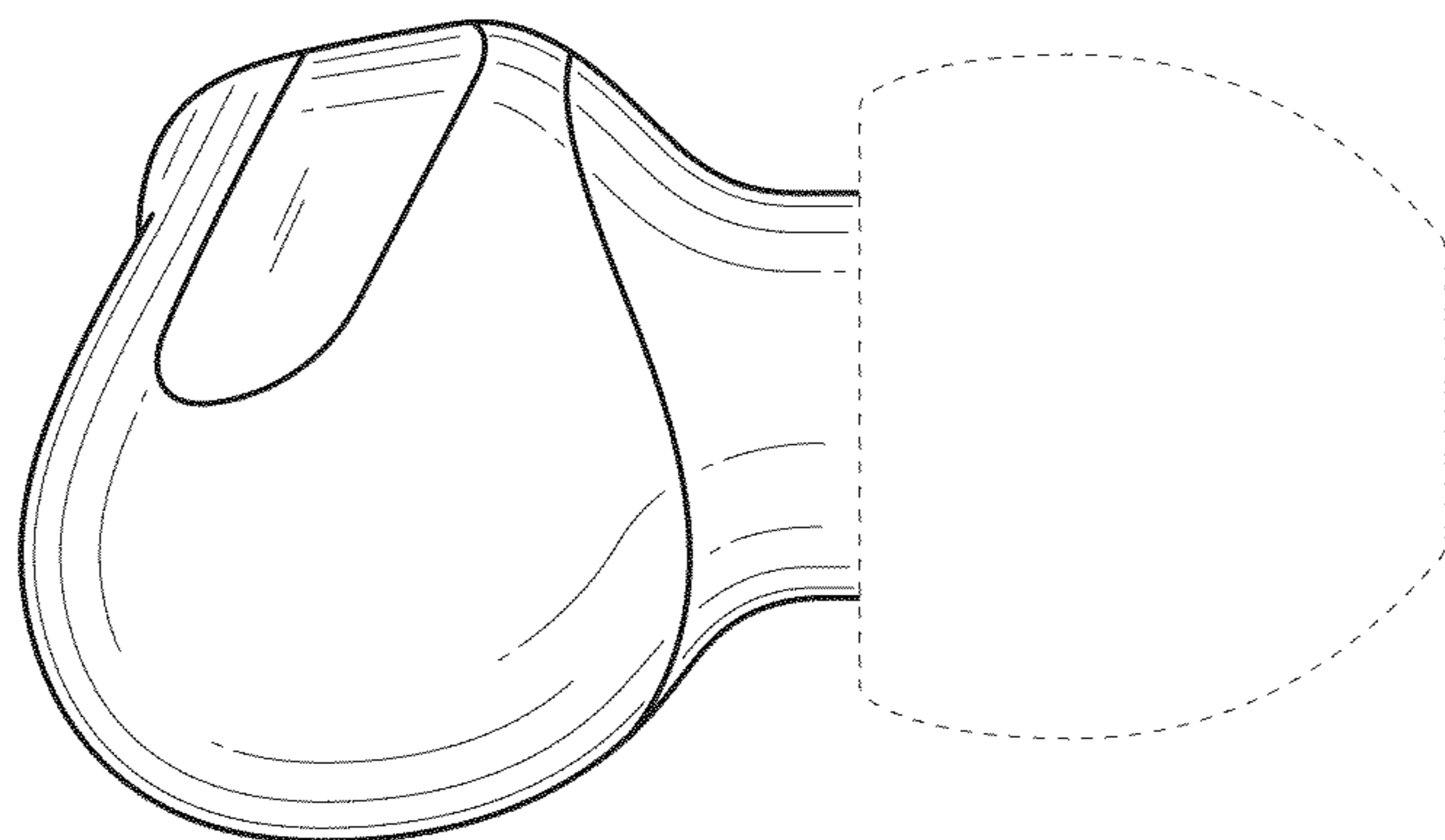


Fig. 6

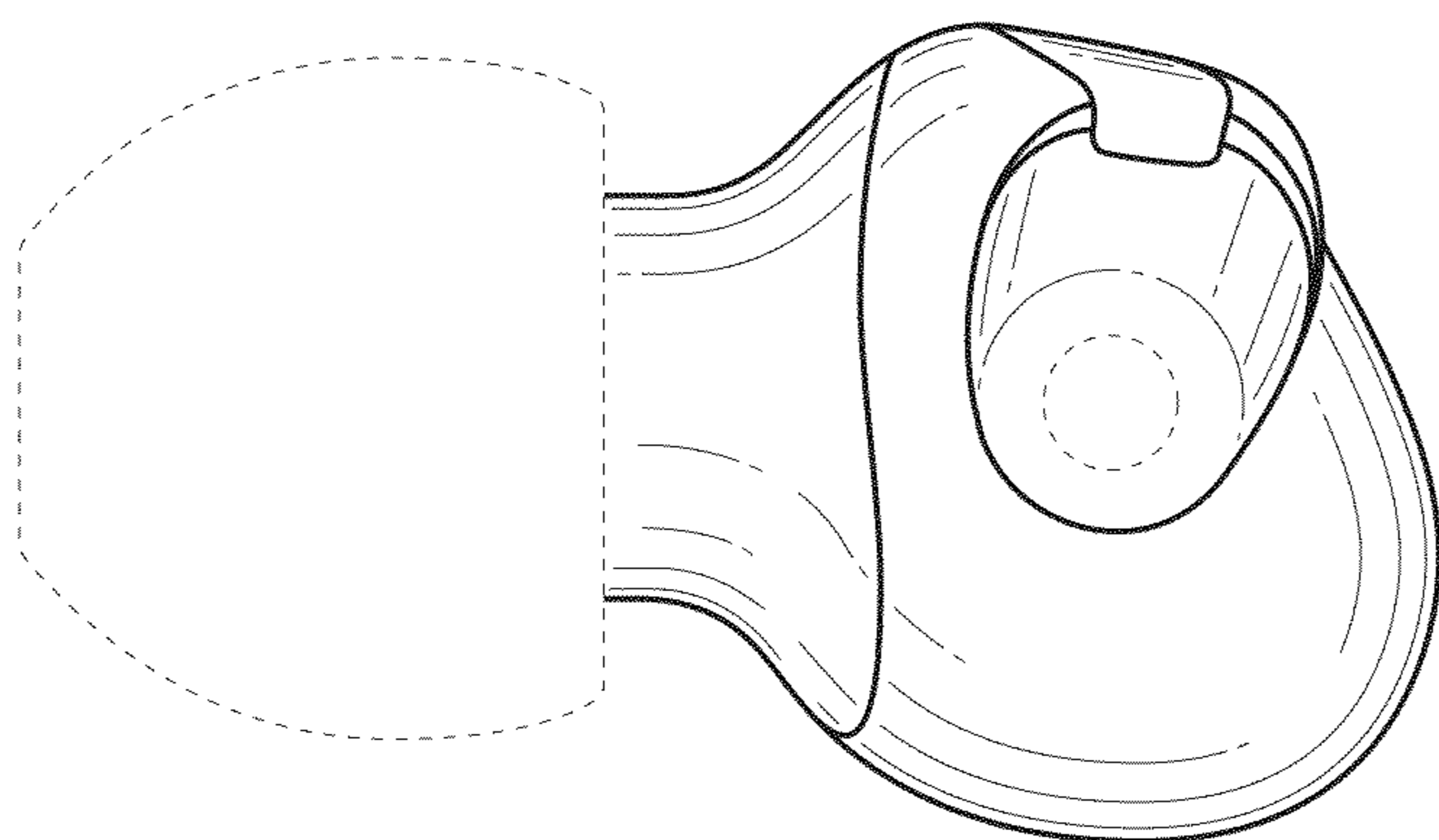


Fig. 7